

US00D500536S

(12) **United States Design Patent**
Broberg

(10) **Patent No.:** **US D500,536 S**
(45) **Date of Patent:** **** Jan. 4, 2005**

(54) **FLEXIBLE HOLDER FOR CLIPS USED WITH A RADIO CONTROLLED VEHICLE**

6,540,583 B1 * 4/2003 Hoeting et al. 446/431
6,582,275 B1 * 6/2003 Lai 446/470

(75) Inventor: **James E. Broberg**, Crystal Lake, IL (US)

* cited by examiner

Primary Examiner—Raphael Barkai

(73) Assignee: **Du-Bro Products, Inc.**, Wauconda, IL (US)

(74) *Attorney, Agent, or Firm*—Mathew R. P. Perrone, Jr.

(**) Term: **14 Years**

(57) **CLAIM**

The ornamental design for a flexible holder for clips used with a radio controlled vehicle, as shown and described.

(21) Appl. No.: **29/188,965**

DESCRIPTION

(22) Filed: **Aug. 27, 2003**

(51) **LOC (7) Cl.** **21-01**

(52) **U.S. Cl.** **D21/561**

(58) **Field of Search** D21/548–560,
D21/533, 561–562; 446/431, 454–456,
462, 465–466, 469–471; 434/29

FIG. 1 is a top perspective view of a flexible holder for clips used with a radio controlled vehicle showing my new design with a generic vehicle shown in phantom;

FIG. 2 is a top plan view thereof;

FIG. 3 is a bottom plan view thereof and a reverse view of FIG. 2;

FIG. 4 is an end plan view thereof with the reverse view of FIG. 4 having a same appearance; and,

FIG. 5 is a side view thereof the reverse view of FIG. 5 having a same appearance.

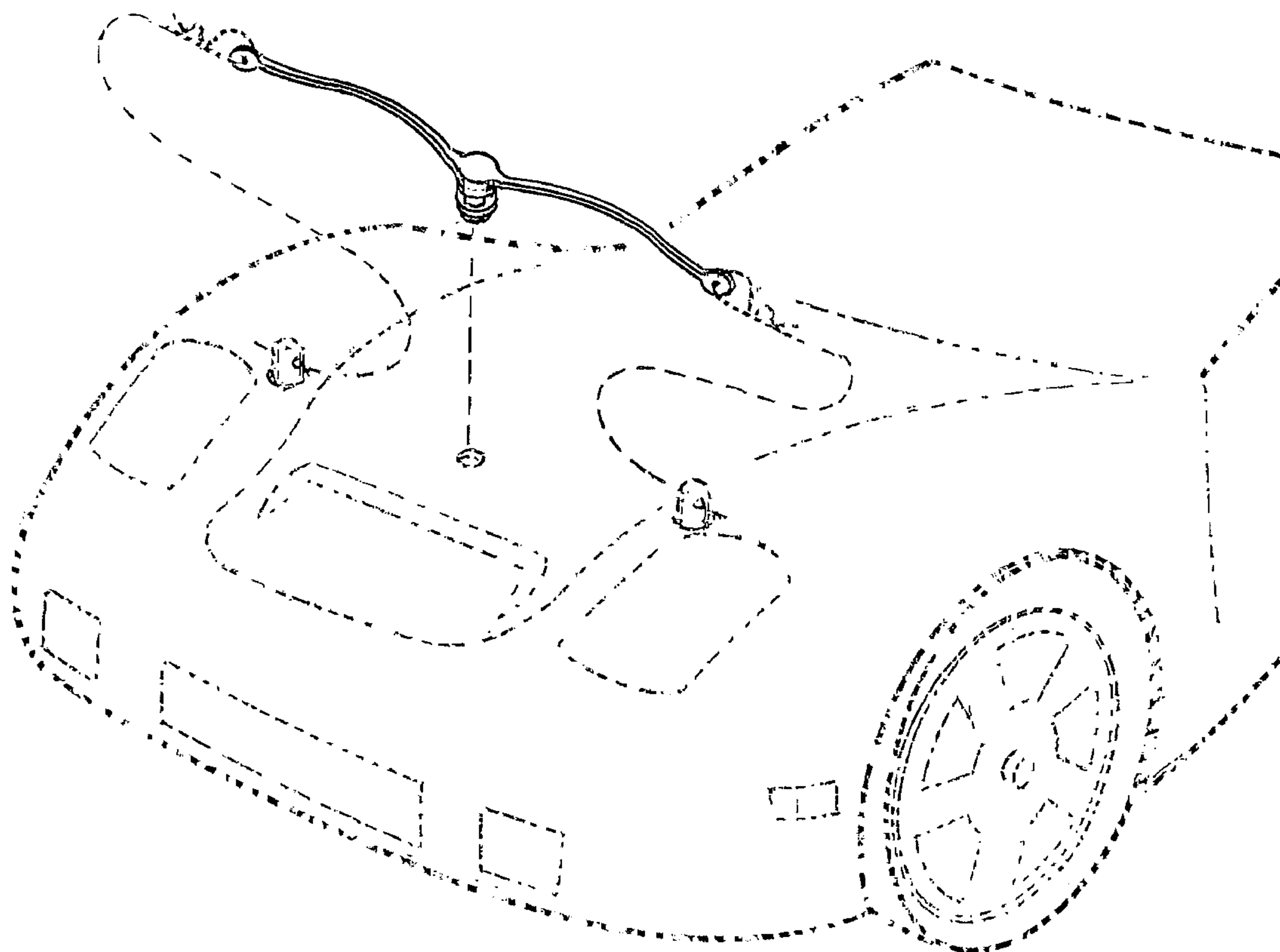
The broken lines shown in FIG. 1 are for illustrative purposes only and form no part of the claimed design.

(56) **References Cited**

U.S. PATENT DOCUMENTS

4,224,762 A * 9/1980 McCaslin 446/456
5,482,494 A * 1/1996 Ishimoto 446/456
5,833,514 A * 11/1998 Eaton 446/462
6,293,798 B1 * 9/2001 Boyle et al. 434/29

1 Claim, 2 Drawing Sheets



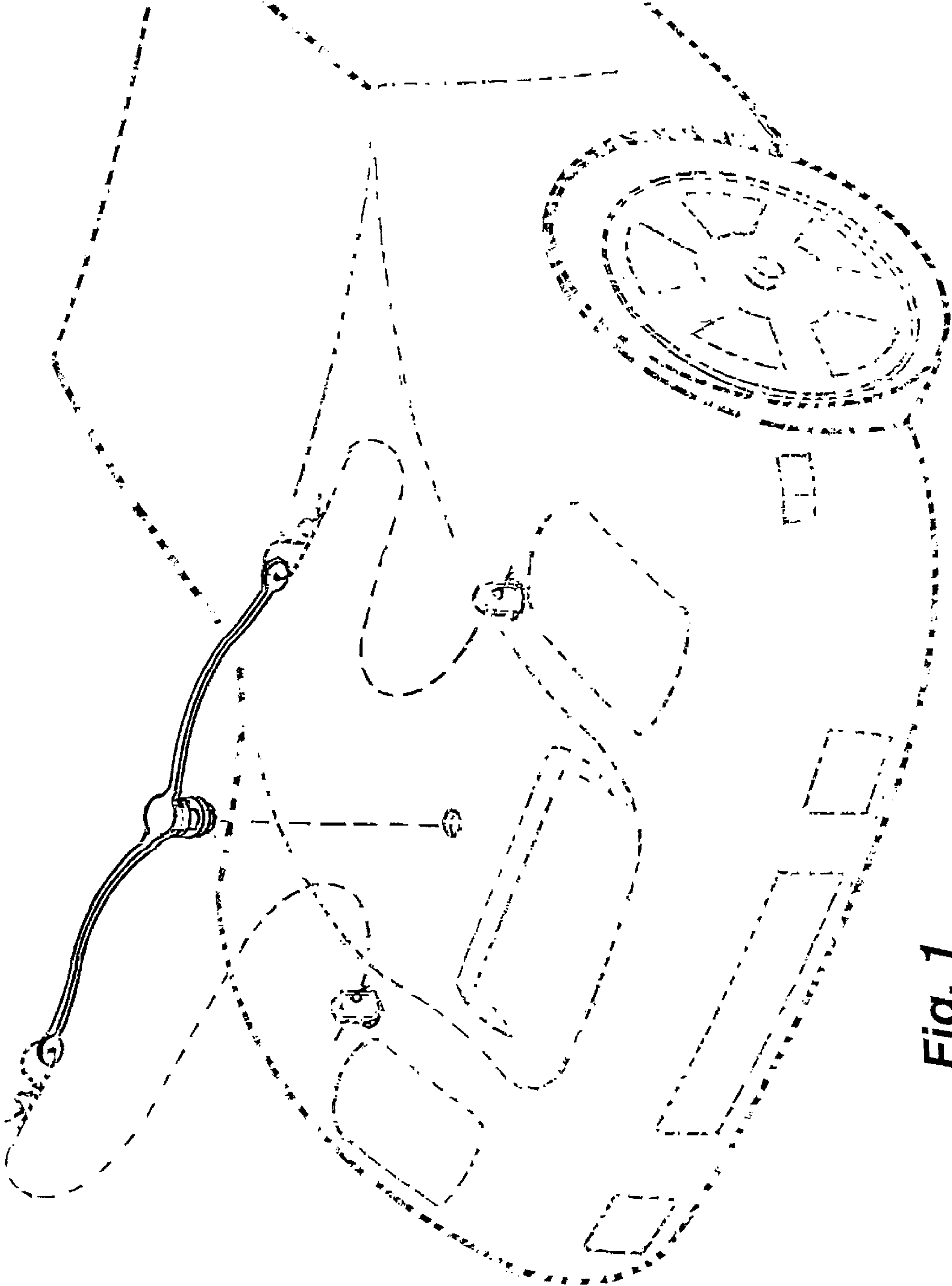


Fig. 1



Fig. 2

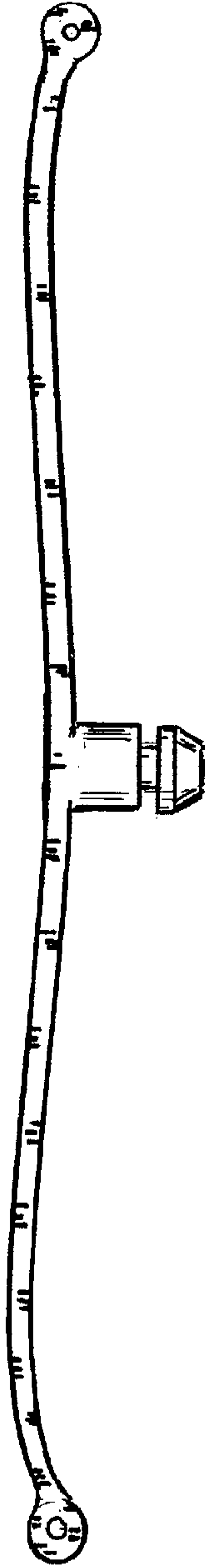


Fig. 5



Fig. 4



Fig. 3