

US00D500532S

(12) **United States Design Patent**
Friedman

(10) **Patent No.:** **US D500,532 S**
(45) **Date of Patent:** **** Jan. 4, 2005**

(54) **HOOP PROPELLING TOY**

(76) **Inventor:** **Solomon Friedman**, 50 Greaton Ave.,
Providence, RI (US) 02906

(**) **Term:** **14 Years**

(21) **Appl. No.:** **29/183,312**

(22) **Filed:** **Jun. 10, 2003**

(51) **LOC (7) Cl.** **21-01**

(52) **U.S. Cl.** **D21/457**

(58) **Field of Search** D21/457; 446/411-413,
446/450-453, 240; 273/126 R, 129 L

(56) **References Cited**

U.S. PATENT DOCUMENTS

3,001,324 A *	9/1961	Walker	446/450
3,531,889 A *	10/1970	Poole	446/450
3,731,425 A *	5/1973	Streeter	446/450
4,052,814 A *	10/1977	Hall	446/450
D400,612 S *	11/1998	Rubin	D21/796
5,989,097 A *	11/1999	Lebedz	446/450

* cited by examiner

Primary Examiner—Philip S. Hyder
Assistant Examiner—C. Tuttle

(74) *Attorney, Agent, or Firm*—Salter & Michaelson

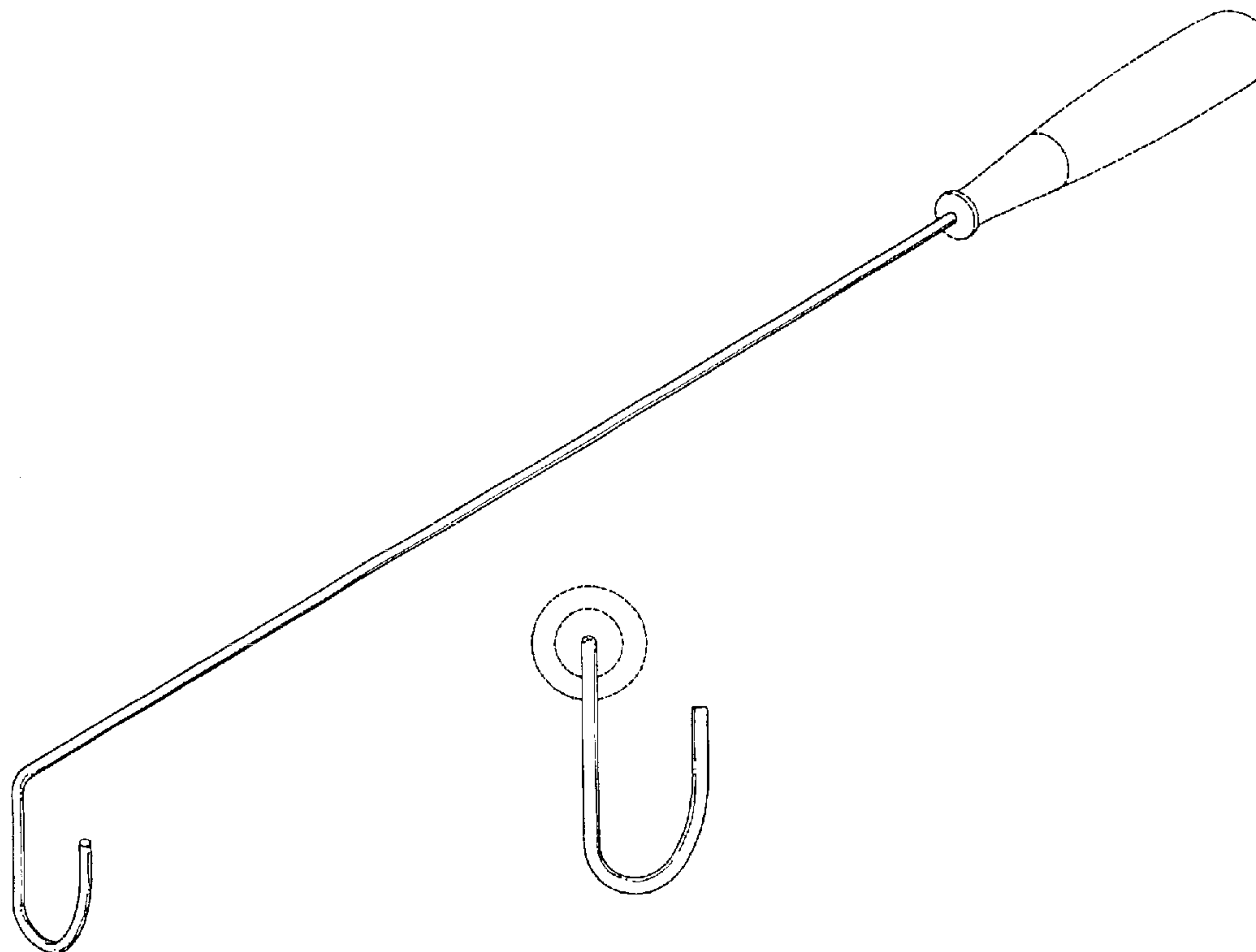
(57) **CLAIM**

The ornamental design for a hoop propelling toy, as shown and described.

DESCRIPTION

FIG. 1 is a perspective view of a hoop propelling toy showing my new design;
FIG. 2 is a front elevational view thereof;
FIG. 3 is a rear elevational view thereof;
FIG. 4 is a right side elevational view thereof;
FIG. 5 is a left side elevational view thereof;
FIG. 6 is a top plan view thereof;
FIG. 7 is a bottom plan view thereof; and,
FIG. 8 is a perspective view showing the toy in use.
The portions shown in broken lines in FIGS. 1 through 8 are for information only and form no part of the claimed design. The design is shown partially broken away in FIGS. 2-7 for ease of illustration.

1 Claim, 5 Drawing Sheets



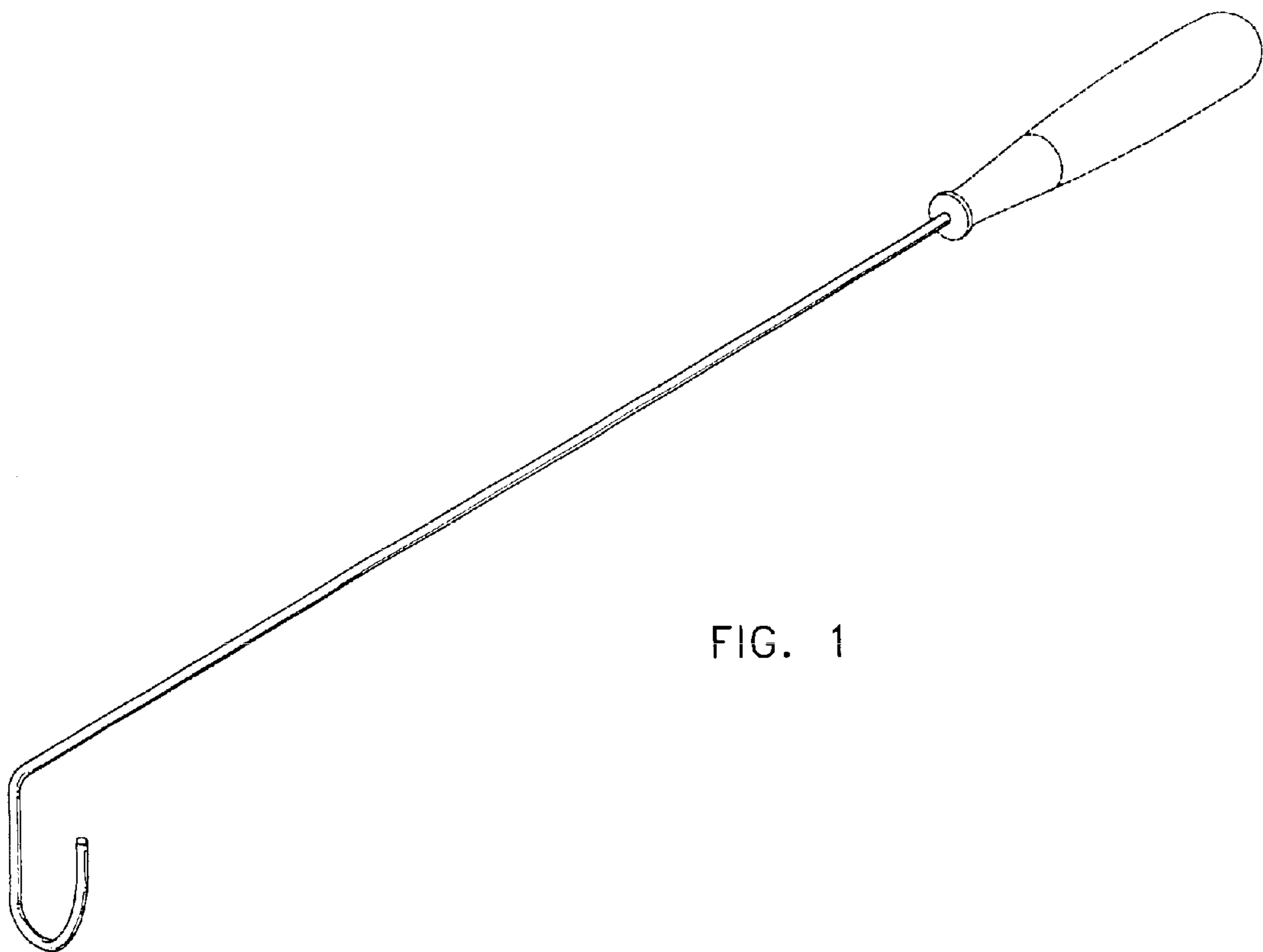


FIG. 1

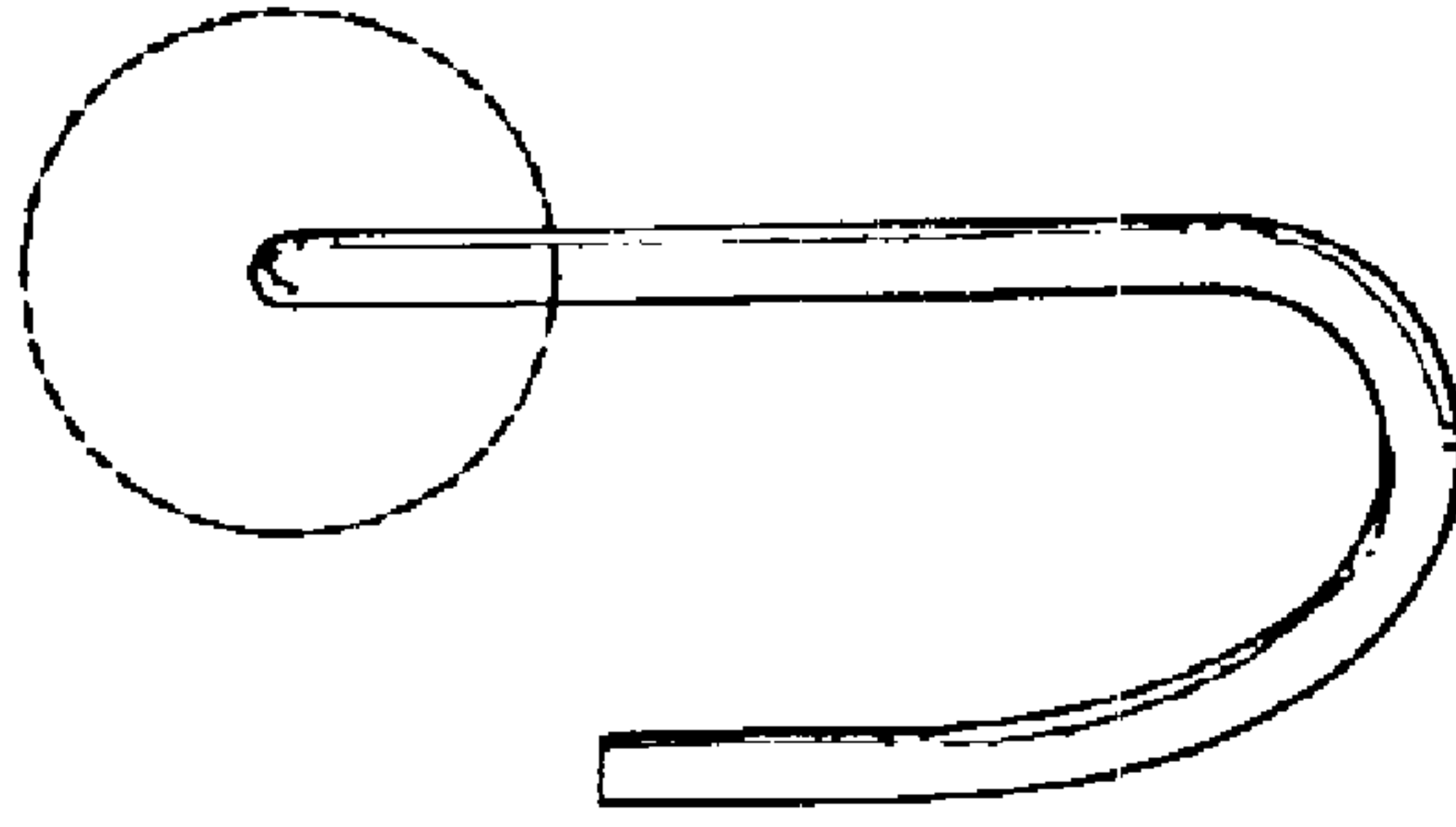


FIG. 3

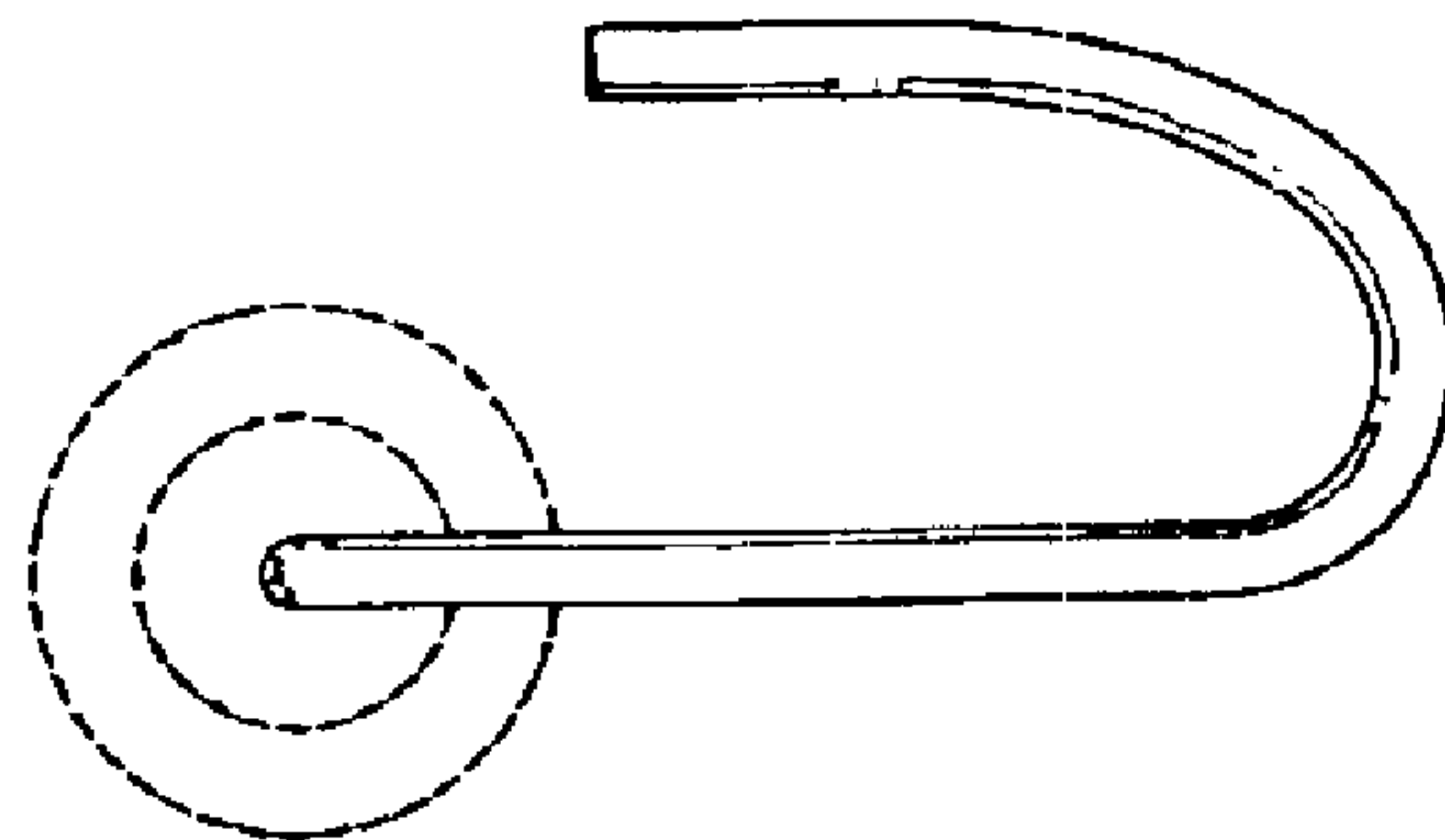


FIG. 2

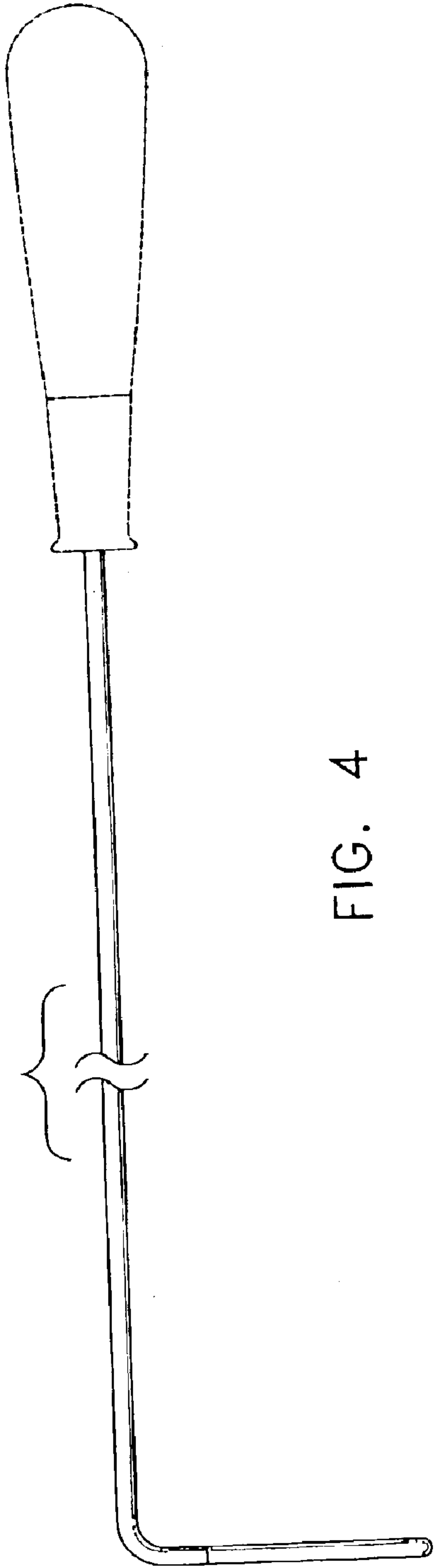


FIG. 4

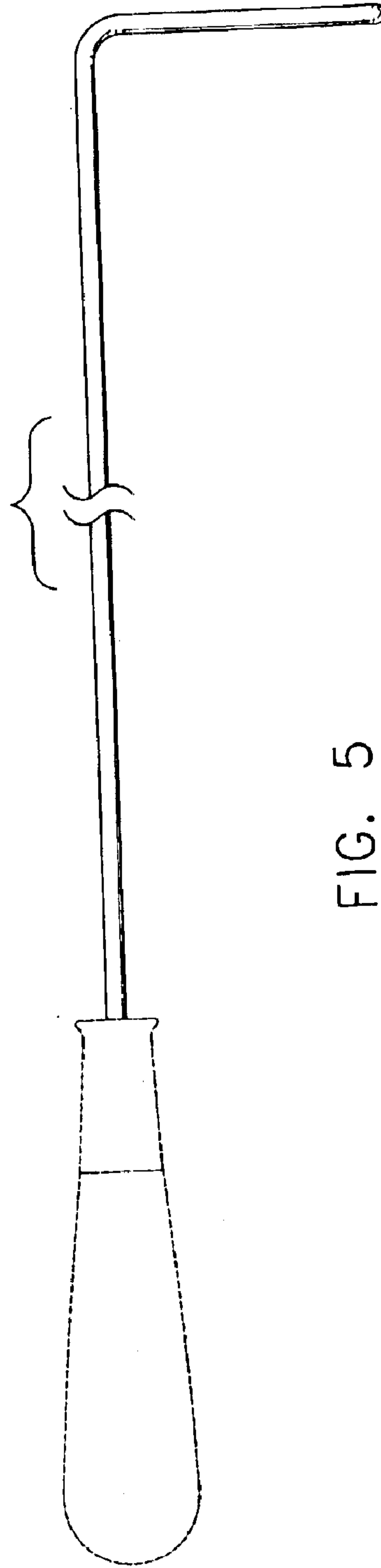


FIG. 5

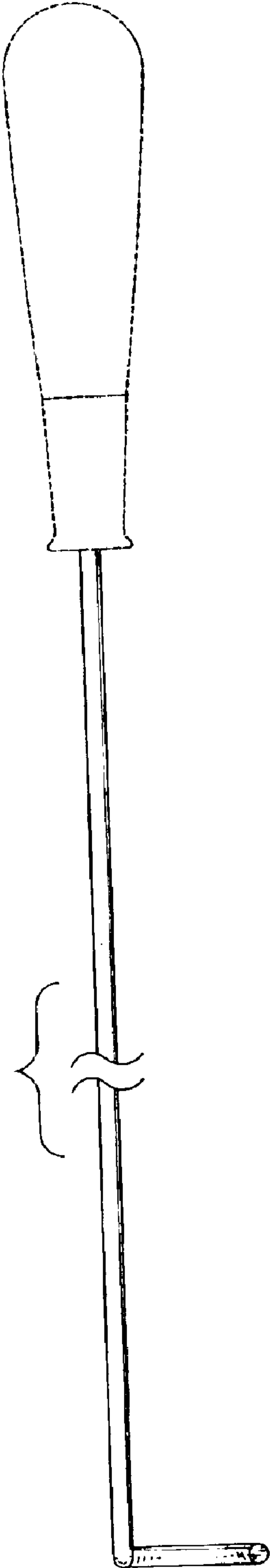


FIG. 6

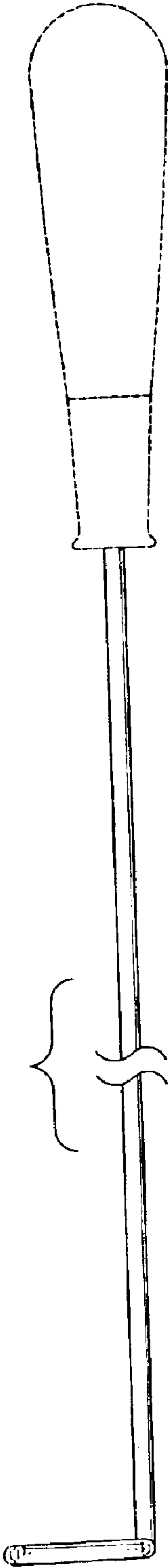


FIG. 7

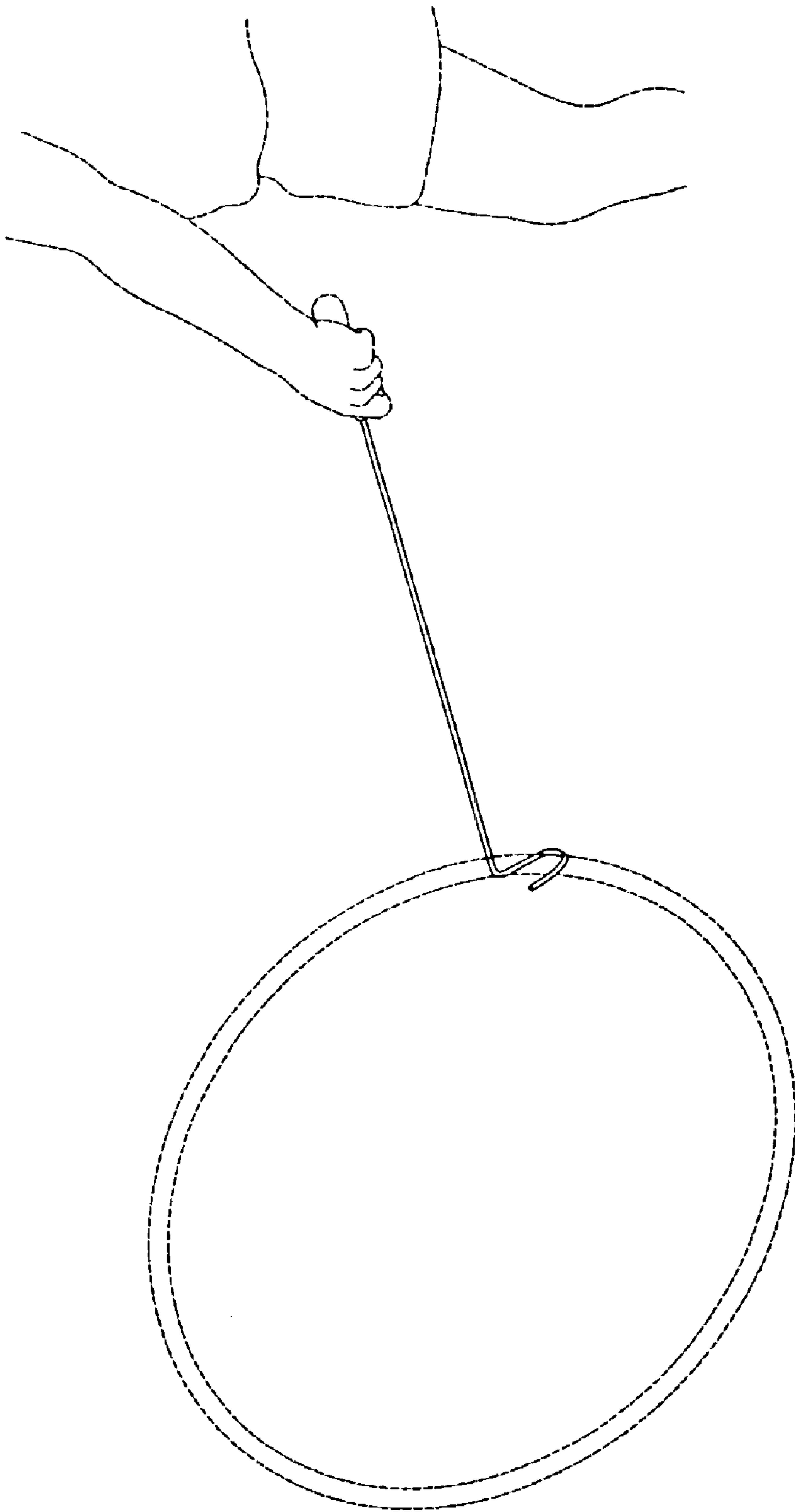


FIG. 8