

US00D500531S

(12) **United States Design Patent**  
**Stringfellow et al.**

(10) **Patent No.: US D500,531 S**

(45) **Date of Patent: \*\* Jan. 4, 2005**

(54) **BOAT SHAPED WAGON**

D478,943 S \* 8/2003 Kuelbs ..... D21/425  
D483,419 S \* 12/2003 Chiappetta et al. .... D21/425

(76) Inventors: **John Alan Stringfellow**, 110 Williams Ct., Mobile, AL (US) 36606; **Marie Jones Stringfellow**, 110 Williams Ct., Mobile, AL (US) 36606

\* cited by examiner

*Primary Examiner*—Raphael Barkai

(\*\*) Term: **14 Years**

(57) **CLAIM**

The ornamental design for the boat shaped wagon, as shown and described.

(21) Appl. No.: **29/178,927**

(22) Filed: **Apr. 3, 2003**

**DESCRIPTION**

(51) **LOC (7) Cl.** ..... **21-01**

(52) **U.S. Cl.** ..... **D21/425**

(58) **Field of Search** ..... D21/419-435,  
D21/534-536, 533, 542-547; D12/128-129,  
17, 19-20, 307; D9/309; D3/271; 446/440,  
451, 465; 280/87.01, 87.021, 87.041, 87.051,  
87.043, 773, 776, 47.36, 47.38, 47.371,  
47.35, 47.25-47.27; 135/88.01, 88.09, 96

FIG. 1 is a front perspective view of a boat shaped wagon showing our new design;

FIG. 2 is a front perspective view thereof; the opposite side being a mirror image;

FIG. 3 is a top plan view thereof;

FIG. 4 is a rear plane view thereof;

FIG. 5 is a left view with flip-up top with the handle in a secured upright position thereof; the opposite side being a mirror image;

FIG. 6 is a front view with flip-up top thereof;

FIG. 7 is a bottom plan view with the handle in a fold-under position thereof; and,

FIG. 8 is a top elevational view thereof.

The following elements have not been shown in all views for ease of illustration only: the top in FIGS. 2,3 and 4, the grip in FIGS. 1 and 2, the handle in FIG. 3 and the straps in FIGS. 1 and 2.

(56) **References Cited**

**U.S. PATENT DOCUMENTS**

D73,461 S \* 9/1927 Williamson ..... D21/425  
D113,231 S \* 2/1939 Kraeft ..... D21/425  
4,735,426 A \* 4/1988 McConnell ..... 280/87.01  
5,560,383 A \* 10/1996 Fuller ..... 135/88.01  
6,260,566 B1 \* 7/2001 LaFave et al. .... 280/47.35  
D447,522 S \* 9/2001 Ainsworth et al. .... D21/425  
D465,533 S \* 11/2002 Li ..... D21/427  
D466,953 S \* 12/2002 Ortiz ..... D21/425

**1 Claim, 5 Drawing Sheets**

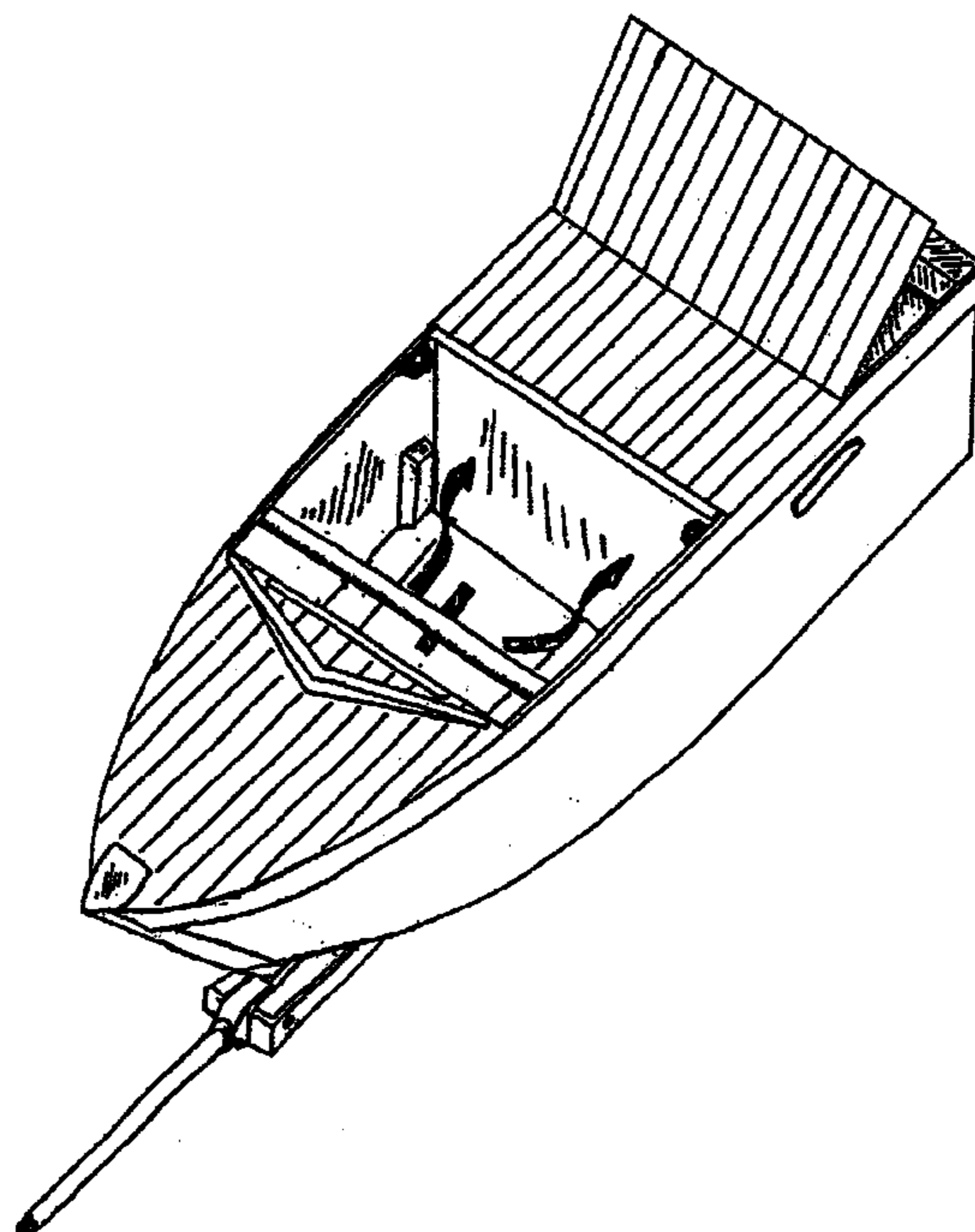


FIG. 1

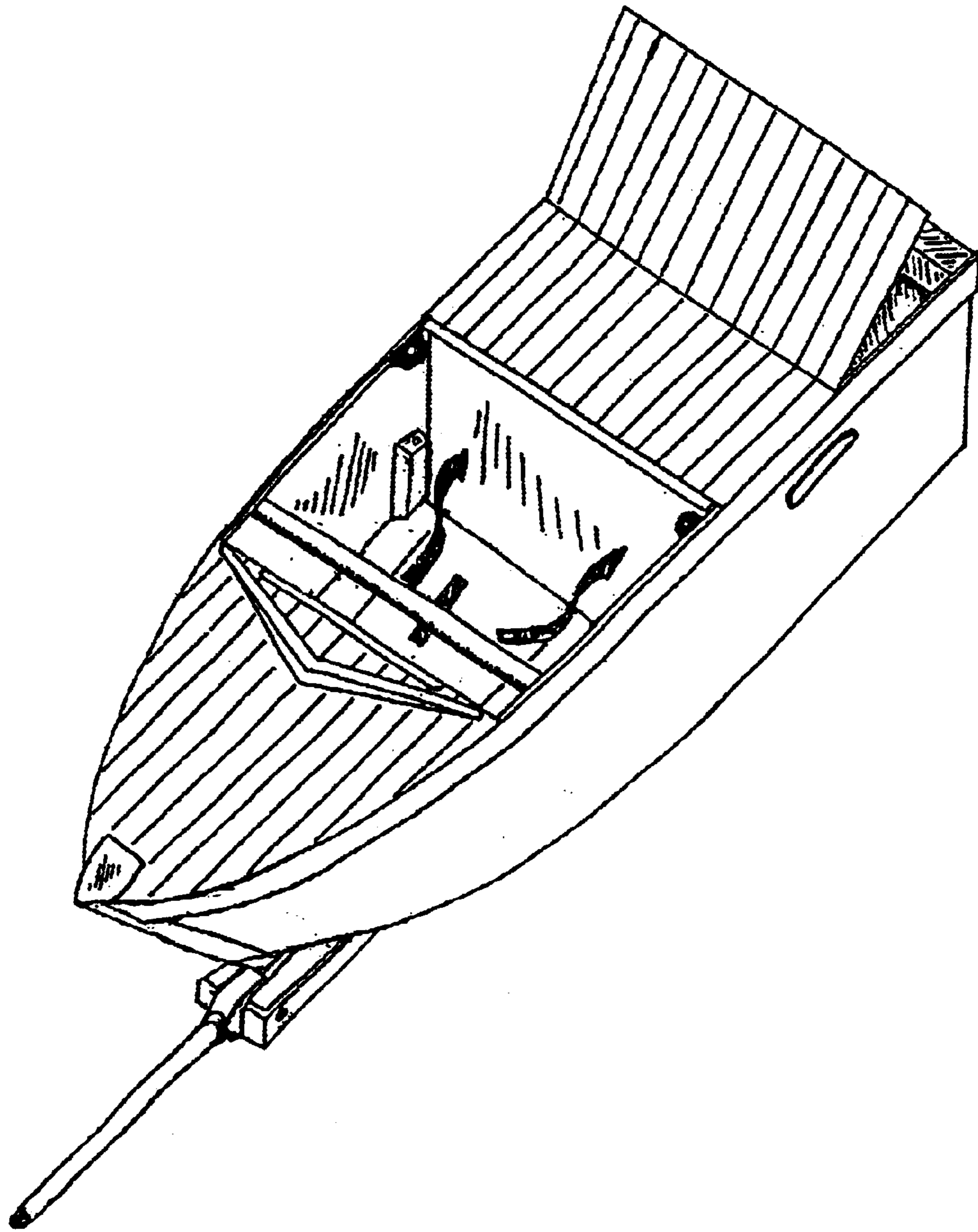


FIG. 2

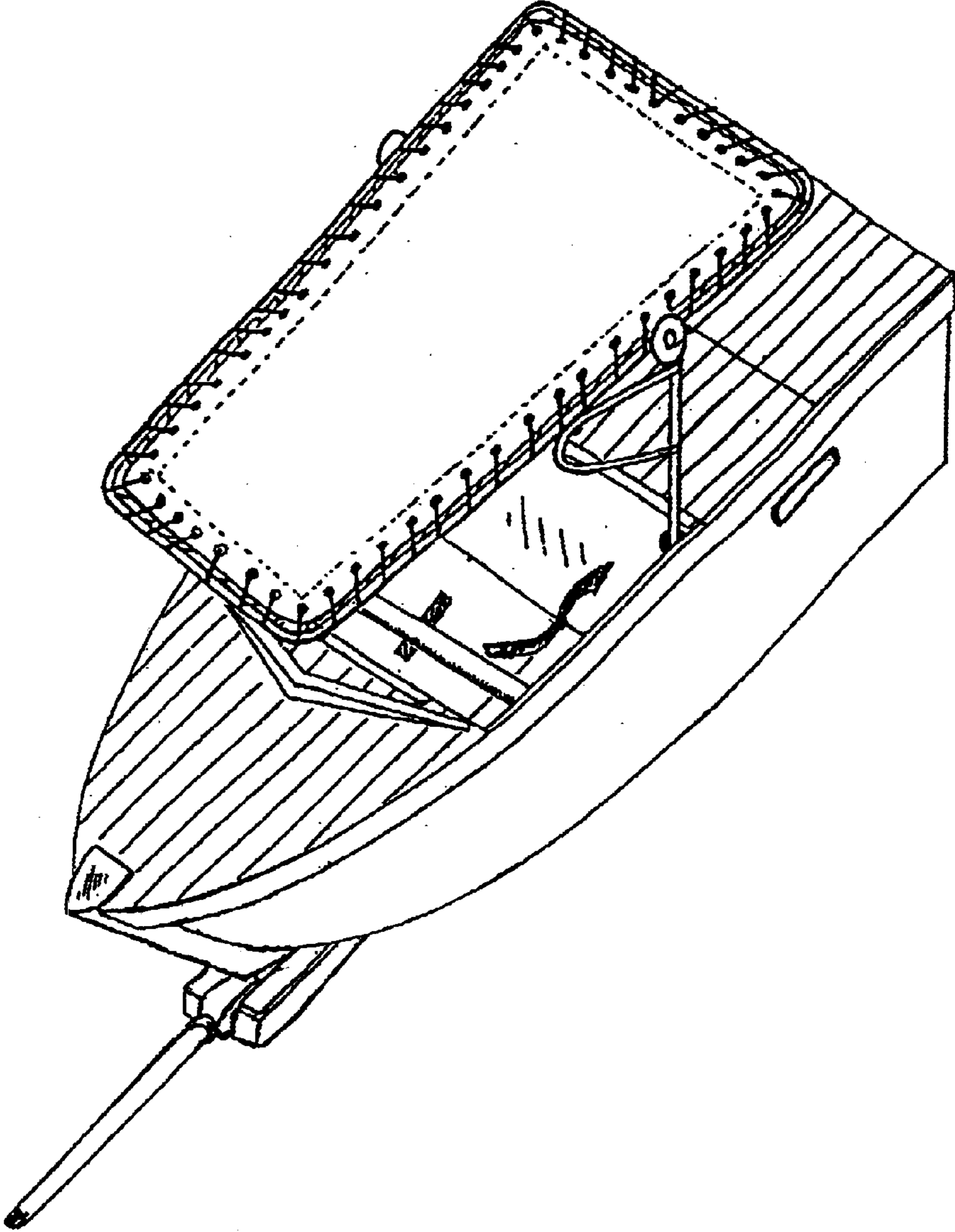


FIG. 3

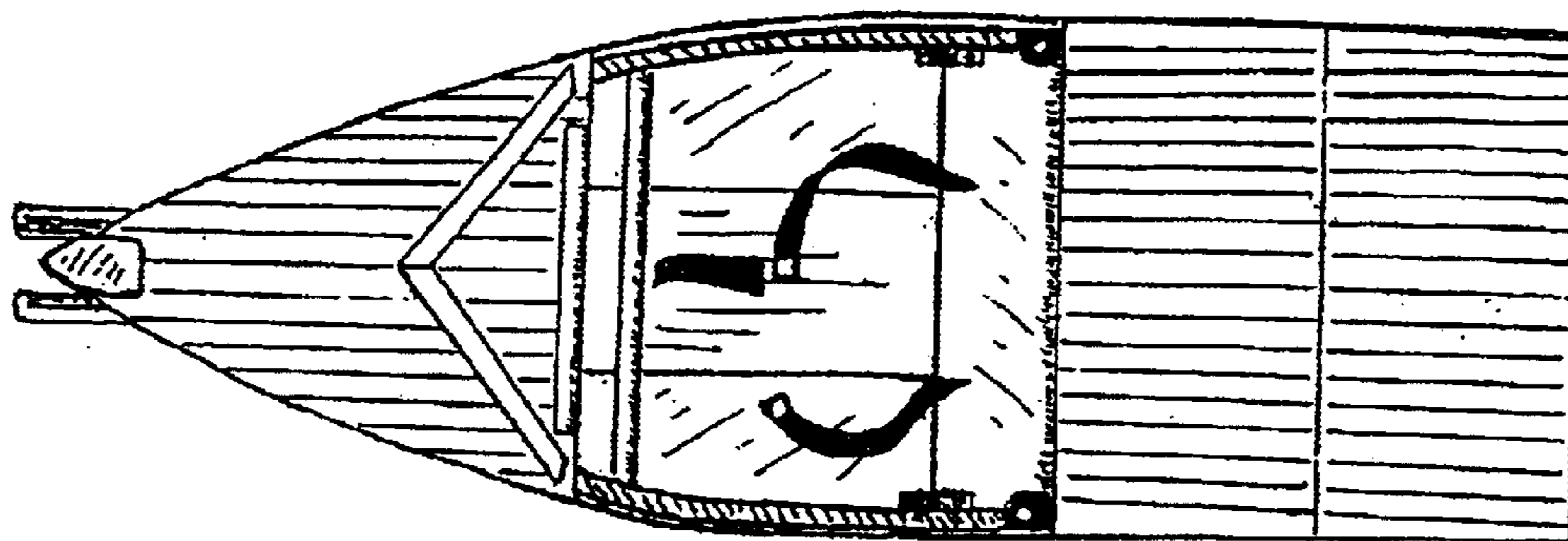


FIG. 4

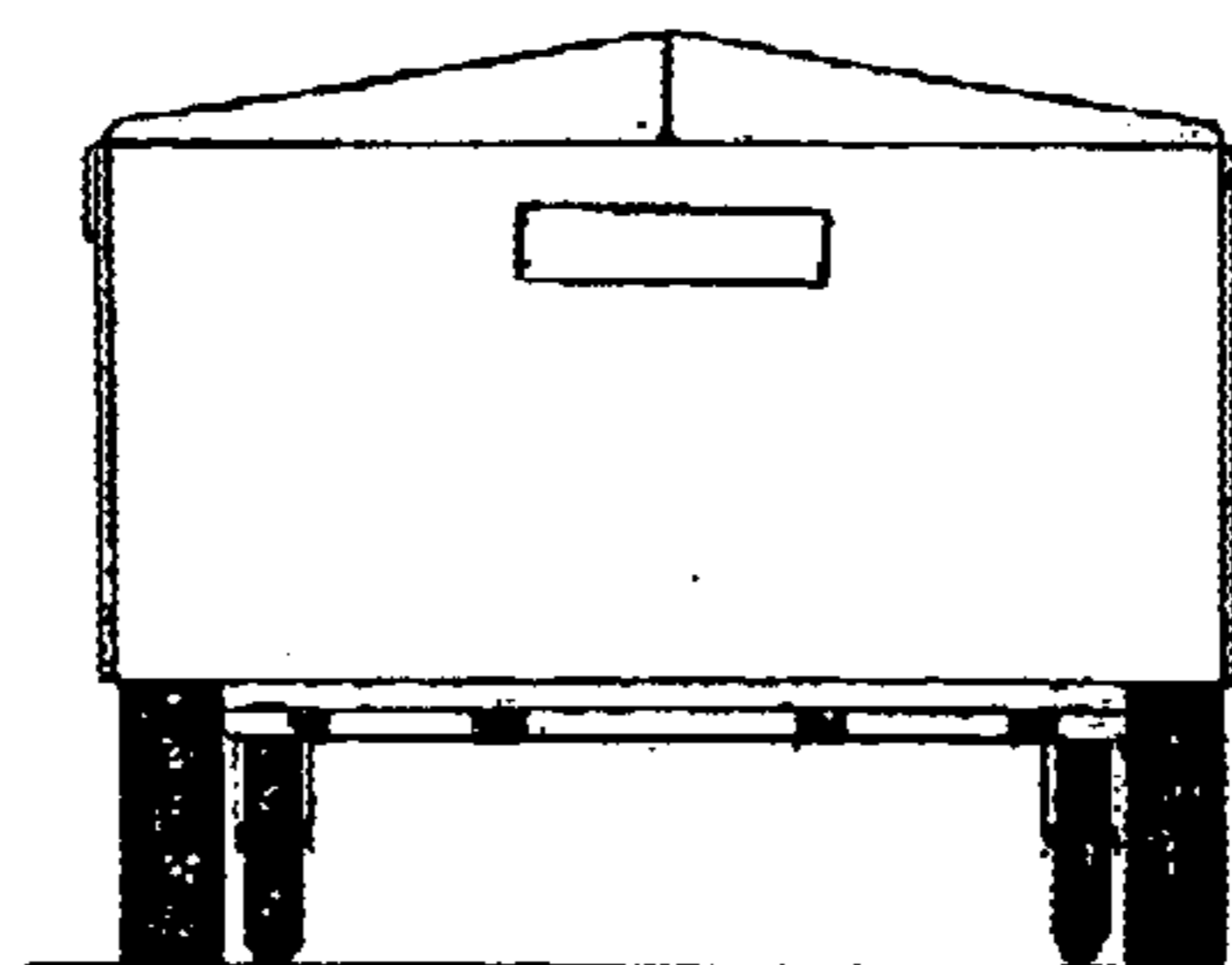


FIG. 5

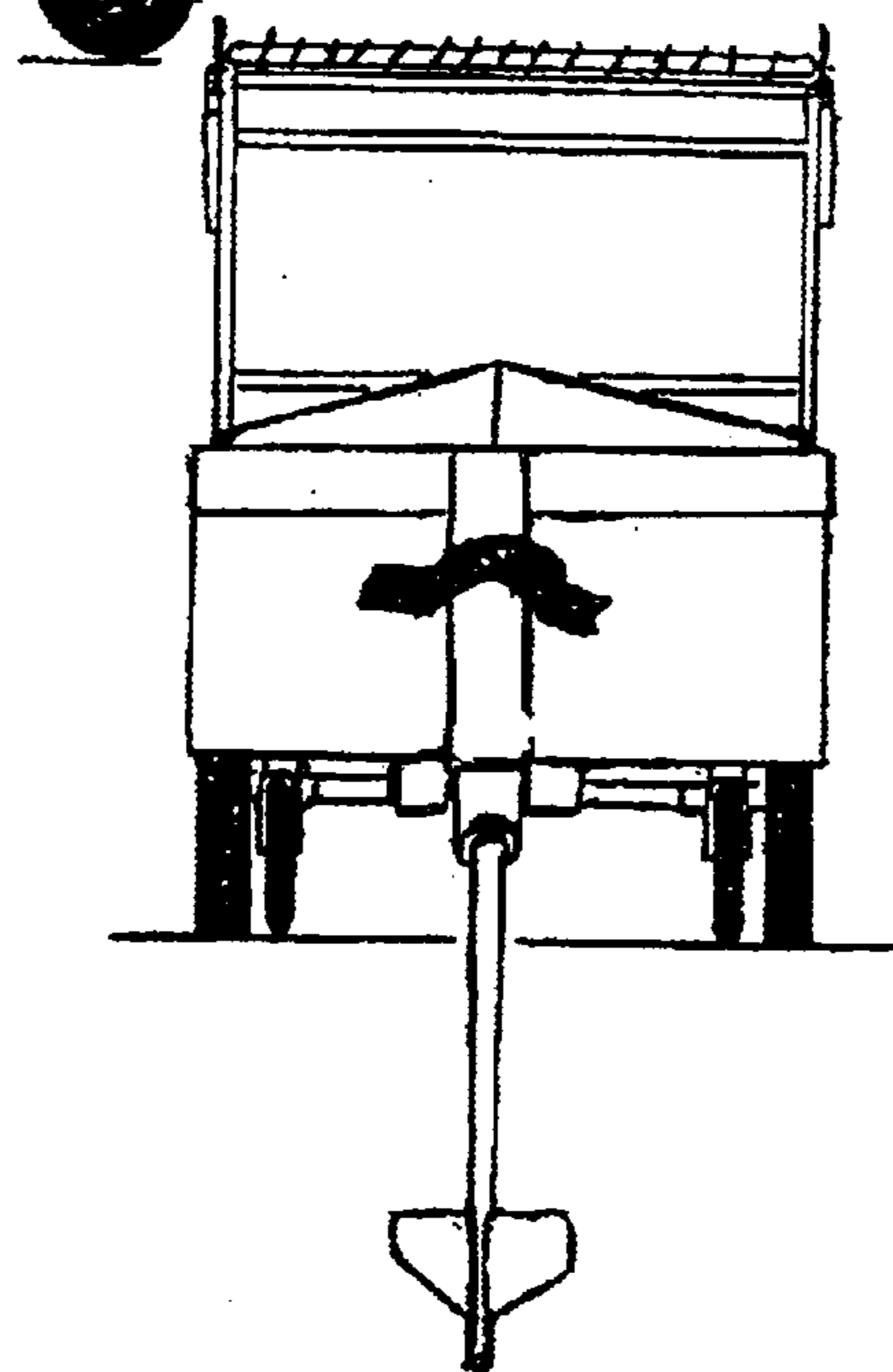
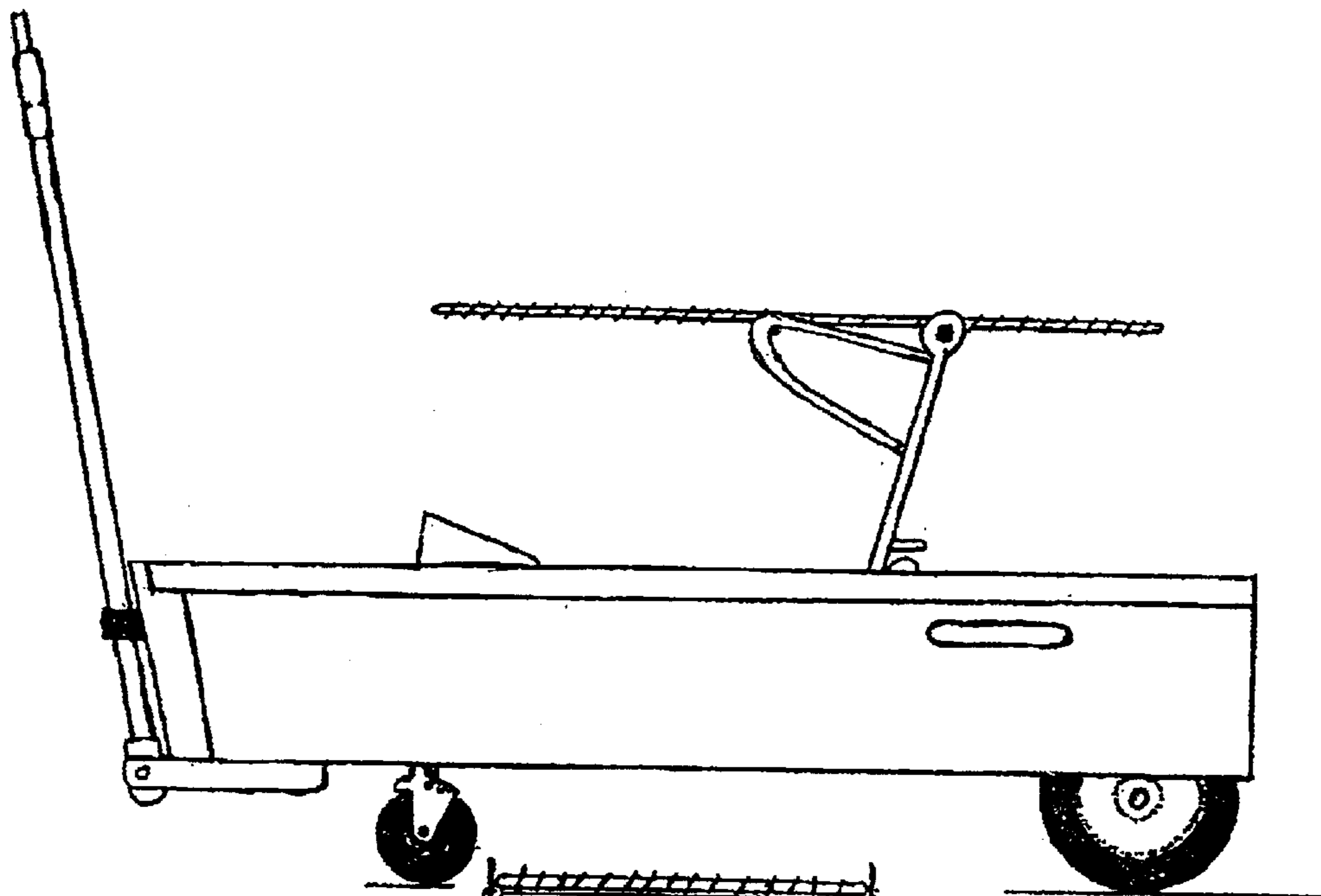


FIG. 6

FIG. 7

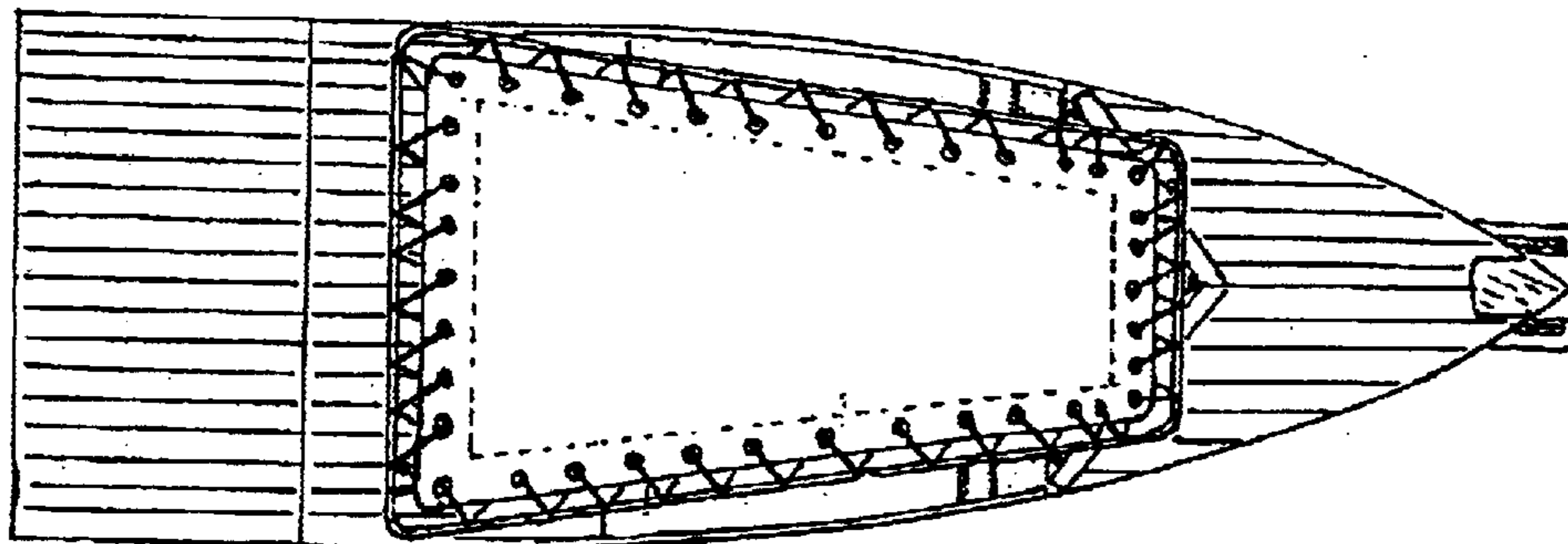
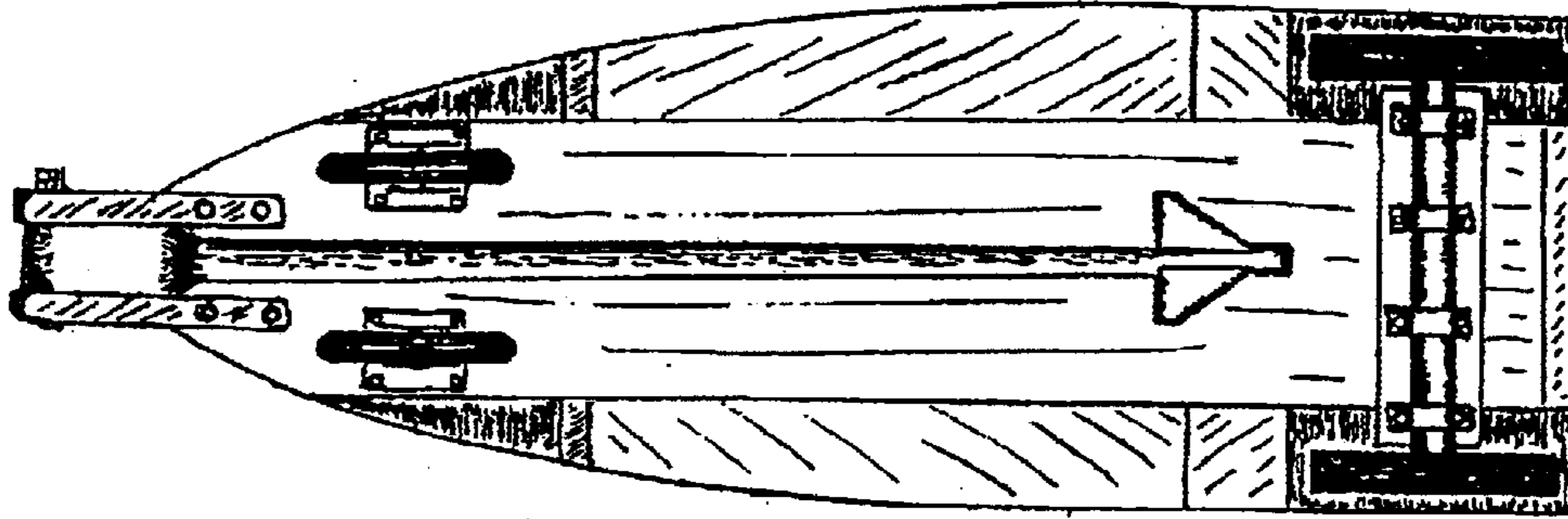


FIG. 8