

US00D500524S

(12) **United States Design Patent** (10) **Patent No.:** **US D500,524 S**
Stewart et al. (45) **Date of Patent:** **** Jan. 4, 2005**

(54) **LABEL PATTERN FOR A MEDICAL LABEL SHEET**

(75) Inventors: **Thomas R. Stewart**, Brentwood, TN (US); **Brian D. Moyer**, Brentwood, TN (US)

(73) Assignee: **PHG Technologies**, Brentwood, TN (US)

(**) Term: **14 Years**

(21) Appl. No.: **29/204,654**

(22) Filed: **Apr. 30, 2004**

Related U.S. Application Data

(62) Division of application No. 09/952,425, filed on Sep. 14, 2001.

(51) **LOC (7) Cl.** **19-08**

(52) **U.S. Cl.** **D20/27**

(58) **Field of Search** D20/22, 27, 99; D19/1-2; 40/360, 630, 633, 638, 675; 206/232, 459.5; 283/67, 75, 81, 101, 900; 428/42.3

(56) **References Cited**

U.S. PATENT DOCUMENTS

1,172,010 A	2/1916	Cooke	
D127,317 S	* 5/1941	Close	D19/1
3,970,397 A	7/1976	Armstrong	
4,191,402 A	3/1980	Michlin	
4,314,415 A	2/1982	De Woskin	
4,334,771 A	6/1982	Ryan, Jr.	
4,637,635 A	* 1/1987	Levine	283/101
4,876,131 A	* 10/1989	Ashby et al.	428/42.3
D312,654 S	* 12/1990	Giordano	D19/1
5,026,084 A	6/1991	Pasfield	
5,048,870 A	9/1991	Mangini et al.	
D345,584 S	* 3/1994	Gollon	D20/22
5,328,208 A	7/1994	Garrison	
5,370,420 A	* 12/1994	Khatib et al.	283/81
5,401,110 A	3/1995	Neeley	
5,433,546 A	7/1995	Kershaw	
5,653,472 A	8/1997	Huddleston et al.	

5,673,944 A	10/1997	Walker et al.	
D391,991 S	* 3/1998	Conner	D20/10
5,752,722 A	5/1998	Moore et al.	
5,799,981 A	* 9/1998	Tung et al.	283/56
5,967,559 A	10/1999	Abramowitz	
5,979,941 A	11/1999	Mosher, Jr. et al.	
6,000,160 A	* 12/1999	Riley	40/633
6,007,104 A	12/1999	Draper	
6,016,618 A	1/2000	Attia et al.	
6,036,231 A	3/2000	Foote et al.	
D423,044 S	* 4/2000	Burke et al.	D19/1
6,067,739 A	5/2000	Riley	
6,086,108 A	7/2000	Rosenberger	
6,135,507 A	10/2000	Hamby et al.	
6,140,936 A	10/2000	Armstrong	
6,152,493 A	11/2000	Draper	
6,167,679 B1	1/2001	Horton-Steidle et al.	
D448,404 S	* 9/2001	Hamilton et al.	D19/1
6,364,366 B1	4/2002	Schwartz	
6,403,188 B1	* 6/2002	Donahue	428/40.1
6,438,881 B1	* 8/2002	Riley	40/633
D471,933 S	3/2003	Hodsdon et al.	
D473,264 S	4/2003	Sanford et al.	
D476,031 S	6/2003	Hodsdon et al.	
2001/0015553 A1	8/2001	Rodriguez	
2001/0017817 A1	8/2001	De La Huerga	

* cited by examiner

Primary Examiner—Robert M. Spear
(74) *Attorney, Agent, or Firm*—Wyatt, Tarrant & Combs, LLP

(57) **CLAIM**

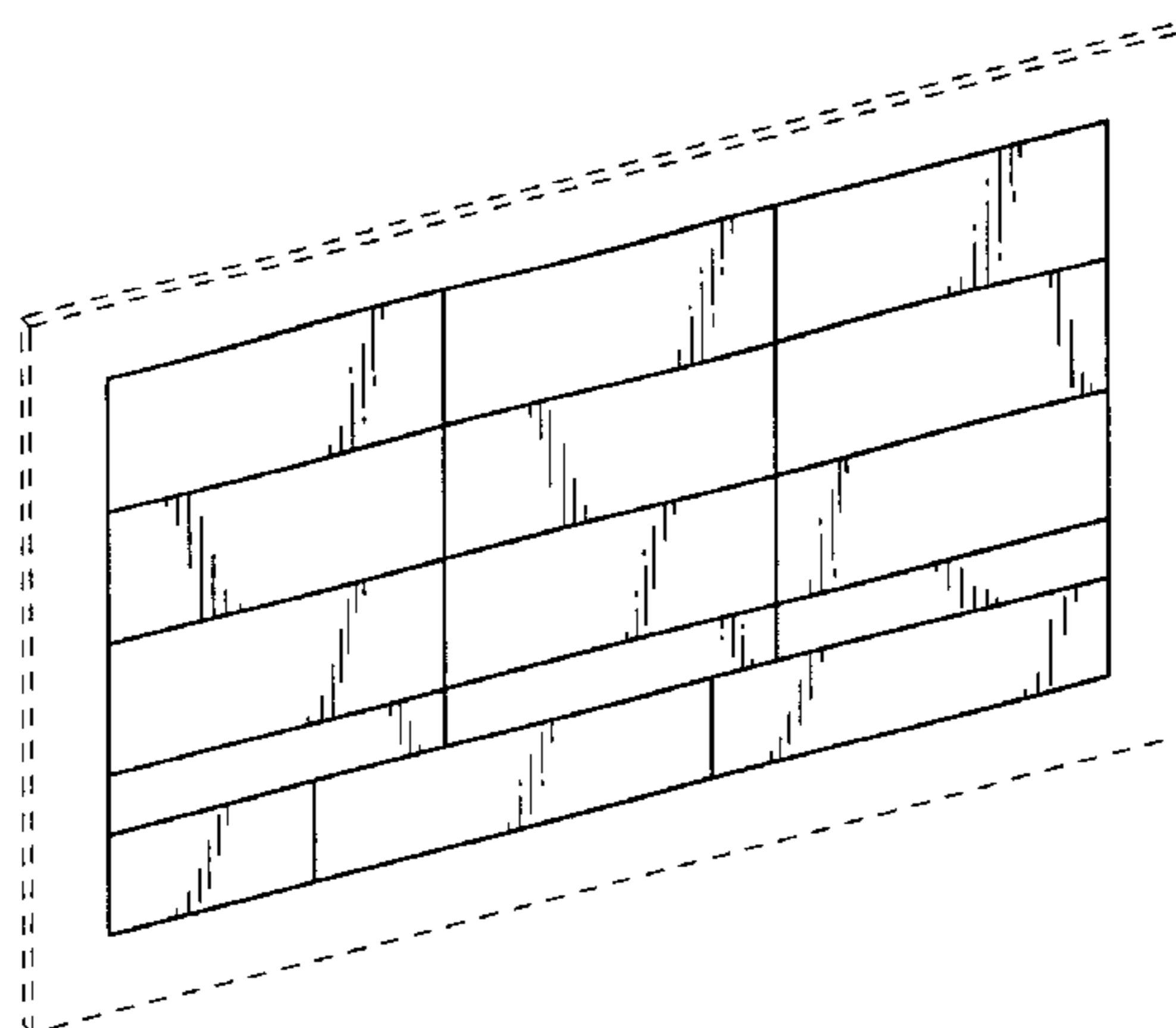
The ornamental design for a label pattern for a medical label sheet, as shown.

DESCRIPTION

FIG. 1 is a front view of a medical label sheet including a label pattern of the present invention; and, FIG. 2 is a perspective view of the medical label sheet and the label pattern thereof of FIG. 1.

The broken lines in the drawings represent environmental structure only and form no part of the claim.

1 Claim, 1 Drawing Sheet



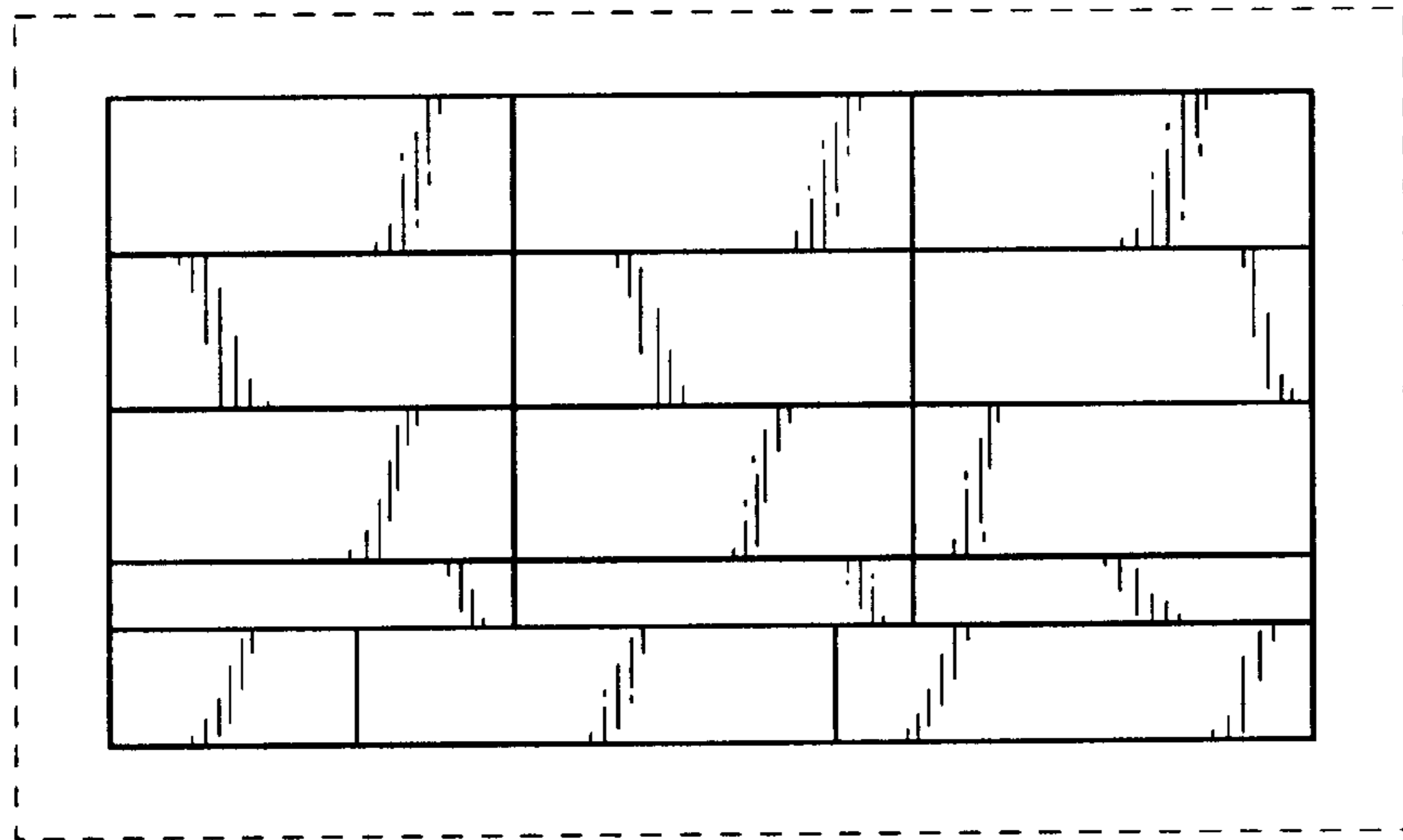


FIG. 1

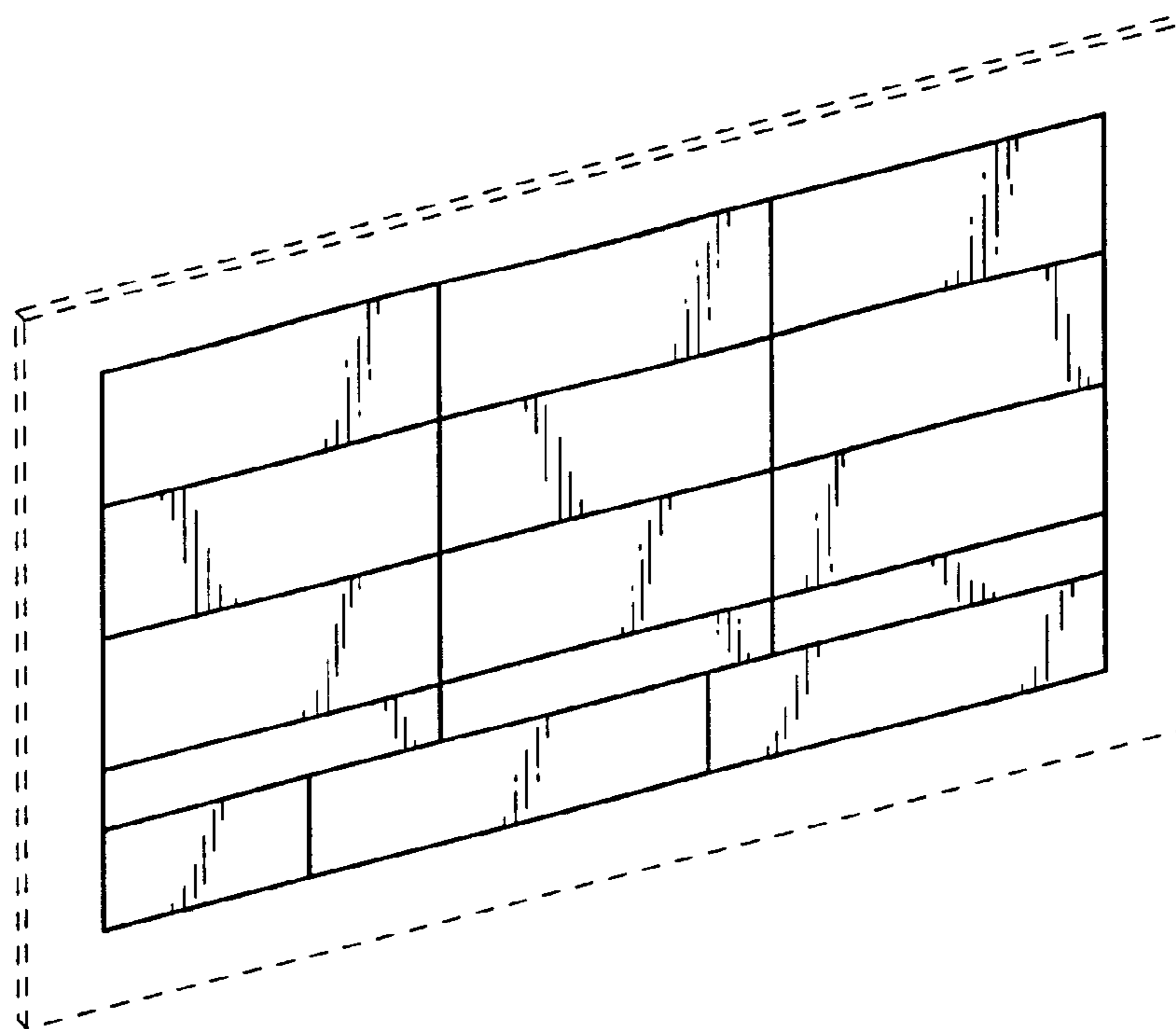


FIG. 2