

US00D500523S

(12) **United States Design Patent**
Amortegui R.

(10) **Patent No.:** **US D500,523 S**
(45) **Date of Patent:** **** Jan. 4, 2005**

- (54) **APPARATUS FOR ADVERTISING**
- (76) **Inventor:** **Nestor Mauricio Amortegui R.,** 17627
NW. 66 Ct., Miami, FL (US) 33015
- (**) **Term:** **14 Years**
- (21) **Appl. No.:** **29/193,875**
- (22) **Filed:** **Nov. 17, 2003**
- (51) **LOC (7) Cl.** **20-02**
- (52) **U.S. Cl.** **D20/21**
- (58) **Field of Search** D20/10, 21, 40,
D20/42, 99; D11/141; D21/465-7; 40/214,
602, 604, 606.11, 440, 450, 479; 244/142,
153 R, 153 A; 446/36; 415/907, 908

(56) **References Cited**

U.S. PATENT DOCUMENTS

1,533,912 A *	4/1925	Friedrich	244/138 A
2,667,352 A *	1/1954	Sepersky	273/362
D207,477 S *	4/1967	McLarty	D20/21
3,390,480 A *	7/1968	Turner	446/45
3,806,072 A *	4/1974	Pinter	244/155 R
D233,978 S *	12/1974	Palmer	D20/43
D305,778 S *	1/1990	Caulk	D20/21
5,149,019 A *	9/1992	Stenlund	244/145
5,284,454 A *	2/1994	Randolph	446/45
6,428,381 B1 *	8/2002	Stern	446/36

D488,837 S * 4/2004 Dion D20/43

* cited by examiner

Primary Examiner—Robert M. Spear
(74) *Attorney, Agent, or Firm*—Albert Bordas; J. Sanchelima

(57) **CLAIM**

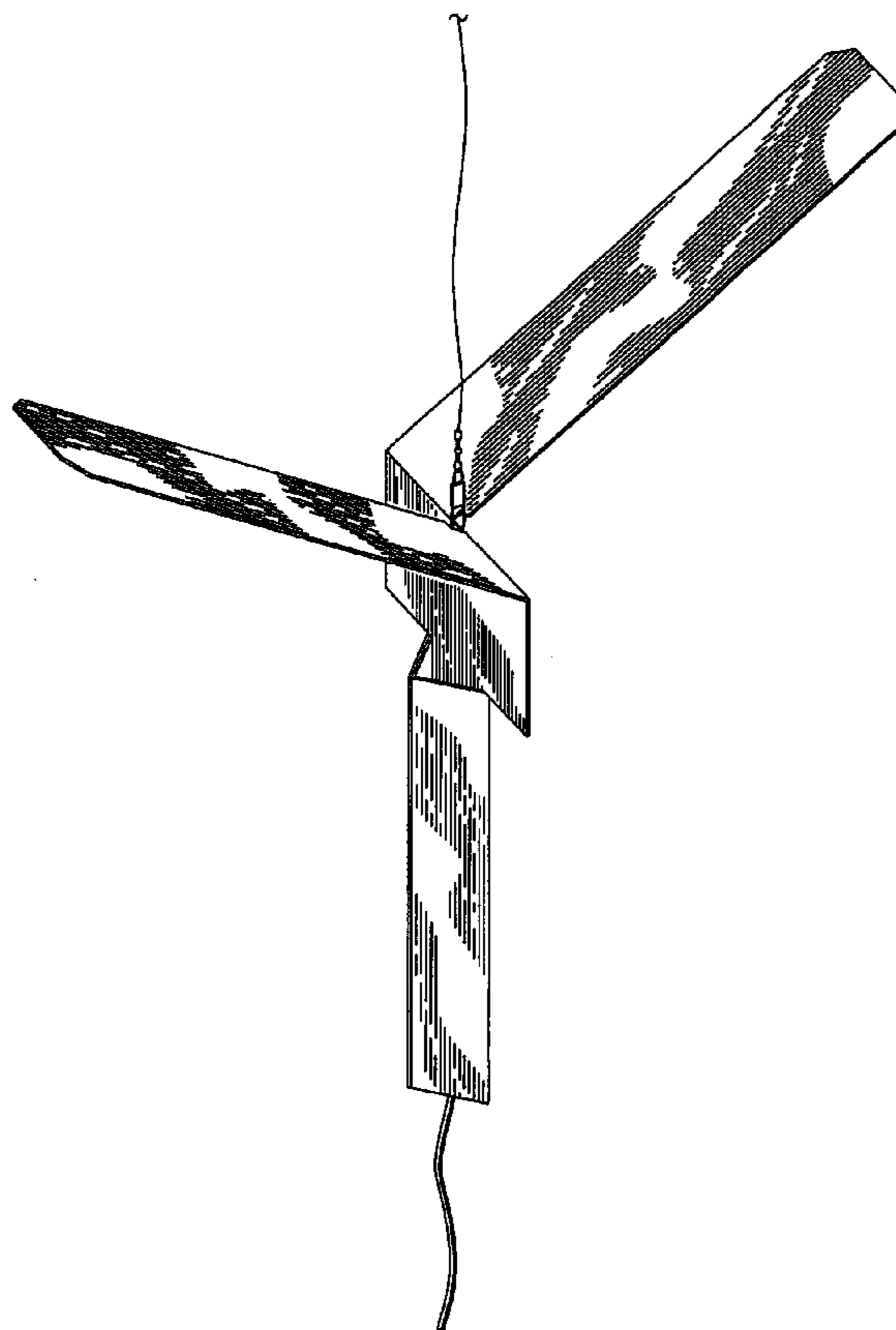
The ornamental design for the apparatus for advertising, as shown and described.

DESCRIPTION

FIG. 1 is a perspective view showing my new design; FIG. 2 is a front elevational view thereof; FIG. 3 is a back elevational view thereof; FIG. 4 is a left side elevational view thereof; FIG. 5 is a right side elevational view thereof; FIG. 6 is a top plan view thereof; and, FIG. 7 is a bottom plan view of my invention.

This design is not limited to the exact details shown in the drawings, since equivalents and colorable imitations thereof will be evident to a person of ordinary skill in the art. Thus, within the scope of the appended claim, which is intended to cover only the ornamental and novel elements shown in the drawings, the invention may be practiced otherwise than as specifically shown and described herein.

1 Claim, 4 Drawing Sheets



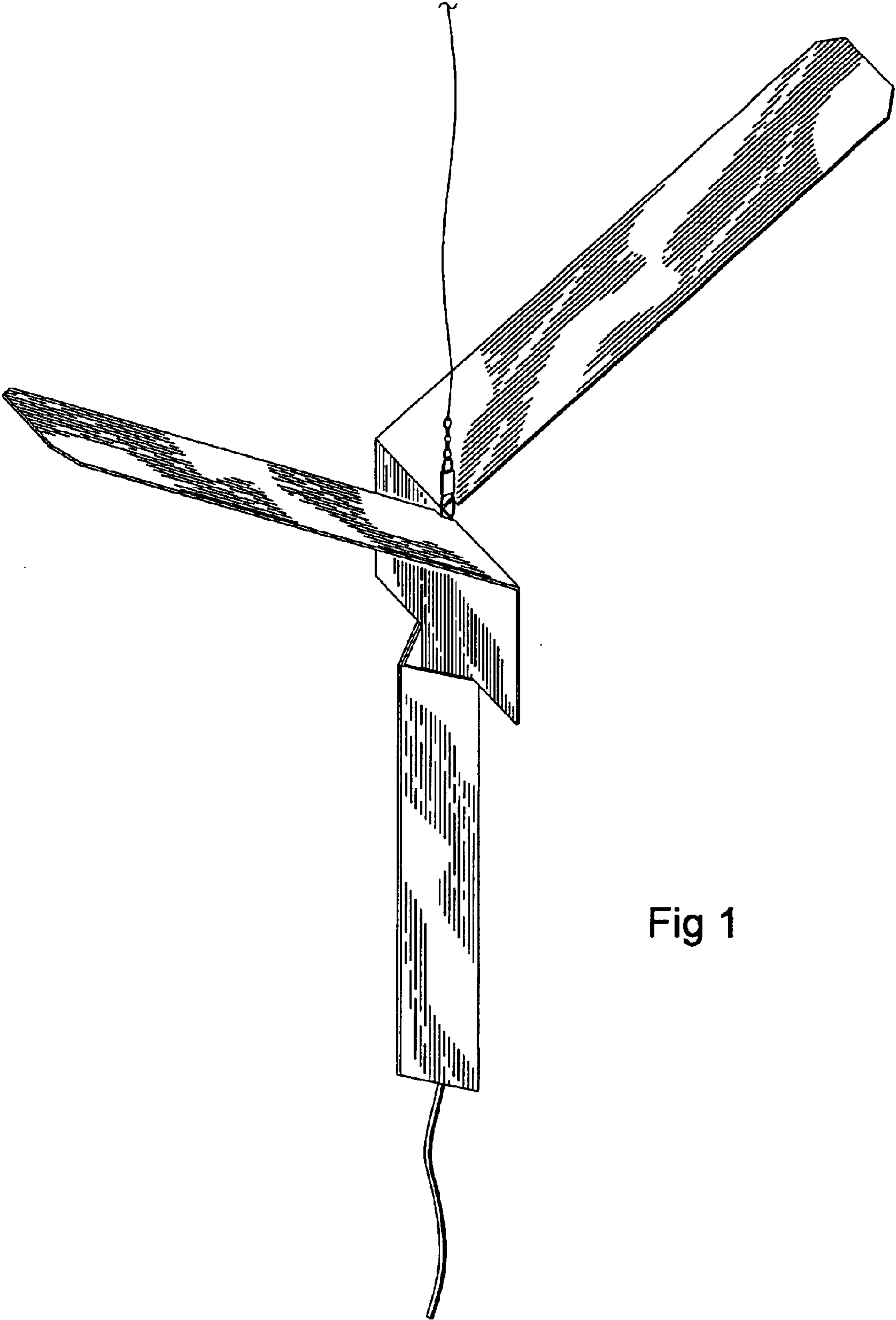


Fig 1

