

US00D500514S

(12) **United States Design Patent**
Ekin

(10) **Patent No.:** **US D500,514 S**
(45) **Date of Patent:** **** Jan. 4, 2005**

(54) **SURFBOARD-SHAPED STRINGED MUSICAL INSTRUMENT BODY**

(76) **Inventor:** **Gary Ekin**, 140 Ladera Dr., Santa Cruz, CA (US) 95060

(**) **Term:** **14 Years**

(21) **Appl. No.:** **29/190,122**

(22) **Filed:** **Sep. 16, 2003**

(51) **LOC (7) Cl.** **17-03**

(52) **U.S. Cl.** **D17/18**

(58) **Field of Search** 84/312 P, 274, 84/275, 9, 267-270, 298-299, 290-291, 294, 453, 284, 285, 402-405, 743; D17/14-15, 99, 17-21, 1, 22-23; D21/405, 410, 599, 769-770

(56) **References Cited**

U.S. PATENT DOCUMENTS

- D158,632 S * 5/1950 Zimmerman D17/23
- D175,525 S * 9/1955 Zimmerman D17/23
- D207,877 S * 6/1967 FitzGibbon D17/14
- D219,620 S * 12/1970 Moore D17/19
- 4,080,864 A * 3/1978 Jackson 84/312 P
- D249,182 S * 8/1978 Greer D17/99
- D330,747 S * 11/1992 Pia D21/769
- D355,923 S * 2/1995 Slater D17/1
- D439,603 S * 3/2001 Laird D17/99

* cited by examiner

Primary Examiner—Ruth McInroy
(74) *Attorney, Agent, or Firm*—Jack Lo

(57) **CLAIM**

The ornamental design for a surfboard-shaped stringed musical instrument body, as shown and described.

DESCRIPTION

FIG. 1 is a front perspective view of a surfboard-shaped stringed musical instrument body showing the first embodiment of my new design;

FIG. 2 is a front view thereof;

FIG. 3 is a rear view thereof;

FIG. 4 is a right side view thereof;

FIG. 5 is a left side view thereof;

FIG. 6 is a top view thereof;

FIG. 7 is a bottom view thereof;

FIG. 8 is a front perspective view of a second embodiment thereof;

FIG. 9 is a front view thereof;

FIG. 10 is a rear view thereof;

FIG. 11 is a right side view thereof;

FIG. 12 is a left side view thereof;

FIG. 13 is a top view thereof;

FIG. 14 is a bottom view thereof;

FIG. 15 is a front perspective view of a third embodiment thereof;

FIG. 16 is a front view thereof;

FIG. 17 is a rear view thereof;

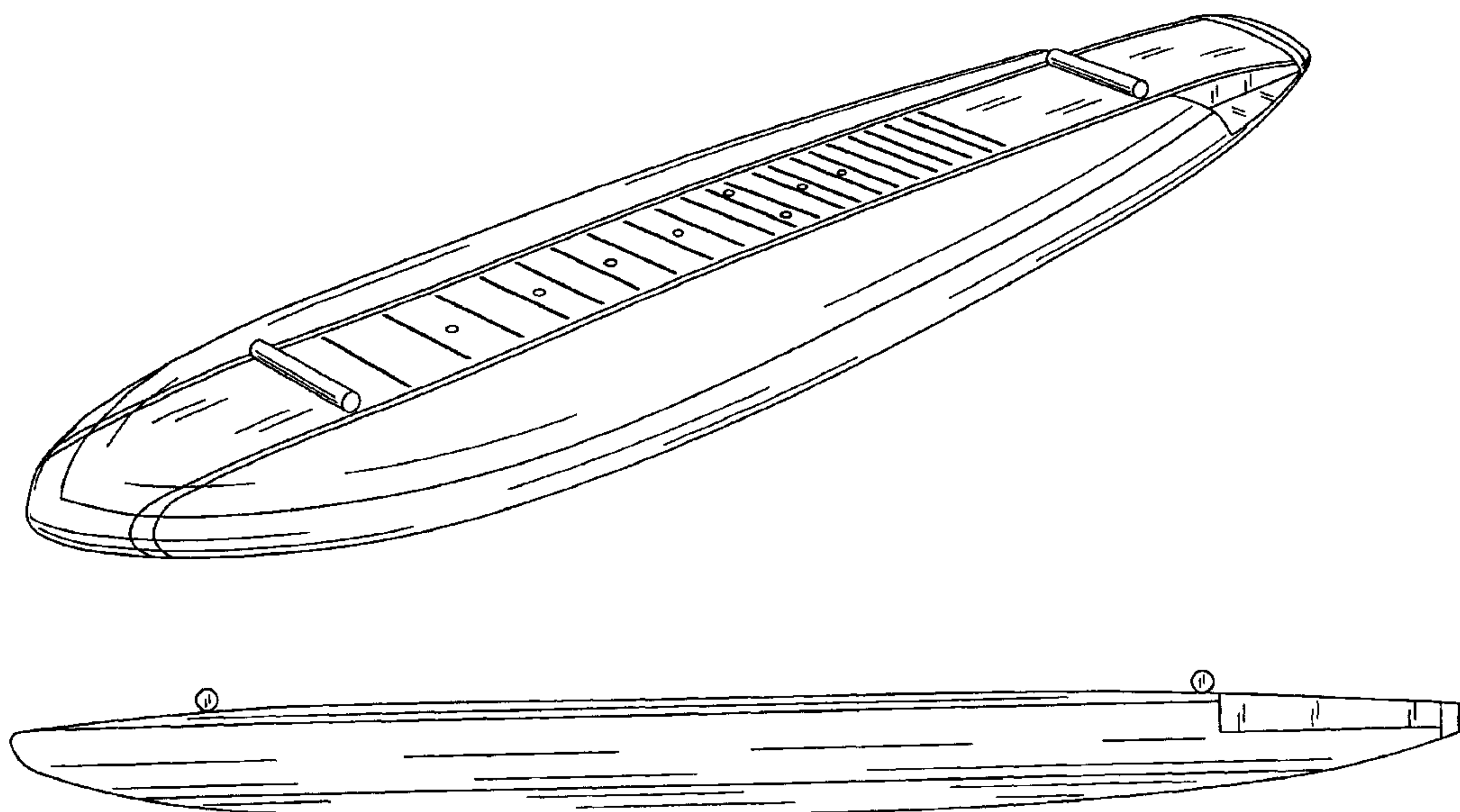
FIG. 18 is a right side view thereof;

FIG. 19 is a left side view thereof;

FIG. 20 is a top view thereof; and,

FIG. 21 is a bottom view thereof.

1 Claim, 9 Drawing Sheets



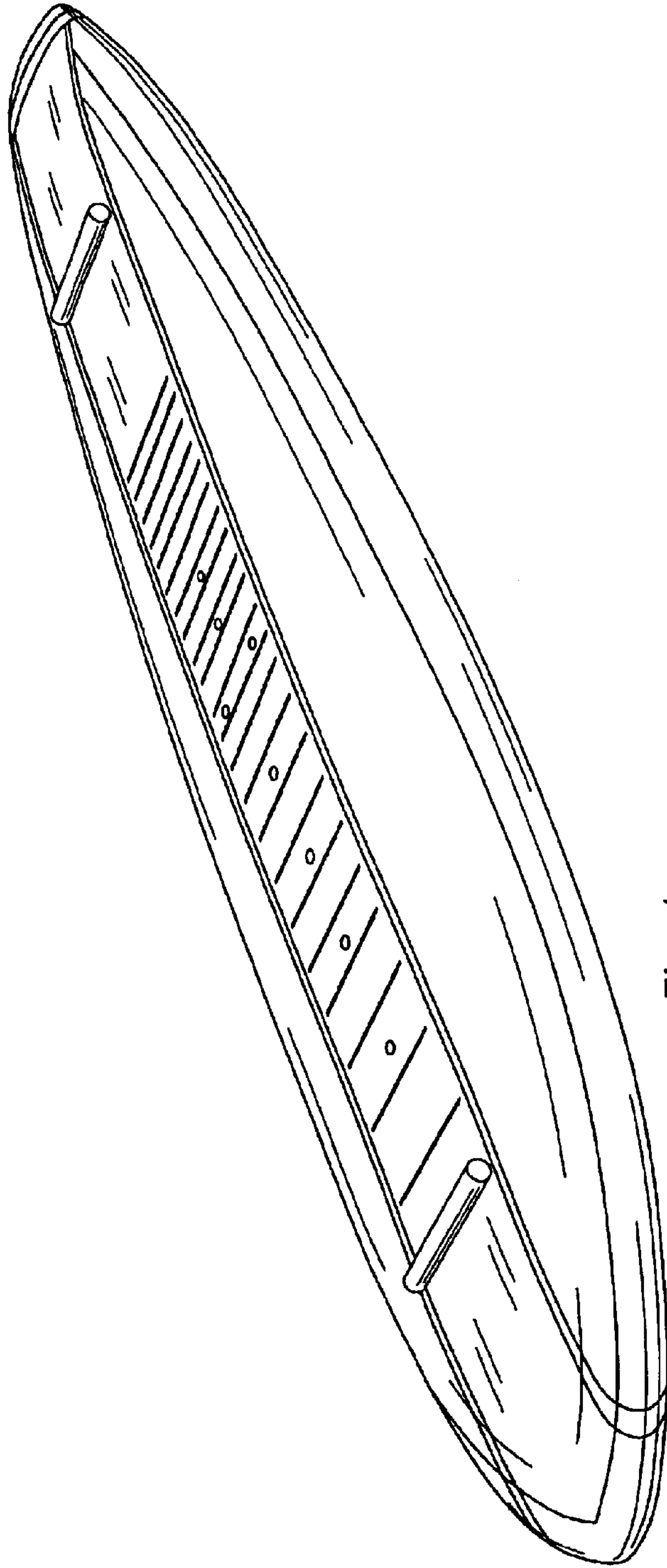


Fig. 1



Fig. 2



Fig. 3

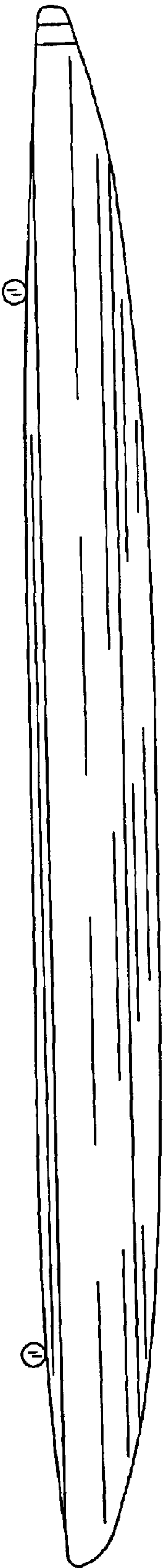


Fig. 4

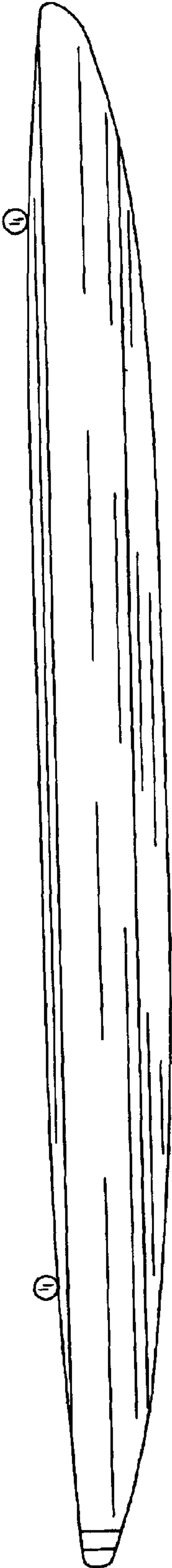


Fig. 5

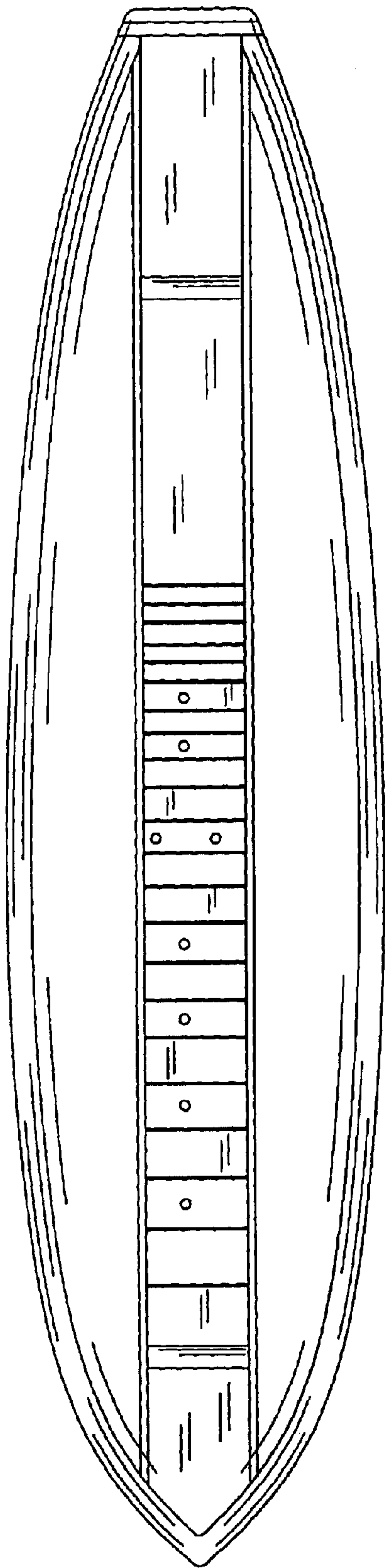


Fig. 6

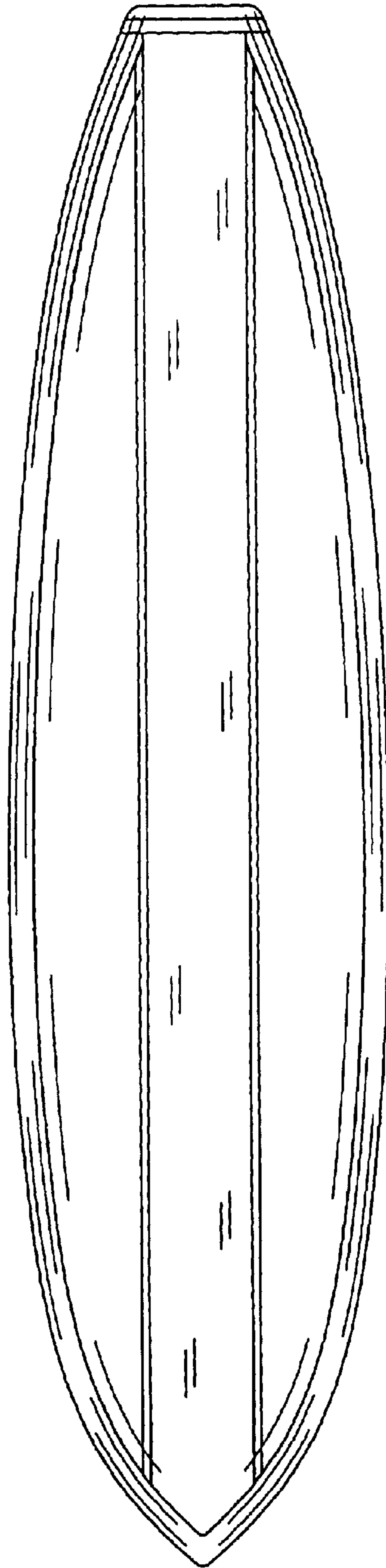


Fig. 7

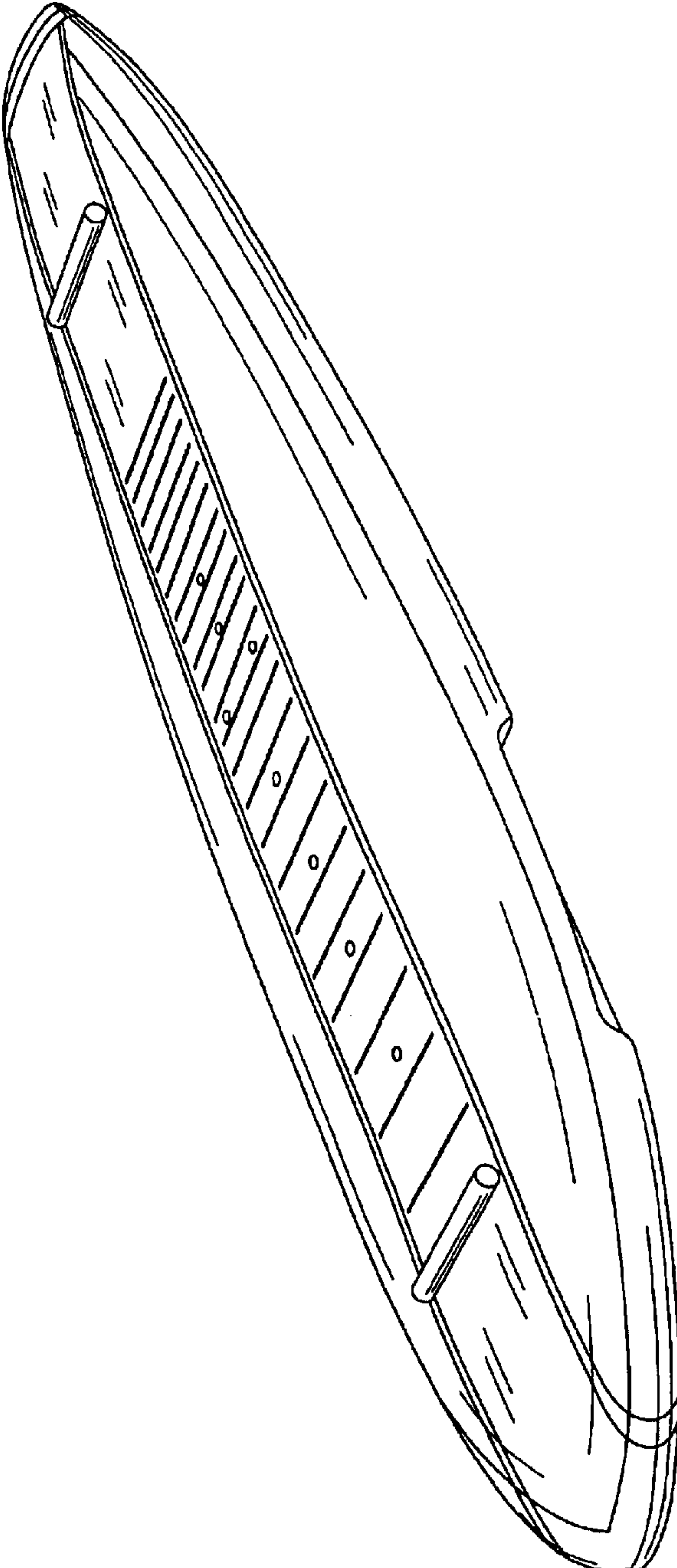


Fig. 8



Fig. 9



Fig. 10

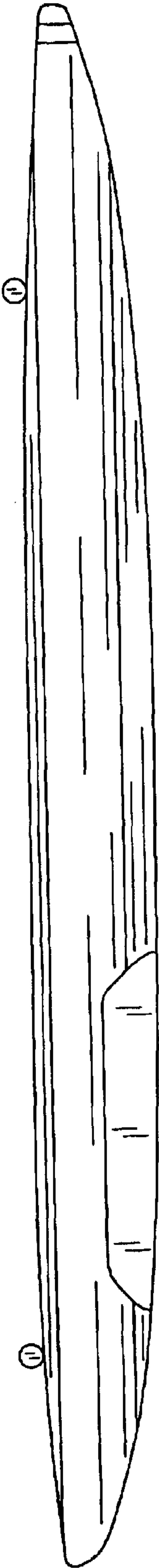


Fig. 11

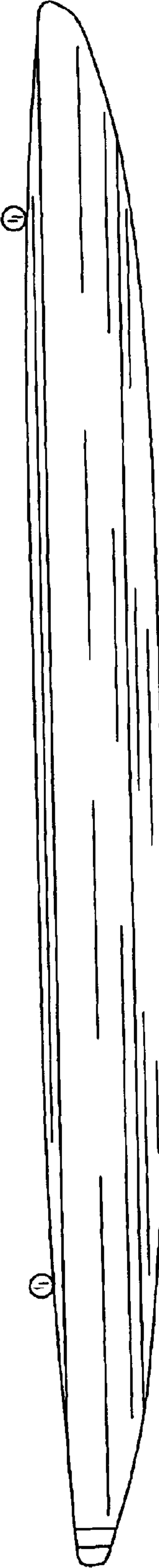


Fig. 12

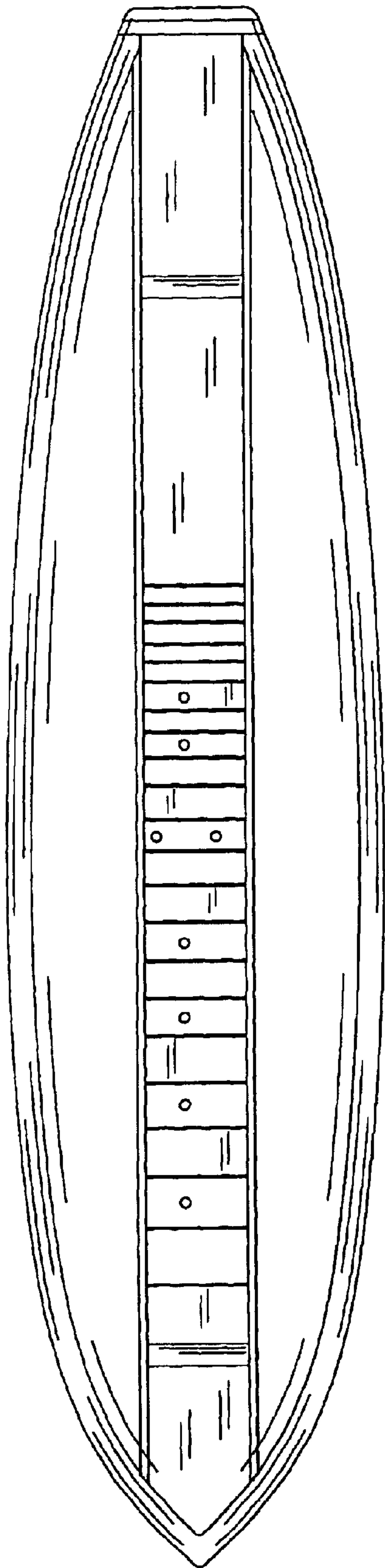


Fig. 13

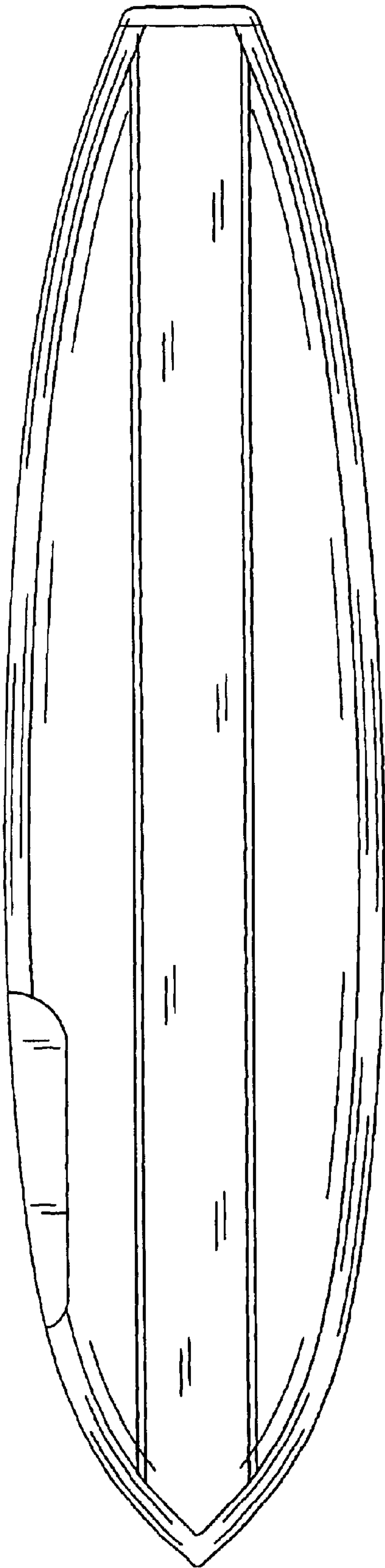


Fig. 14

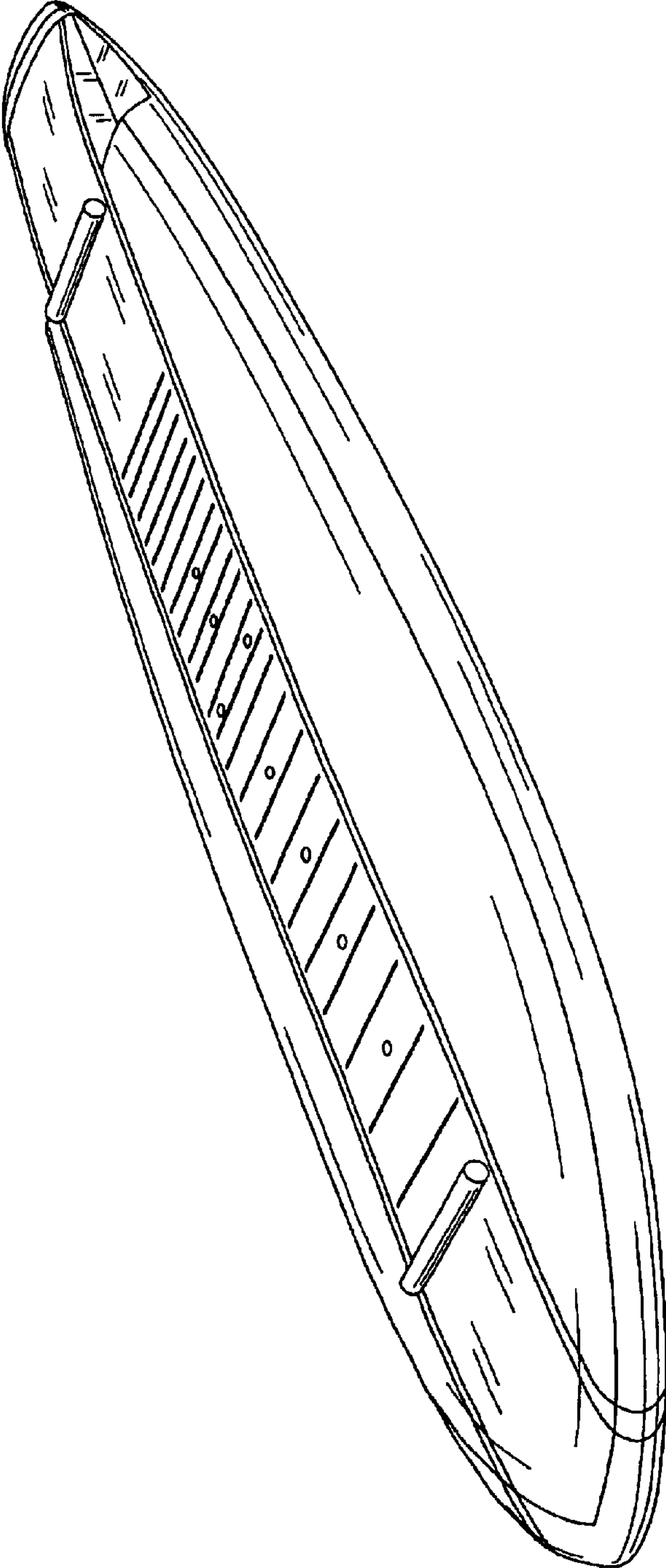


Fig. 15



Fig. 16

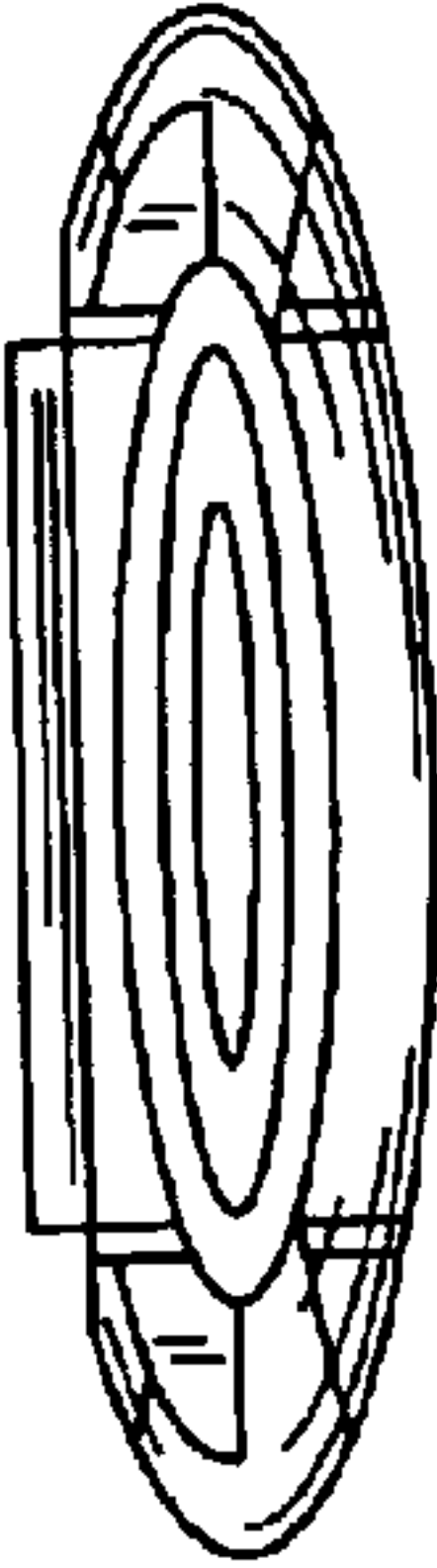


Fig. 17

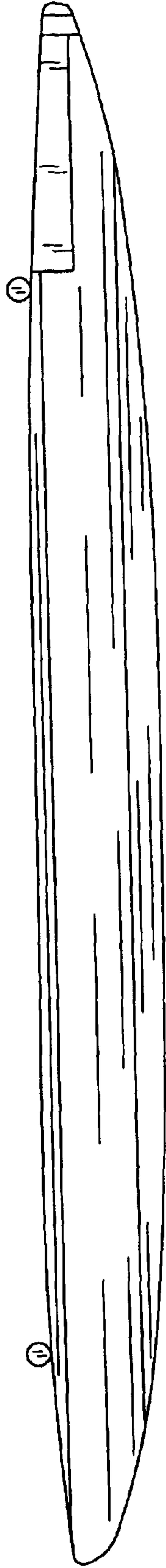


Fig. 18

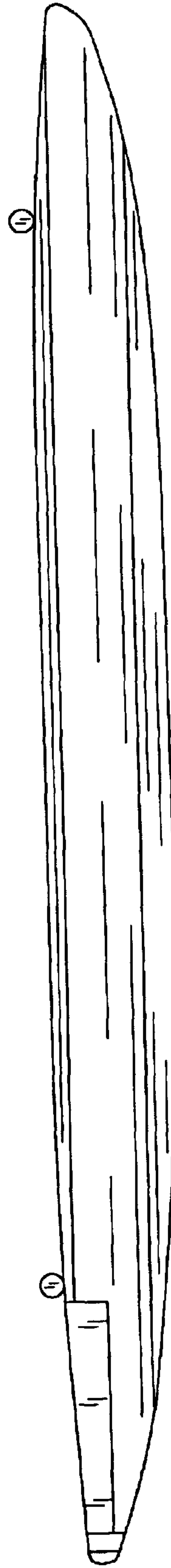


Fig. 19

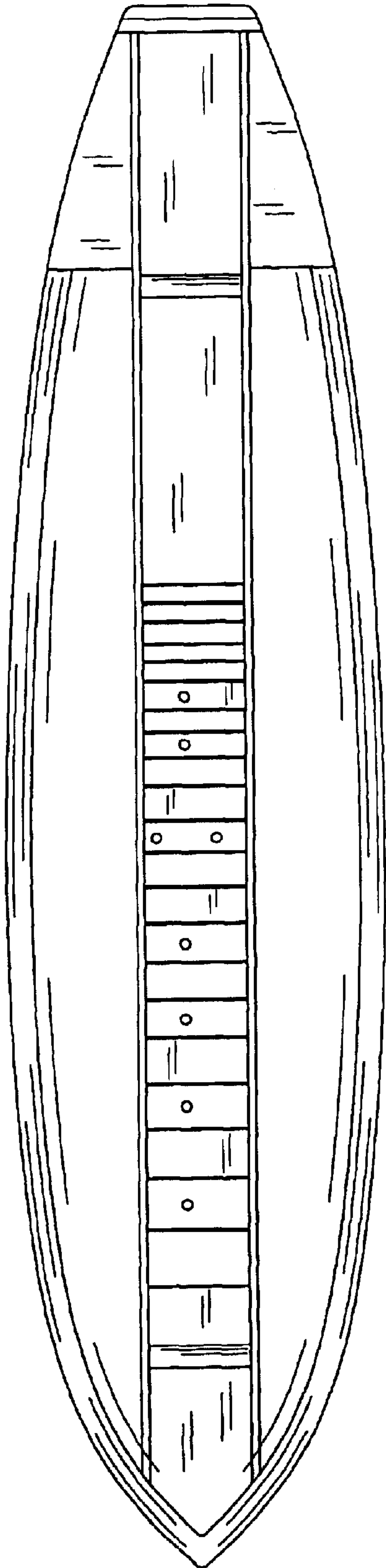


Fig. 20

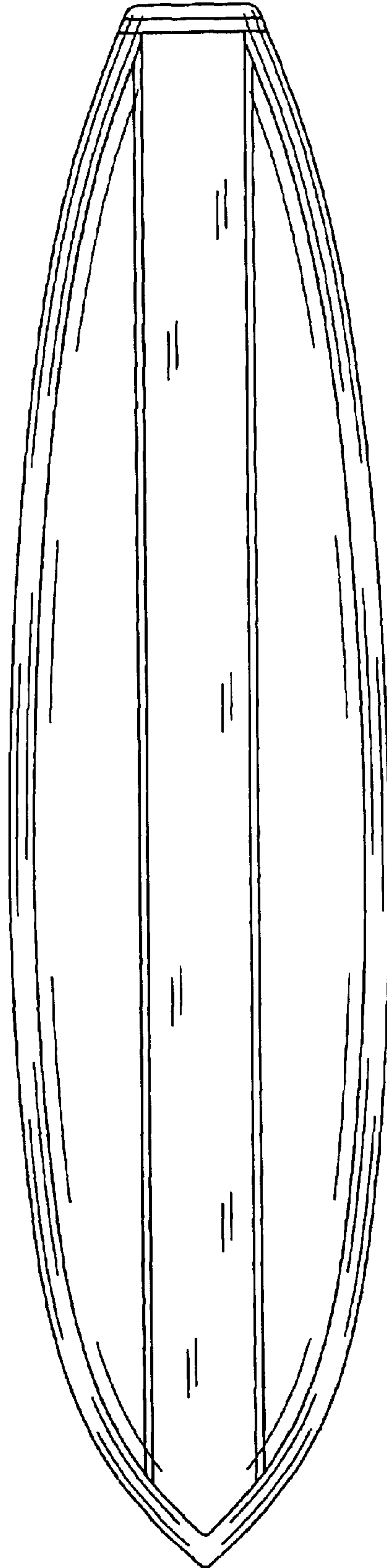


Fig. 21