



US00D500513S

(12) **United States Design Patent**
Matsumoto et al.

(10) **Patent No.:** **US D500,513 S**
(45) **Date of Patent:** **** Jan. 4, 2005**

(54) **CRADLE FOR SUPPORTING A MONITORING CAMERA**
(75) Inventors: **Yasuhiko Matsumoto**, Otsu (JP); **Kazutaka Sakamoto**, Otsu (JP); **Kouji Maruta**, Otsu (JP); **Jun Hakoda**, Chino (JP)

(73) Assignees: **Optex Co., Ltd**, Shiga (JP); **Chinon Industries, Inc.**, Nagano (JP)

(**) Term: **14 Years**

(21) Appl. No.: **29/198,158**

(22) Filed: **Jan. 26, 2004**

(30) **Foreign Application Priority Data**

Jul. 29, 2003 (JP) 2003-021919

(51) **LOC (7) Cl.** **16-05**

(52) **U.S. Cl.** **D16/242**

(58) **Field of Search** D16/219, 237, D16/242; 248/176.1, 185.1, 187.1, 346.01, 346.03; 348/373, 374; 352/243; 396/419, 428

(56) **References Cited**

U.S. PATENT DOCUMENTS

D247,244 S * 2/1978 Mazur D16/242

D365,588 S * 12/1995 Fernandez D16/242
D469,457 S * 1/2003 Nakaigawa D16/242
D476,025 S * 6/2003 Ford D16/242
6,572,282 B1 * 6/2003 Okuley et al. 396/428
6,762,790 B1 * 7/2004 Matko et al. 348/373

* cited by examiner

Primary Examiner—Adir Aronovich

(57) **CLAIM**

The ornamental design for a cradle for supporting a monitoring camera, as shown and described.

DESCRIPTION

FIG. 1 is a front elevational view of a cradle for supporting a monitoring camera showing our new design; FIG. 2 is a rear elevational view thereof; FIG. 3 is a left side elevational view thereof; FIG. 4 is a right side elevational view thereof; FIG. 5 is a top plan view thereof; FIG. 6 is a bottom plan view thereof; FIG. 7 is a perspective view thereof; and, FIG. 8 is a perspective view thereof in position of use with a monitoring camera shown by double dotted lines. The broken line showing of a monitoring camera is for illustrative purposes only and forms no part of the claimed design.

1 Claim, 4 Drawing Sheets

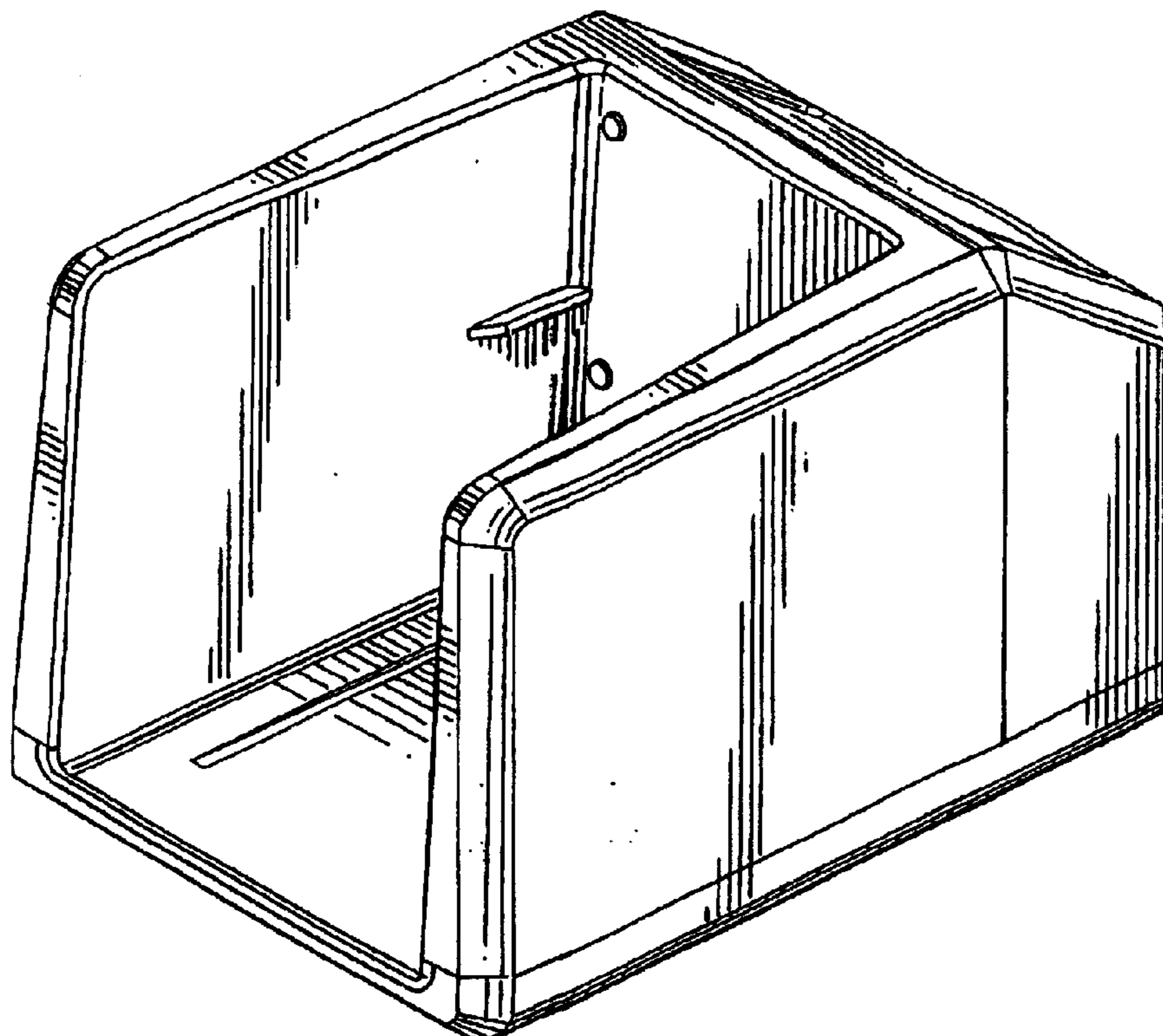


FIG. 1

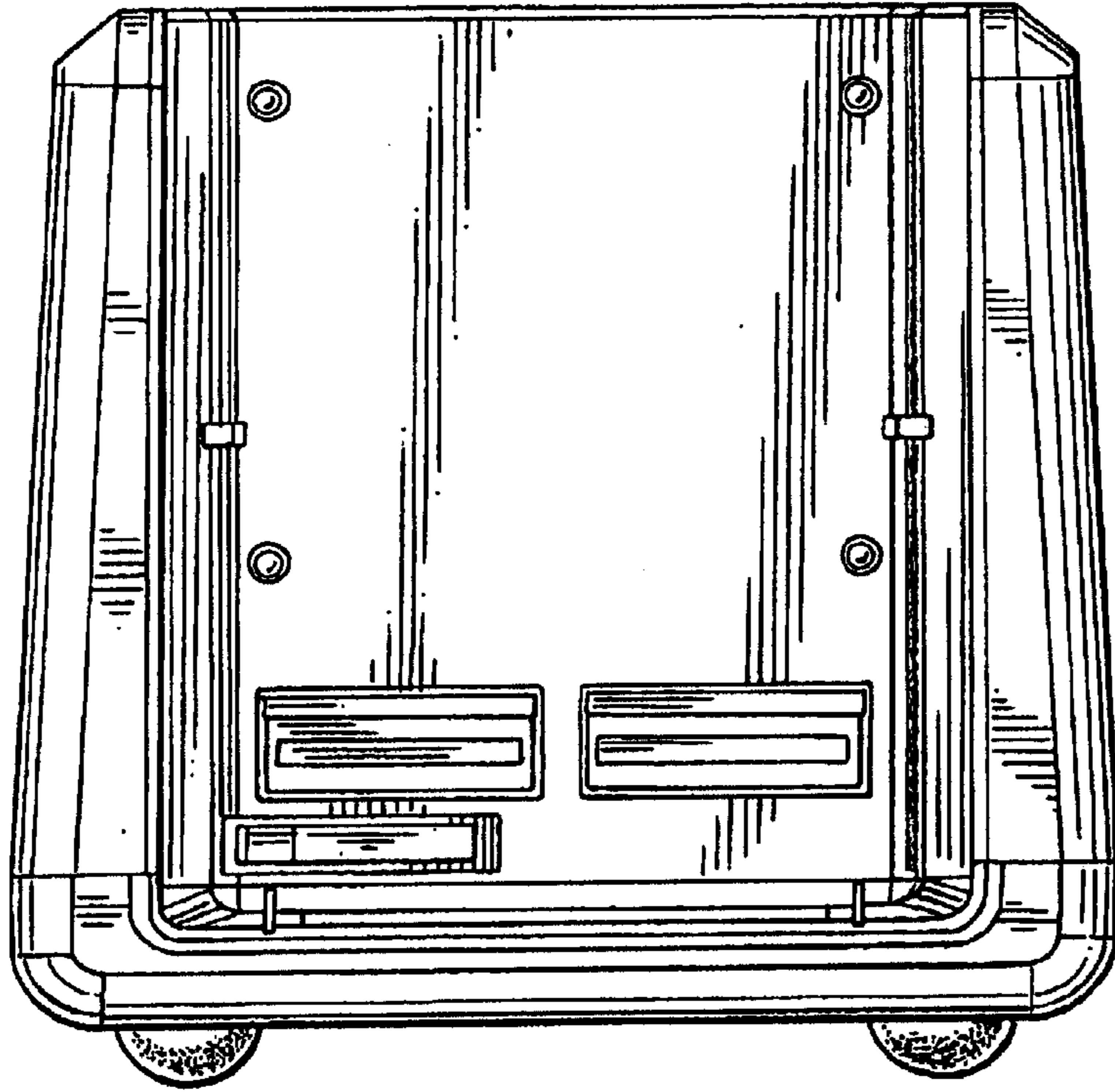


FIG. 2

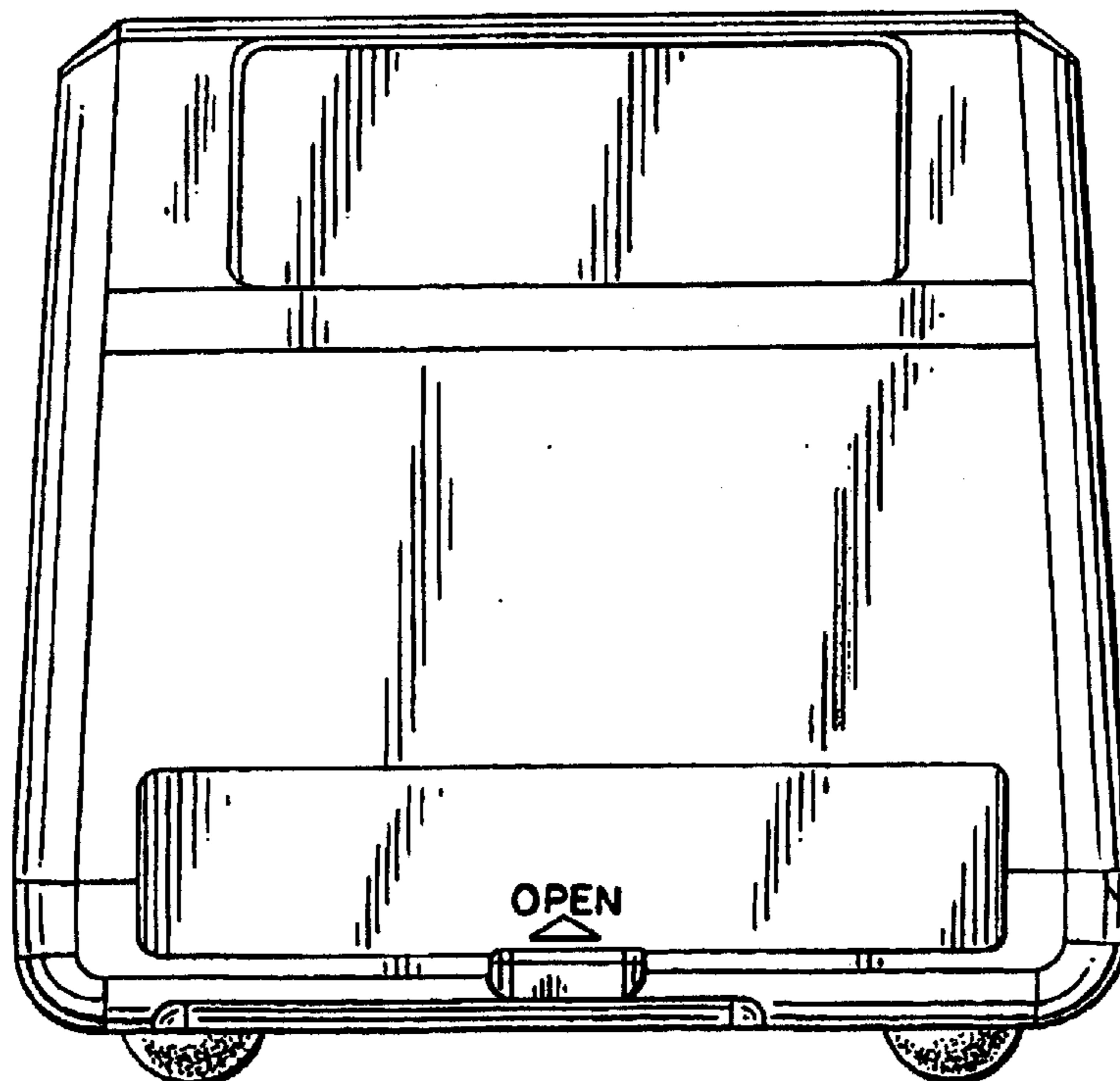


FIG. 3

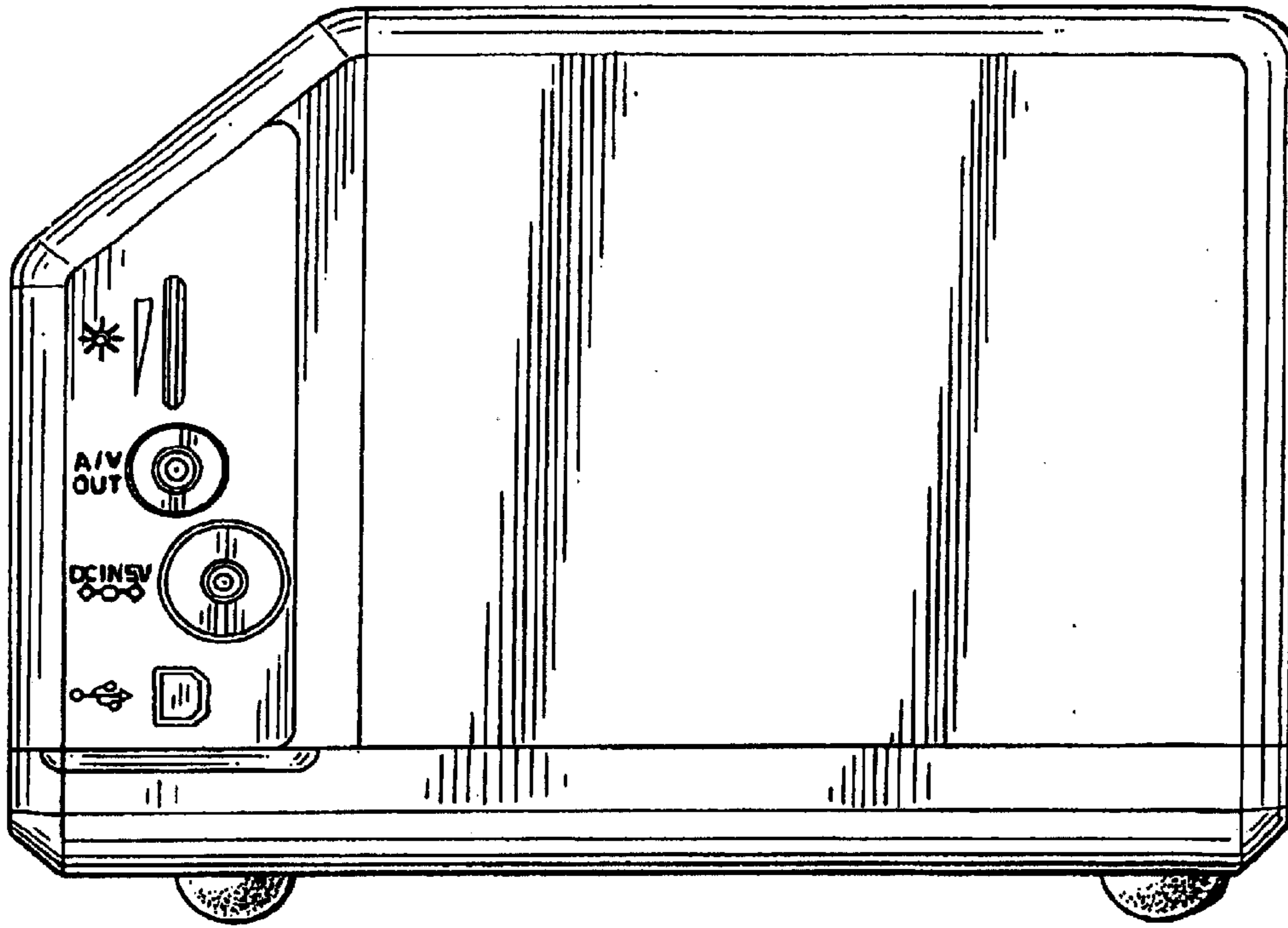


FIG. 4

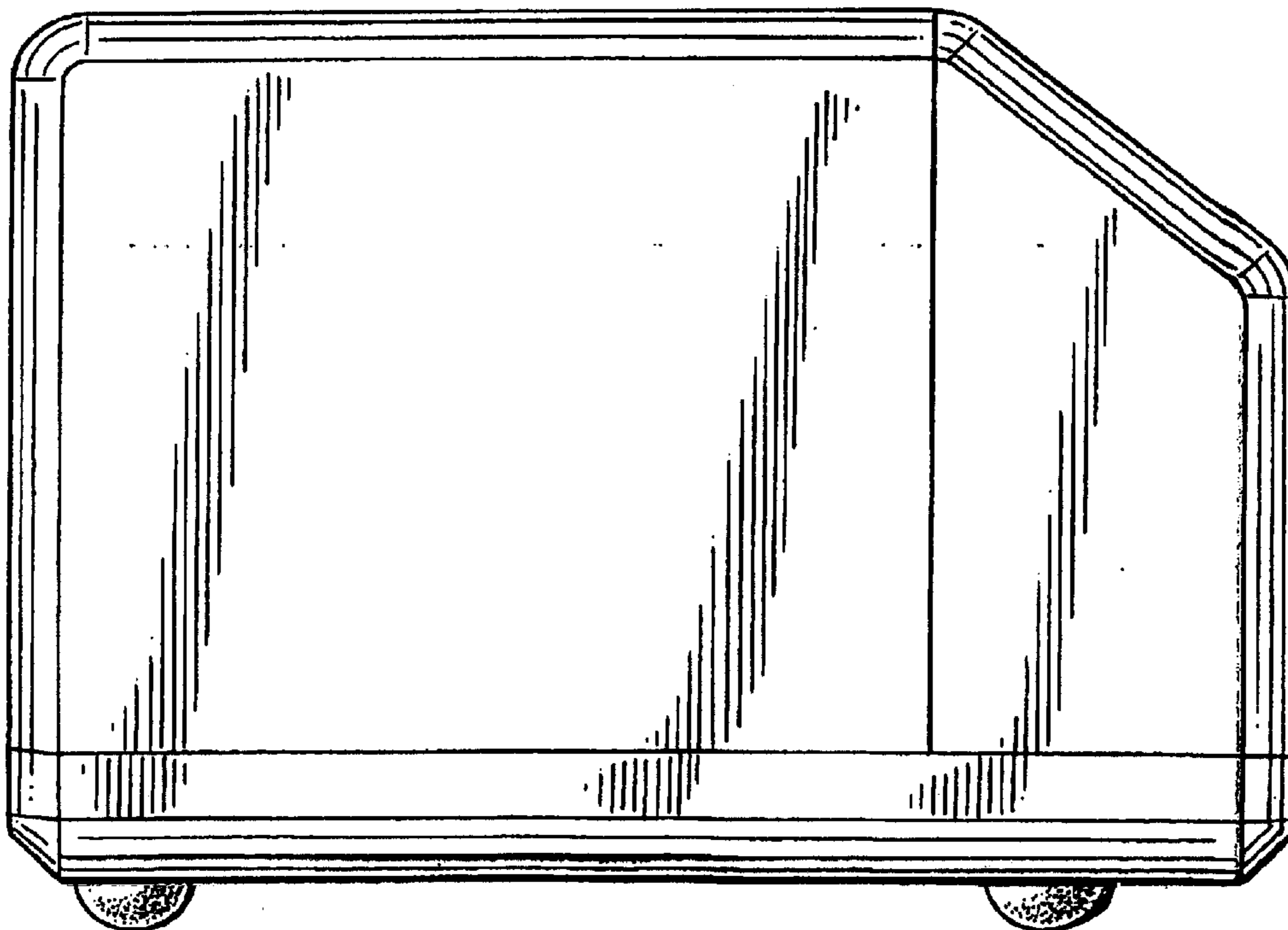


FIG. 6

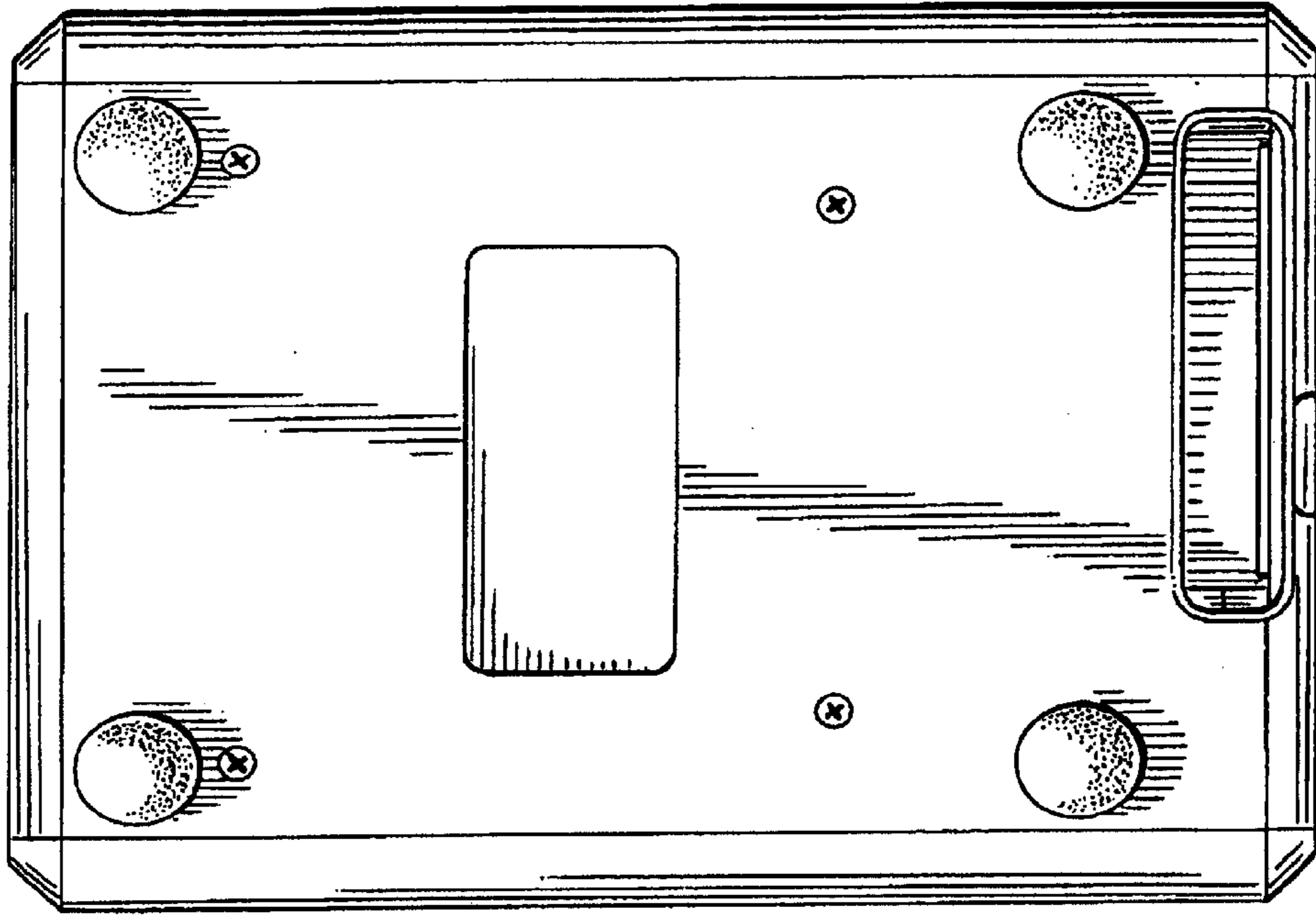


FIG. 5

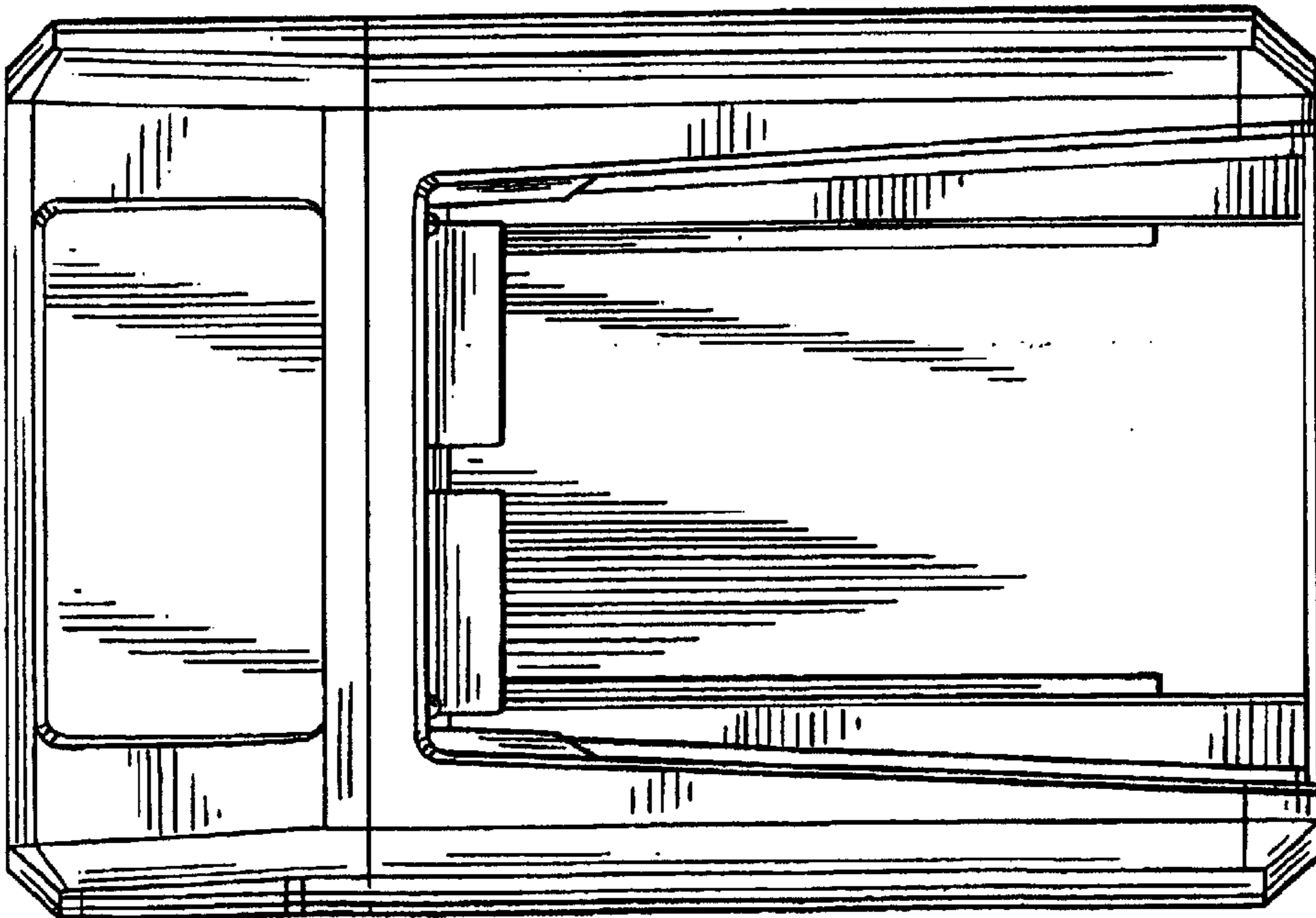


FIG. 7

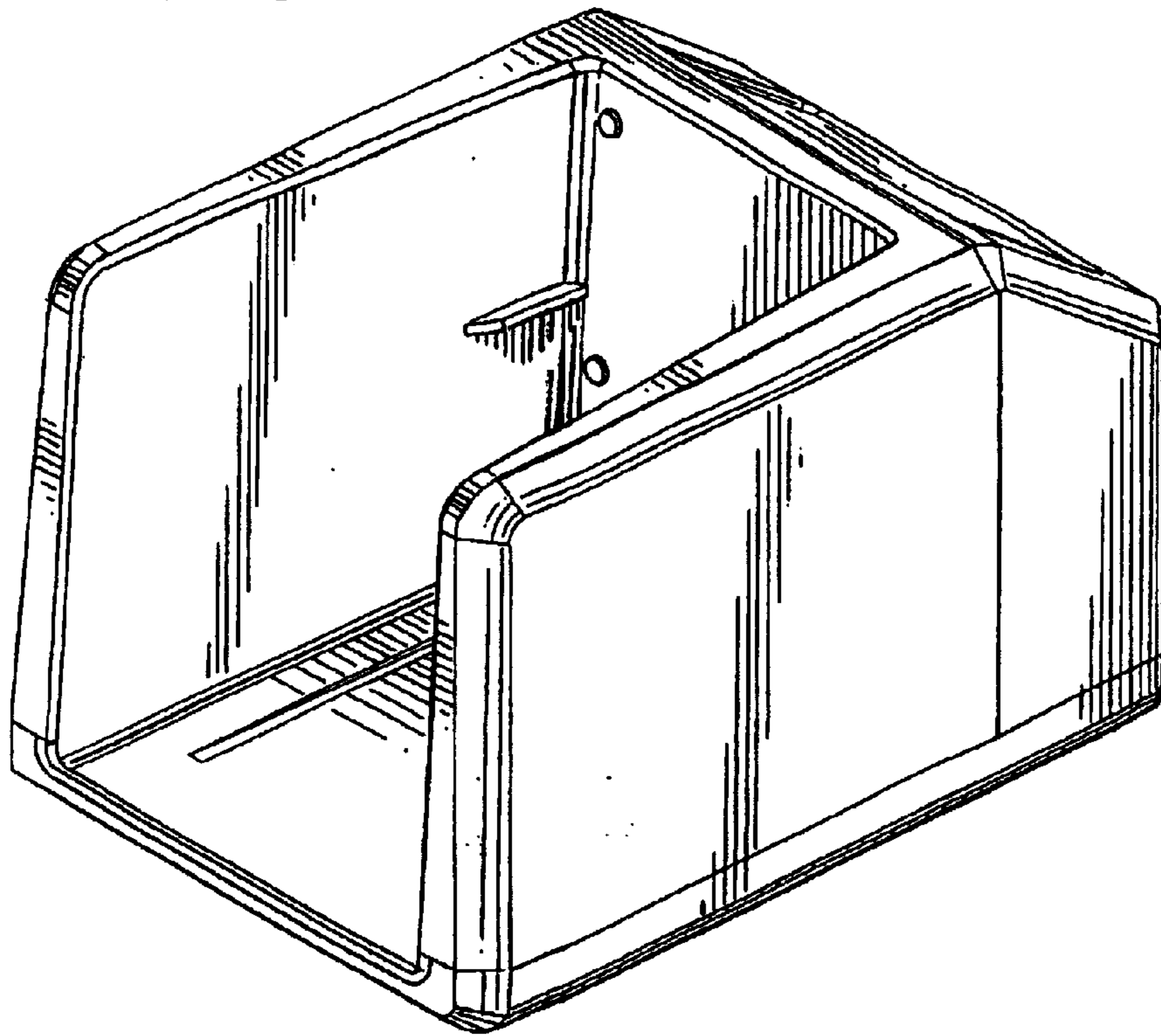


FIG. 8

