



US00D500511S

(12) **United States Design Patent**
Sybilrud

(10) **Patent No.:** **US D500,511 S**
(45) **Date of Patent:** **** Jan. 4, 2005**

(54) **MINI-CAMERA AND HOUSING**

(76) **Inventor:** **Jeff Sybilrud**, 1815 W. 205th St. Unit
208, Torrance, CA (US) 90501

(**) **Term:** **14 Years**

(21) **Appl. No.:** **29/191,961**

(22) **Filed:** **Oct. 17, 2003**

(51) **LOC (7) Cl.** **16-01**

(52) **U.S. Cl.** **D16/203; D16/242**

(58) **Field of Search** **D16/200-205,**
D16/208, 218, 242; 348/143, 373, 374-376;
358/906, 909.1; 396/535-541, 419, 427,
433

(56) **References Cited**

U.S. PATENT DOCUMENTS

- D340,940 S * 11/1993 Ellenberger et al. D16/242
- 5,631,699 A * 5/1997 Saito 348/373
- D392,300 S * 3/1998 Chow et al. D16/203
- D434,057 S * 11/2000 Whitby et al. D16/202
- 6,437,826 B1 * 8/2002 Arnold 396/419

D484,160 S * 12/2003 Kangasmaa D16/203

* cited by examiner

Primary Examiner—Adir Aronovich

(74) *Attorney, Agent, or Firm*—Roger A. Marrs

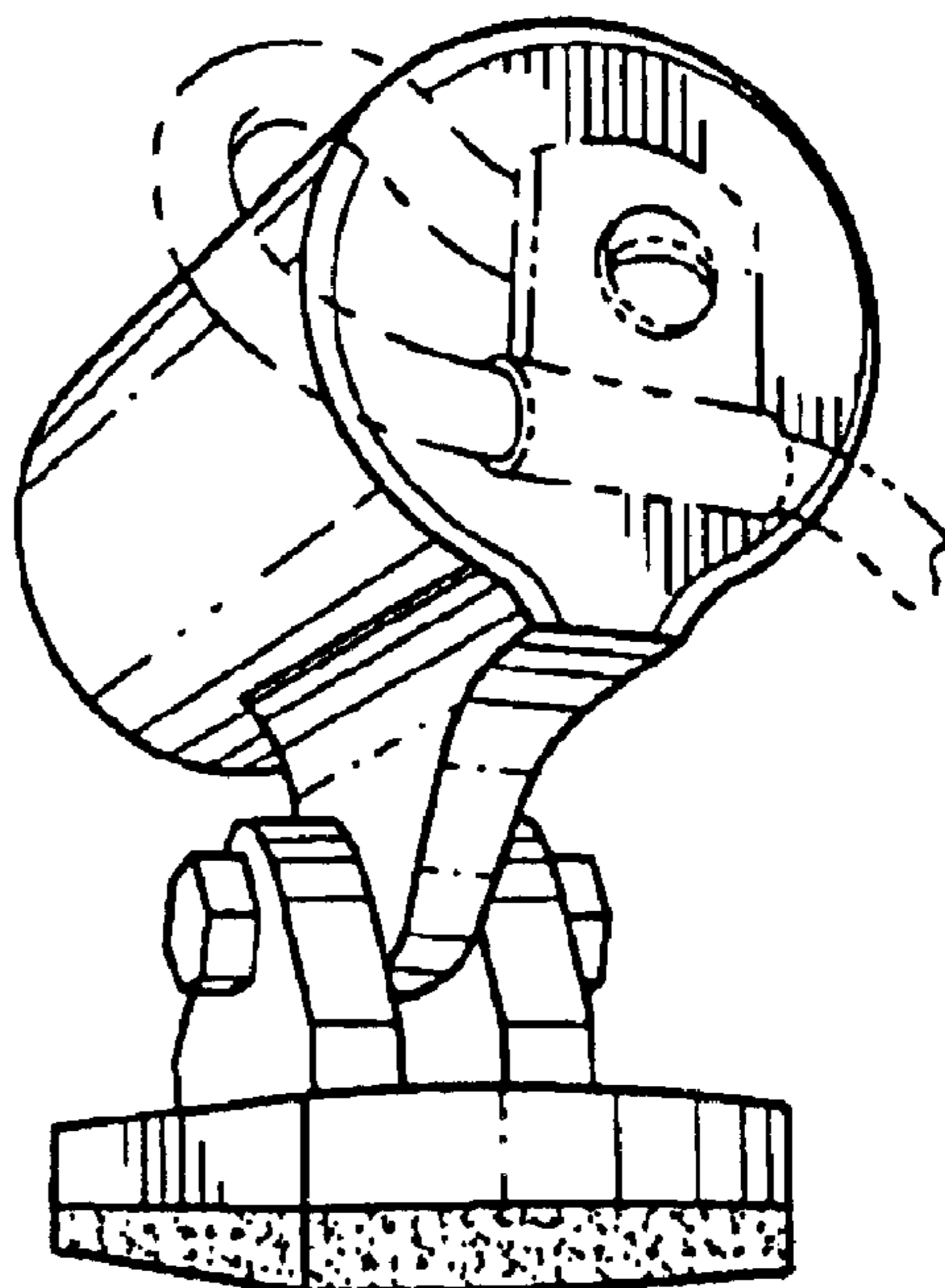
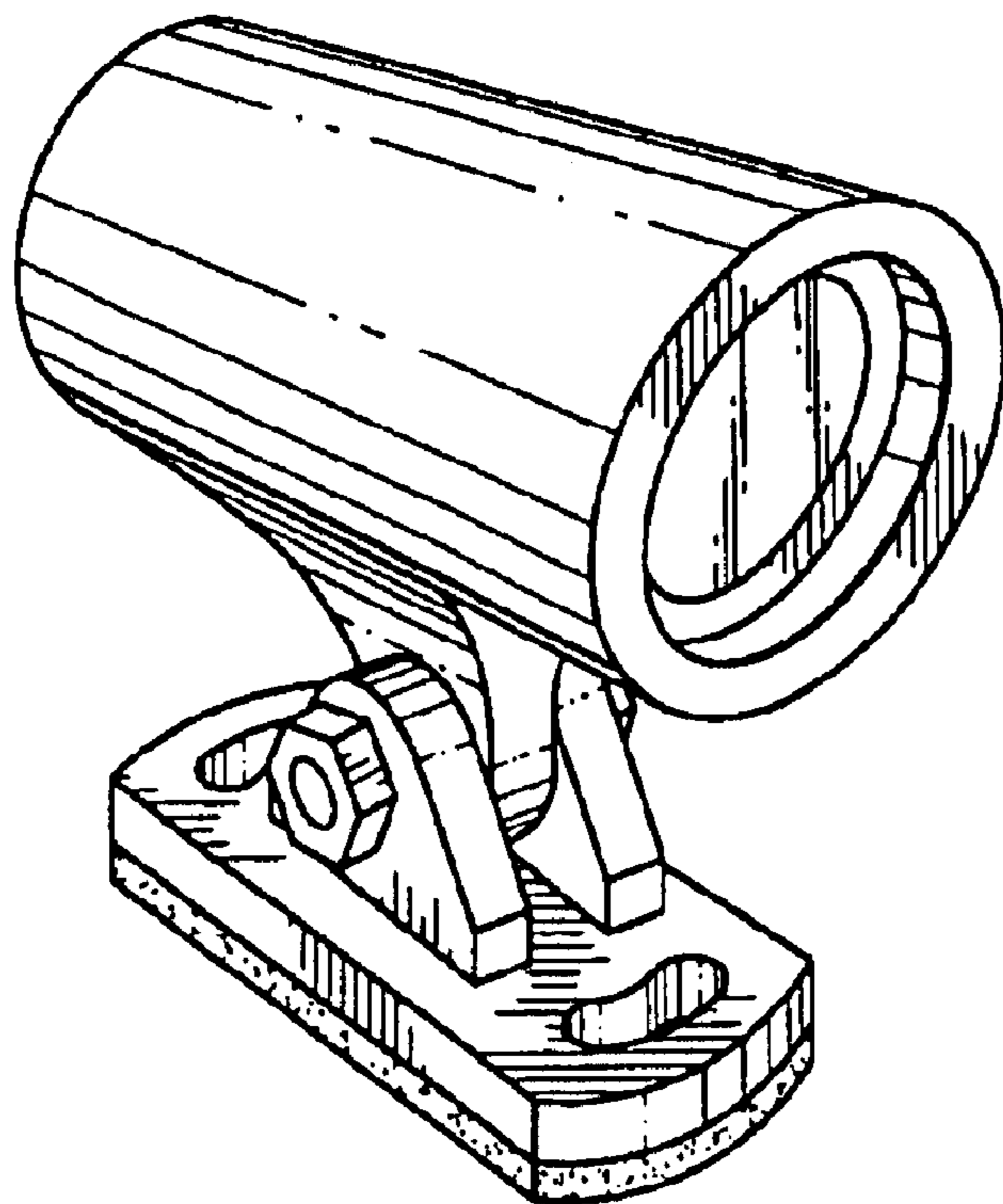
(57) **CLAIM**

The ornamental design for a mini-camera and housing,
substantially as shown and described.

DESCRIPTION

FIG. 1 is a front perspective view of a mini-camera and housing showing my new design;
 FIG. 2 is an enlarged side-elevation view thereof with the opposite side being a mirror image thereof;
 FIG. 3 is a front elevational view thereof;
 FIG. 4 is a rear elevational view thereof;
 FIG. 5 is a top plan view thereof;
 FIG. 6 is a bottom view thereof; and,
 FIG. 7 is a rear perspective view thereof.
 The broken lines shown in FIG. 7 are for illustrative purposes only and form no part of the claimed design.

1 Claim, 1 Drawing Sheet



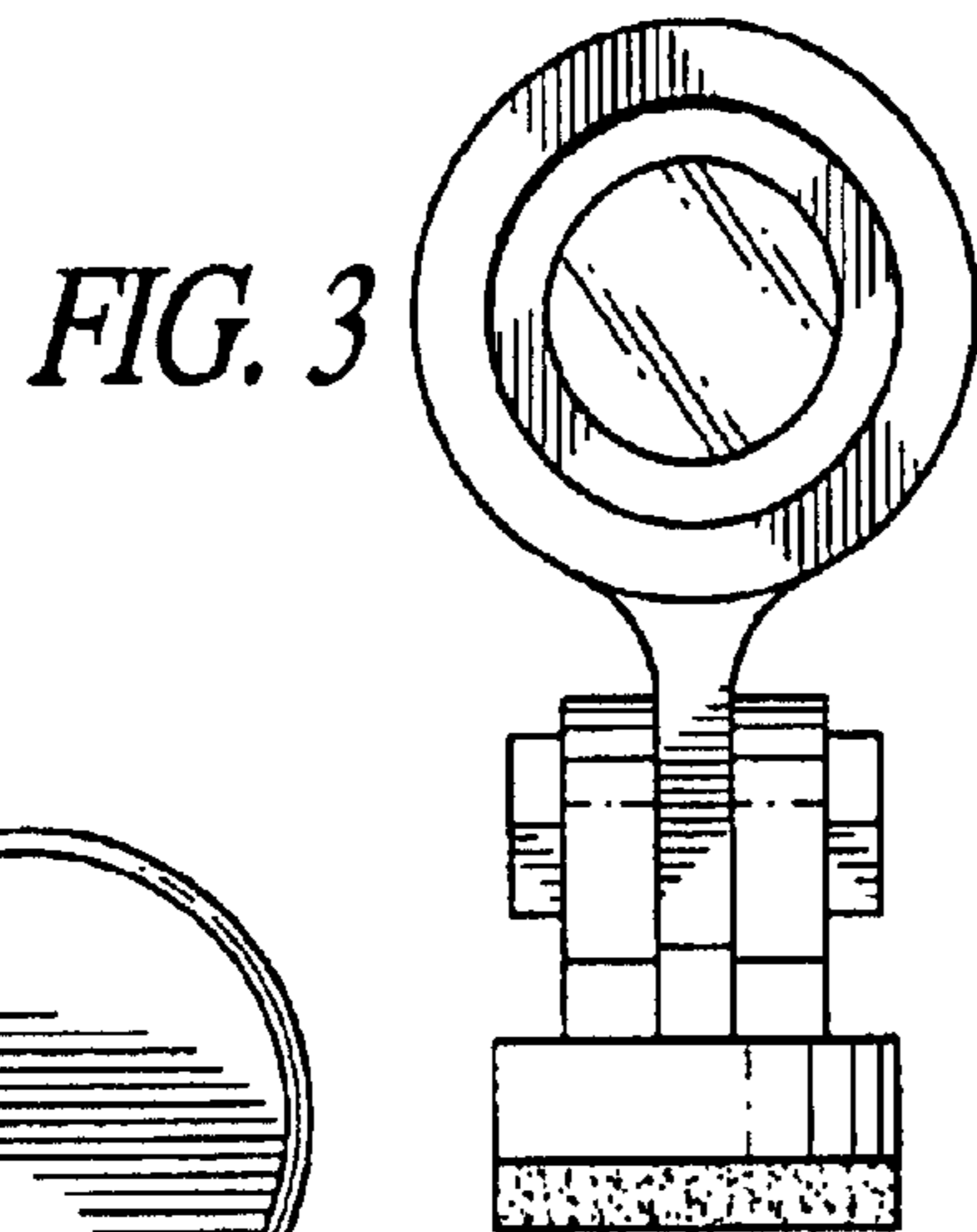
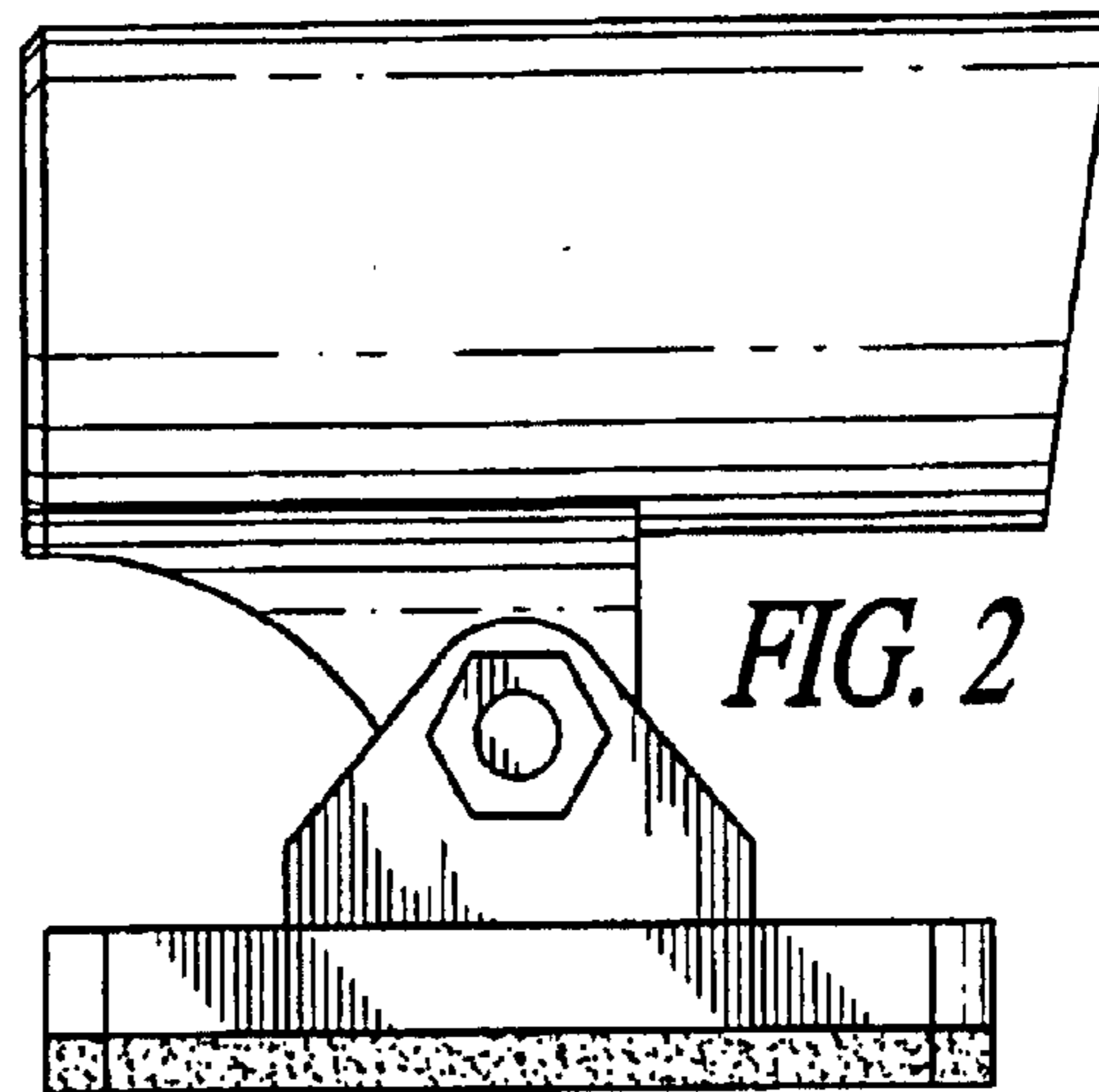
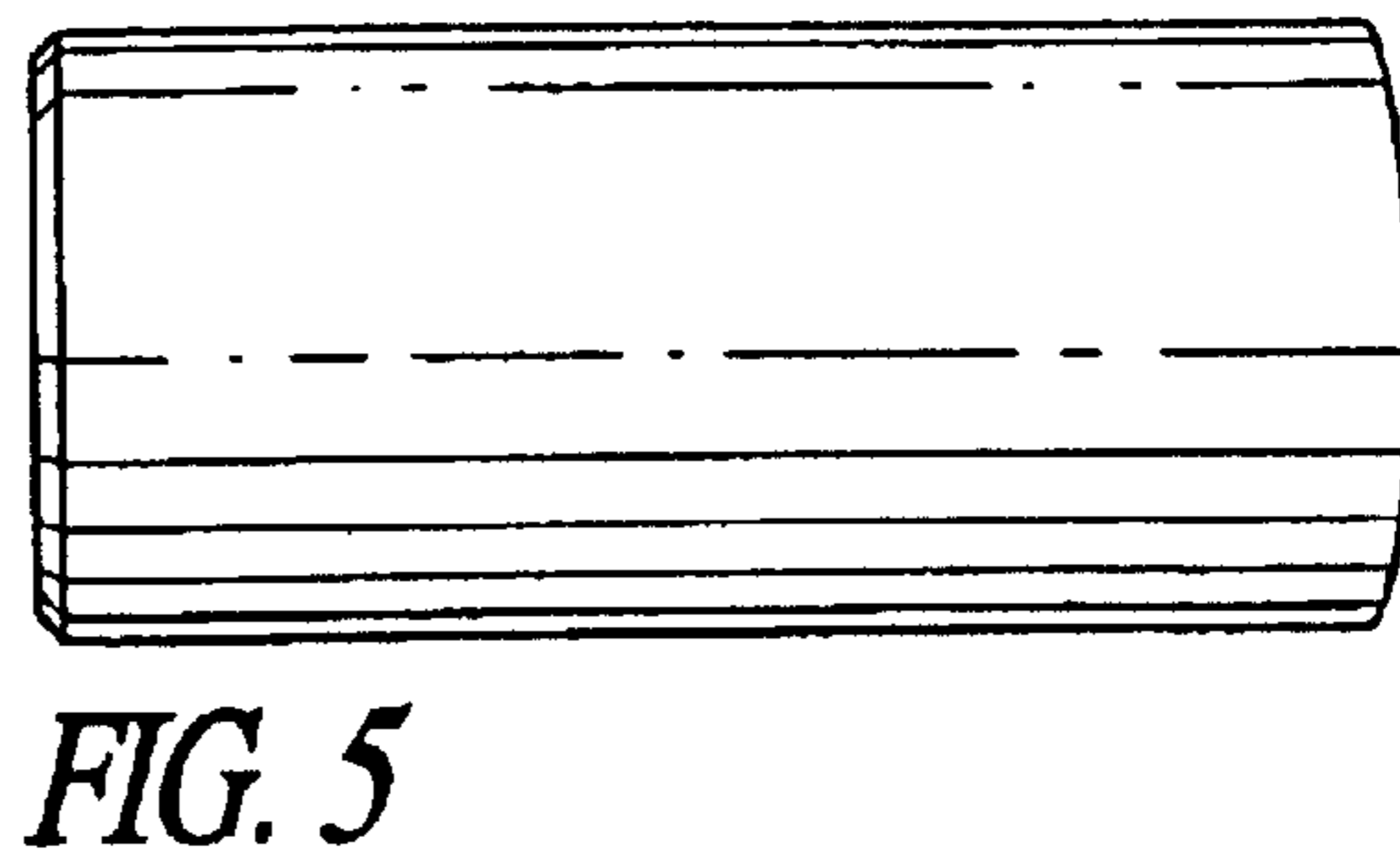
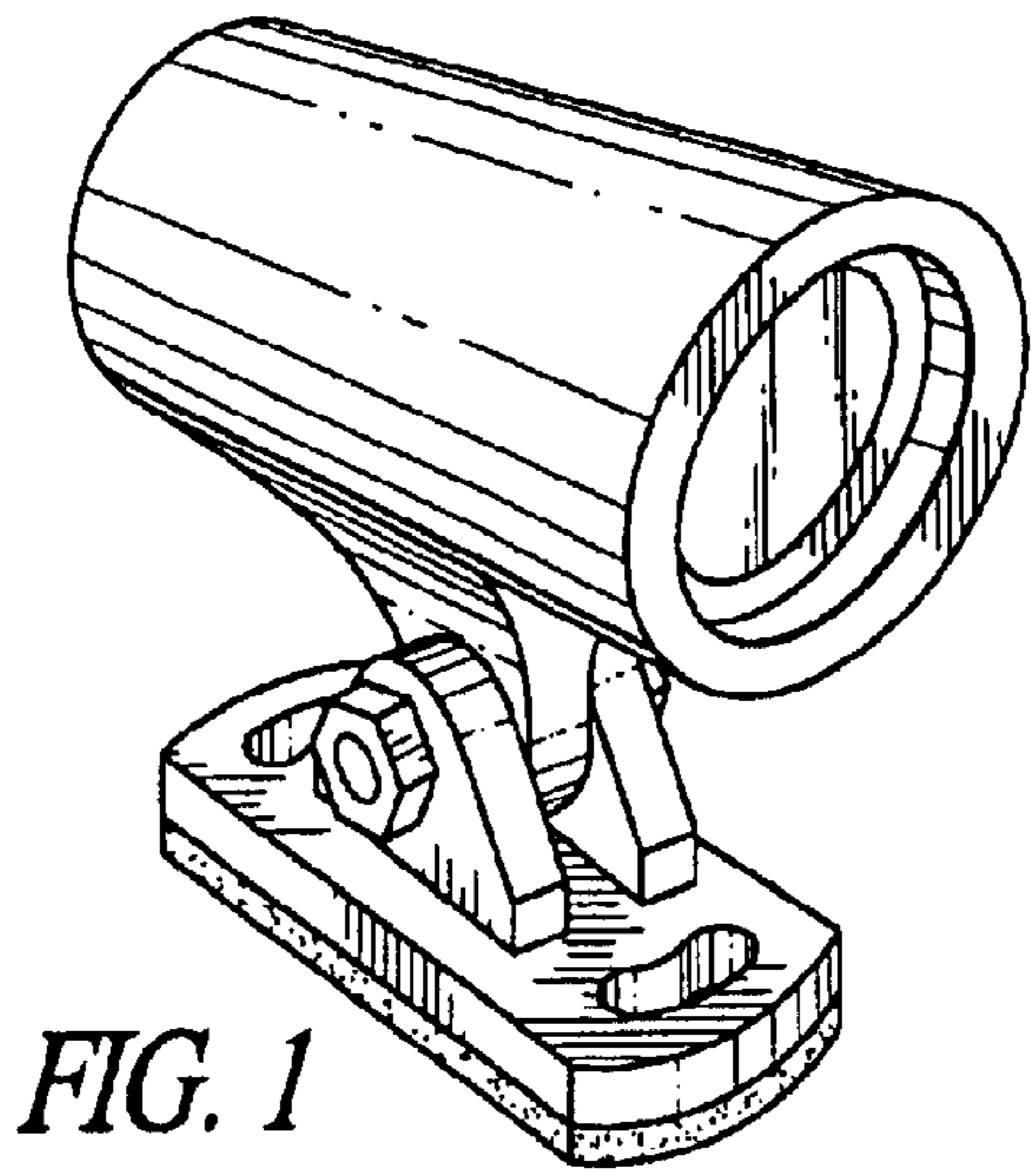


FIG. 6

