

US00D500509S

(12) **United States Design Patent** (10) **Patent No.:** **US D500,509 S**
Nielsen et al. (45) **Date of Patent:** **** Jan. 4, 2005**

(54) **DRIVE UNIT**

(75) Inventors: **Jens Jørgen Nielsen**, Broager (DK);
Finn Jacobsen, Nordborg (DK);
Martin Riis, Nordborg (DK)

(73) Assignee: **Linak A/S**, Nordborg (DK)

(**) Term: **14 Years**

(21) Appl. No.: **29/186,874**

(22) Filed: **Jul. 24, 2003**

Related U.S. Application Data

(62) Division of application No. 29/164,477, filed on Jul. 26, 2002, now Pat. No. Des. 487,902.

(30) **Foreign Application Priority Data**

Jan. 30, 2002	(DK)	2002 00080
Jan. 30, 2002	(DK)	2002 00079
May 1, 2002	(DK)	2002 00357
May 1, 2002	(DK)	2002 00356

(51) **LOC (7) Cl.** **15-09**

(52) **U.S. Cl.** **D15/148**

(58) **Field of Search** D15/148, 149;
192/84.1; 318/560, 135, 687, 640; 310/309,
312

(56) **References Cited**

U.S. PATENT DOCUMENTS

5,055,760 A * 10/1991 Nashiki et al. 318/687

2001/0054533 A1 * 12/2001 Bushey et al. 192/84.1
2003/0173868 A1 * 9/2003 Quarre 310/312

* cited by examiner

Primary Examiner—Antoine D. Davis

(74) *Attorney, Agent, or Firm*—Dykema Gossett PLLC

(57) **CLAIM**

An ornamental design for a drive unit, as shown and described.

DESCRIPTION

FIG. 1 is a perspective side view of the drive unit showing our design,

FIG. 1a is a view similar to FIG. 1 but wherein the drive unit is in an extended state,

FIG. 2 is a perspective side view thereof as seen from the opposite end,

FIG. 2a is a view similar to FIG. 2 but in an extended state,

FIG. 3 is an elevational front view thereof,

FIG. 3a is a view similar to FIG. 3 but in an extended state,

FIG. 4 is an elevational right side view thereof,

FIG. 4a is a view similar to FIG. 4 but in an extended state,

FIG. 5 is a top plan view thereof,

FIG. 5a is a view similar to FIG. 5 in an extended state,

FIG. 6 is an elevational rear view thereof,

FIG. 6a is a view similar to FIG. 6 in an extended state,

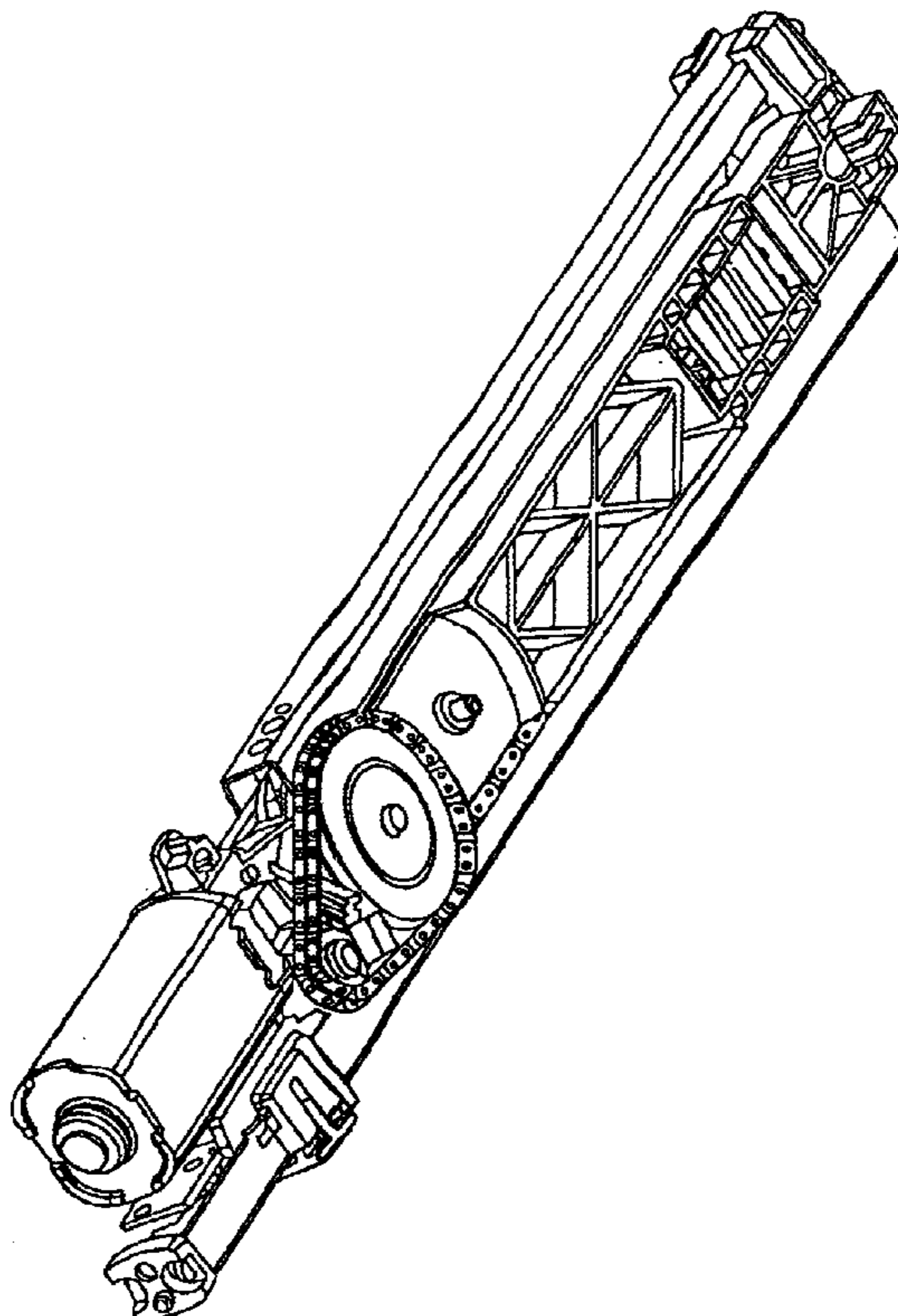
FIG. 7 is an elevational left side view thereof,

FIG. 7a is a view similar to FIG. 7 in an extended state,

FIG. 8 is a bottom plan view thereof; and,

FIG. 8a is a view similar to FIG. 8 in an extended state.

1 Claim, 4 Drawing Sheets



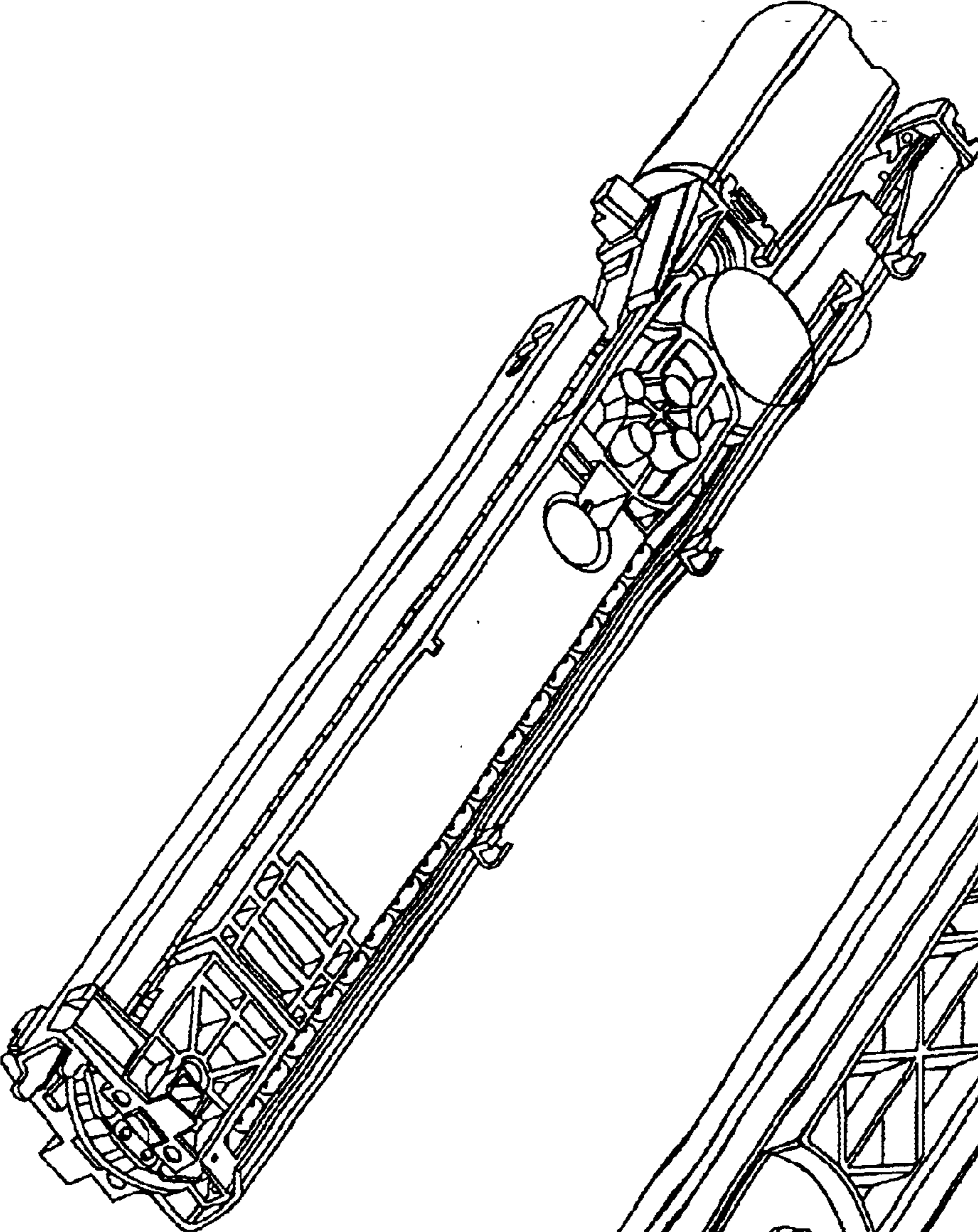


FIG. 2

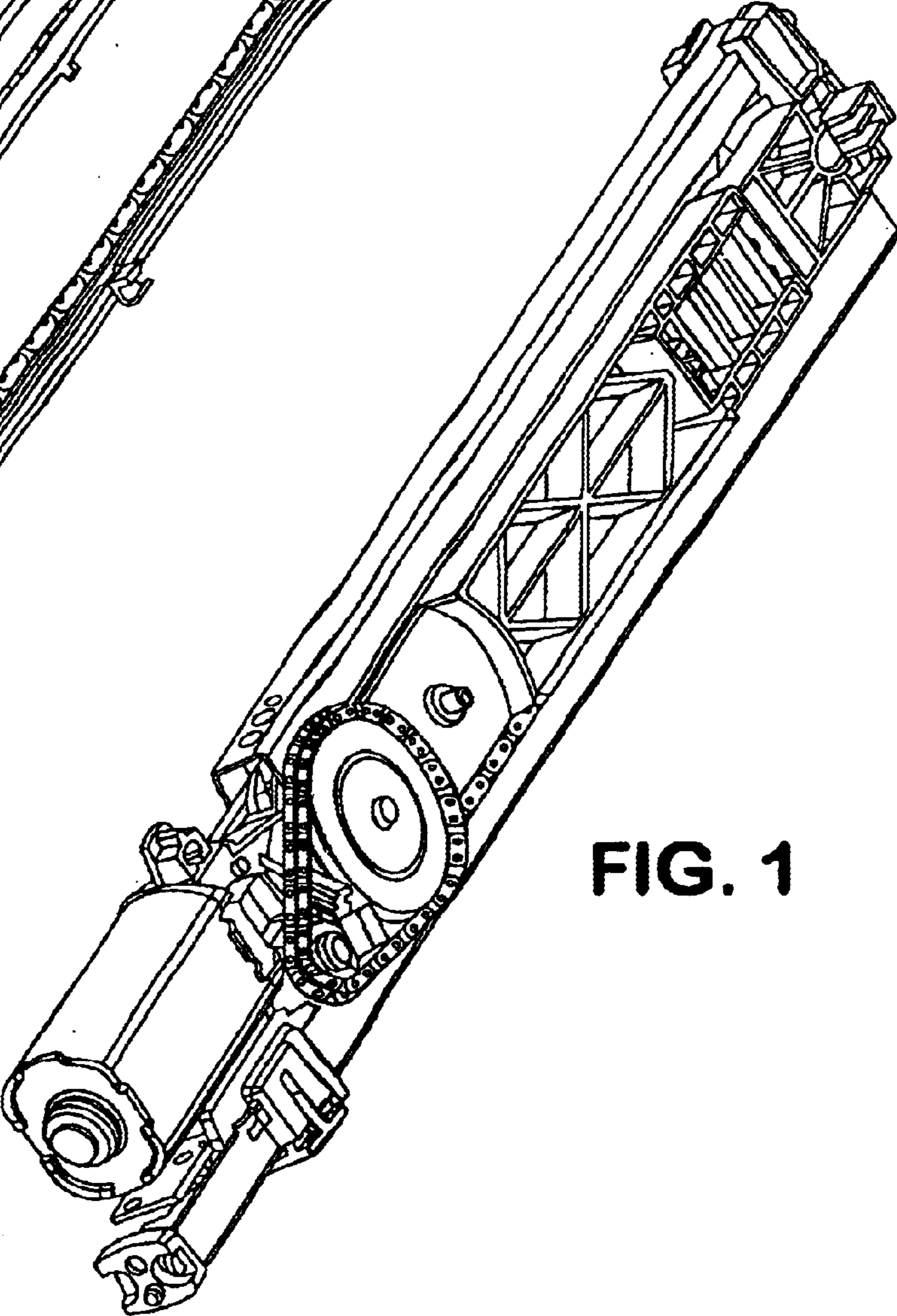


FIG. 1

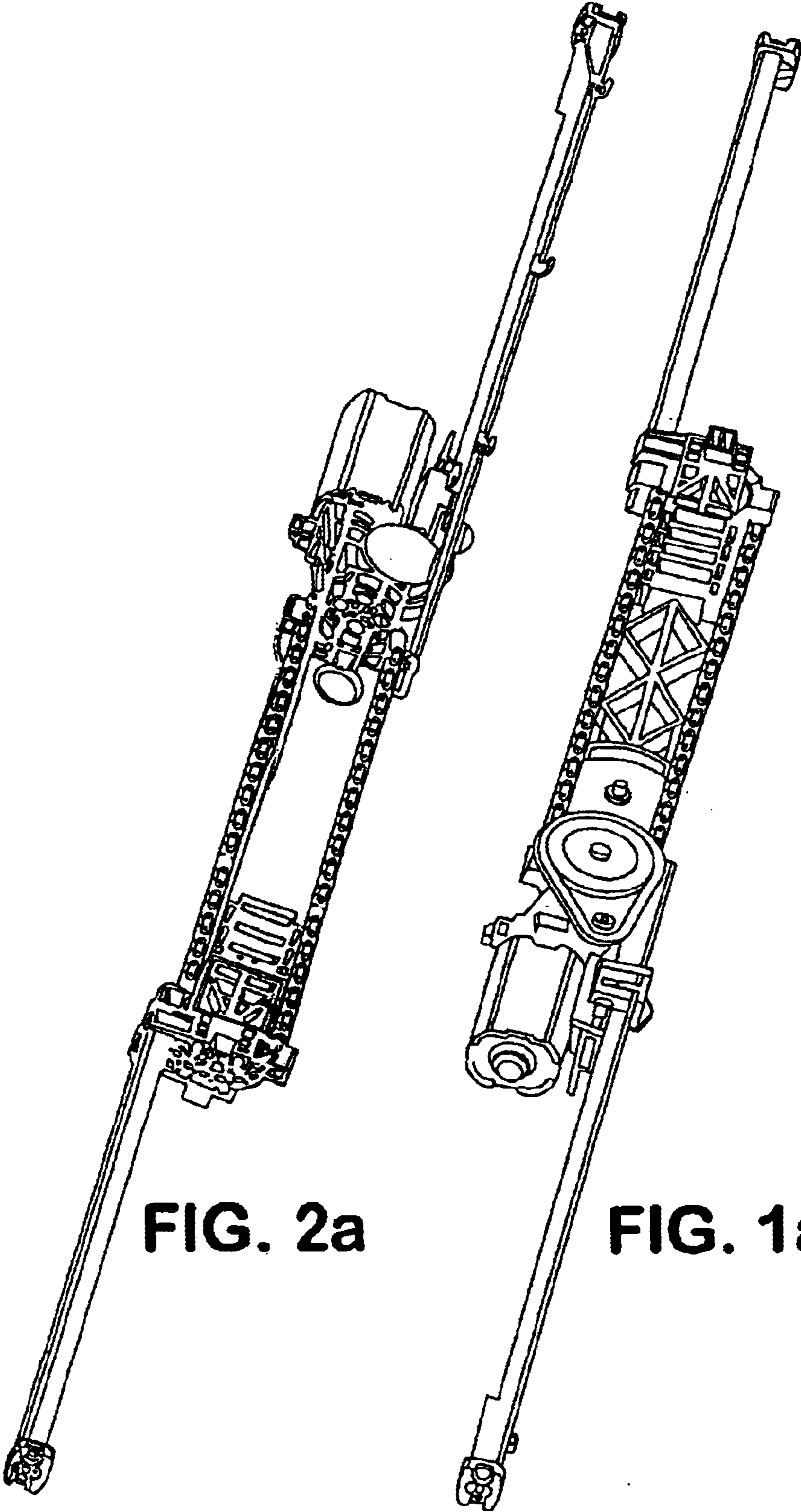


FIG. 2a

FIG. 1a

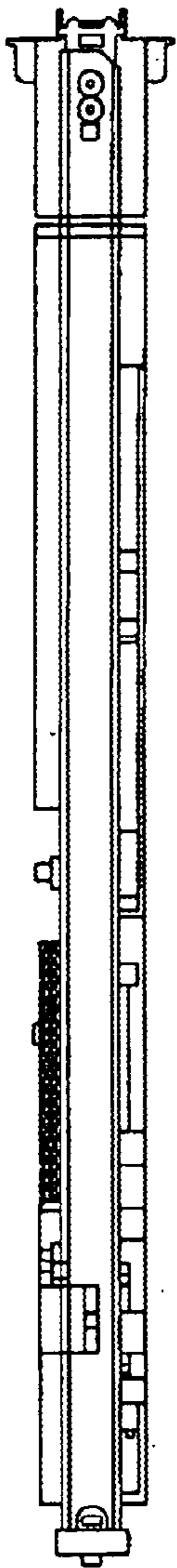


FIG. 6

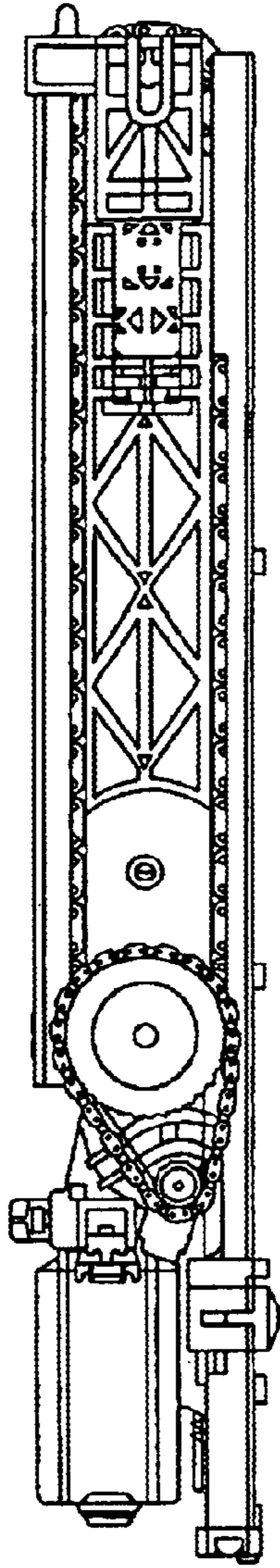


FIG. 4

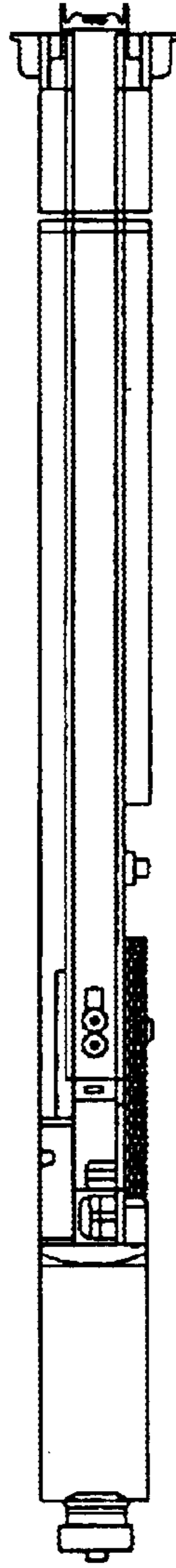


FIG. 3

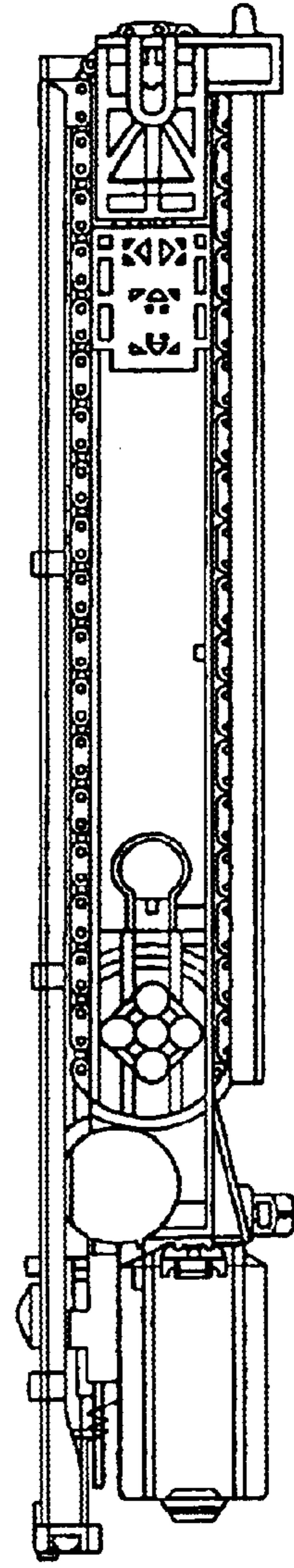


FIG. 7

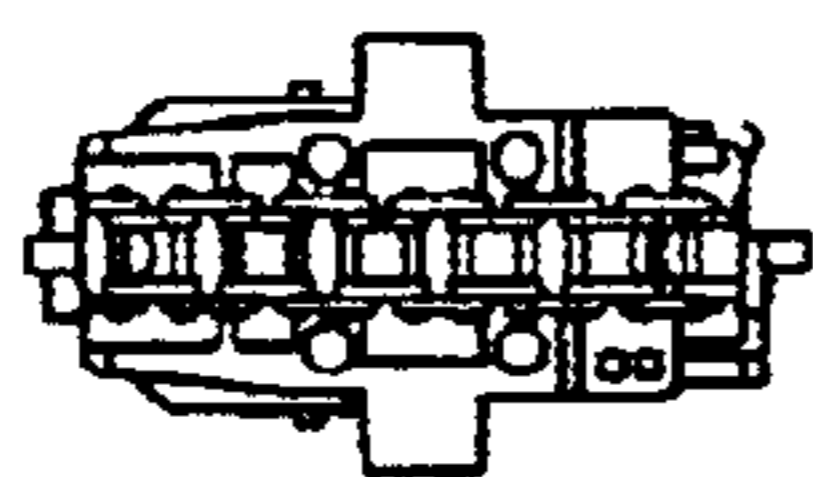


FIG. 5

 **FIG. 8a**

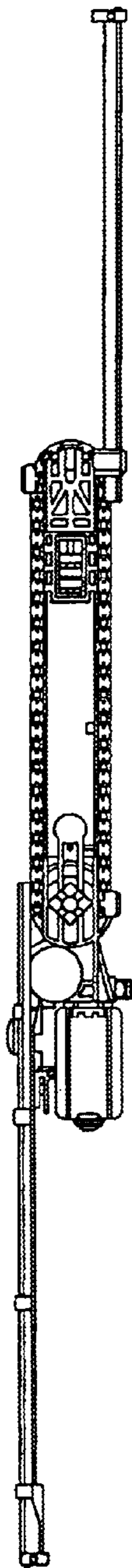


FIG. 6a

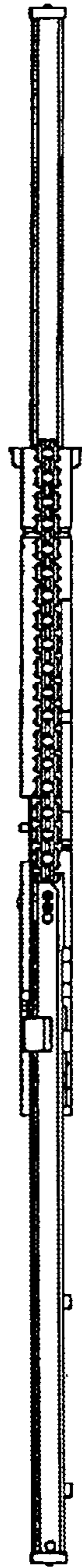


FIG. 4a

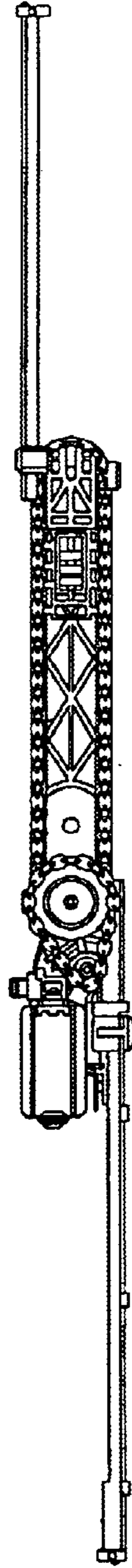


FIG. 3a



FIG. 7a

 **FIG. 5a**

UNITED STATES PATENT AND TRADEMARK OFFICE
CERTIFICATE OF CORRECTION

PATENT NO. : Des. 500,509 S
DATED : January 4, 2005
INVENTOR(S) : Jens Jorgen Nielsen and Finn Jacobsen

Page 1 of 1

It is certified that error appears in the above-identified patent and that said Letters Patent is hereby corrected as shown below:

Title page.

Item [75], should read as follows:

-- [75] Inventors: **Jens Jorgen Nielsen**, Broager (DK)
Finn Jacobsen, Nordborg (DK) --

Signed and Sealed this

Third Day of May, 2005

A handwritten signature in black ink on a light gray dotted background. The signature reads "Jon W. Dudas" in a cursive style.

JON W. DUDAS

Director of the United States Patent and Trademark Office

UNITED STATES PATENT AND TRADEMARK OFFICE
CERTIFICATE OF CORRECTION

PATENT NO. : Des. 500,509 S
DATED : January 4, 2005
INVENTOR(S) : Jens Jorgen Nielsen and Finn Jacobsen

Page 1 of 1

It is certified that error appears in the above-identified patent and that said Letters Patent is hereby corrected as shown below:

Title page.

Item [75], Inventors, "**Martin Riis**, Nordborg (DK)" (as deleted by Certificate of Correction issued May 3, 2005) is to be reinserted.

Item [75], Inventors, should read:

-- **Jens Jorgen Nielsen**, Broager (DK)
Finn Jacobsen, Nordborg (DK)
Martin Riis, Nordborg (DK) --.

Signed and Sealed this

Thirtieth Day of August, 2005

A handwritten signature in black ink on a dotted background. The signature reads "Jon W. Dudas" in a cursive style.

JON W. DUDAS

Director of the United States Patent and Trademark Office