

US00D500508S

(12) **United States Design Patent**
Chiu

(10) **Patent No.:** **US D500,508 S**

(45) **Date of Patent:** **** Jan. 4, 2005**

(54) **REFRIGERANT RECOVERY SYSTEM**

(76) **Inventor:** **Shu-Lin Chiu**, P.O. Box 36-80,
Taichung City (TW)

(**) **Term:** **14 Years**

(21) **Appl. No.:** **29/197,488**

(22) **Filed:** **Jan. 14, 2004**

(51) **LOC (7) Cl.** **15-07**

(52) **U.S. Cl.** **D15/79**

(58) **Field of Search** **D15/79; D23/332,**
D23/335; 62/77, 149, 292, 79

(56) **References Cited**

U.S. PATENT DOCUMENTS

D344,527 S * 2/1994 Drago et al. D15/79

D445,117 S * 7/2001 Heber et al. D15/79

D449,842 S * 10/2001 Borre et al. D15/79

* cited by examiner

Primary Examiner—Mitchell Siegel

(74) *Attorney, Agent, or Firm*—Charles E. Baxley

(57) **CLAIM**

The ornamental design for refrigerant recovery system, as shown and described.

DESCRIPTION

FIG. 1 is a perspective view of a refrigerant recovery system showing our new design thereof;

FIG. 2 is a front elevational view thereof;

FIG. 3 is a rear elevational view thereof;

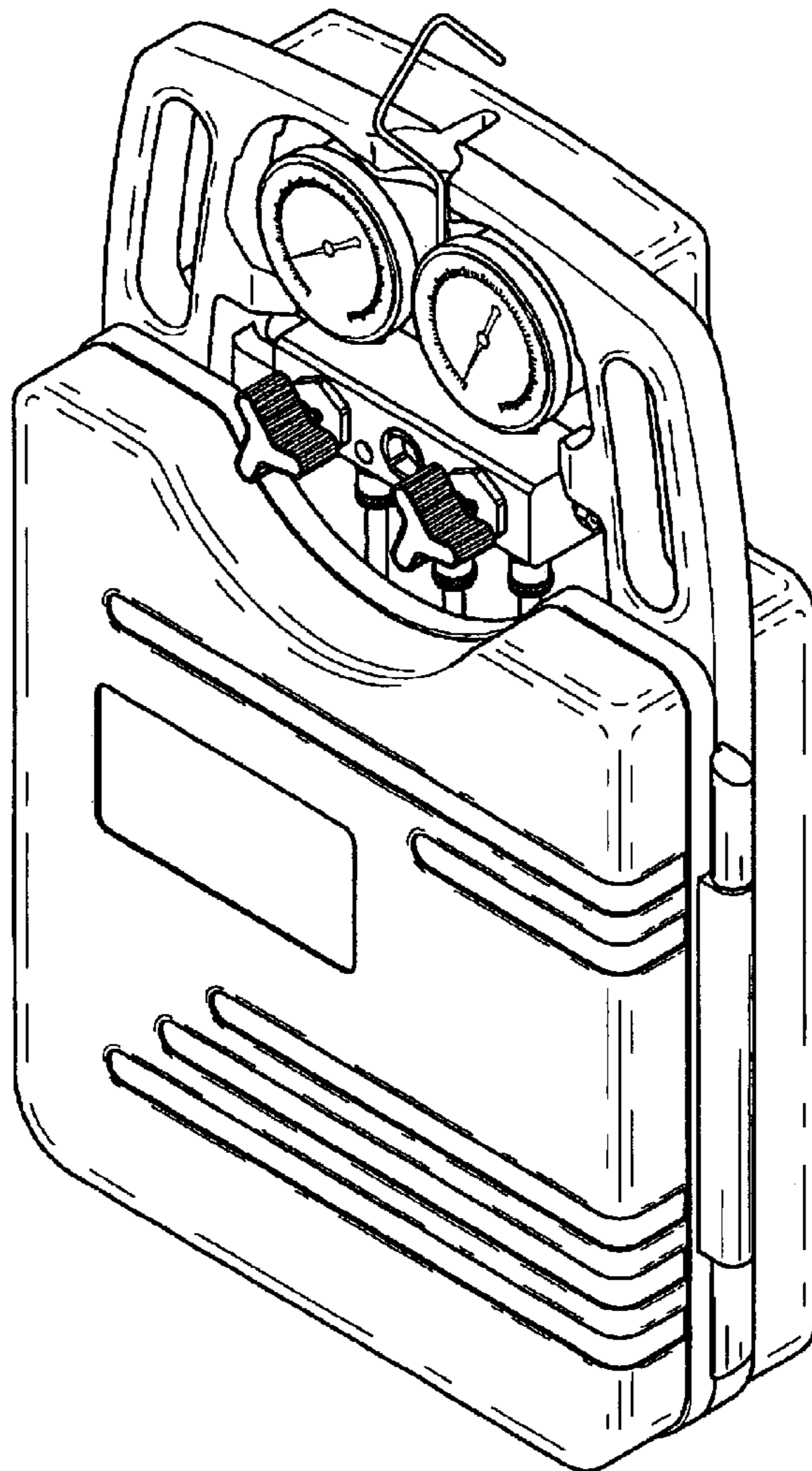
FIG. 4 is a left side elevational view thereof;

FIG. 5 is a right side elevational view thereof;

FIG. 6 is a top plan view thereof; and,

FIG. 7 is a bottom plan view thereof.

1 Claim, 4 Drawing Sheets



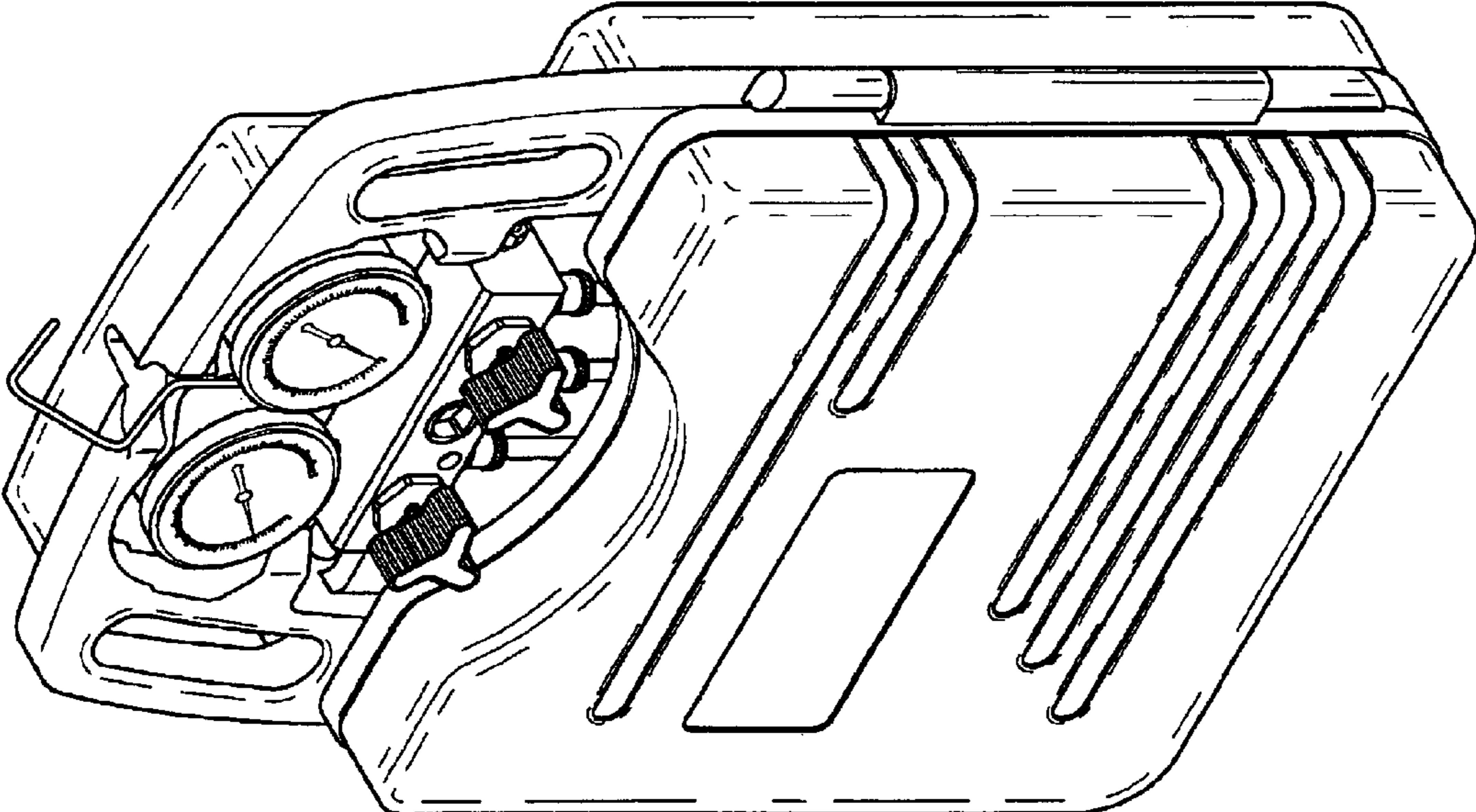


FIG. 1

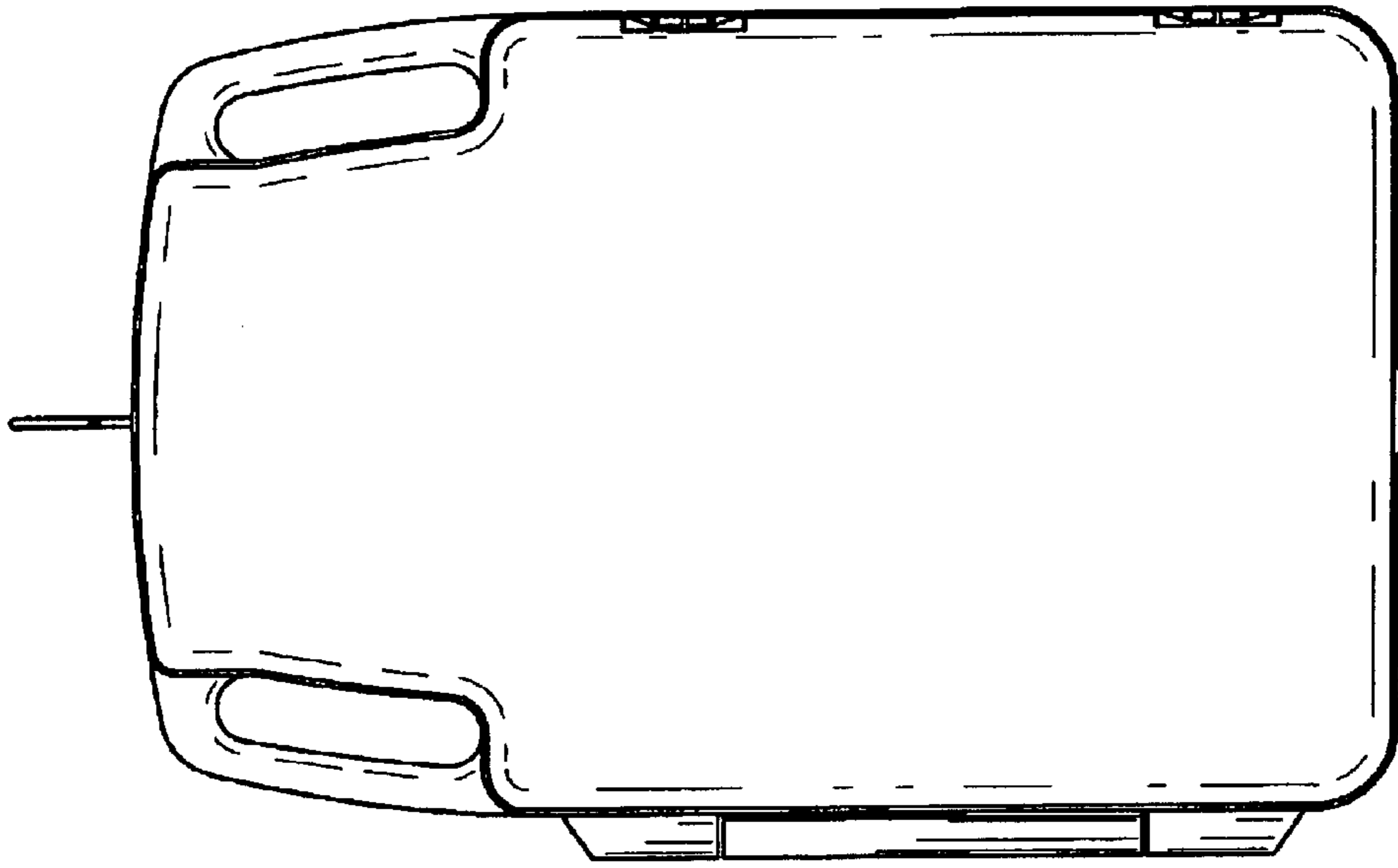


FIG. 3

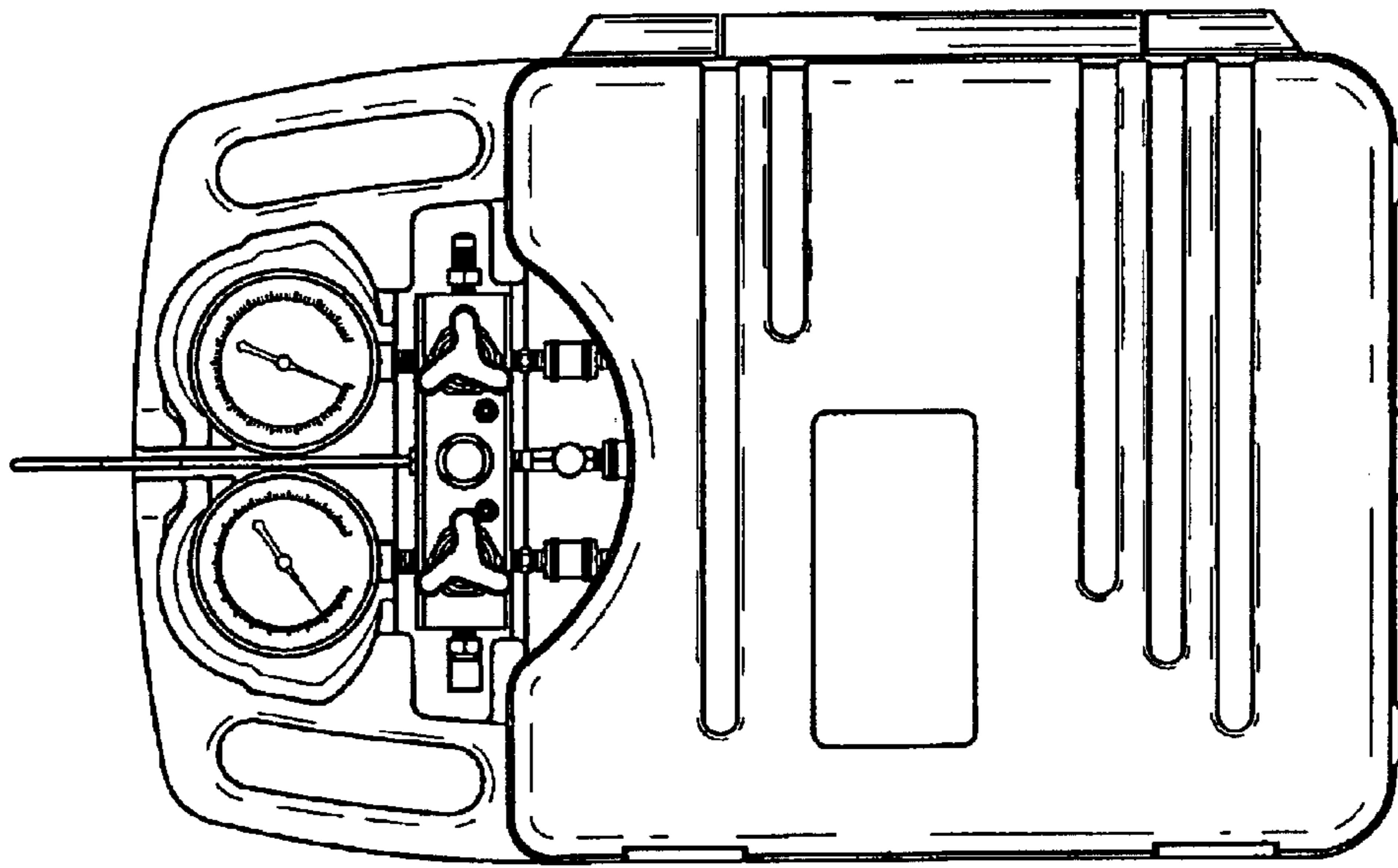


FIG. 2

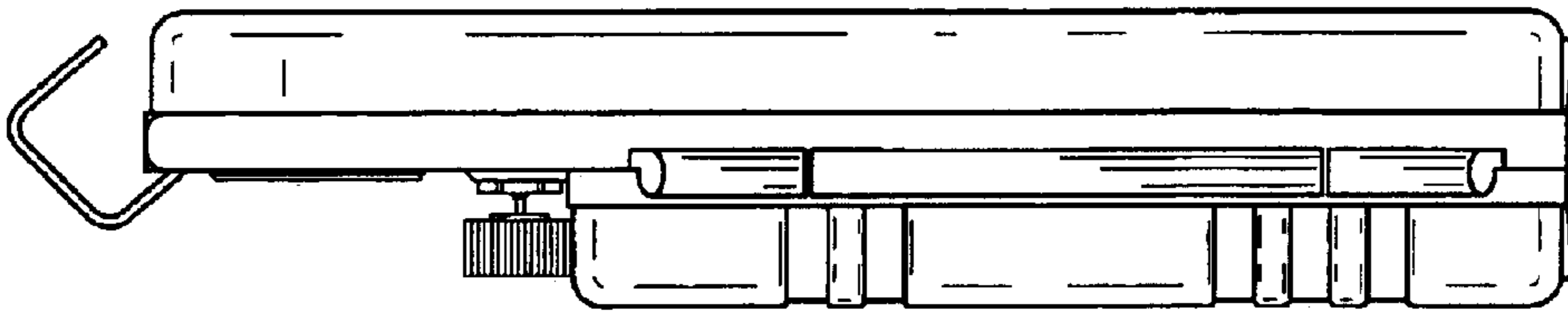


FIG. 5

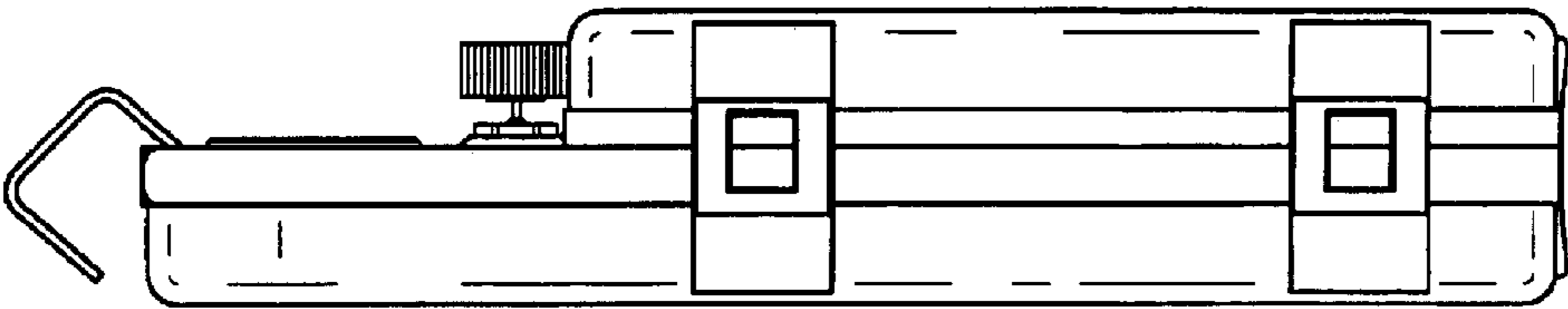


FIG. 4

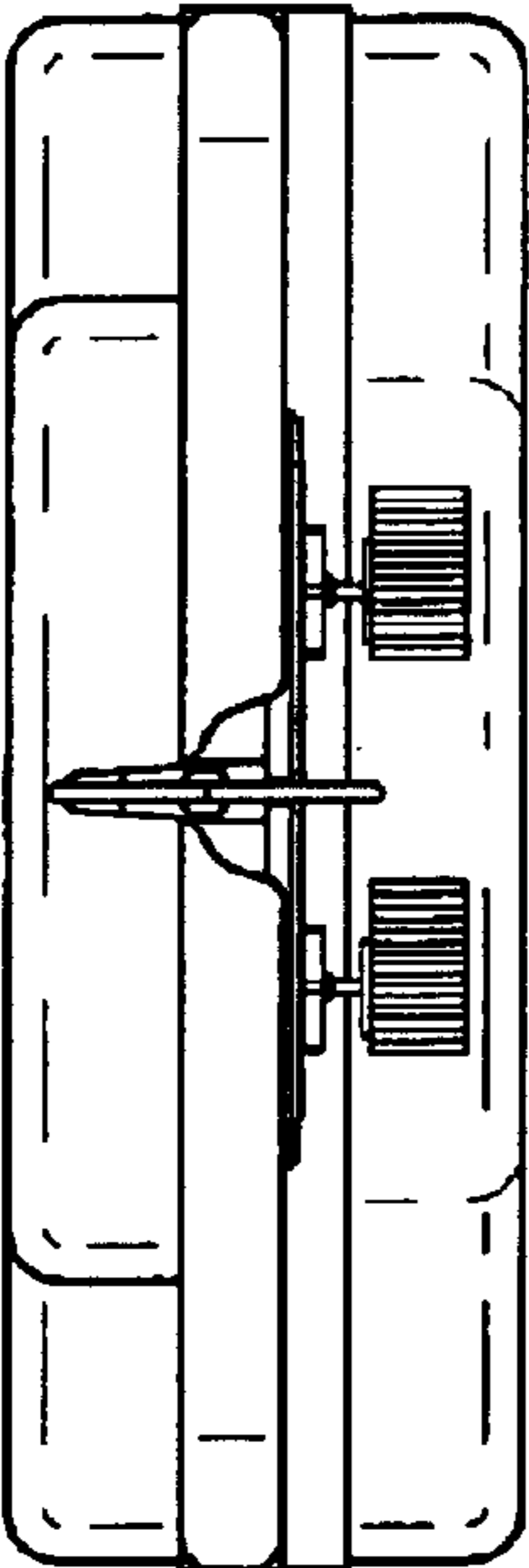


FIG. 6

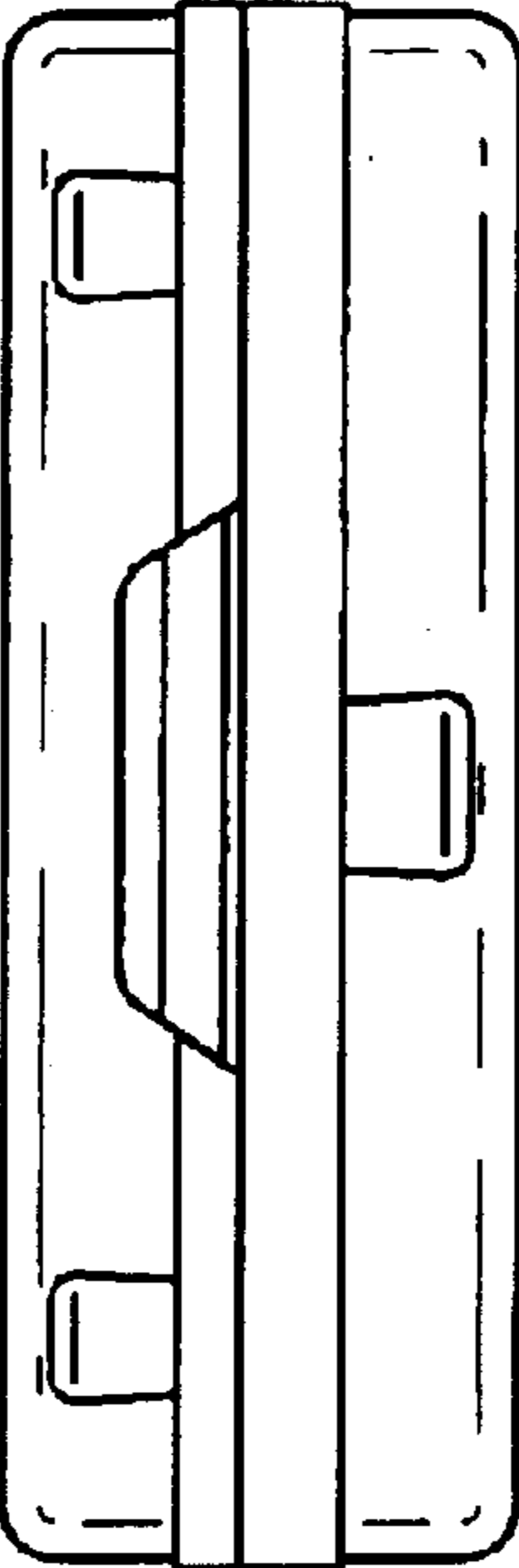


FIG. 7