



US00D500506S

(12) **United States Design Patent** (10) **Patent No.:** **US D500,506 S**  
**Simpson et al.** (45) **Date of Patent:** **\*\* Jan. 4, 2005**

(54) **COUPLING BETWEEN CEMENT MIXING CHAMBER AND STAND**

(75) Inventors: **Andrew Edwin Simpson**, Buxton (GB); **Martin James Hall**, Buxton (GB)

(73) Assignee: **Belle Engineering (Sheen) Limited**, Buxton (GB)

(\*\*) Term: **14 Years**

(21) Appl. No.: **29/197,378**

(22) Filed: **Jan. 14, 2004**

(30) **Foreign Application Priority Data**

Jul. 14, 2003 (EM) ..... 51586

(51) **LOC (7) Cl.** ..... **15-03**

(52) **U.S. Cl.** ..... **D15/19**

(58) **Field of Search** ..... D15/10, 19, 28; 366/53, 54, 62, 63, 233; D8/349, 382, 383

(56) **References Cited**

**U.S. PATENT DOCUMENTS**

- D237,901 S \* 12/1975 Moran ..... D15/19
- D246,243 S \* 11/1977 Violet et al. .... D15/19
- D260,150 S \* 8/1981 Palmer ..... D15/19
- D278,150 S \* 3/1985 Burenga ..... D15/19
- D319,832 S \* 9/1991 Ross ..... D15/19
- D421,613 S \* 3/2000 Shiotani ..... D15/19

**OTHER PUBLICATIONS**

Photo, Cement Mixer, 1 pg., <http://www.thriftway.net/services/rentals/cement-mixer.jpg>, Jan. 20, 2004.

Photo, Cement Mixer MC 130, 1 pg, [http://www.george-higgins.co.uk/cement\\_mixer.htm](http://www.george-higgins.co.uk/cement_mixer.htm), Jan. 20, 2004.

Photo, Cement Mixer, 1 pg, <http://www.worksaver.com/mix/580mix3.gif>, Jan. 20, 2004.

Photo, Cement Mixer, 1 pg, <http://www.harborfreight.com/cpi/photos/47500-47599/47558.gif>, Jan. 20, 2004.

“Berland’s Brainbuster”, Berland’s House of Tools, 1pg, <http://www.berlandtools.com/specials/brainbuster.html>, Jan. 20, 2004.

\* cited by examiner

*Primary Examiner*—Mitchell Siegel

(74) *Attorney, Agent, or Firm*—Bracewell & Patterson, L.L.P.

(57) **CLAIM**

The ornamental design for a coupling between cement mixing chamber and stand, as shown and described.

**DESCRIPTION**

FIG. 1 is a perspective view from front and right side of a coupling located between a cement mixer and a stand embodying our new design, the cement mixer and the stand being shown in broken lines for illustrative purposes only, the coupling comprising a bracket, a lower portion of an upper tube extending from the cement mixer, and the upper portions of the tubes that form the stand.

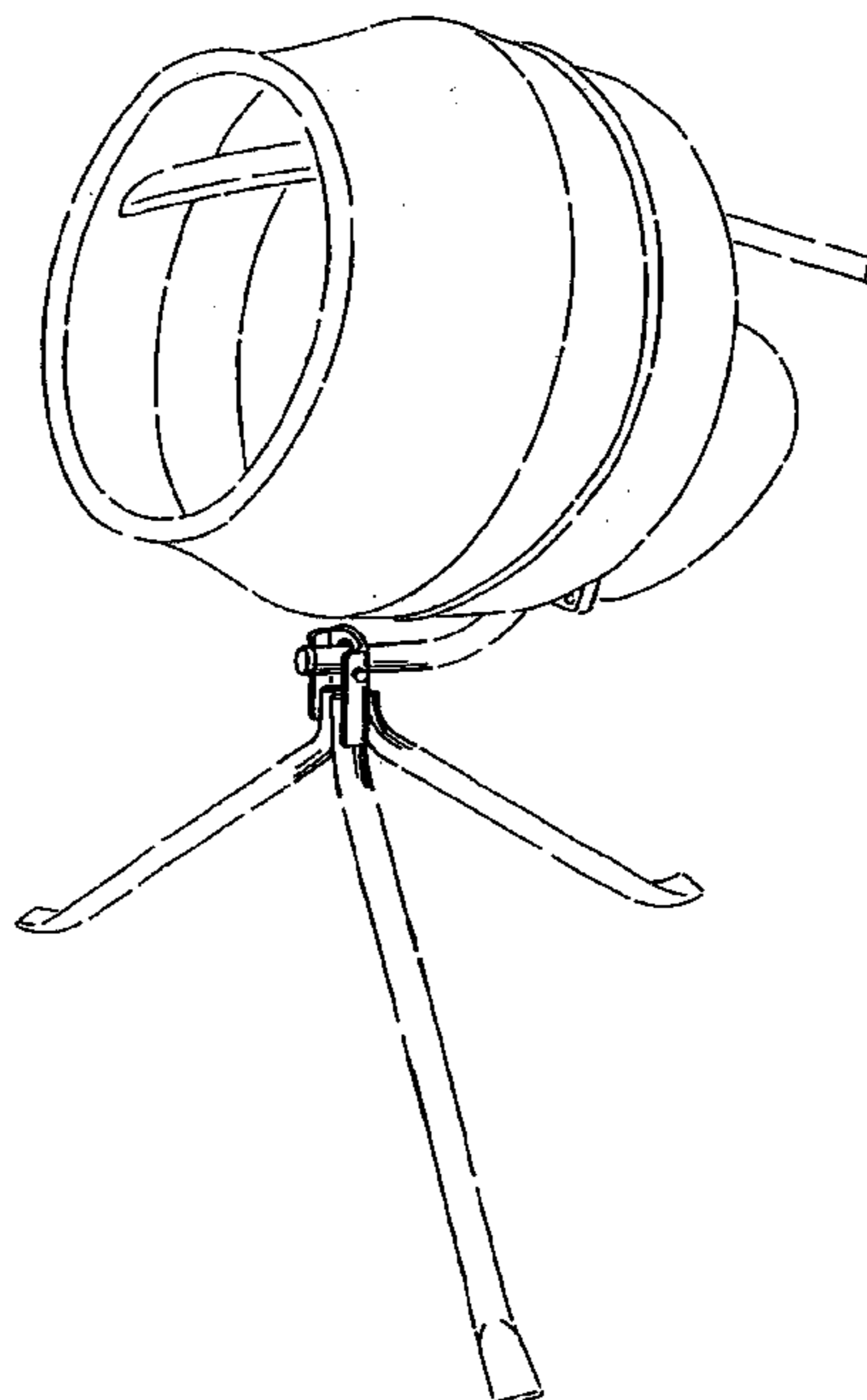
FIG. 2 is a perspective view from the front and above of the coupling.

FIG. 3 is a perspective view from front and right side of the coupling in an alternative position.

FIG. 4 is a perspective view from rear and left side of the coupling; and,

FIG. 5 is a view from front and above of the coupling.

**1 Claim, 5 Drawing Sheets**



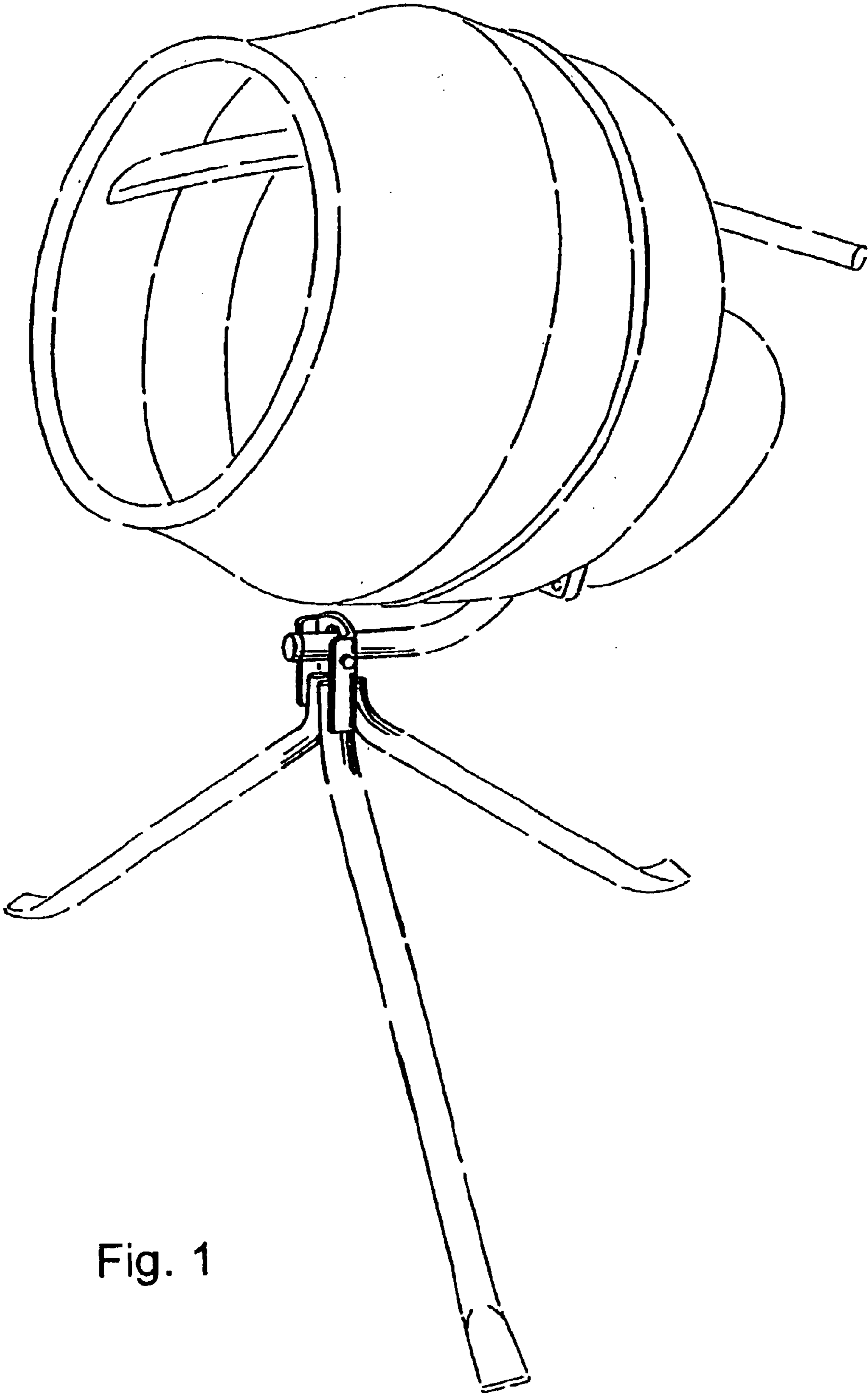


Fig. 1

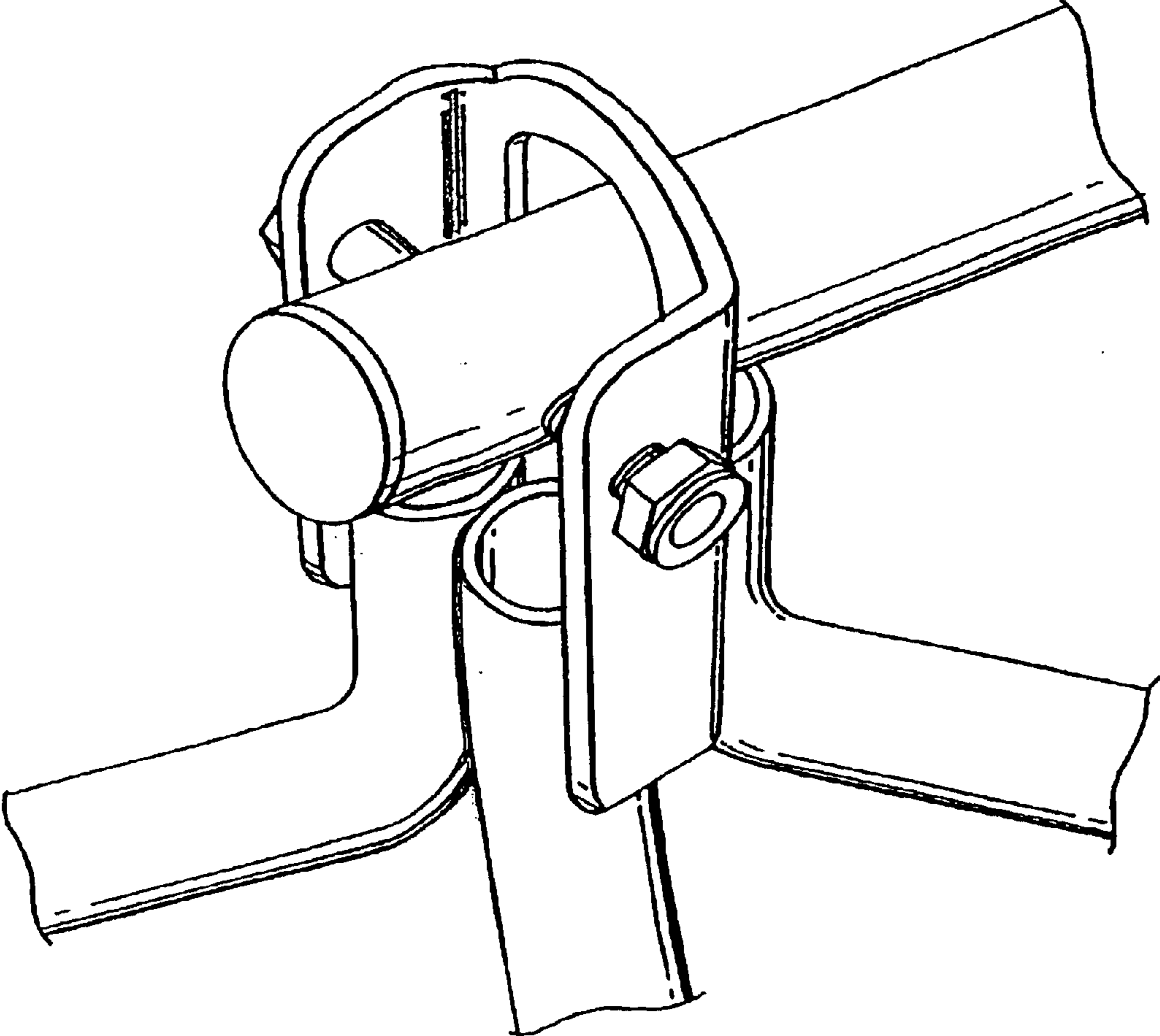


Fig. 2

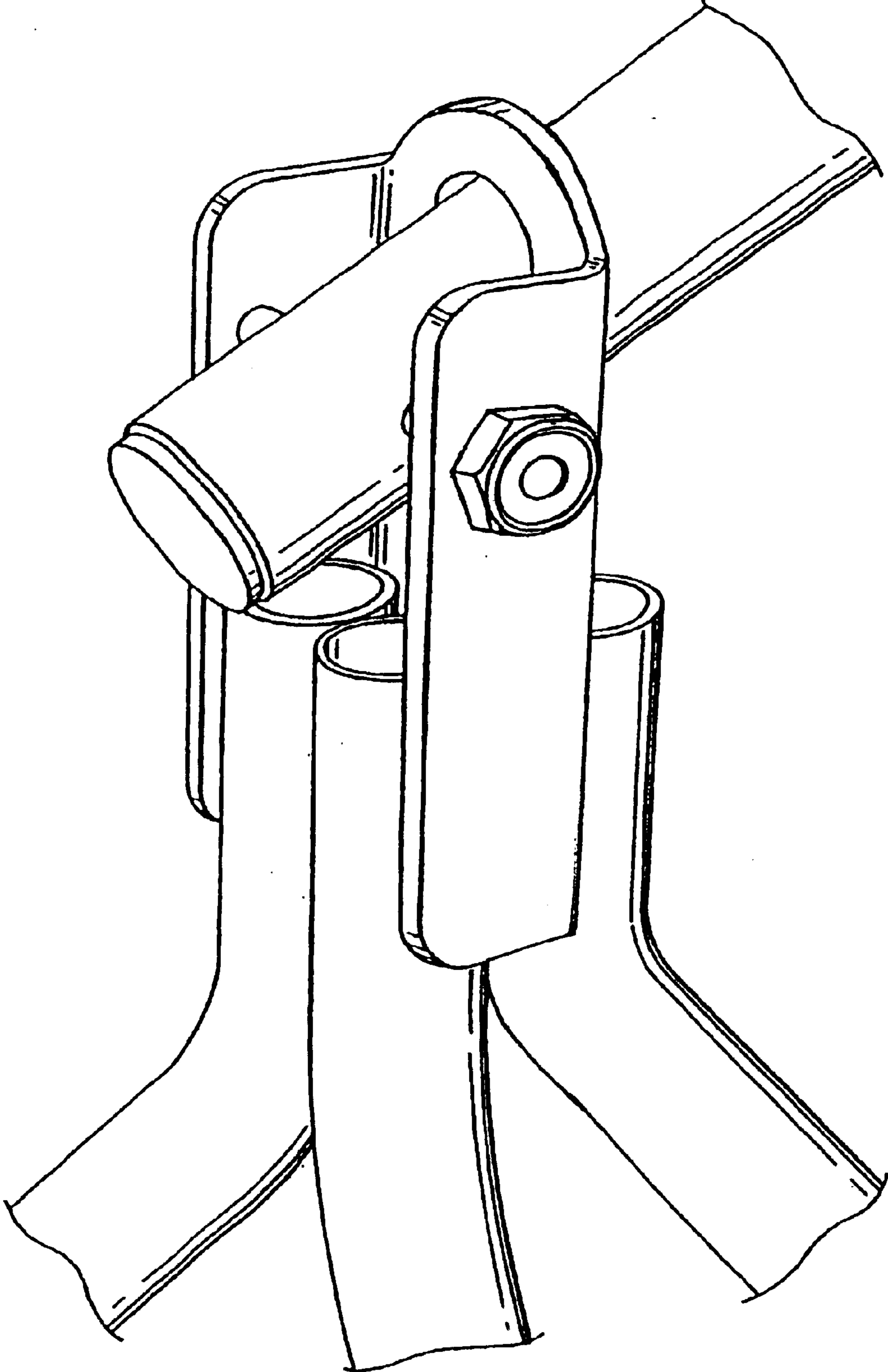


Fig. 3

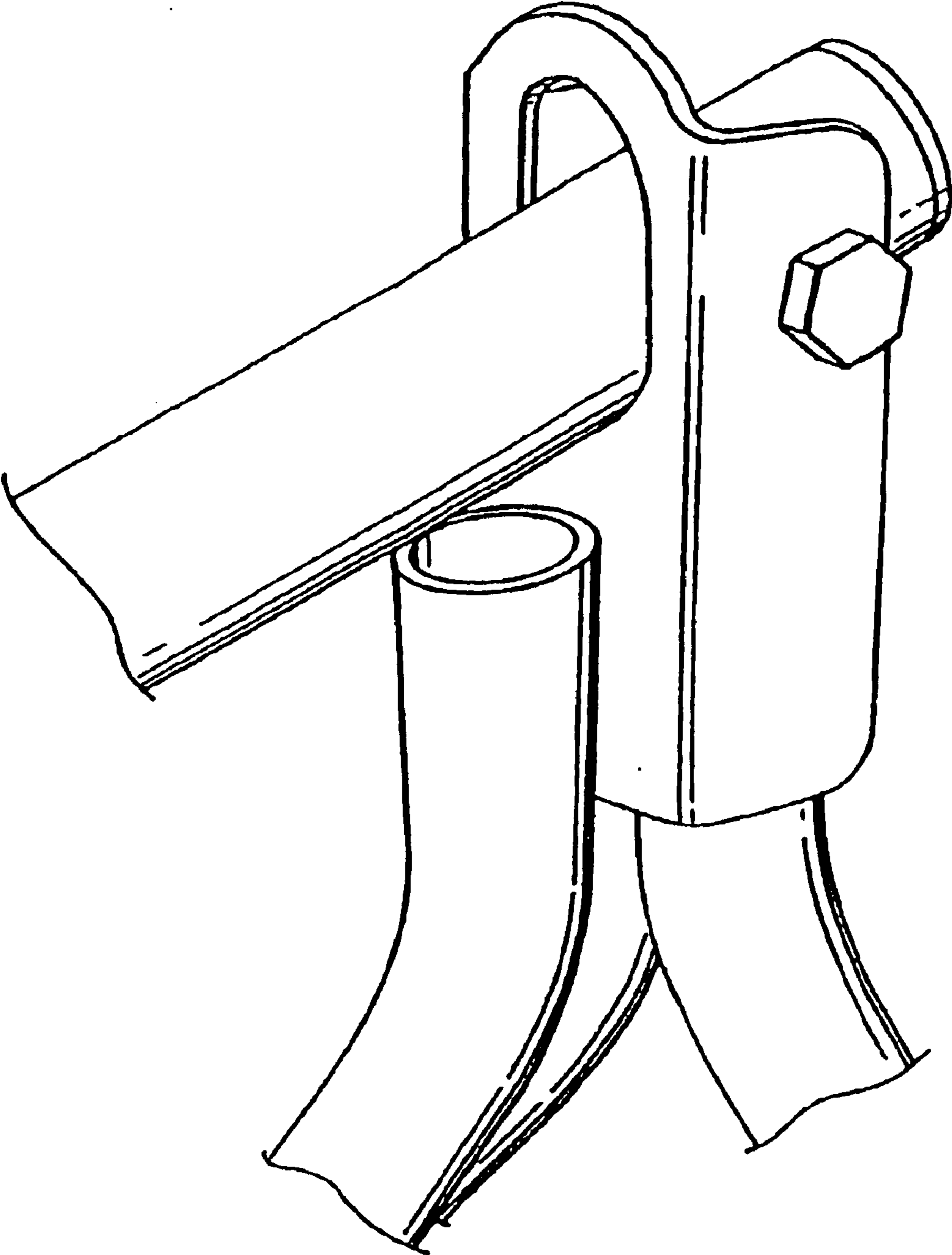


Fig. 4

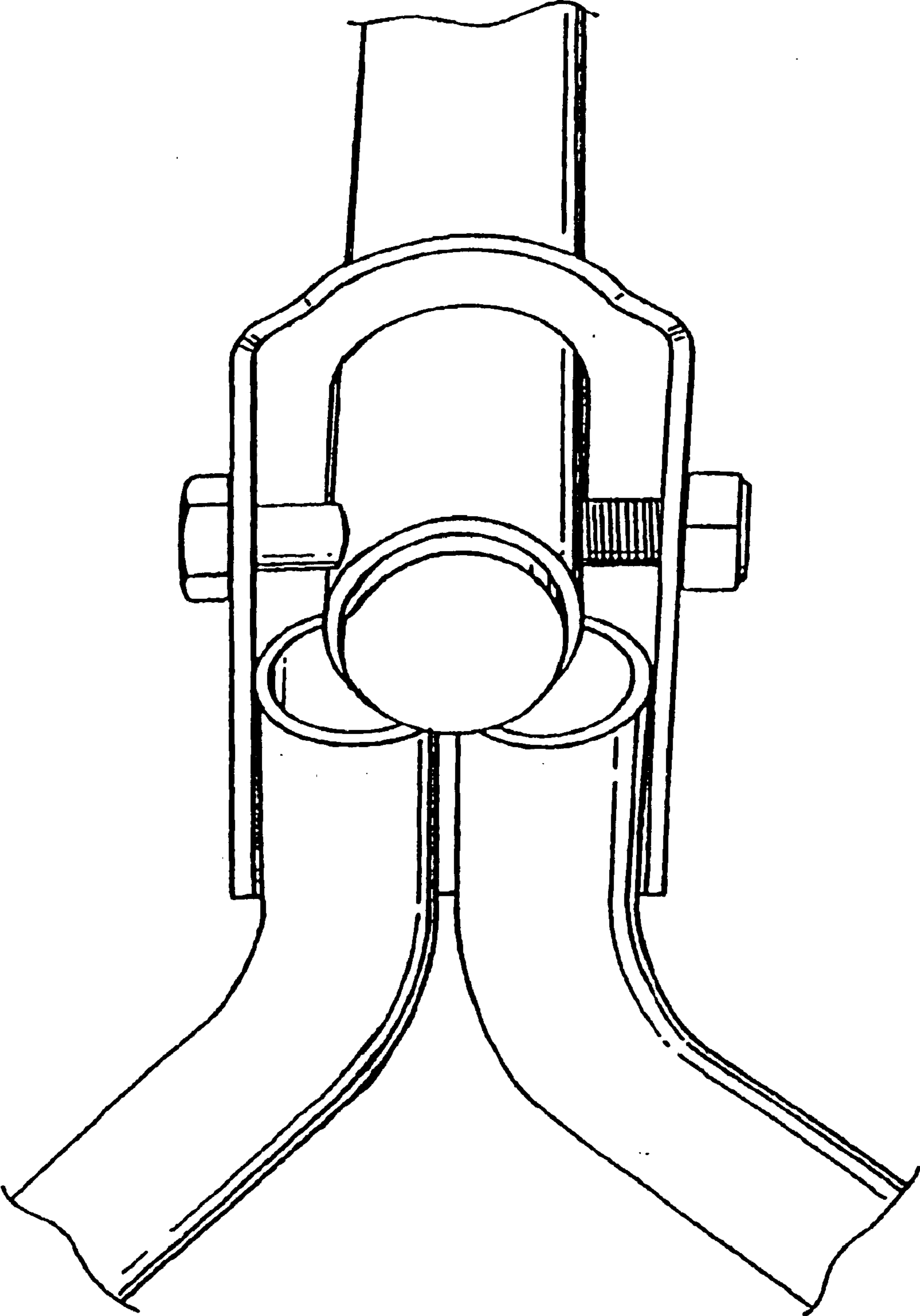


Fig. 5