

US00D500504S

(12) **United States Design Patent**  
**Boissonneault et al.**

(10) **Patent No.: US D500,504 S**  
(45) **Date of Patent: \*\* Jan. 4, 2005**

(54) **RIGID SUPPORT FOR A THIN FILM DATA STORAGE MEDIUM**

(75) Inventors: **Ronald A. Boissonneault**, Imperial, PA (US); **Ramesh M. Pisipati**, Wexford, PA (US)

(73) Assignee: **Bayer MaterialScience LLC**, Pittsburgh, PA (US)

(\*\*) Term: **14 Years**

(21) Appl. No.: **29/203,044**

(22) Filed: **Apr. 8, 2004**

**Related U.S. Application Data**

(63) Continuation-in-part of application No. 10/281,703, filed on Oct. 28, 2002.

(51) **LOC (7) Cl.** ..... **14-02**

(52) **U.S. Cl.** ..... **D14/478**

(58) **Field of Search** ..... D14/432-3, 435, D14/478-80; D6/626-7, 407; 360/60, 129, 132-3, 135, 97.01-99.12; 206/312, 307, 308.1, 308.2, 472; 369/291, 273, 77.2, 272, 81, 79, 289

(56) **References Cited**

**U.S. PATENT DOCUMENTS**

D248,753 S \* 8/1978 Pulse ..... D14/478  
5,072,438 A \* 12/1991 Suzuki et al. .... 369/290  
5,208,802 A \* 5/1993 Suzuki et al. .... 369/289

5,912,875 A \* 6/1999 Lowe et al. .... 369/291  
D418,502 S 1/2000 Friday ..... D14/121  
D419,151 S 1/2000 Koedel ..... D14/121  
D421,427 S 3/2000 Siegel ..... D14/114  
D435,853 S 1/2001 Mehta et al. .... D14/478  
D439,583 S 3/2001 Siegel ..... D14/474  
D442,970 S 5/2001 Lowenstein ..... D14/478  
D445,113 S 7/2001 Siegel ..... D14/474  
D447,146 S 8/2001 Myers ..... D14/478  
D453,521 S \* 2/2002 Haruna et al. .... D14/478  
2003/0035364 A1 \* 2/2003 Choi ..... 369/289  
2003/0174639 A1 \* 9/2003 Wang et al. .... 369/289

\* cited by examiner

*Primary Examiner*—M. H. Tung

(74) *Attorney, Agent, or Firm*—Joseph C. Gil; James R. Franks

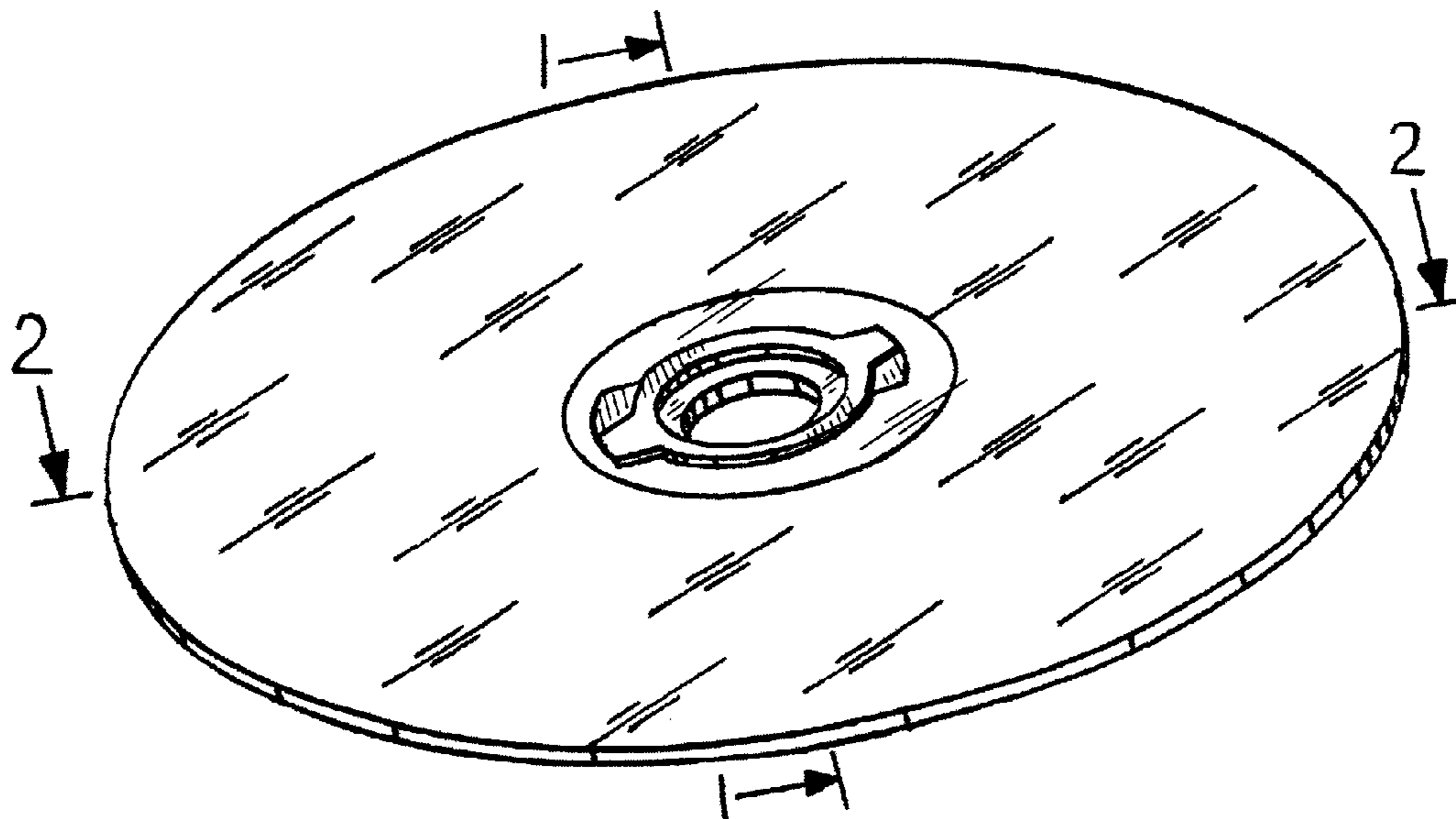
(57) **CLAIM**

The ornamental design for a rigid support for a thin film data storage medium, as shown and described.

**DESCRIPTION**

FIG. 1 is a top perspective view of a rigid support for a thin film data storage medium showing our new design; FIG. 2 is a top plan view thereof; FIG. 3 is a bottom plan view thereof; FIG. 4 is a side elevational view thereof, as seen towards line 2—2 of FIG. 1, the opposite side is a mirror image; and, FIG. 5 is a front elevational view thereof, as seen towards line 1—1, the rear view is a mirror image.

**1 Claim, 2 Drawing Sheets**



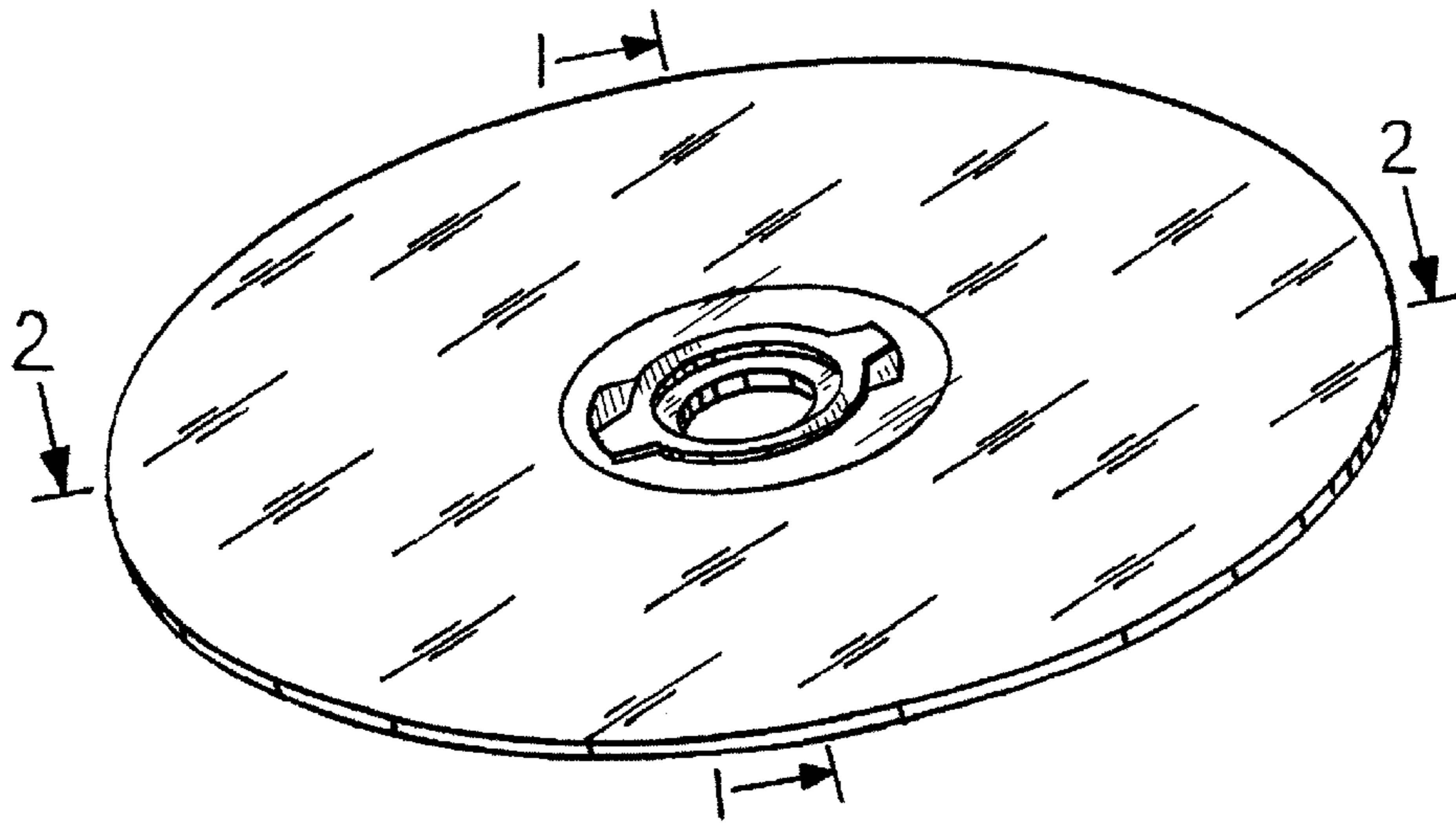


Fig. 1



Fig. 2

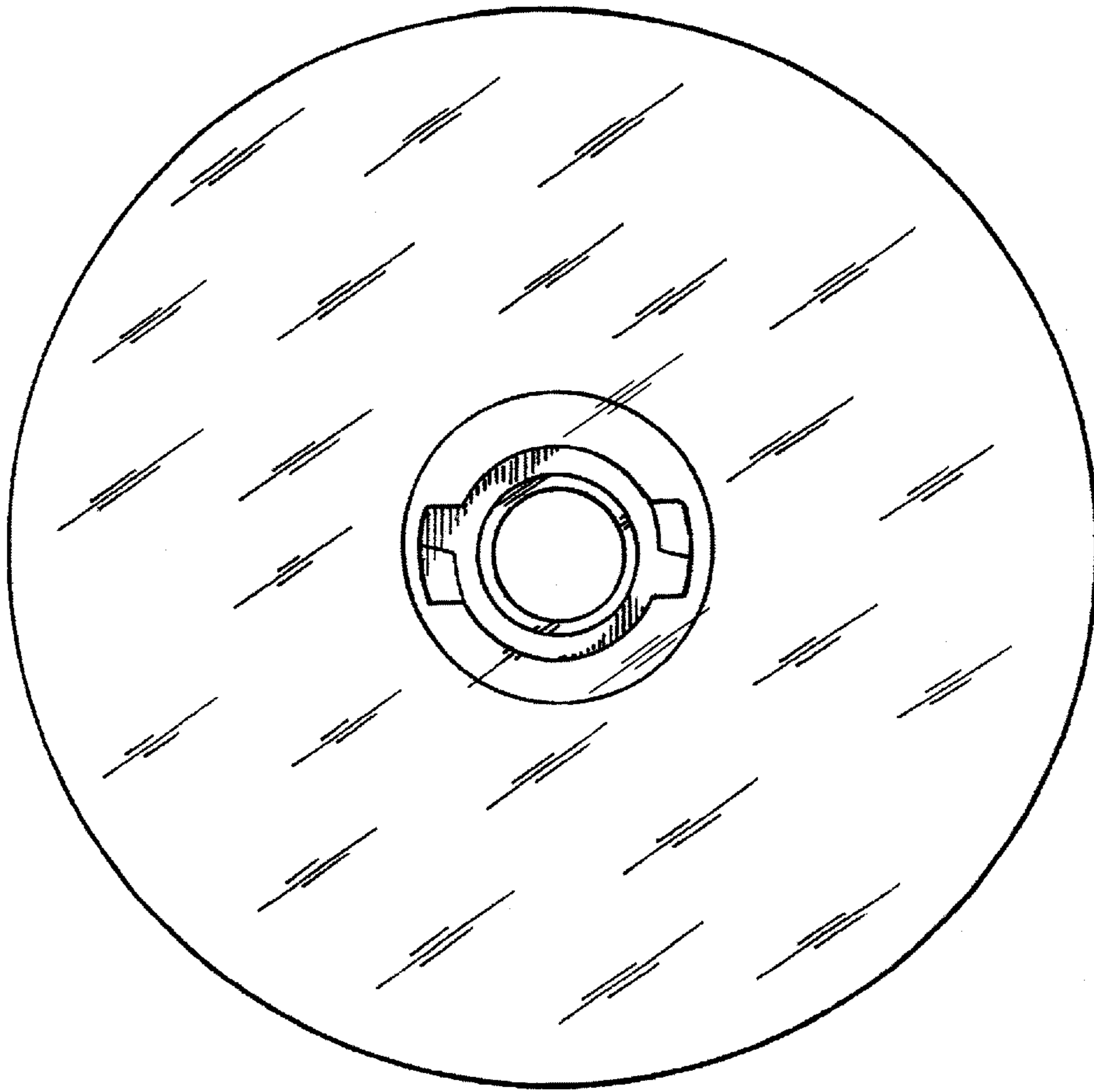


Fig. 3

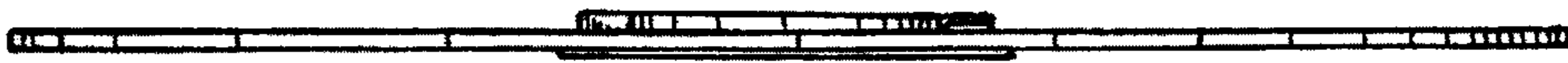


Fig. 4



Fig. 5