

US00D500496S

(12) **United States Design Patent**
Sherwood

(10) **Patent No.:** **US D500,496 S**
(45) **Date of Patent:** **** Jan. 4, 2005**

(54) **TELEVISION ANTENNA**
(75) **Inventor:** **William J. Sherwood**, West Burlington,
IA (US)

(73) **Assignee:** **Winegard Company**, Burlington, IA
(US)

(**) **Term:** **14 Years**

(21) **Appl. No.:** **29/194,809**

(22) **Filed:** **Dec. 2, 2003**

(51) **LOC (7) Cl.** **14-03**

(52) **U.S. Cl.** **D14/230**

(58) **Field of Search** D14/137, 138,
D14/230-238, 299, 358; D12/42, 43; 343/700 R-705,
871-908, 795, 840, 711-713, 819, 846;
455/90.2, 90.3, 91, 347, 128, 269, 344,
562.1

(56) **References Cited**

U.S. PATENT DOCUMENTS

D110,150 S * 6/1938 McIntosh D14/230
D157,090 S * 1/1950 Schmidt D14/234

D164,353 S * 8/1951 Brewster D14/230
D222,145 S * 10/1971 Winegard D14/230
5,262,793 A 11/1993 Sperry
D419,159 S * 1/2000 Davi et al. D14/230

* cited by examiner

Primary Examiner—Louis S. Zarfes

Assistant Examiner—John Windmuller

(74) *Attorney, Agent, or Firm*—Dorr, Carson, Sloan, Birney
& Kramer, P.C.

(57) **CLAIM**

The ornamental design for a television antenna, as shown
and described.

DESCRIPTION

FIG. 1 is a perspective view of a television antenna showing
our new design.

FIG. 2 is a top plan view thereof.

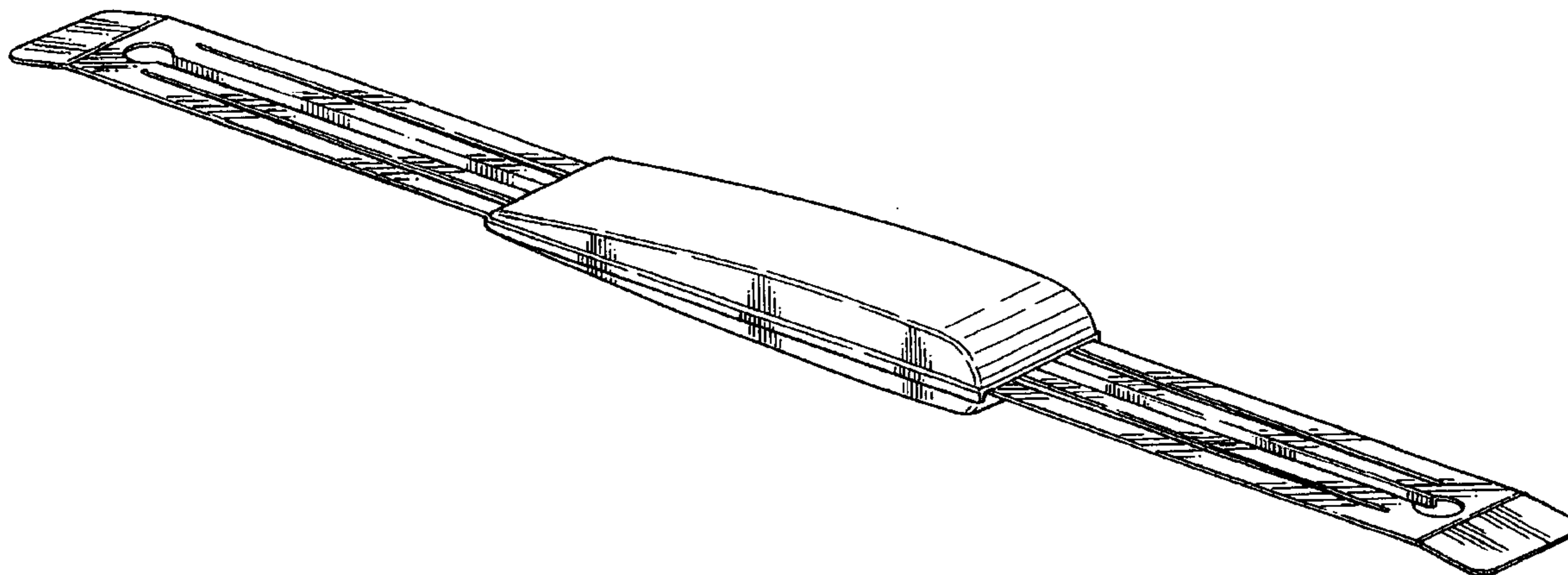
FIG. 3 is a front elevational view thereof, the rear elevational
view being identical thereto.

FIG. 4 is a bottom plan view thereof.

FIG. 5 is a right side elevational view thereof; and,

FIG. 6 is a left side elevational view thereof.

1 Claim, 3 Drawing Sheets



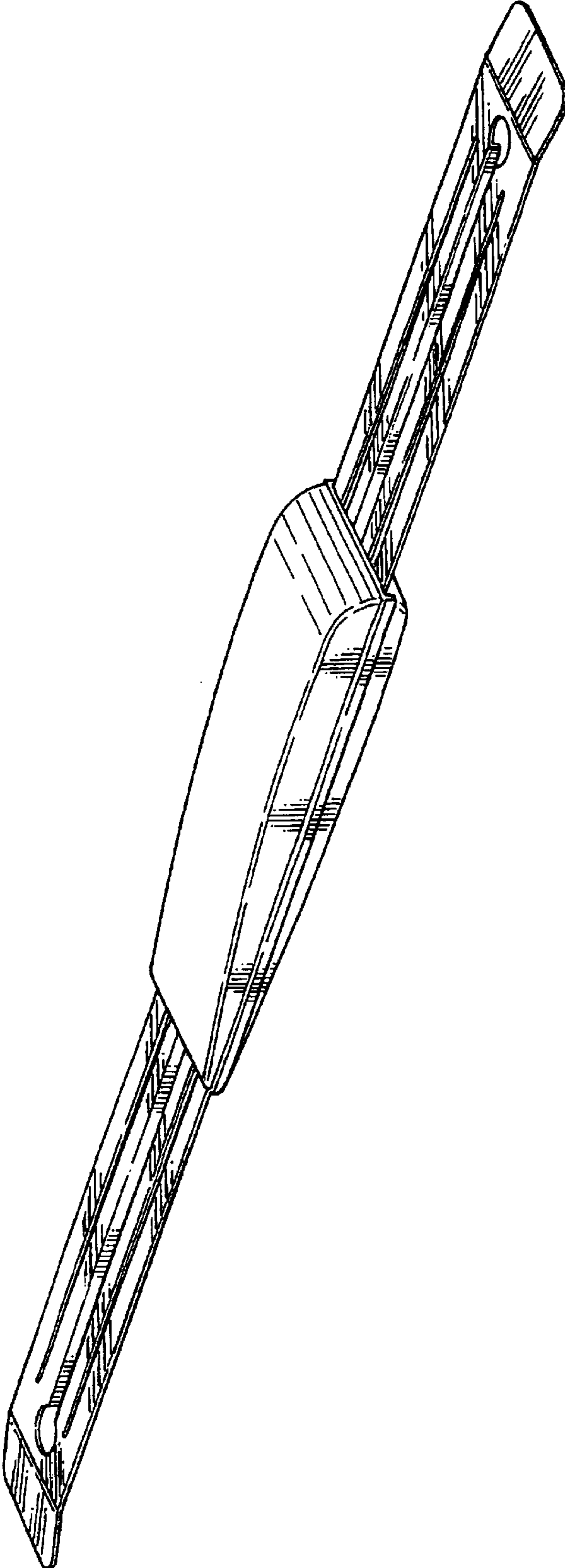


Fig. 1

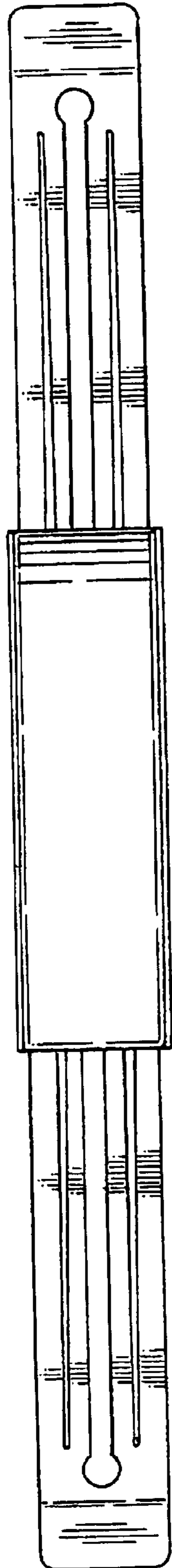


Fig. 2



Fig. 3

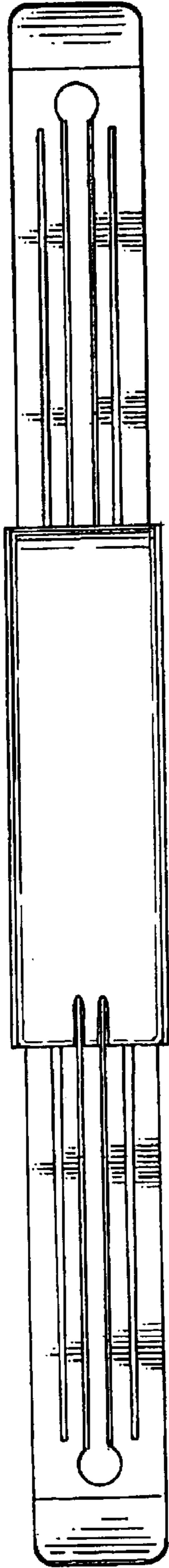


Fig. 4



Fig. 6



Fig. 5