



US00D500487S

(12) **United States Design Patent**
Concari et al.

(10) **Patent No.:** **US D500,487 S**
(45) **Date of Patent:** **** Jan. 4, 2005**

(54) **RADIO**

(75) Inventors: **Gabriel E. Concari**, Eldersburg, MD (US); **Damon J. Nawrozki**, Baltimore, MD (US)

(73) Assignee: **Black & Decker Inc.**, Newark, DE (US)

(**) Term: **14 Years**

(21) Appl. No.: **29/197,849**

(22) Filed: **Jan. 21, 2004**

(Under 37 CFR 1.47)

(51) **LOC (7) Cl.** **14-03**

(52) **U.S. Cl.** **D14/188**

(58) **Field of Search** D14/137, 188, D14/155-159, 193-198, 269, 189; 369/11, 137; 455/344-351, 92, 100

(56) **References Cited**

U.S. PATENT DOCUMENTS

4,676,619 A * 6/1987 Woolley 396/432
4,870,702 A * 9/1989 Azzouni 455/346

D318,668 S * 7/1991 Hervatin D14/168
5,146,618 A * 9/1992 Wenner 455/345
D350,753 S * 9/1994 Oka D14/168
D350,960 S * 9/1994 Sakata et al. D14/168
5,471,659 A * 11/1995 Wong 455/132
D423,006 S * 4/2000 Matsuoka D14/168
D451,084 S * 11/2001 Su D14/188

* cited by examiner

Primary Examiner—Prabhakar Deshmukh
(74) *Attorney, Agent, or Firm*—Adan Ayala

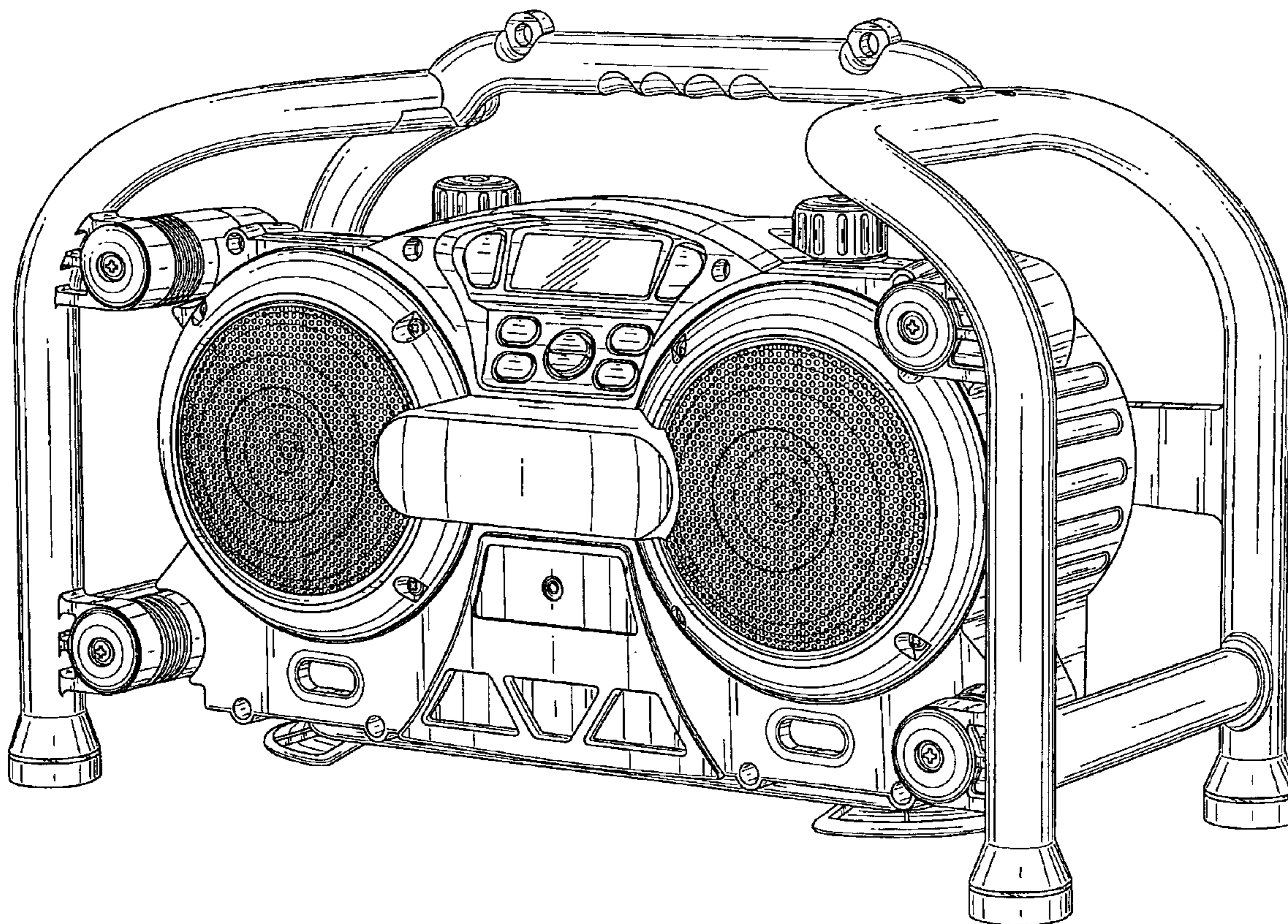
(57) **CLAIM**

The ornamental design for a radio, as shown and described.

DESCRIPTION

FIG. 1 is a front perspective view of a radio showing our new design;
FIG. 2 is a front elevational view of the embodiment;
FIG. 3 is a rear elevational view of the embodiment;
FIG. 4 is a left side elevational view of the embodiment;
FIG. 5 is a right side elevational view of the embodiment;
FIG. 6 is a top plan view of the embodiment; and,
FIG. 7 is a bottom plan view of the embodiment.

1 Claim, 7 Drawing Sheets



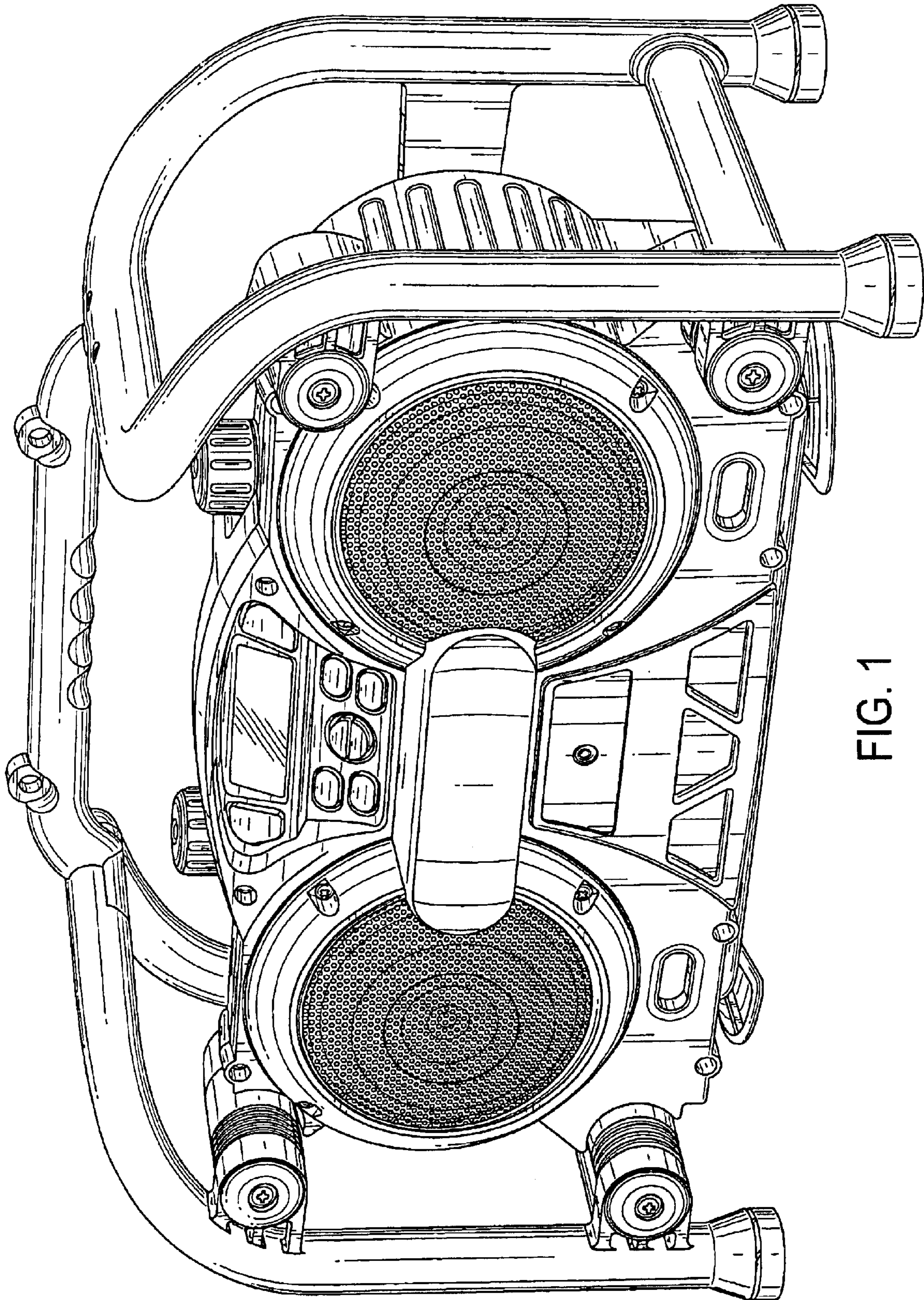


FIG. 1

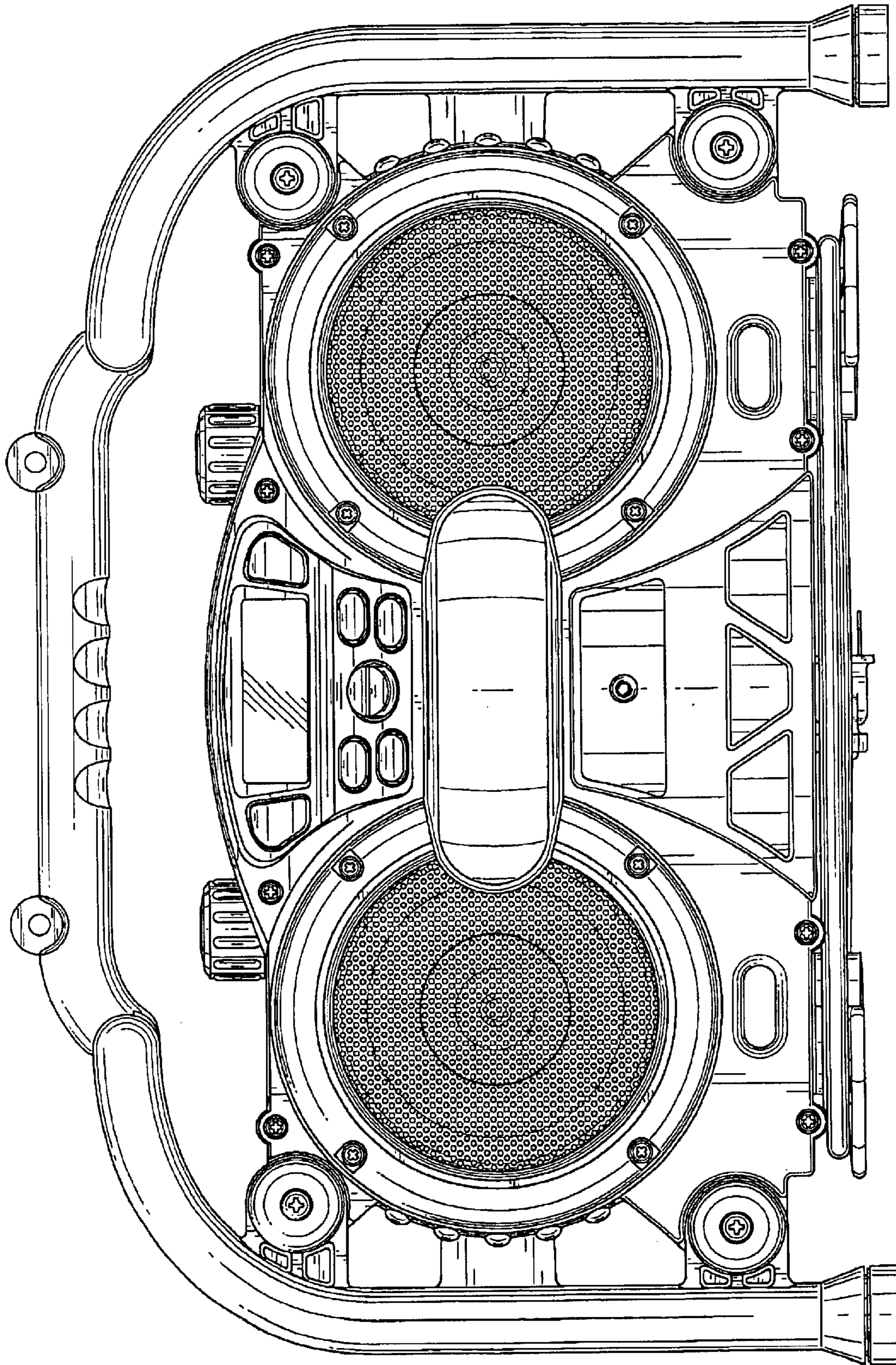


FIG. 2

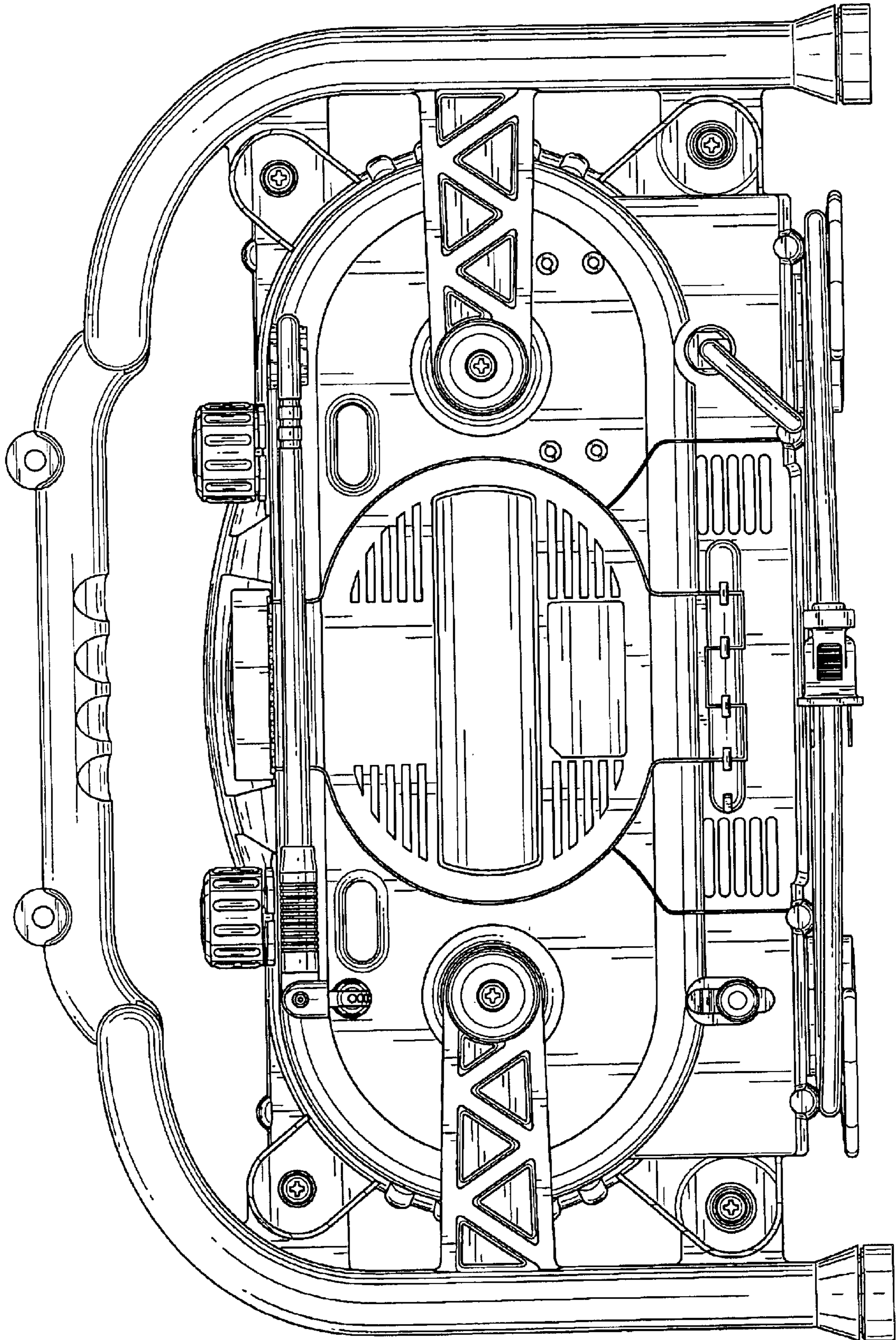


FIG. 3

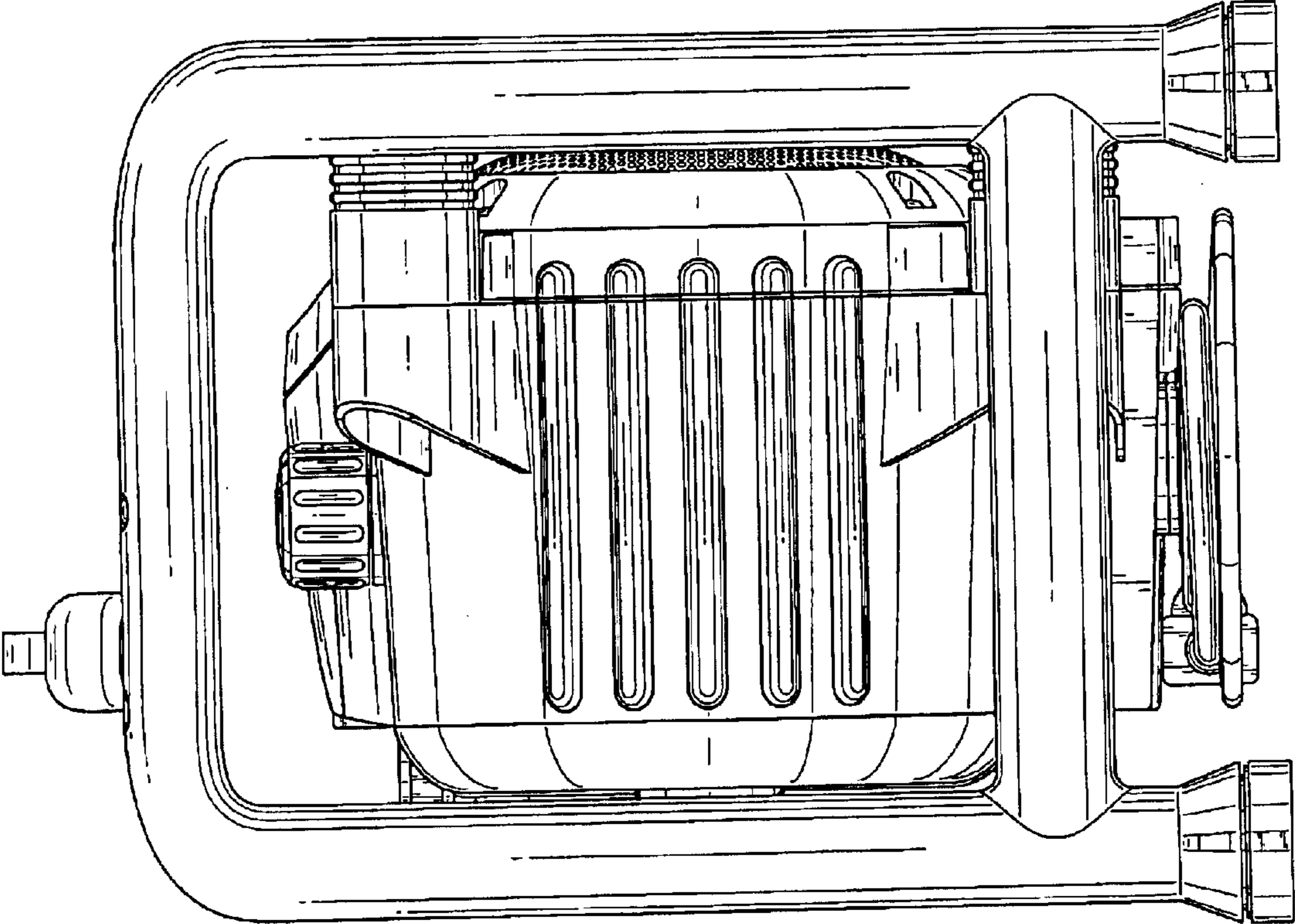


FIG. 4

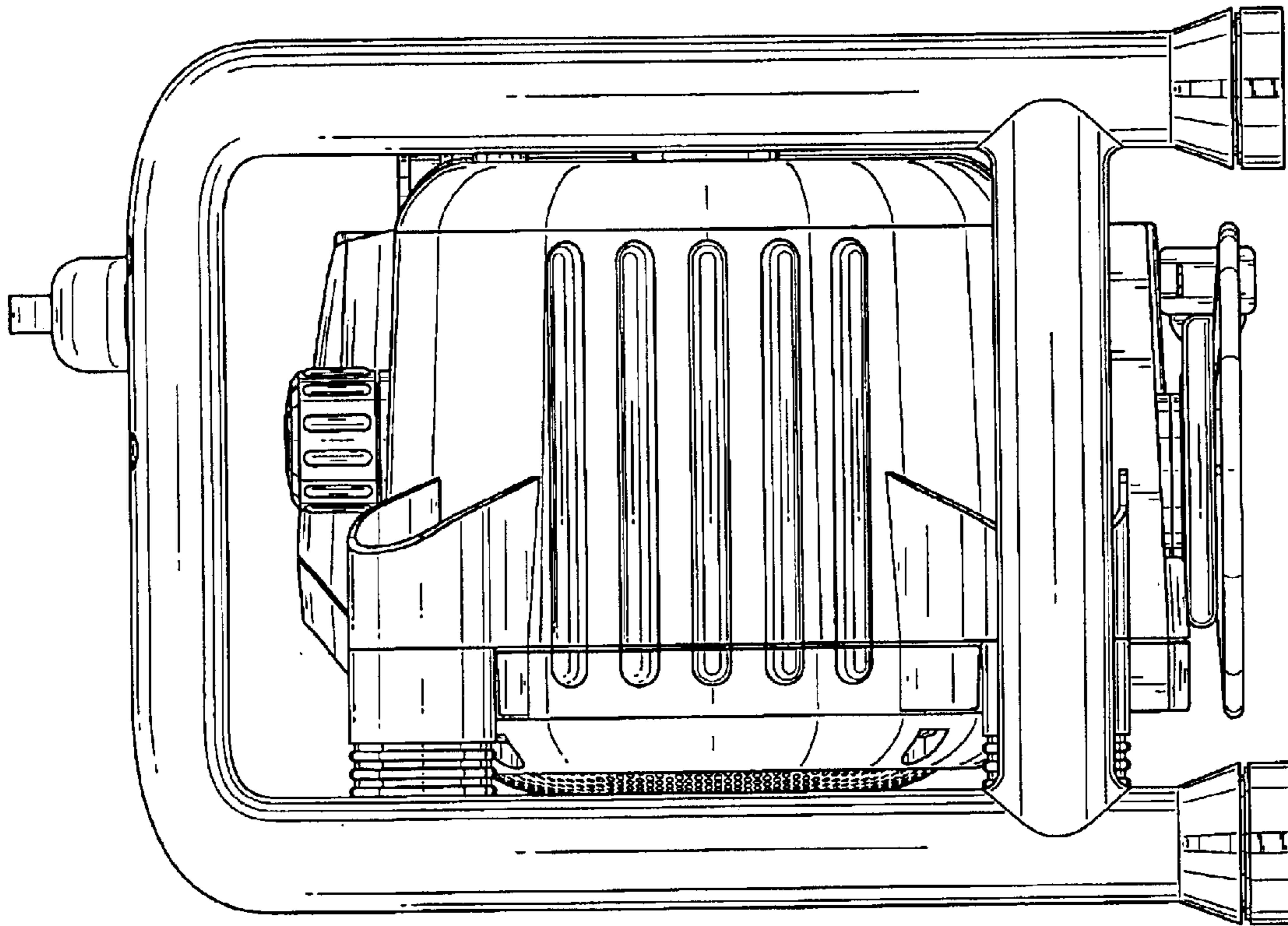


FIG. 5

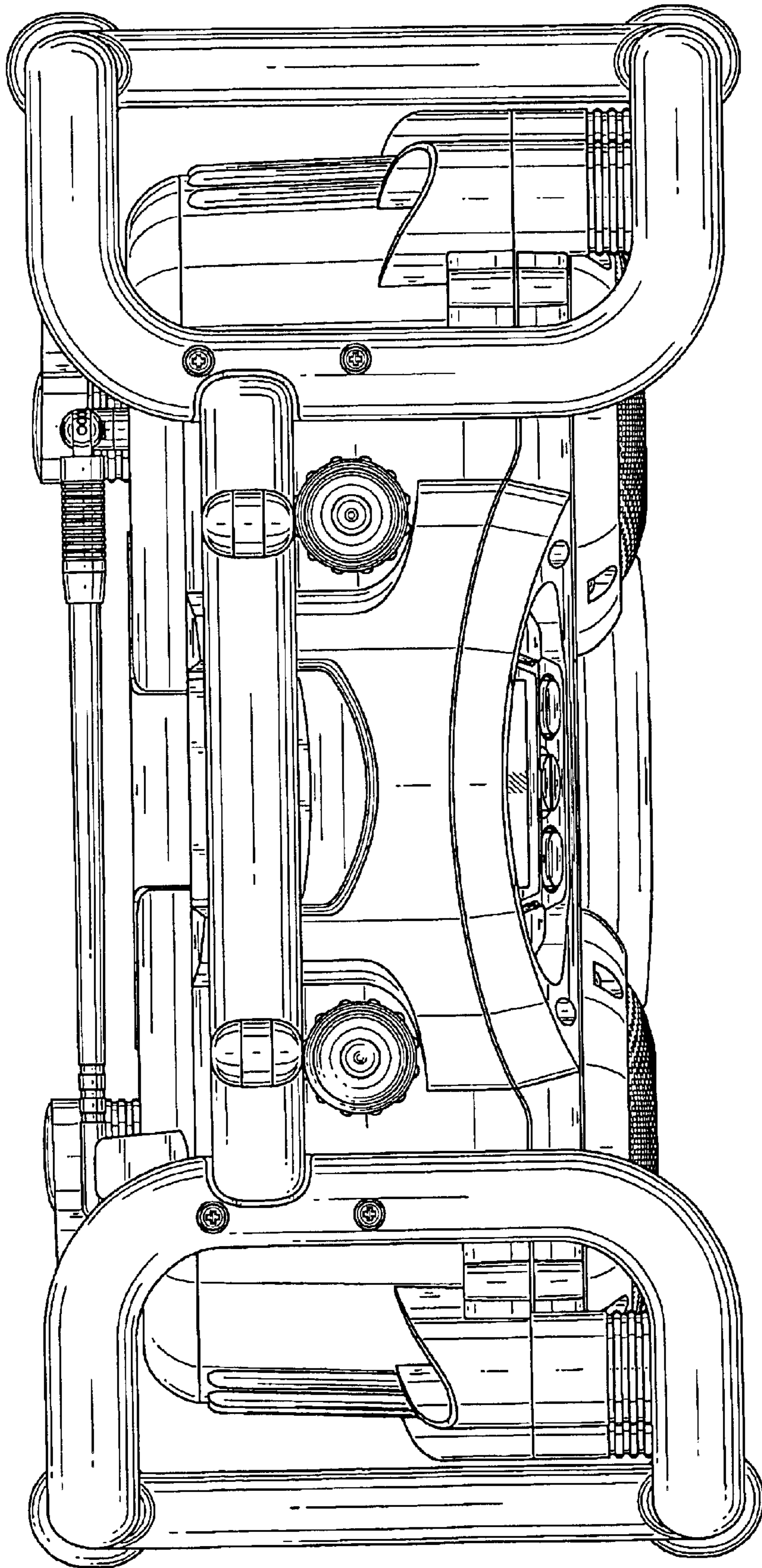


FIG. 6

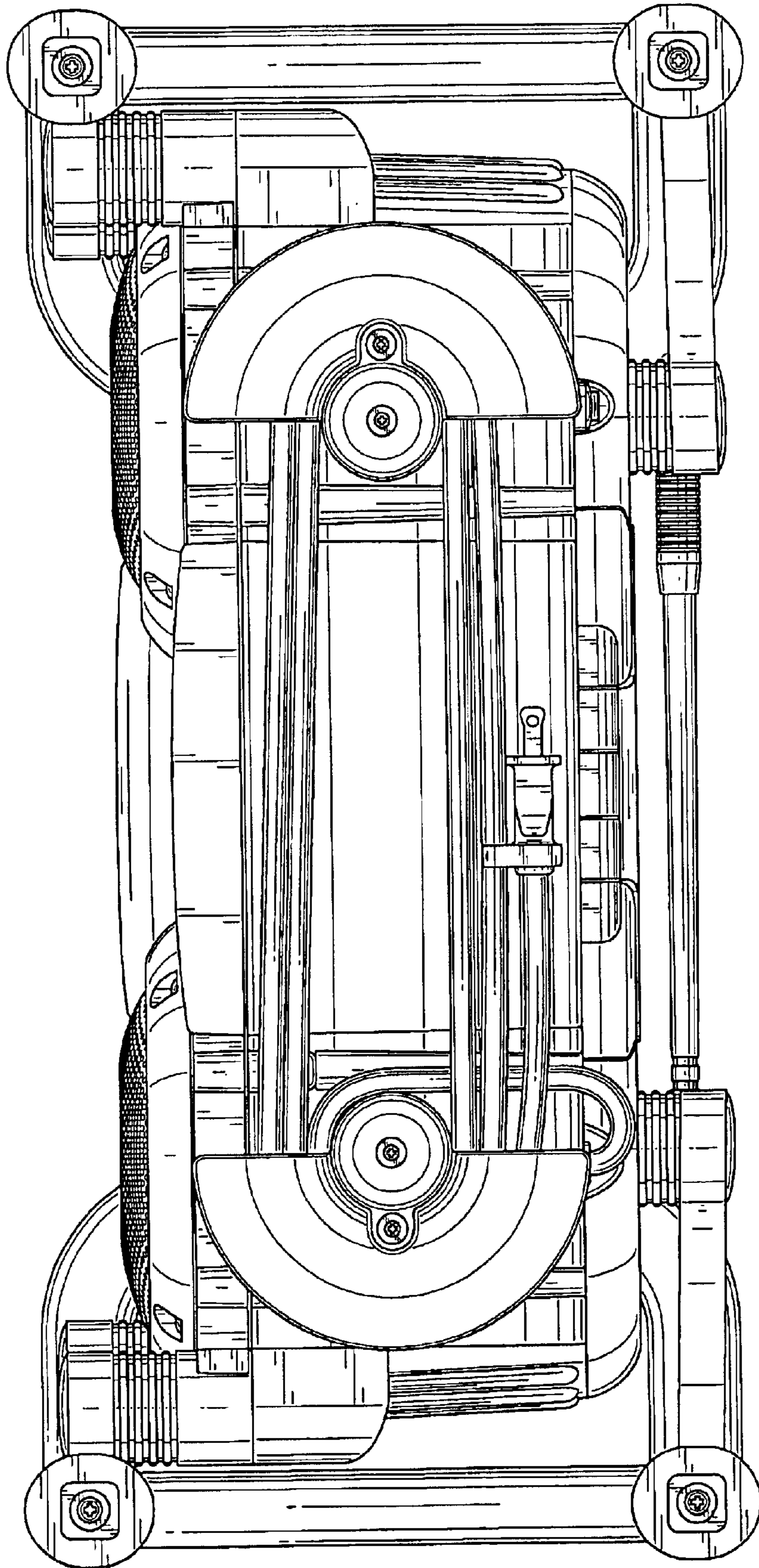


FIG. 7