

US00D500477S

(12) **United States Design Patent**
Sothiwanwongse

(10) **Patent No.:** **US D500,477 S**
(45) **Date of Patent:** **** Jan. 4, 2005**

(54) **LOAD CENTER**

3,618,804 A * 11/1971 Krause 220/3.8
D276,152 S * 10/1984 Ault et al. D13/164
D400,183 S * 10/1998 Flegel D13/164

(75) Inventor: **Chaval Sothiwanwongse, Bangkok (TH)**

* cited by examiner

(73) Assignee: **C.S. International Electronics Co., Ltd., Samutprakarn (TH)**

Primary Examiner—Stella Reid
Assistant Examiner—Selina Sikder

(**) Term: **14 Years**

(74) *Attorney, Agent, or Firm*—Birch, Stewart, Kolasch & Birch, LLP

(21) Appl. No.: **29/165,879**

(57) **CLAIM**

(22) Filed: **Aug. 20, 2002**

The ornamental design for a load center, as shown and described.

(51) **LOC (7) Cl.** **13-03**

(52) **U.S. Cl.** **D13/164**

(58) **Field of Search** D13/162, 163,
D13/164; 174/48, 17 R, 58, 66; 200/5 R,
5 E, 296, 297; 220/3.3, 3.8, 242; 367/31,
32, 35, 38; 361/655, 673

DESCRIPTION

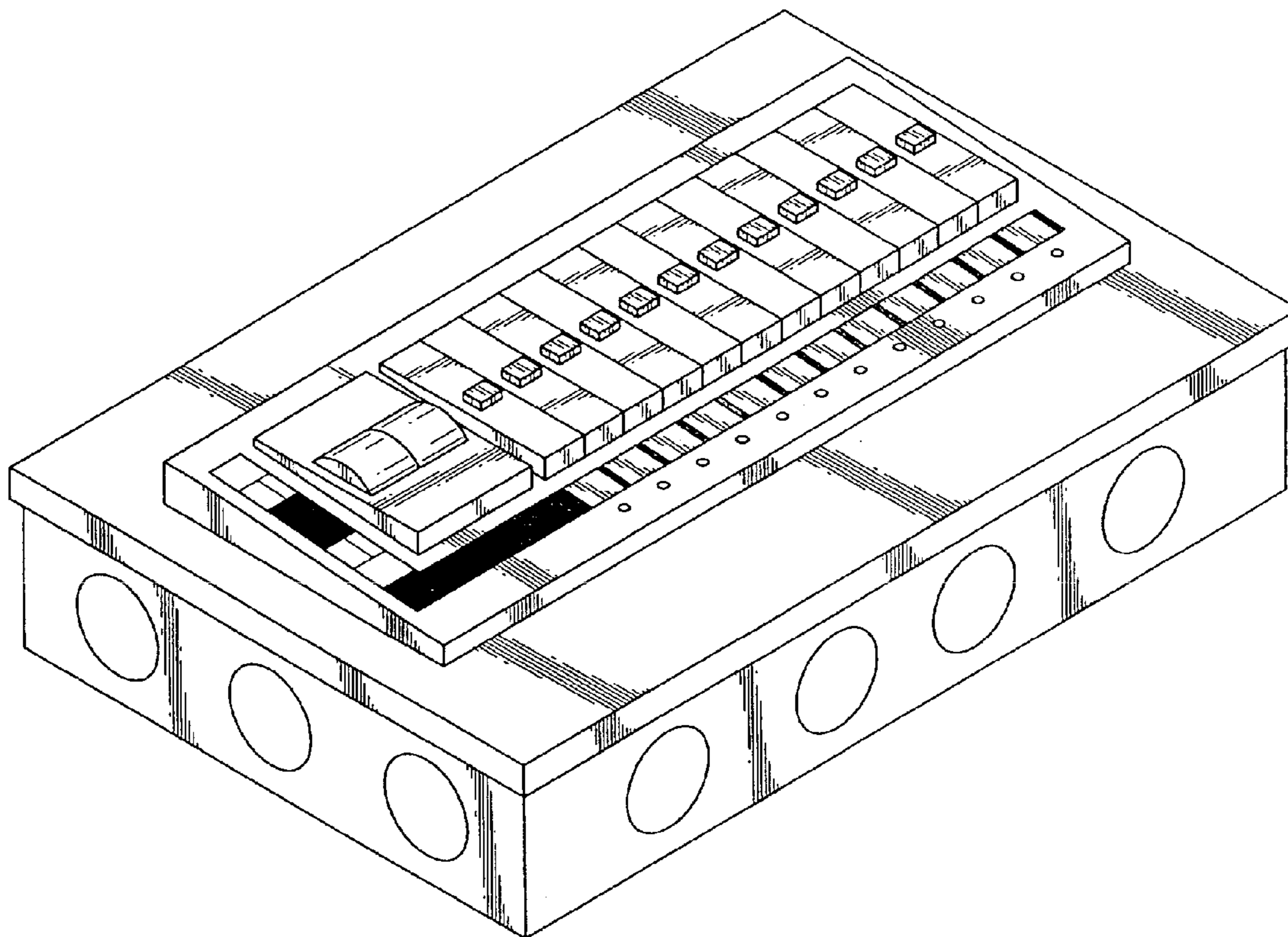
FIG. 1 is a front perspective view of the load center showing my new design;
FIG. 2 is a front elevational view thereof;
FIG. 3 is a back elevational view thereof;
FIG. 4 is a bottom plan view thereof;
FIG. 5 is a top plan view thereof;
FIG. 6 is a left side elevational view thereof; and,
FIG. 7 is a right side elevational view thereof.

(56) **References Cited**

U.S. PATENT DOCUMENTS

D122,844 S * 10/1940 Platz D13/164
D162,341 S * 3/1951 Platz et al. D13/164
D162,342 S * 3/1951 Platz et al. D13/164

1 Claim, 3 Drawing Sheets



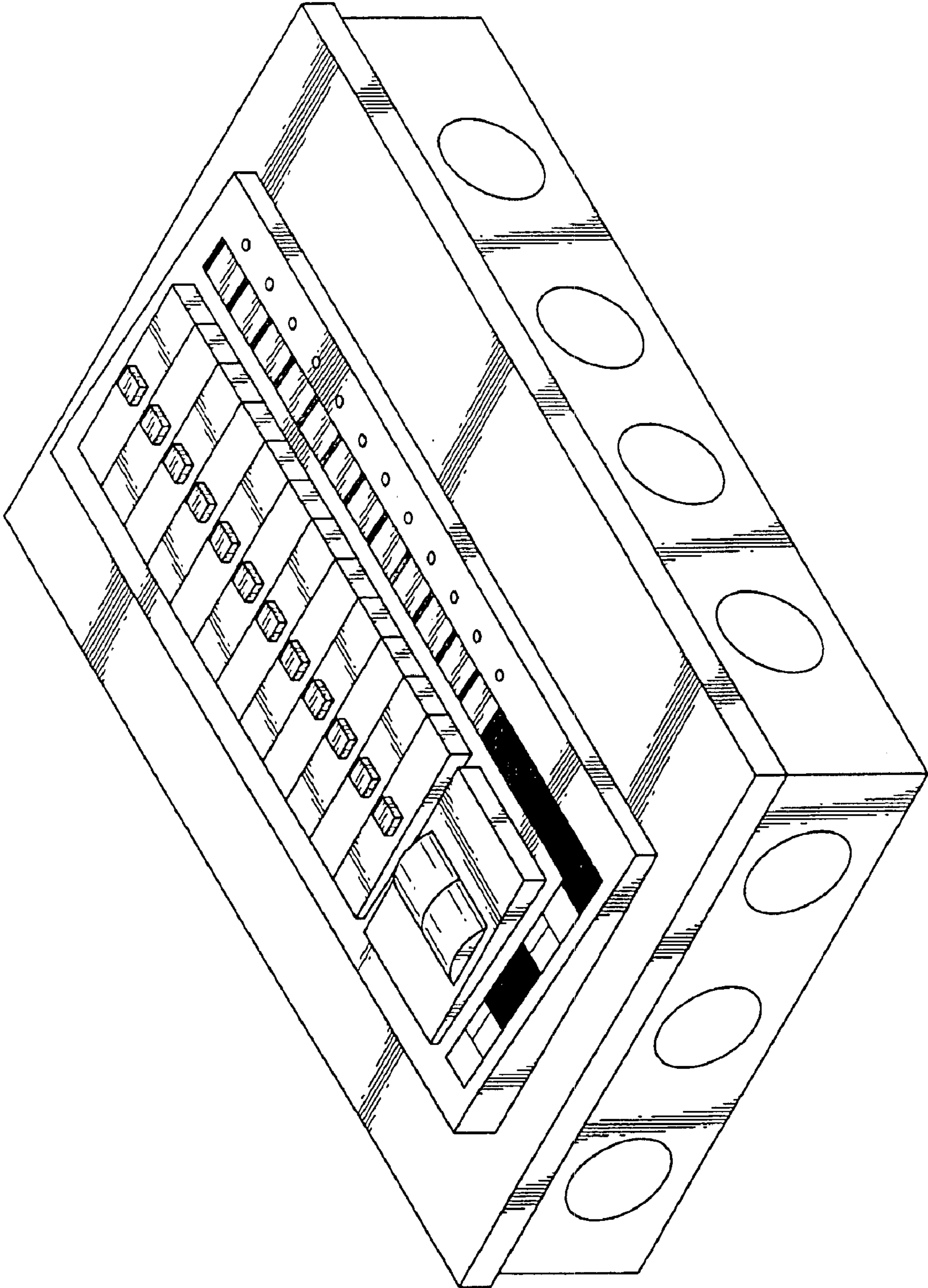


FIG.1

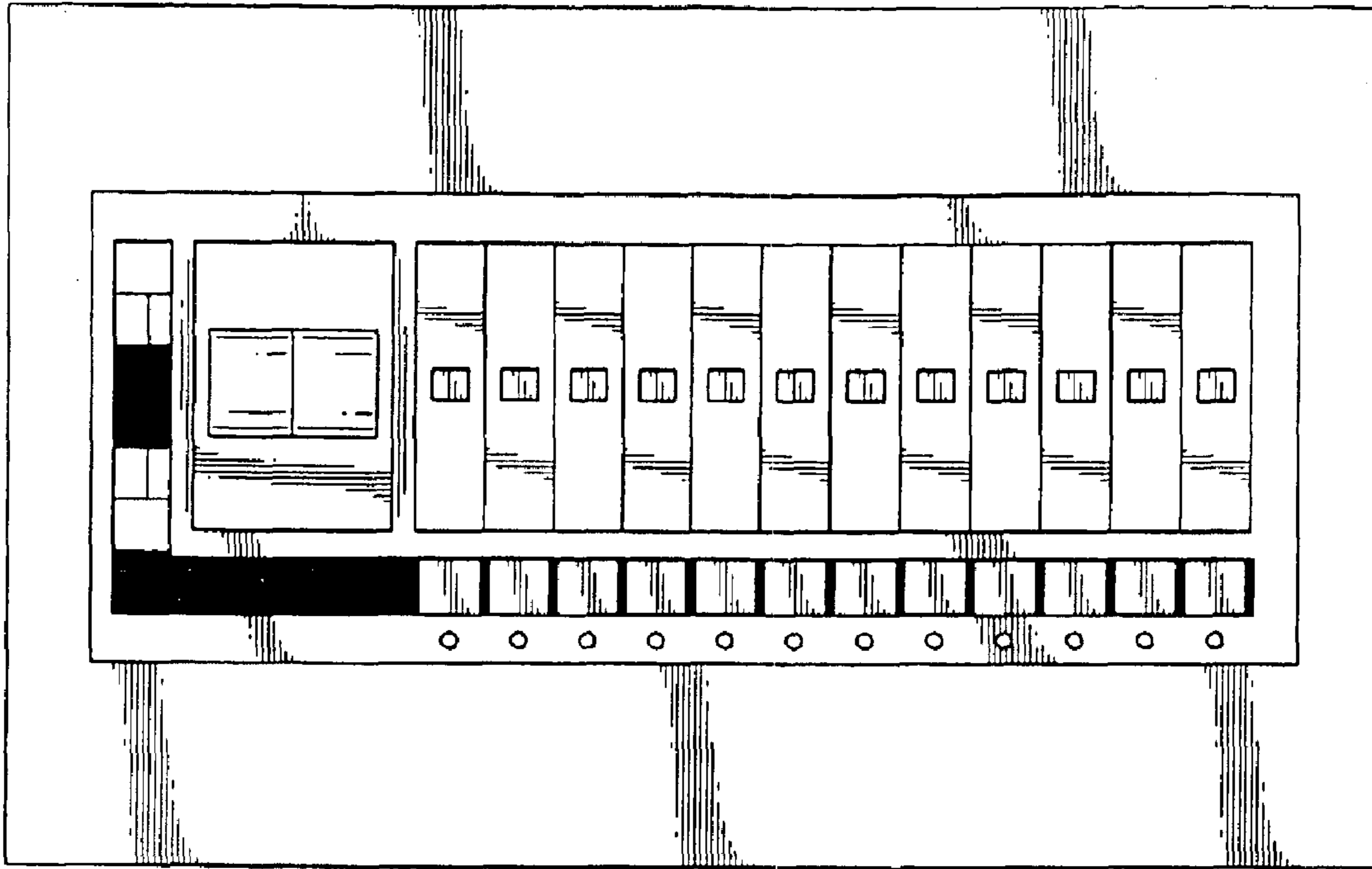


FIG. 2

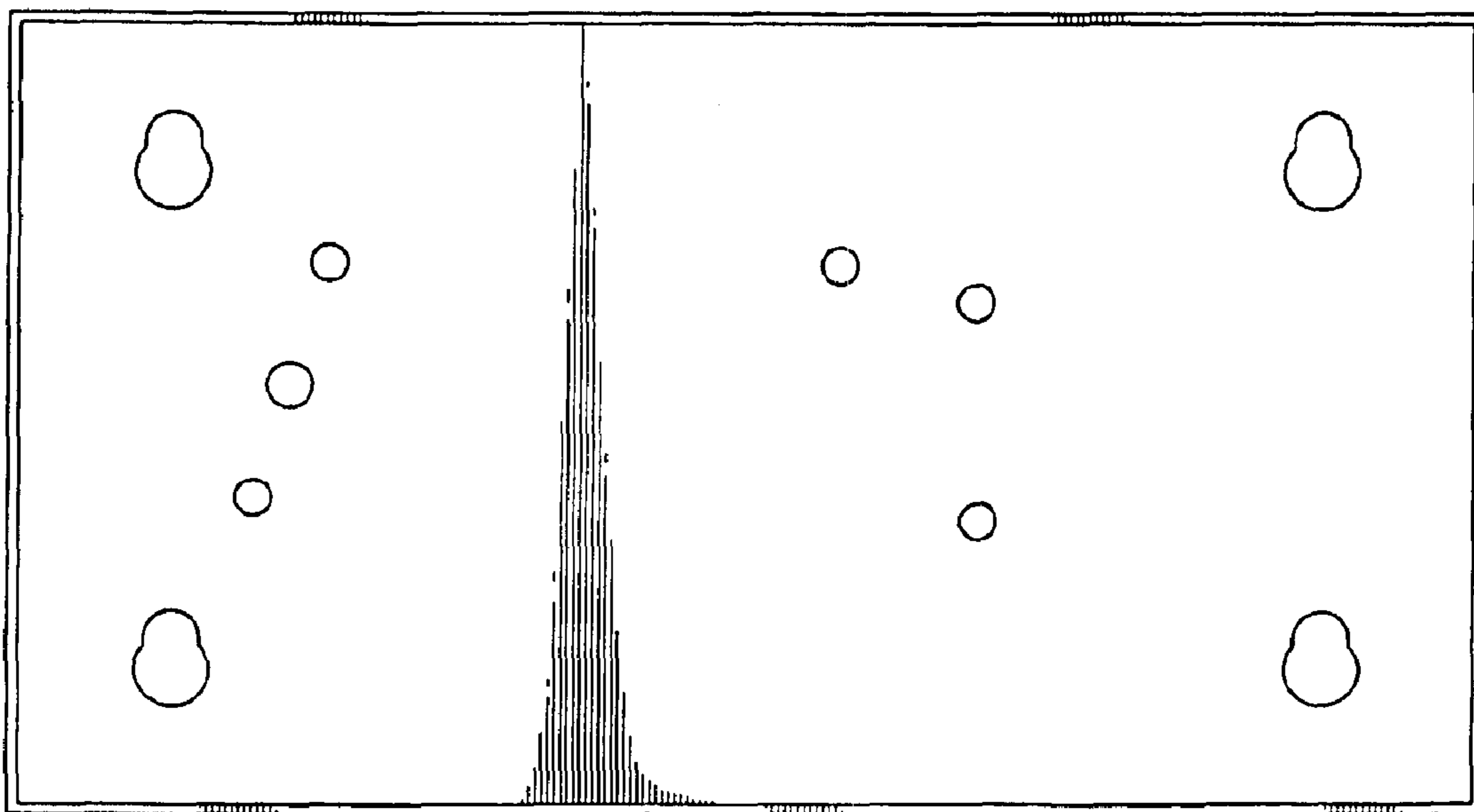


FIG. 3

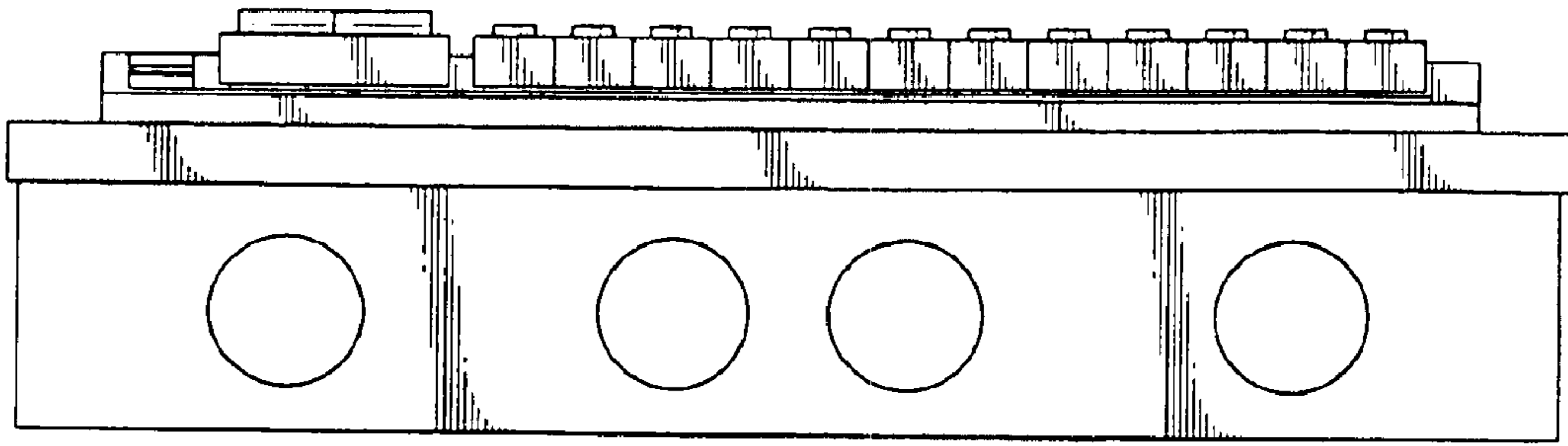


FIG. 4

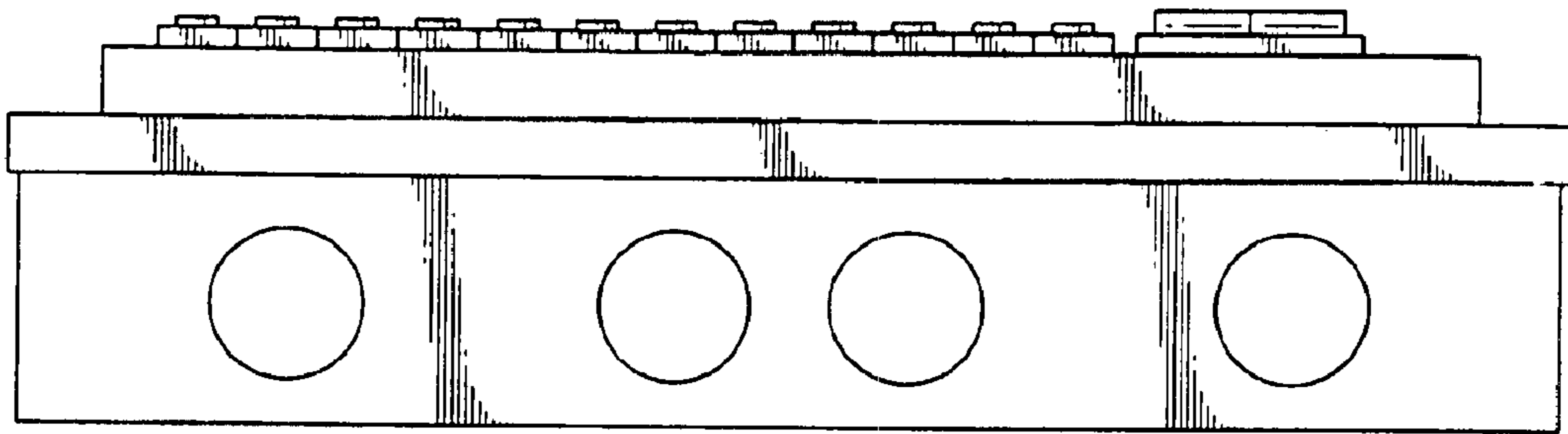


FIG. 5

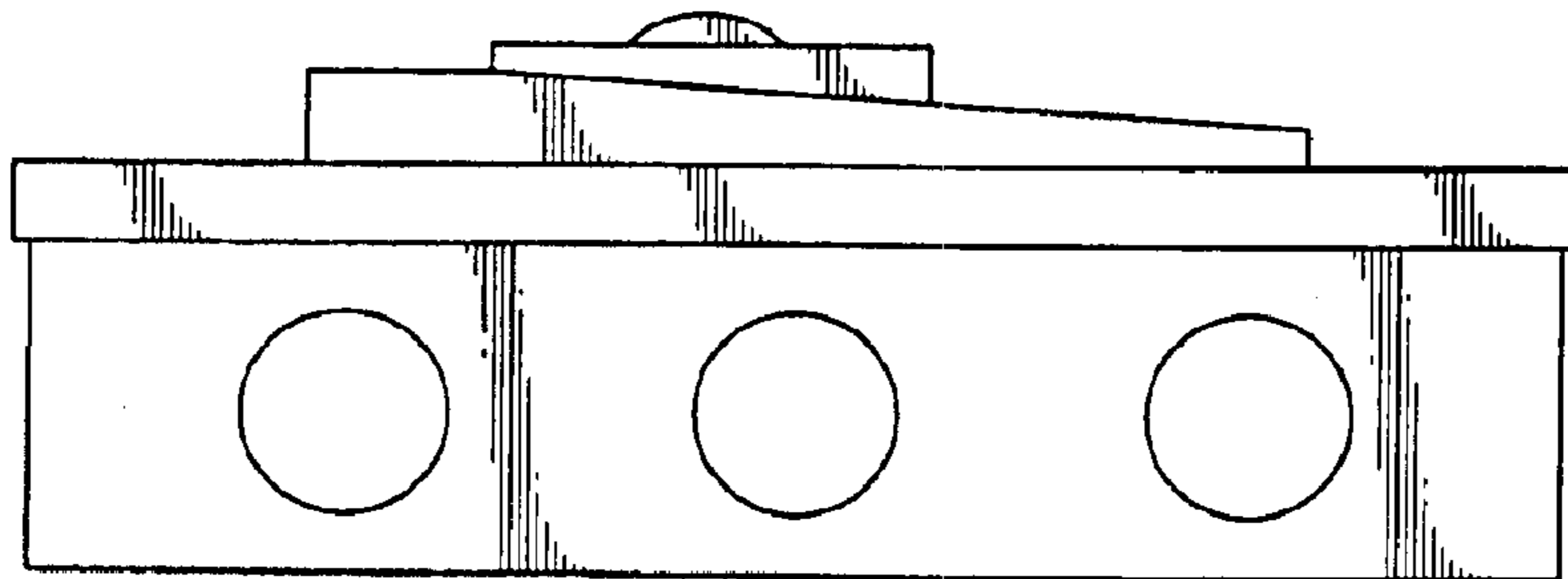


FIG. 6

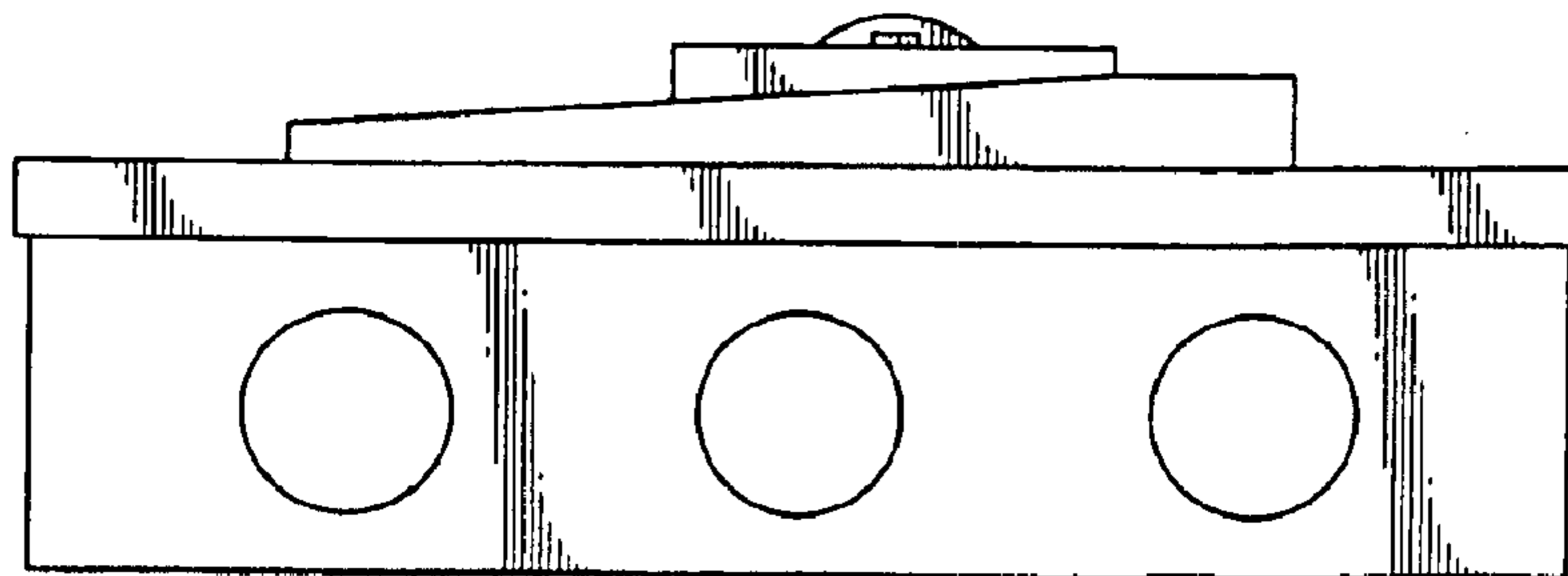


FIG. 7