

US00D500475S

(12) **United States Design Patent**
Noro et al.

(10) **Patent No.:** **US D500,475 S**
(45) **Date of Patent:** **** Jan. 4, 2005**

(54) **CONNECTOR MOLD COVER**
(75) Inventors: **Junichi Noro**, Minamiakita-gun (JP);
Kumeo Sasaki, Minamiakita-gun (JP)
(73) Assignee: **Mitsumi Electric Co., Ltd.**, Tokyo (JP)
(**) Term: **14 Years**

(21) Appl. No.: **29/182,760**
(22) Filed: **Jun. 2, 2003**

(30) **Foreign Application Priority Data**
Dec. 6, 2002 (JP) 2002-033840

(51) **LOC (7) Cl.** **13-03**
(52) **U.S. Cl.** **D13/133**
(58) **Field of Search** D13/133, 147,
D13/154, 156; D14/256; 439/578, 583-584,
668-669, 675, 751, 843, 851

(56) **References Cited**
U.S. PATENT DOCUMENTS

D210,021 S * 1/1968 Prifogie et al. D13/154
4,703,989 A * 11/1987 Price et al. 439/283
D300,425 S * 3/1989 Sumita D13/133
D313,790 S * 1/1991 Hirabayashi D13/133
5,117,479 A * 5/1992 Erdman et al. 385/136

5,170,016 A * 12/1992 Liu et al. 174/138 R
D334,173 S * 3/1993 Liu et al. D13/133
D348,047 S * 6/1994 Bluband D13/133
D366,862 S * 2/1996 Lee D13/133
D405,757 S * 2/1999 Chiu D13/133
D434,003 S * 11/2000 Brisson D13/146

* cited by examiner

Primary Examiner—Stella Reid
Assistant Examiner—Daniel Bui
(74) *Attorney, Agent, or Firm*—Sughrue Mion, PLLC

(57) **CLAIM**

The ornamental design for a connector mold cover, as shown.

DESCRIPTION

FIG. 1 is a perspective view of the top, front and left side of a connector mold cover showing our new design;
FIG. 2 is a perspective view of the bottom, rear and right side thereof;
FIG. 3 is a left side elevational view thereof, the right side being a mirror image thereof;
FIG. 4 is a top plan view thereof, the bottom plan view being a mirror image thereof;
FIG. 5 is a rear elevational view thereof; and,
FIG. 6 is a front elevational view thereof.

1 Claim, 3 Drawing Sheets

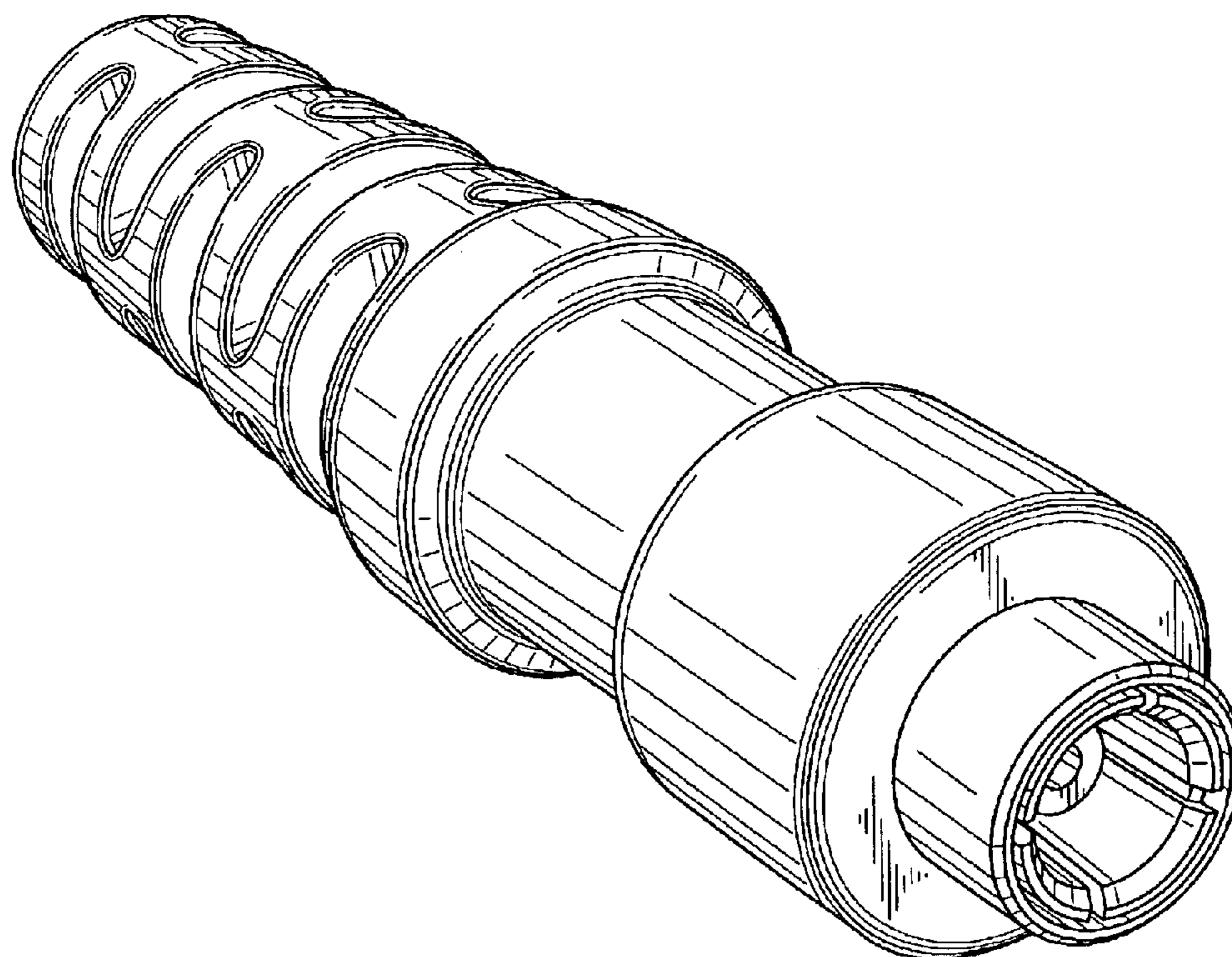


FIG. 1

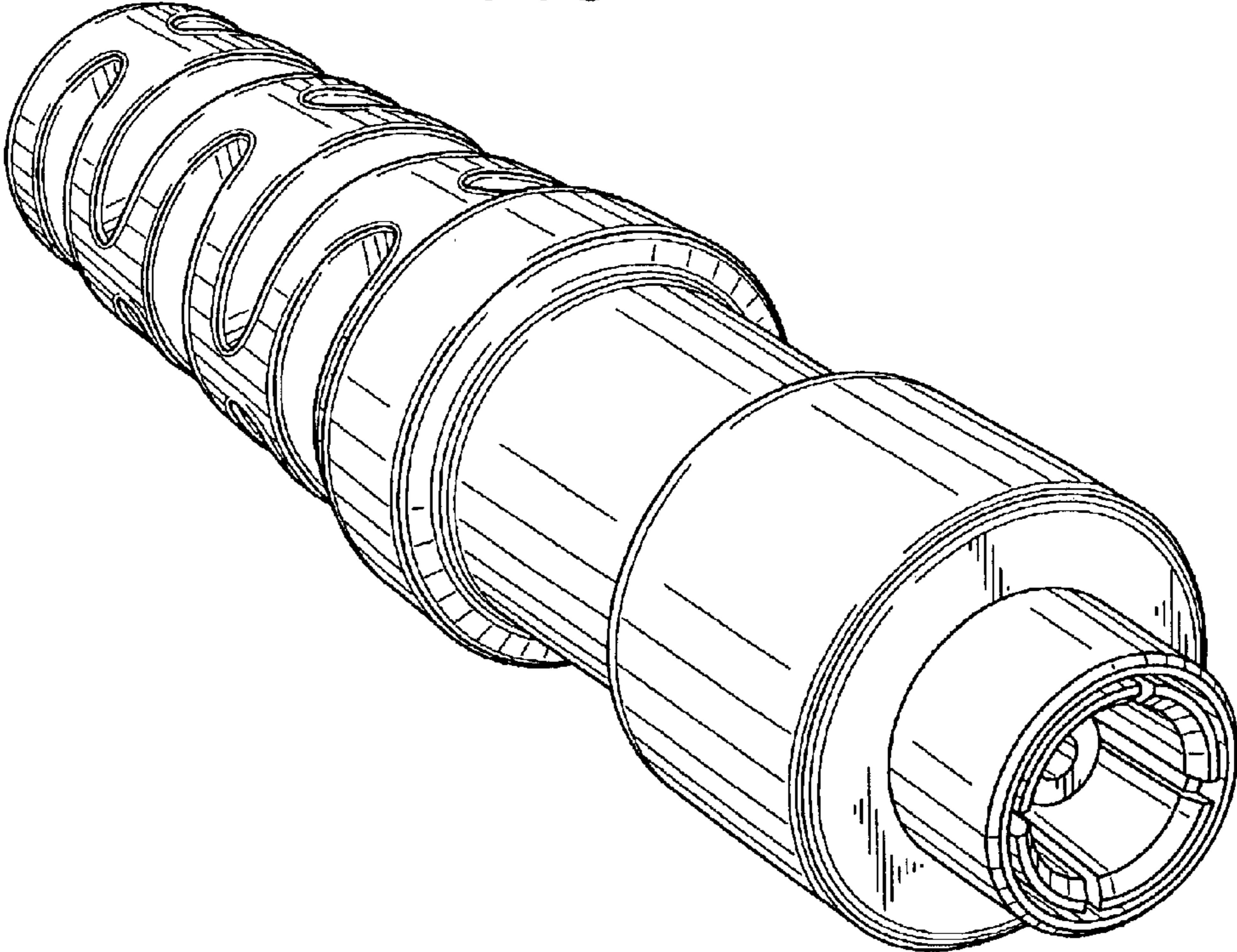


FIG. 2

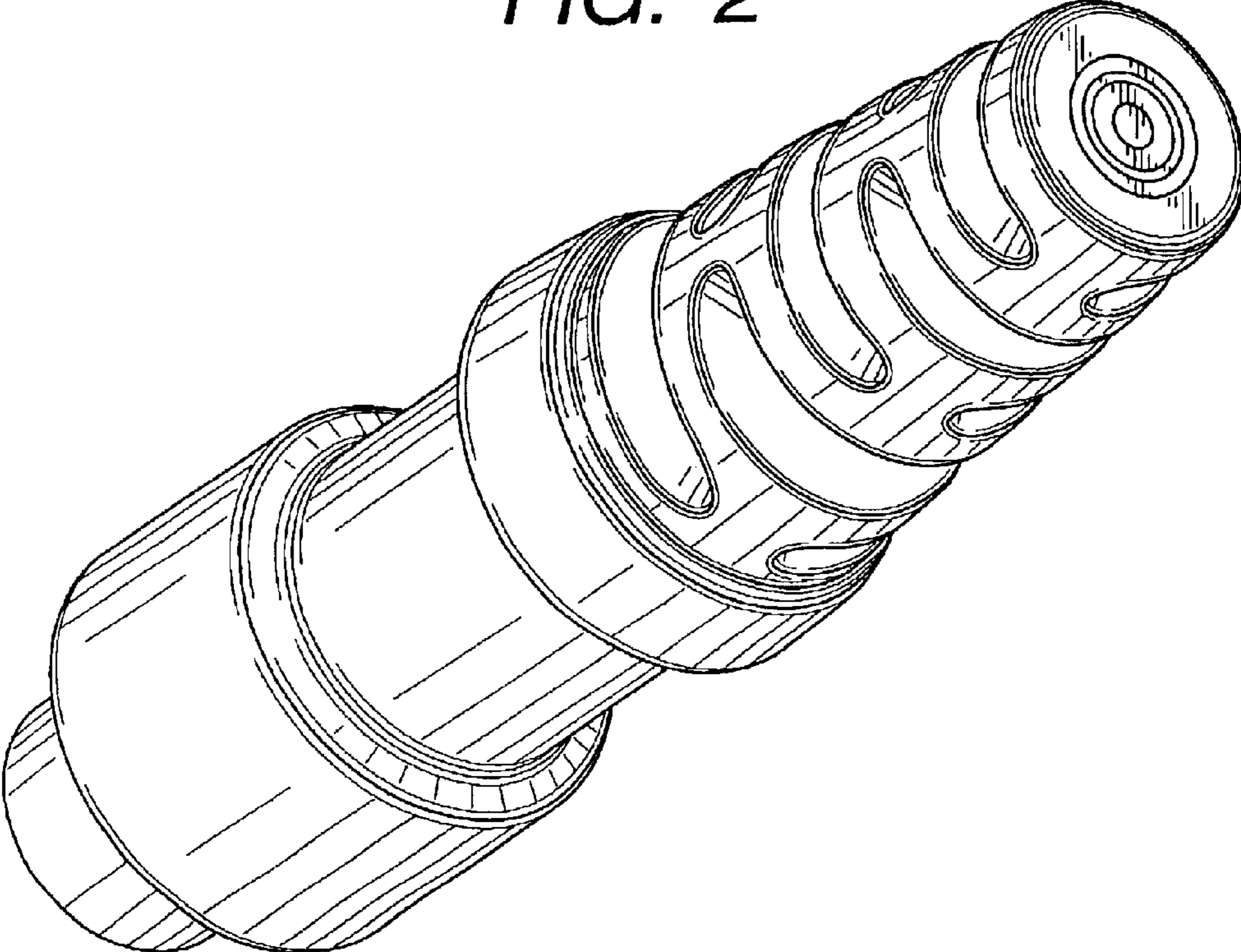


FIG. 3

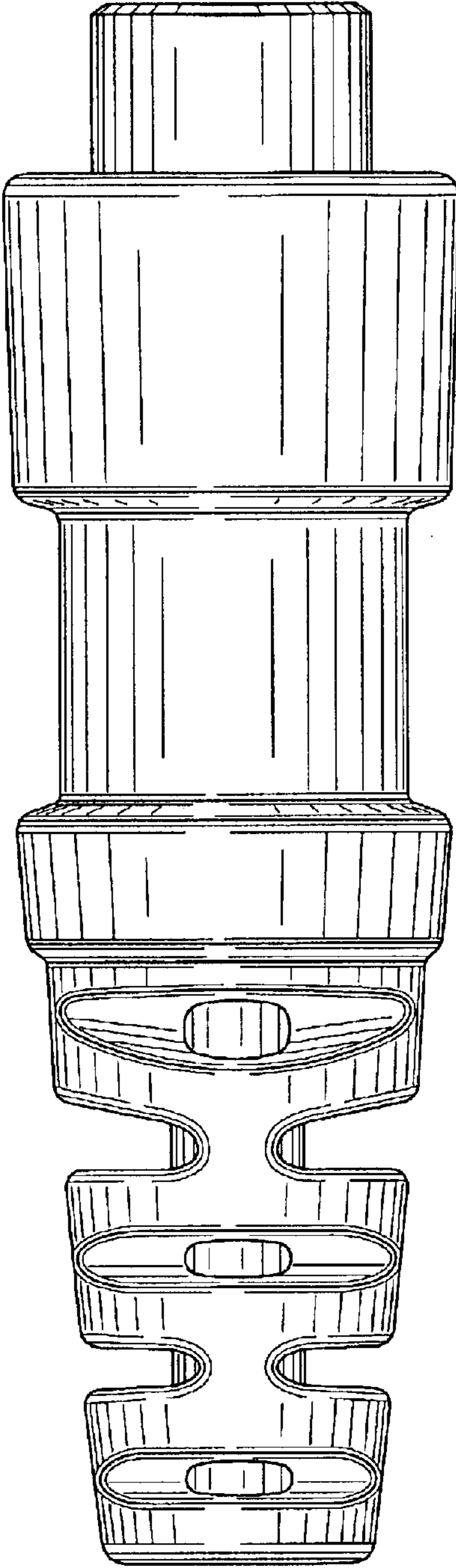


FIG. 4

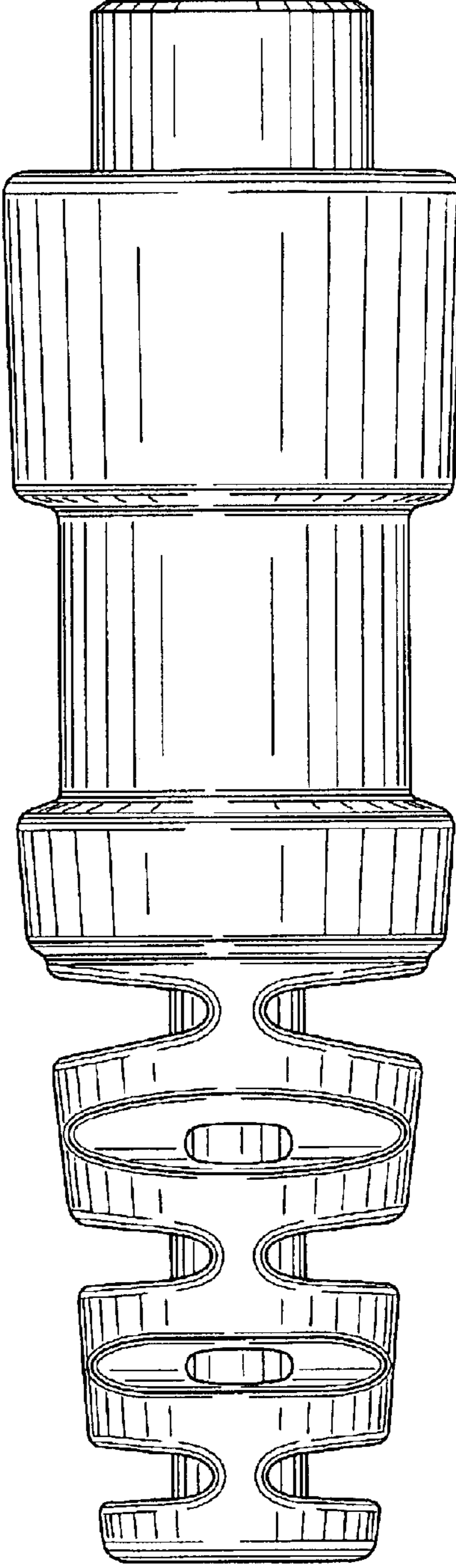


FIG. 5

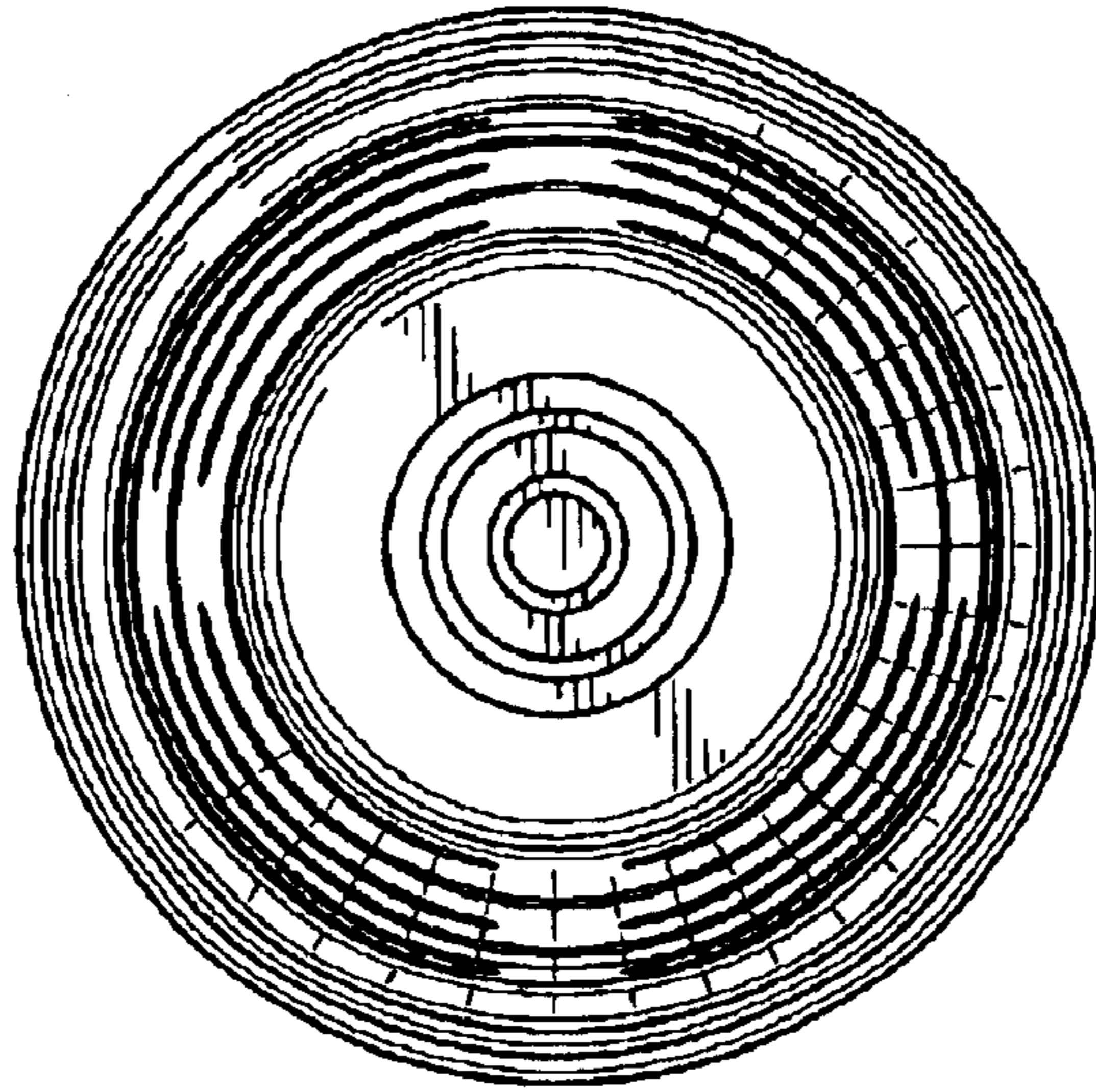


FIG. 6

