

US00D500470S

(12) **United States Design Patent**
Rice

(10) **Patent No.:** **US D500,470 S**
(45) **Date of Patent:** **** Jan. 4, 2005**

(54) **FRONT FACE OF A VEHICLE WHEEL**

(75) **Inventor:** **Kevin Rice**, Feldkirchen (DE)

(73) **Assignee:** **Bayerische Motoren Werke
Aktiengesellschaft**, Munich (DE)

(**) **Term:** **14 Years**

(21) **Appl. No.:** **29/188,657**

(22) **Filed:** **Aug. 22, 2003**

(30) **Foreign Application Priority Data**

Feb. 25, 2003 (DE) 403 01 698

(51) **LOC (7) Cl.** **12-16**

(52) **U.S. Cl.** **D12/211**

(58) **Field of Search** D12/204-213;
301/37.101, 64.101, 65

(56) **References Cited**

U.S. PATENT DOCUMENTS

D407,057 S * 3/1999 Goplen D12/211

D432,479 S * 10/2000 Lee et al. D12/209
D467,856 S * 12/2002 Pfeiffer D12/209
D470,093 S * 2/2003 Frizzi D12/209
D486,110 S * 2/2004 Elmitt D12/211
D486,113 S * 2/2004 Lecher et al. D12/211
D492,234 S * 6/2004 Kataoka D12/209

* cited by examiner

Primary Examiner—Stacia Cadmus

(74) *Attorney, Agent, or Firm*—Crowell & Moring LLP

(57) **CLAIM**

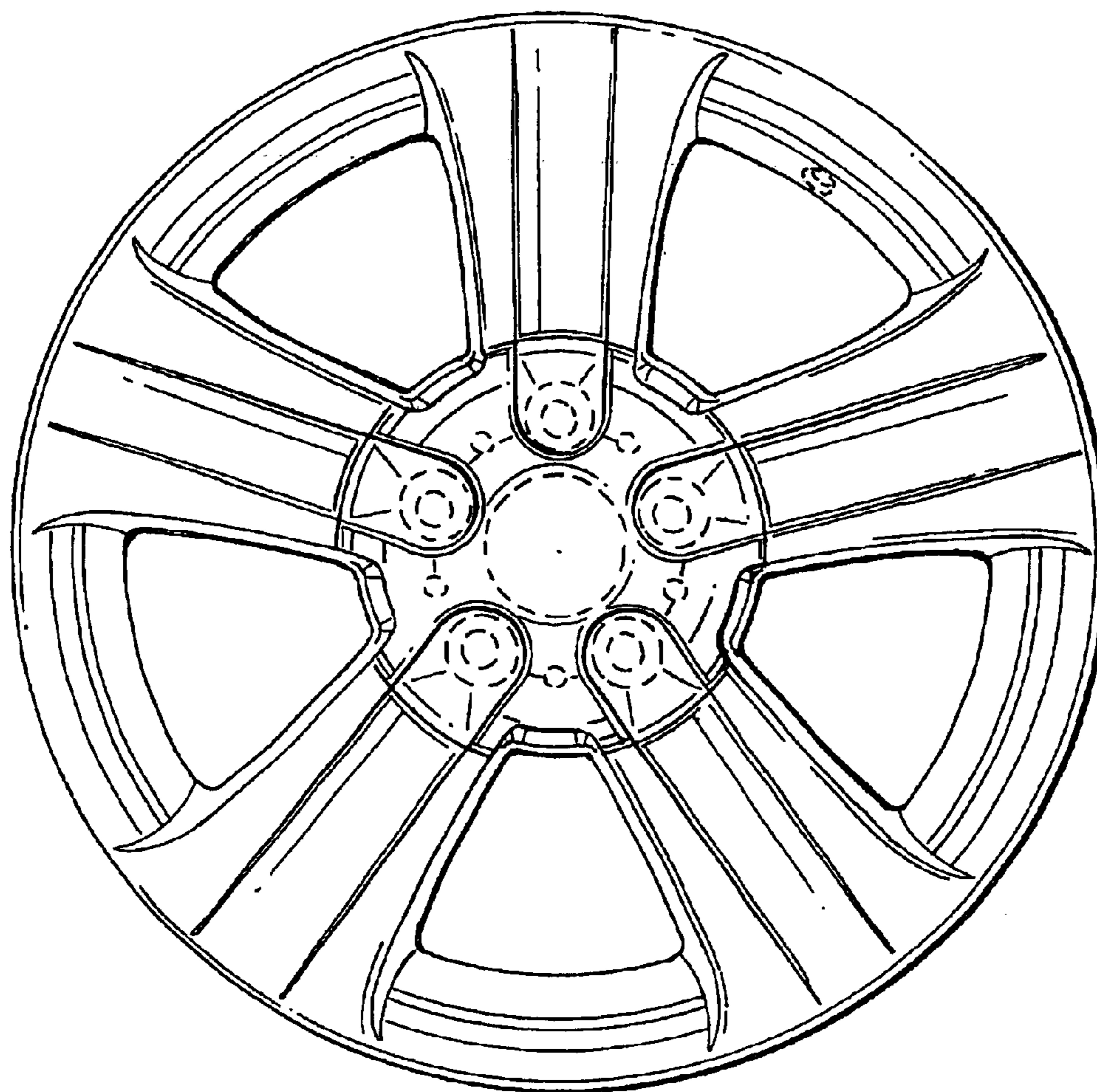
The ornamental design for a front face of a vehicle wheel,
as shown and described.

DESCRIPTION

FIG. 1 is a front view of a front face of a vehicle wheel
according to my novel design; and,

FIG. 2 is a perspective view of the front face of a vehicle
wheel according to my novel design.

1 Claim, 1 Drawing Sheet



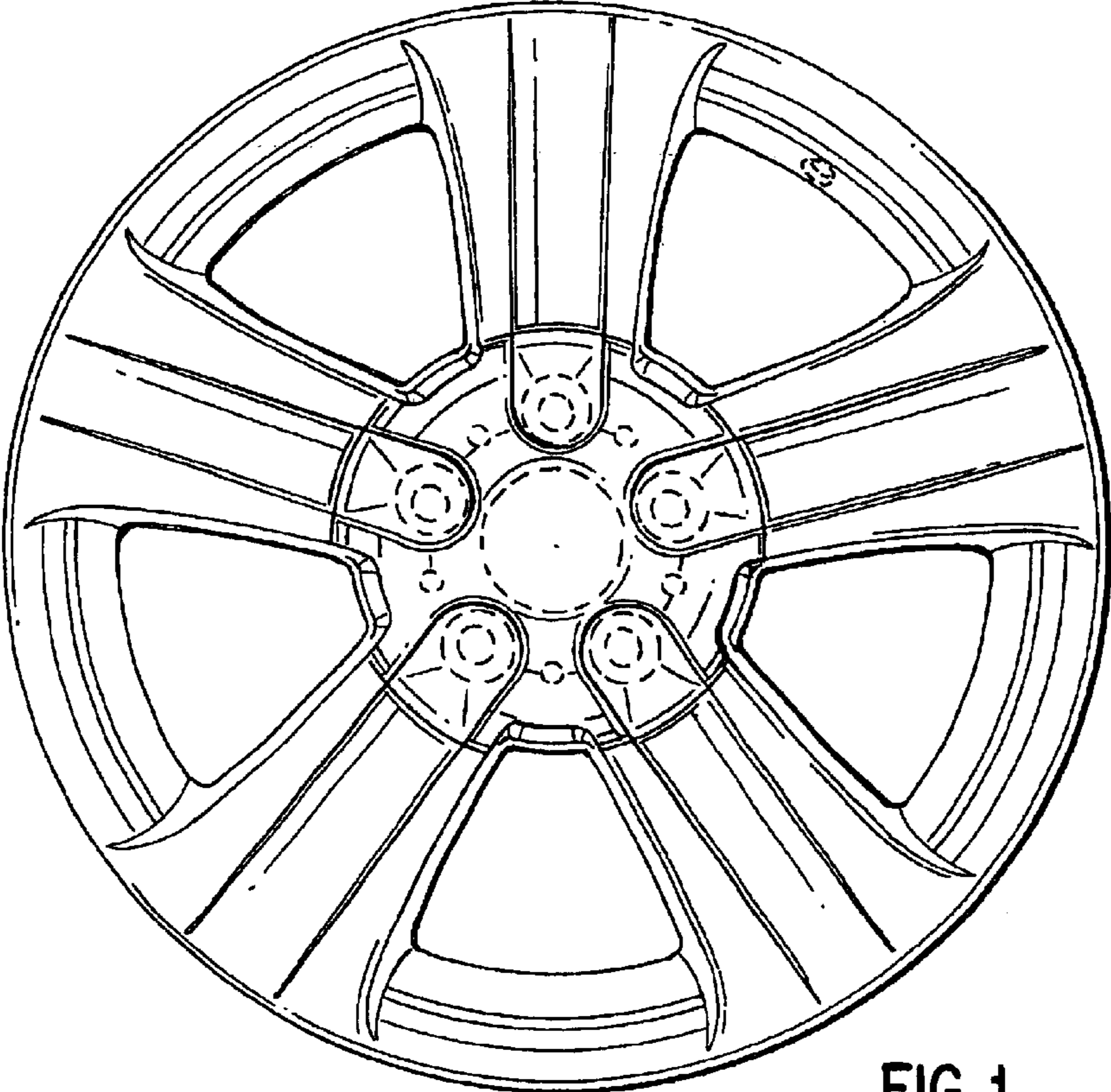


FIG. 1.

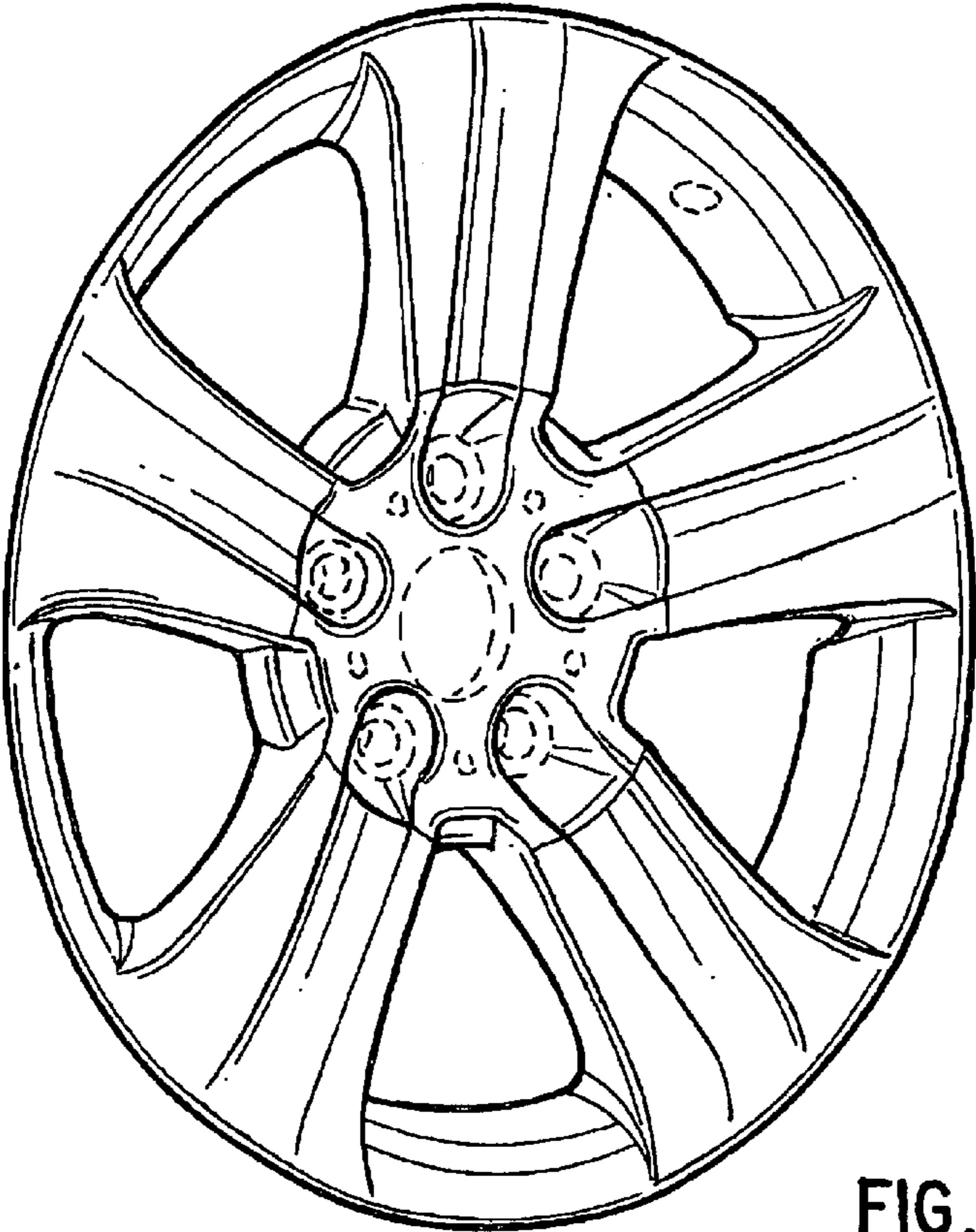


FIG. 2