

US00D500469S

(12) **United States Design Patent**
Brintouch et al.

(10) **Patent No.: US D500,469 S**

(45) **Date of Patent: ** Jan. 4, 2005**

(54) **WHEEL**

(75) Inventors: **Alon Brintouch**, Brooklyn, NY (US);
Eric Brintouch, Brooklyn, NY (US)

(73) Assignee: **Atlantic Wholesalers Inc.**, Brooklyn, NY (US)

(**) Term: **14 Years**

(21) Appl. No.: **29/185,375**

(22) Filed: **Jun. 26, 2003**

(51) **LOC (7) Cl.** **12-16**

(52) **U.S. Cl.** **D12/209**

(58) **Field of Search** D12/204-213;
301/37.101, 64.101, 65

(56) **References Cited**

U.S. PATENT DOCUMENTS

D412,480 S	*	8/1999	Hussaini et al.	D12/209
D451,462 S	*	12/2001	Donikoglu	D12/209
D452,674 S	*	1/2002	Wartono	D12/209
D466,849 S	*	12/2002	Lee	D12/209
D475,672 S	*	6/2003	Chung	D12/209

D487,881 S	*	3/2004	Laengerer	D12/209
D491,124 S	*	6/2004	Rice	D12/209
D491,865 S	*	6/2004	Warming	D12/209
D491,871 S	*	6/2004	Kang	D12/209
D493,403 S	*	7/2004	Kataoka	D12/209

* cited by examiner

Primary Examiner—Stacia Cadmus

(74) *Attorney, Agent, or Firm*—Davidson, Davidson & Kappel, LLC

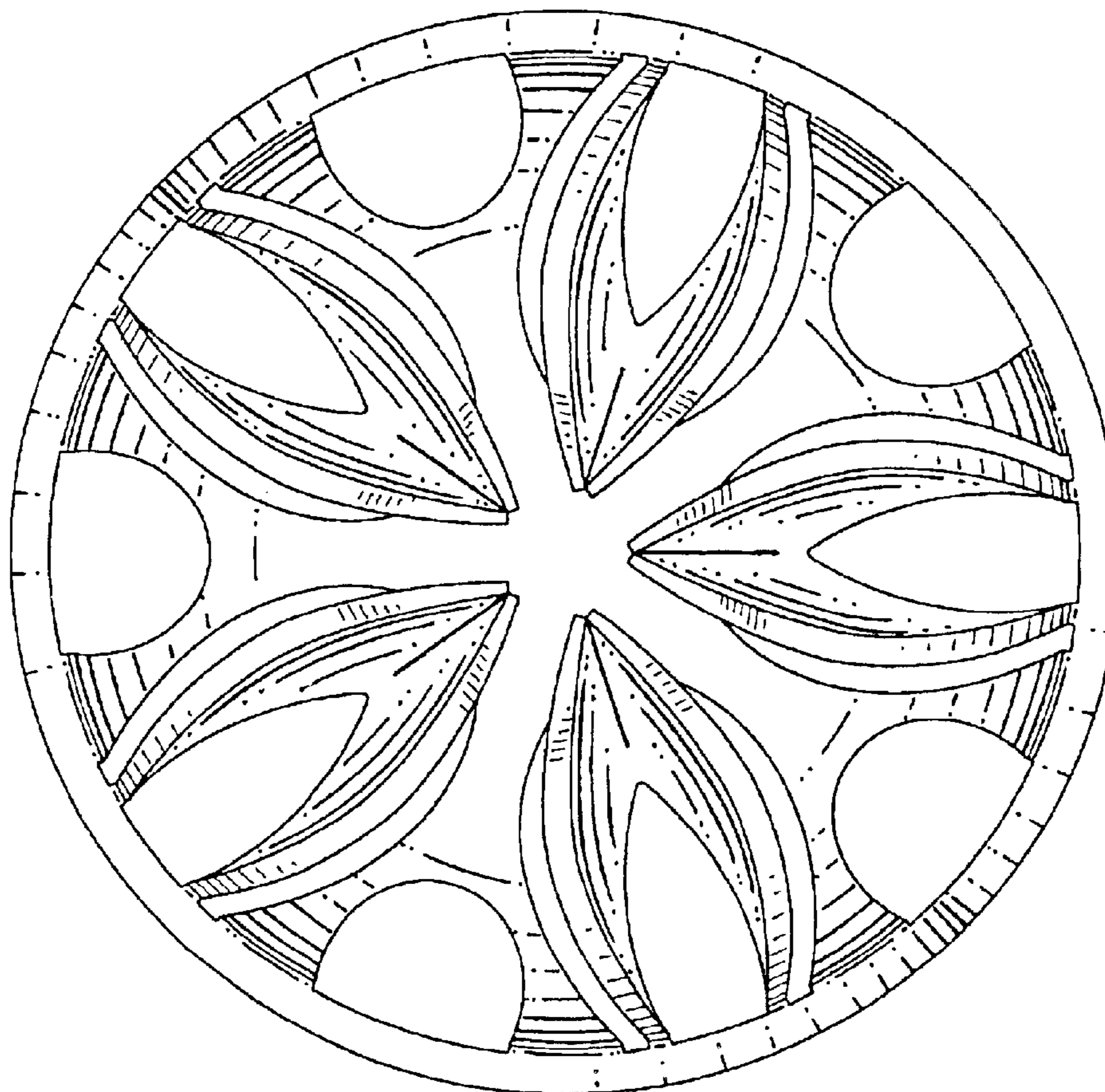
(57) **CLAIM**

The ornamental design for the wheel, as shown and described.

DESCRIPTION

FIG. 1 is a front view of the wheel;
 FIG. 2 is a front and side perspective view of the wheel;
 FIG. 3 is a front view of a second embodiment of the wheel;
 and,
 FIG. 4 is a front and side perspective view of a second embodiment of the wheel.
 The bottom and sides of the wheel shown in broken line form no part of the claimed design thereof.

1 Claim, 4 Drawing Sheets



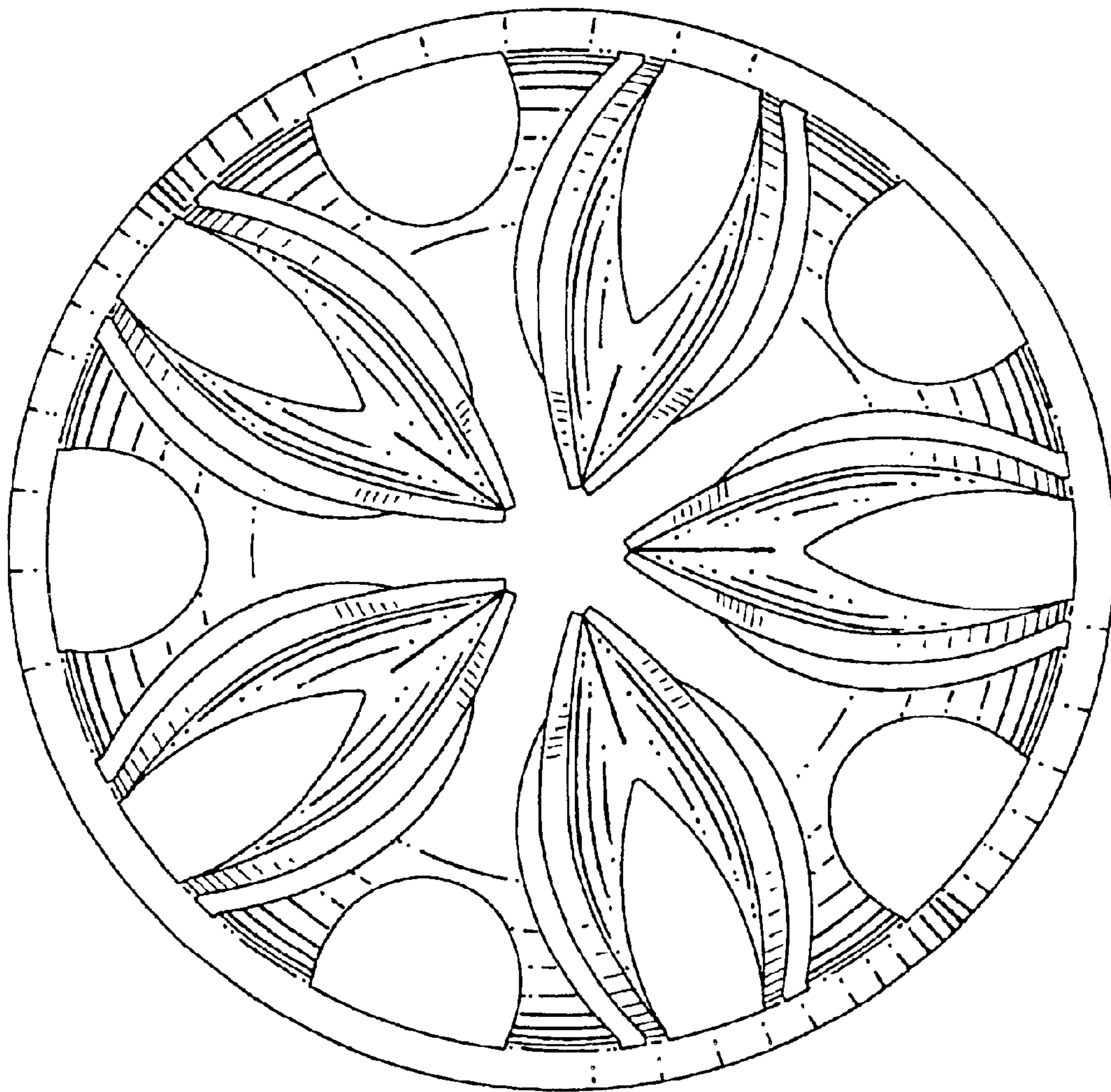


FIG. 1

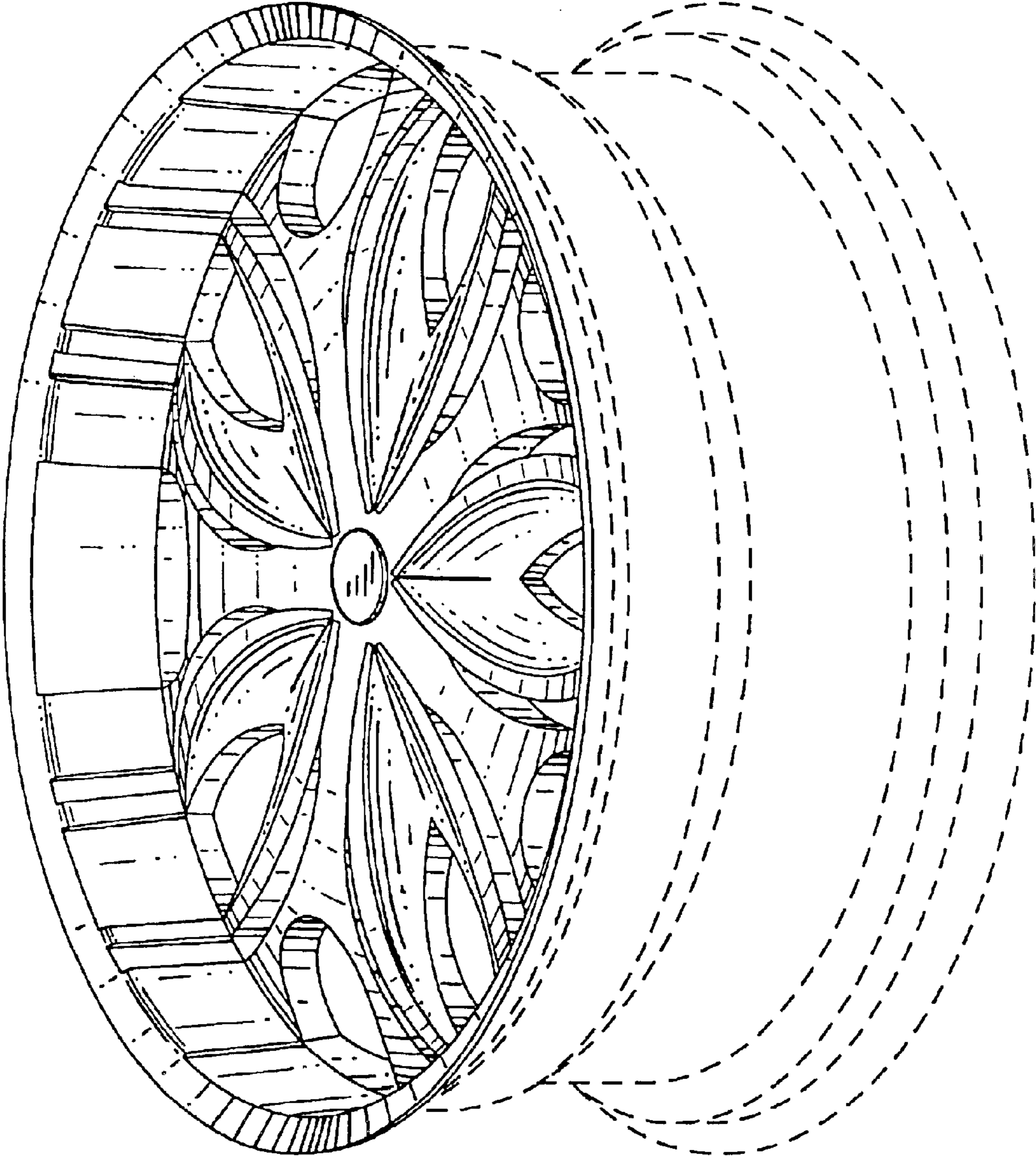


FIG. 2

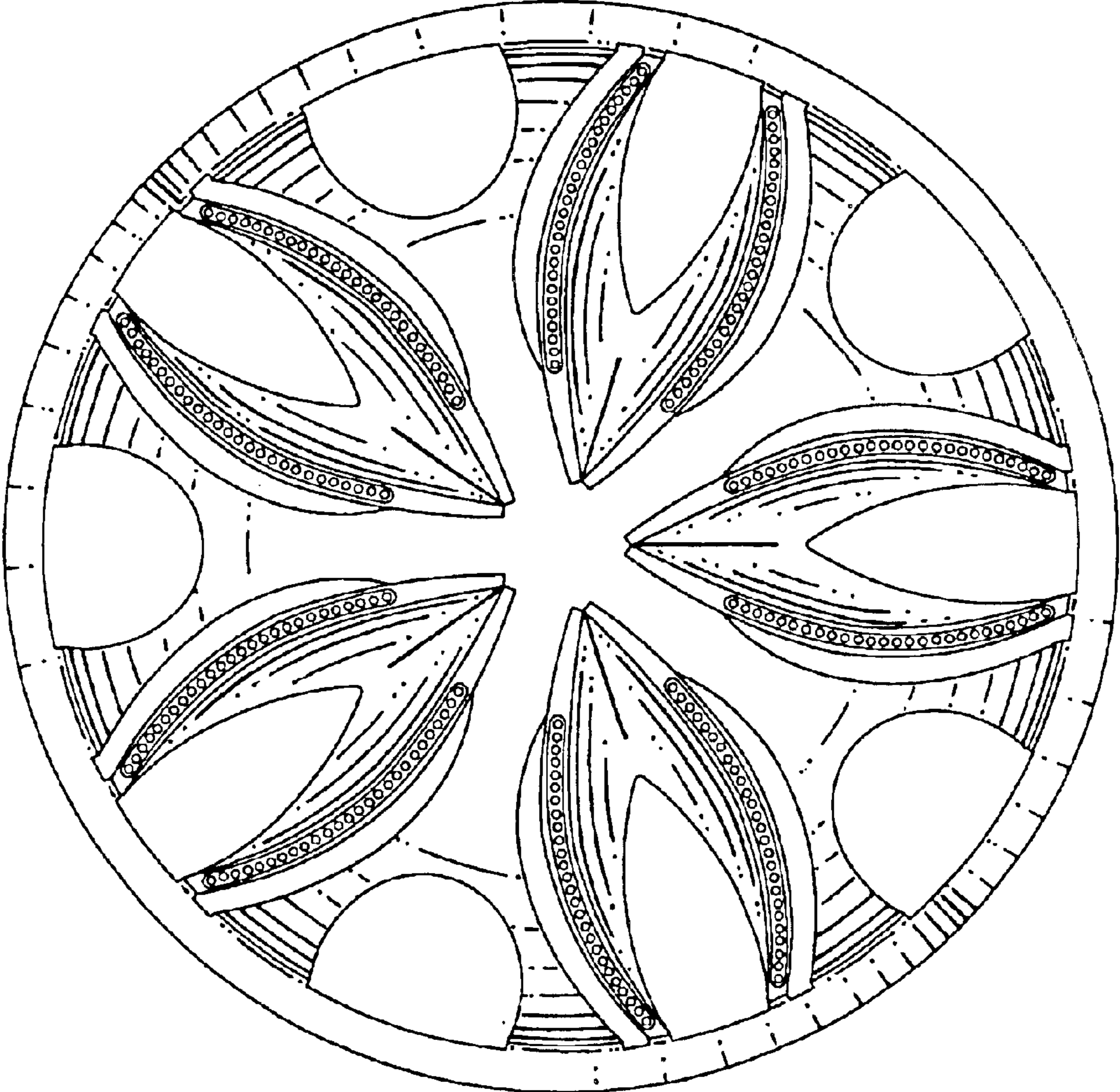


FIG. 3

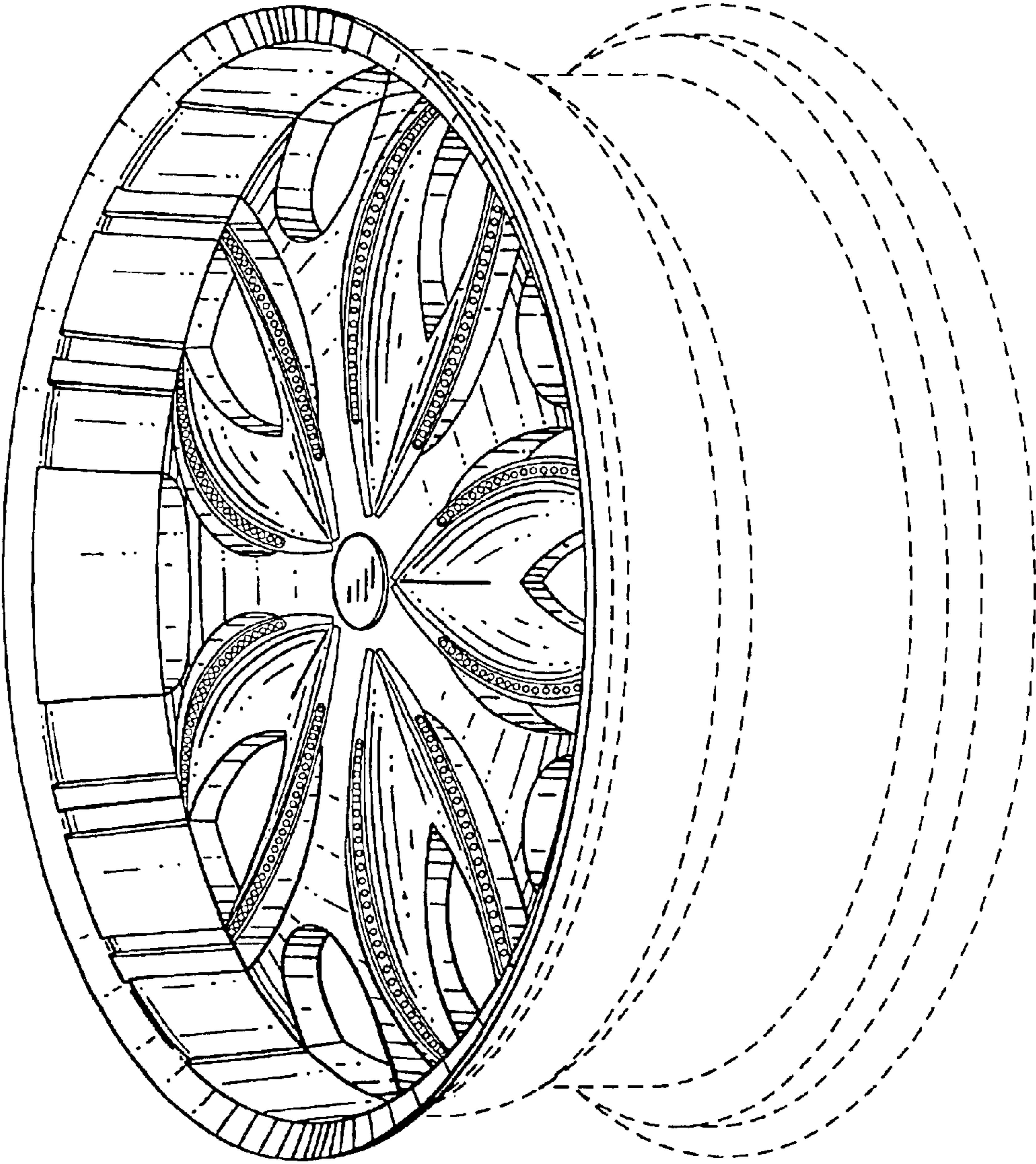


FIG. 4