

US00D500463S

(12) **United States Design Patent**
Heinrich et al.

(10) **Patent No.: US D500,463 S**
(45) **Date of Patent: ** Jan. 4, 2005**

(54) **SURFACE CONFIGURATION OF A
MOTORCYCLE, TOY AND/OR OTHER
REPLICAS**

(75) Inventors: **Edgar Heinrich**, Freising (DE); **David
Irwin Robb**, Munich (DE)

(73) Assignee: **Bayerische Motoren Werke
Aktiengesellschaft**, Munich (DE)

(**) Term: **14 Years**

(21) Appl. No.: **29/194,471**

(22) Filed: **Nov. 26, 2003**

(30) **Foreign Application Priority Data**

May 28, 2003 (DE) 403 03 911

(51) **LOC (7) Cl.** **12-11**

(52) **U.S. Cl.** **D12/110**

(58) **Field of Search** D12/110; 180/219;
D21/432, 538; 446/440; 280/828

(56) **References Cited**

U.S. PATENT DOCUMENTS

D437,262 S * 2/2001 Robb et al. D12/110
D444,103 S * 6/2001 Robb et al. D12/110

* cited by examiner

Primary Examiner—Alan P. Douglas

Assistant Examiner—Linda Brooks

(74) *Attorney, Agent, or Firm*—Crowell & Moring LLP

(57) **CLAIM**

The ornamental design for a surface configuration of a motorcycle, toy and/or other replicas, as shown and described.

DESCRIPTION

FIG. 1 is a left, front perspective view of a surface configuration of a motorcycle, toy and/or other replicas according to our novel design;

FIG. 2 is a right, front perspective view of the surface configuration of a motorcycle, toy and/or other replicas according to our novel design;

FIG. 3 is a left side view of the surface configuration of a motorcycle, toy and/or other replicas according to our novel design;

FIG. 4 is a right side view of the surface configuration of a motorcycle, toy and/or other replicas according to our novel design;

FIG. 5 is a left, rear perspective view of the surface configuration of a motorcycle, toy and/or other replicas according to our novel design;

FIG. 6 is a right, rear perspective view of the surface configuration of a motorcycle, toy and/or other replicas according to our novel design;

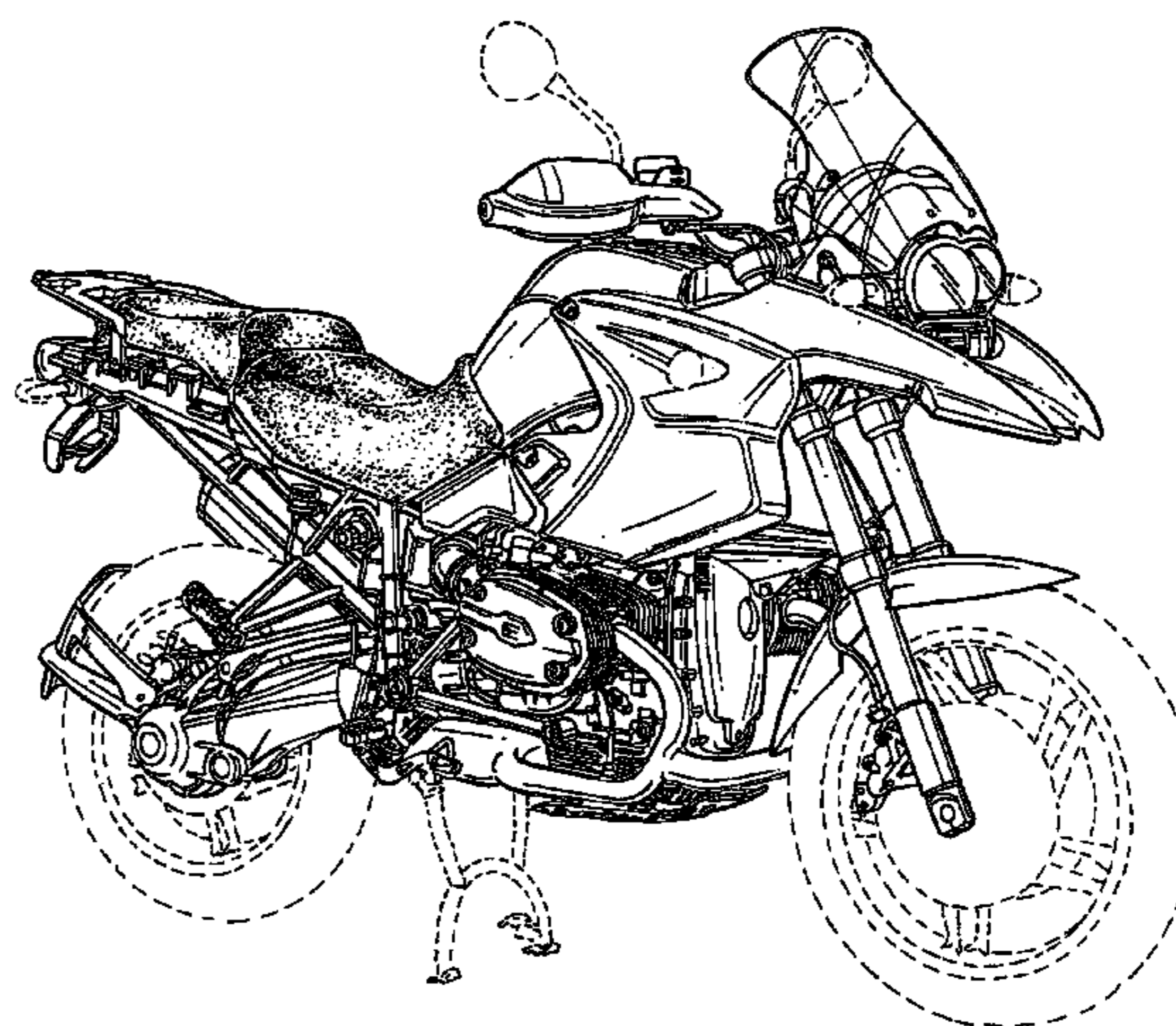
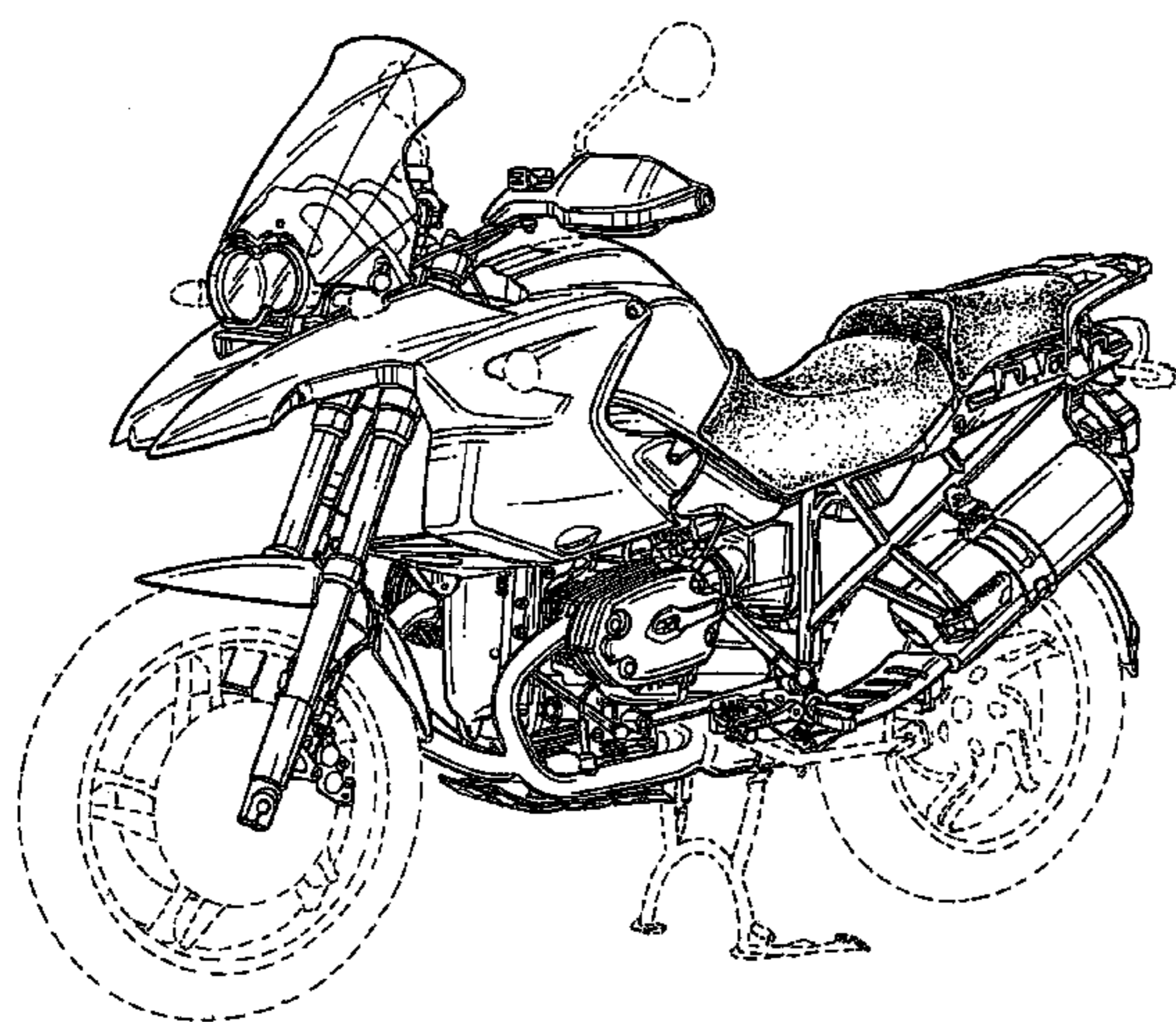
FIG. 7 is a front view of the surface configuration of a motorcycle, toy and/or other replicas according to our novel design;

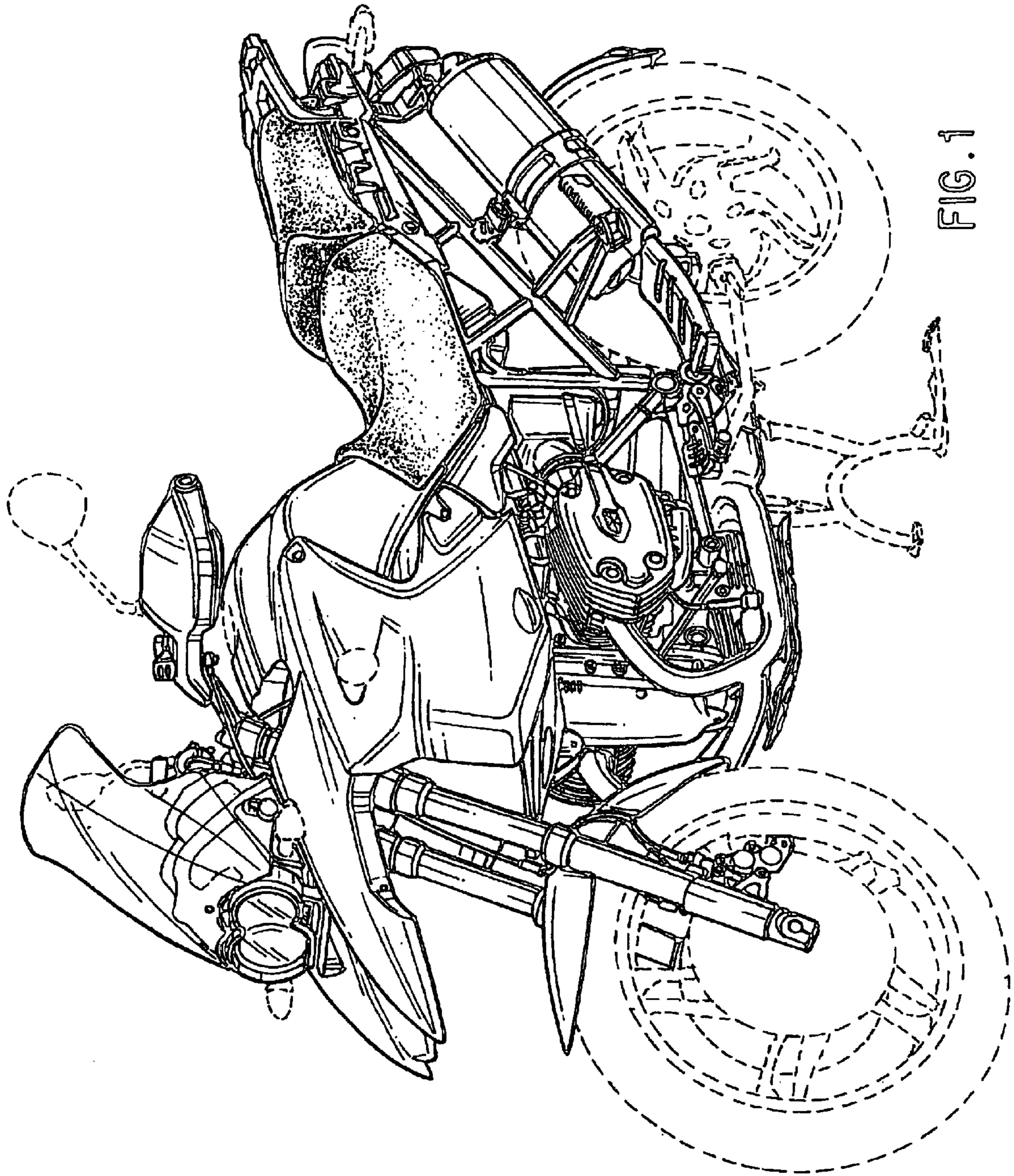
FIG. 8 is a rear view of the surface configuration of a motorcycle, toy and/or other replicas according to our novel design; and,

FIG. 9 is a top view of the surface configuration of a motorcycle, toy and/or other replicas according to our novel design.

The broken lines are for illustrative purposes only and form no part of the claimed design.

1 Claim, 8 Drawing Sheets





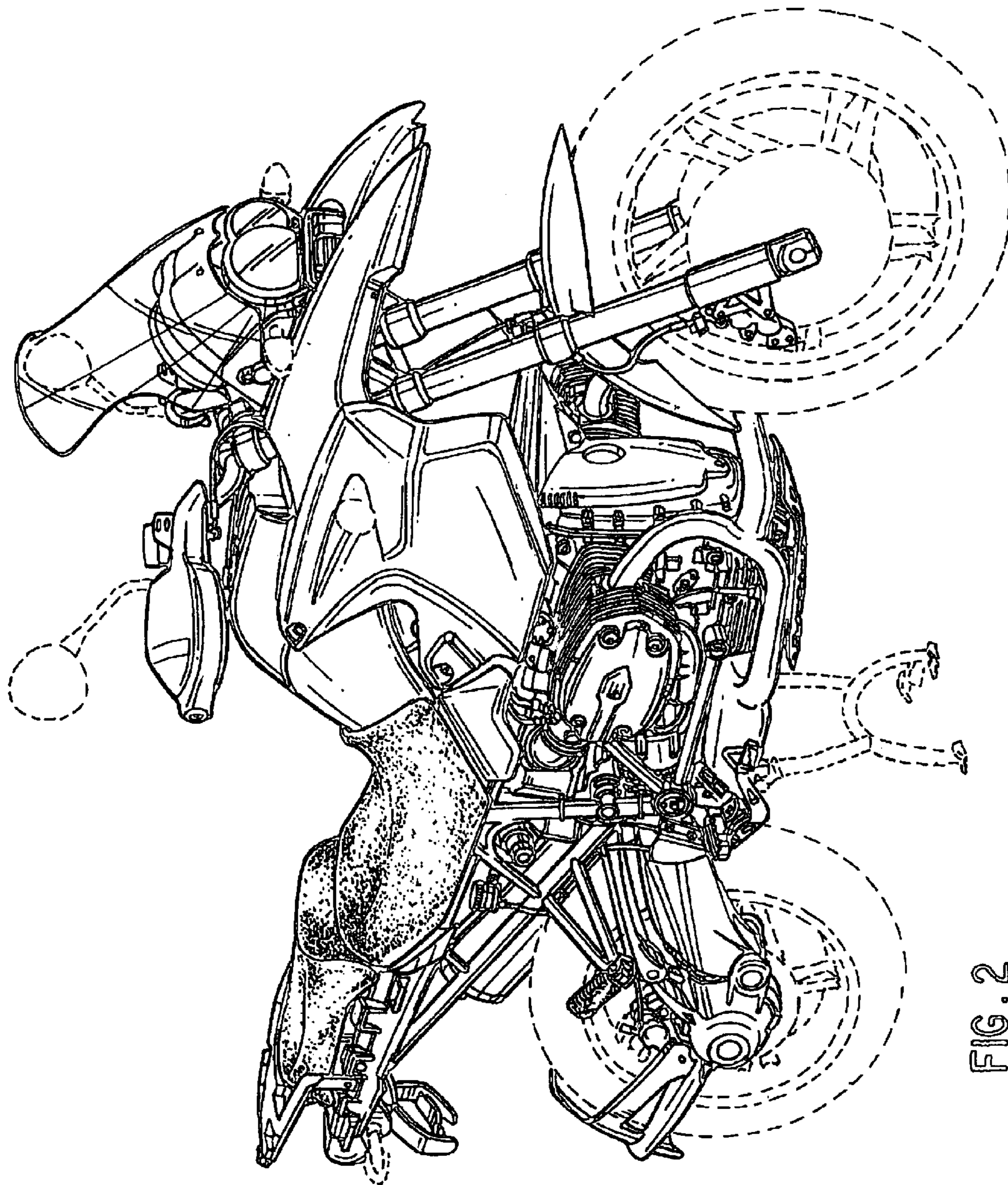


FIG. 2

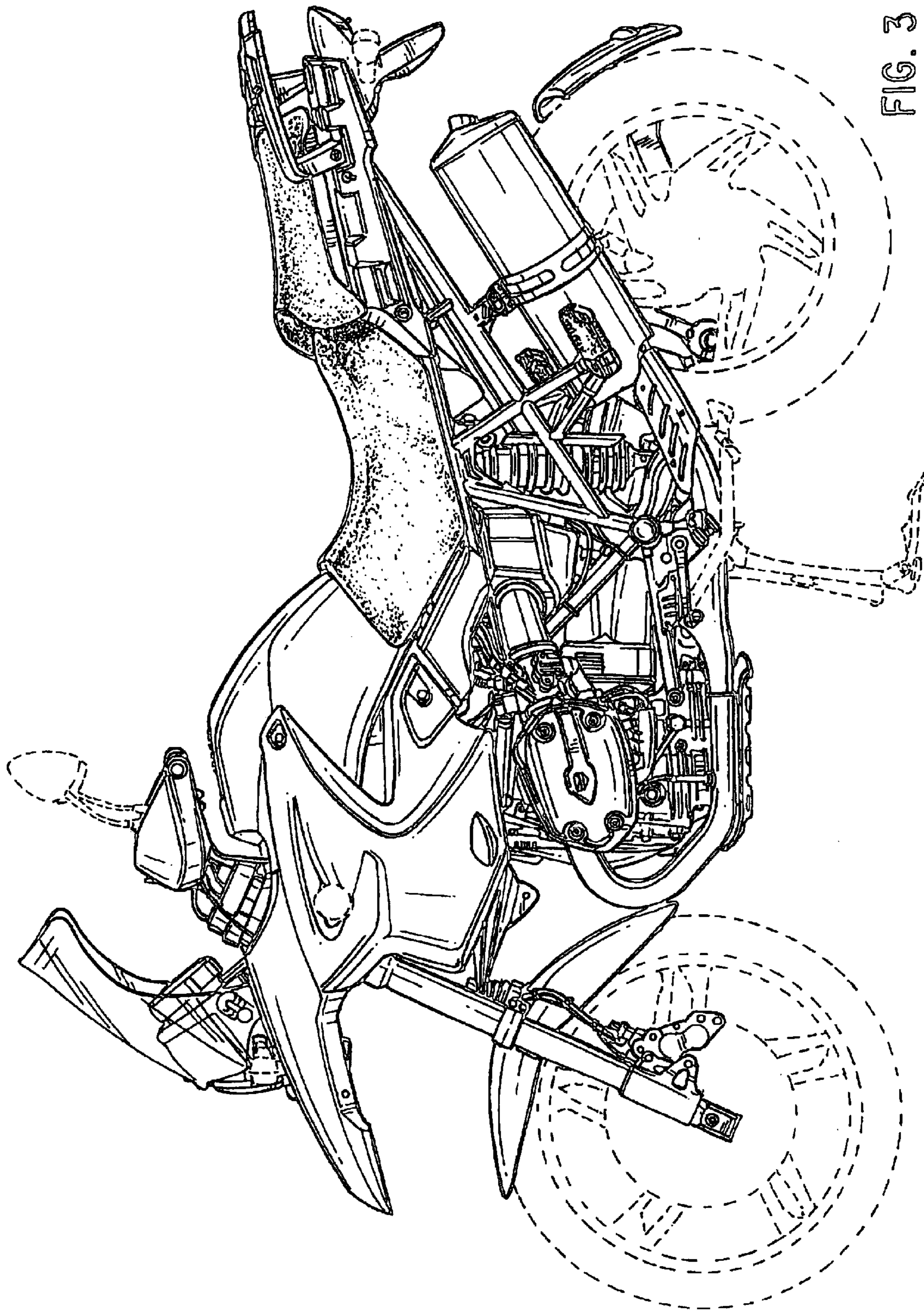


FIG. 3

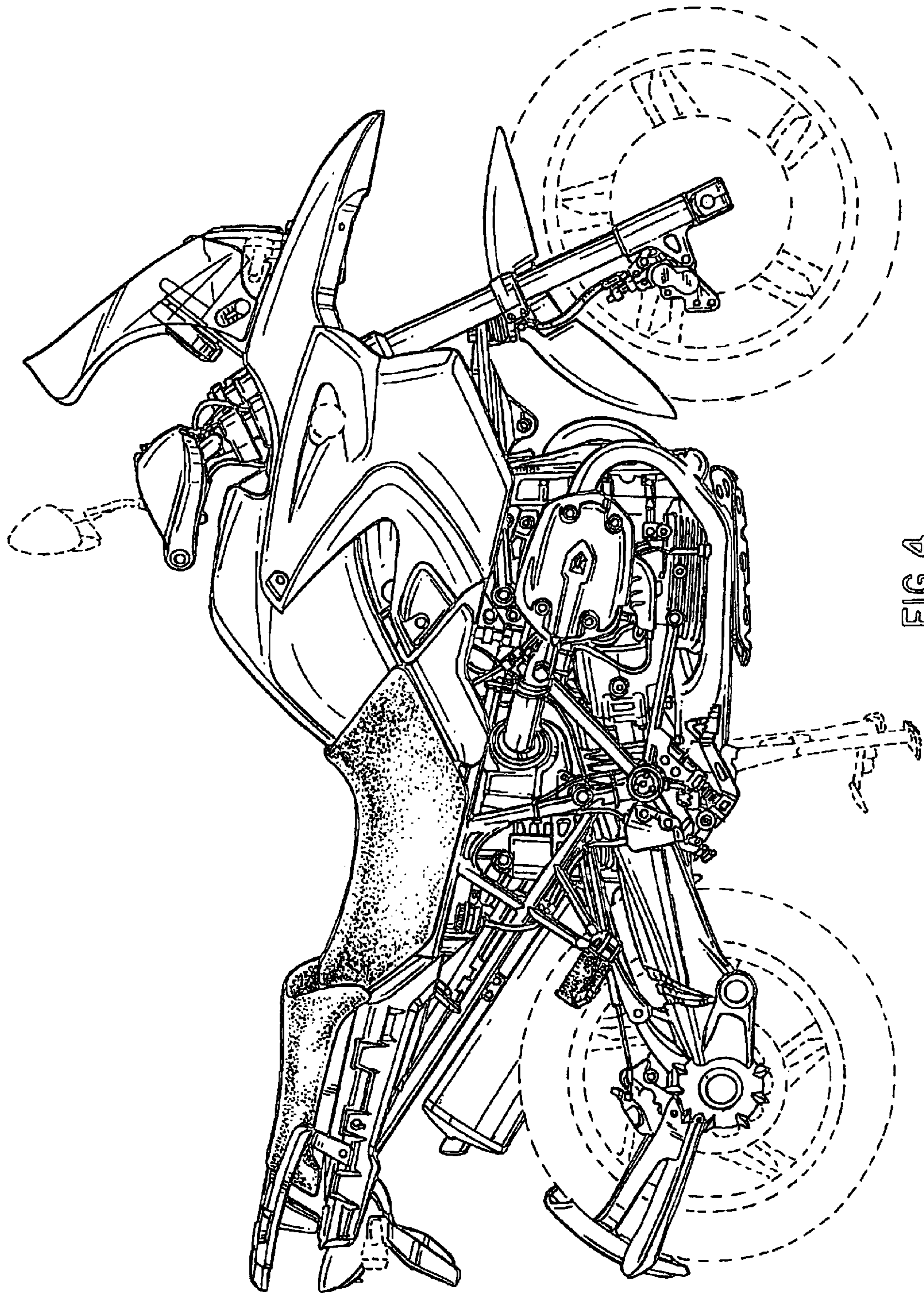


FIG. 4

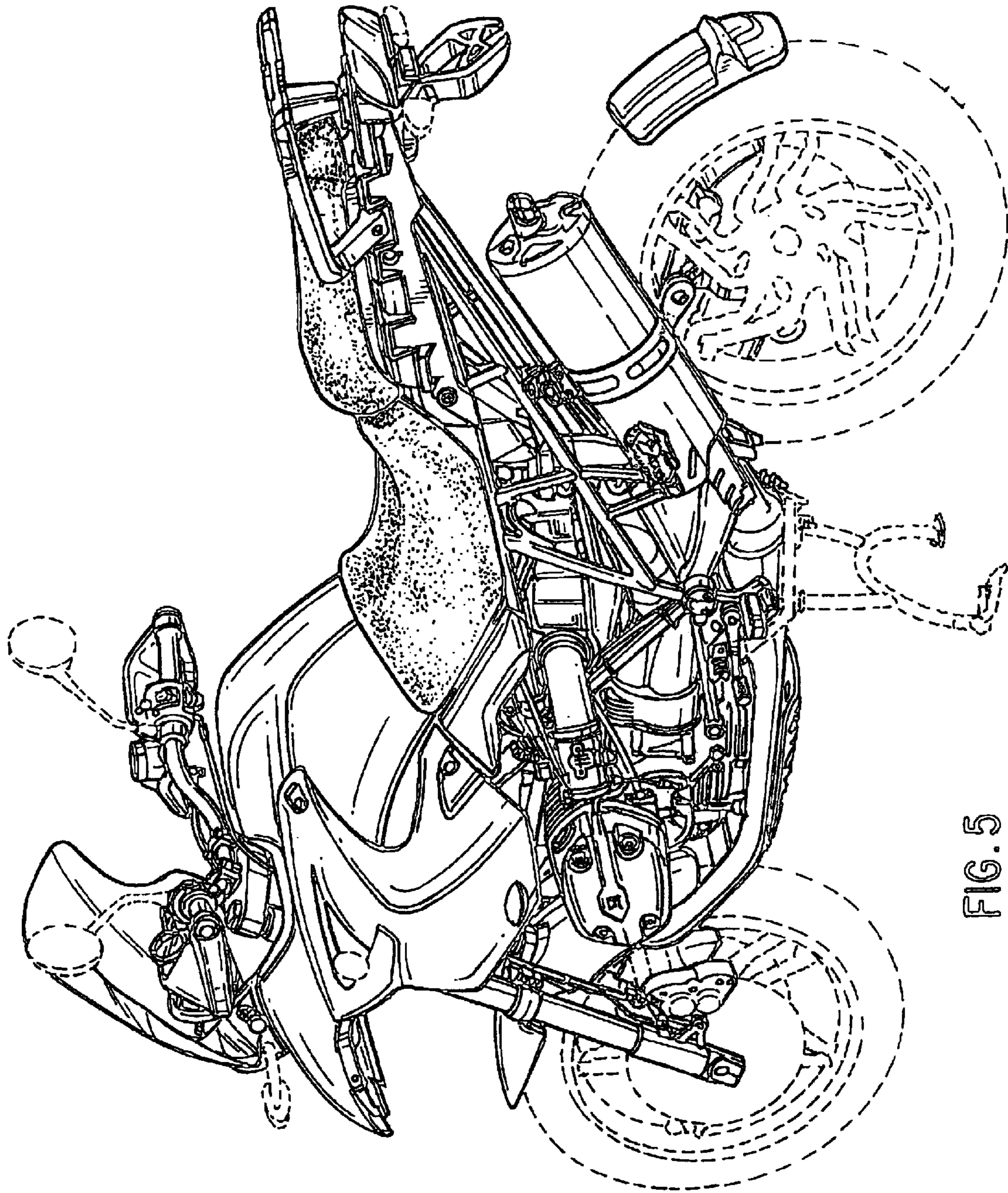


FIG. 5

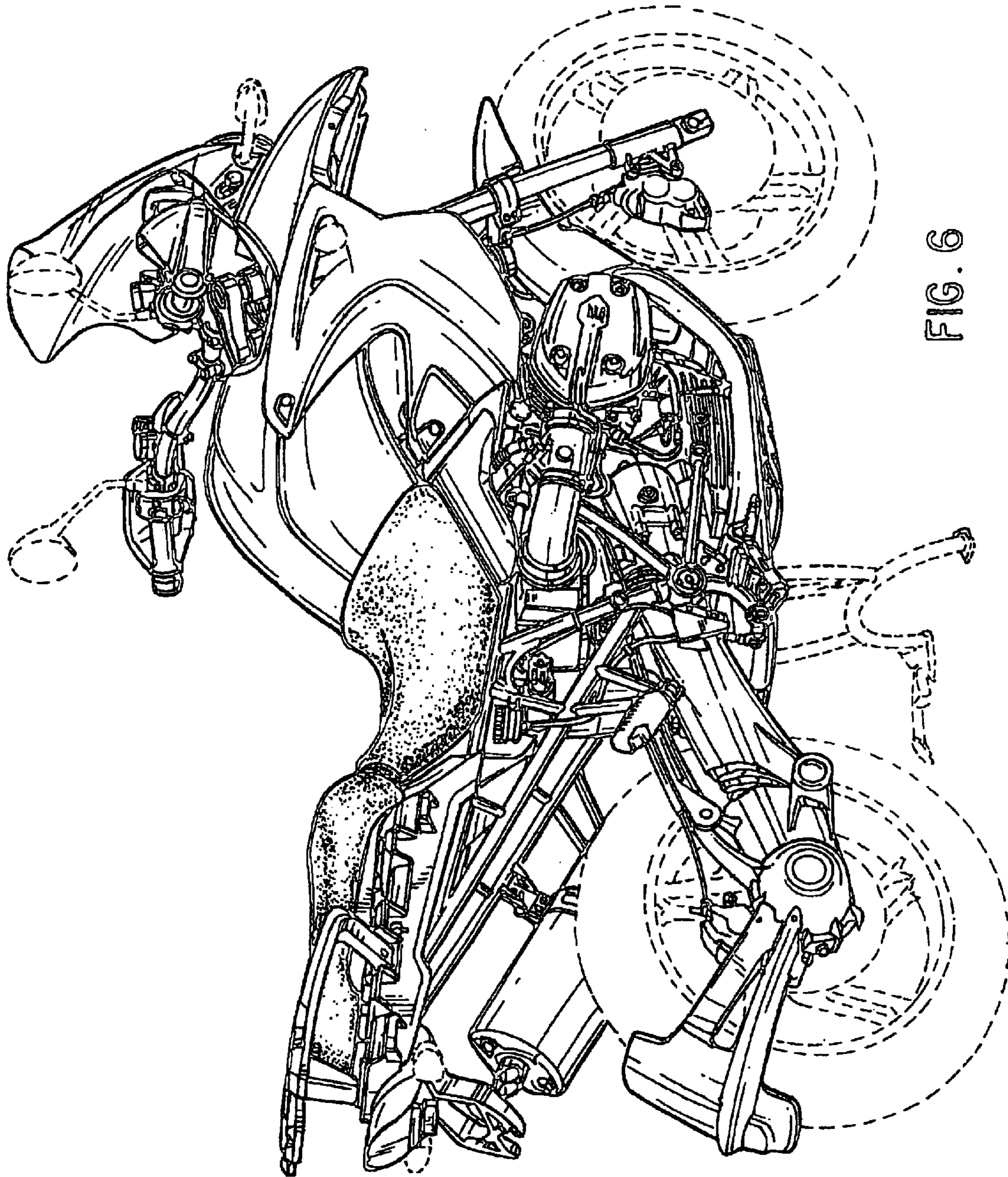


FIG. 6

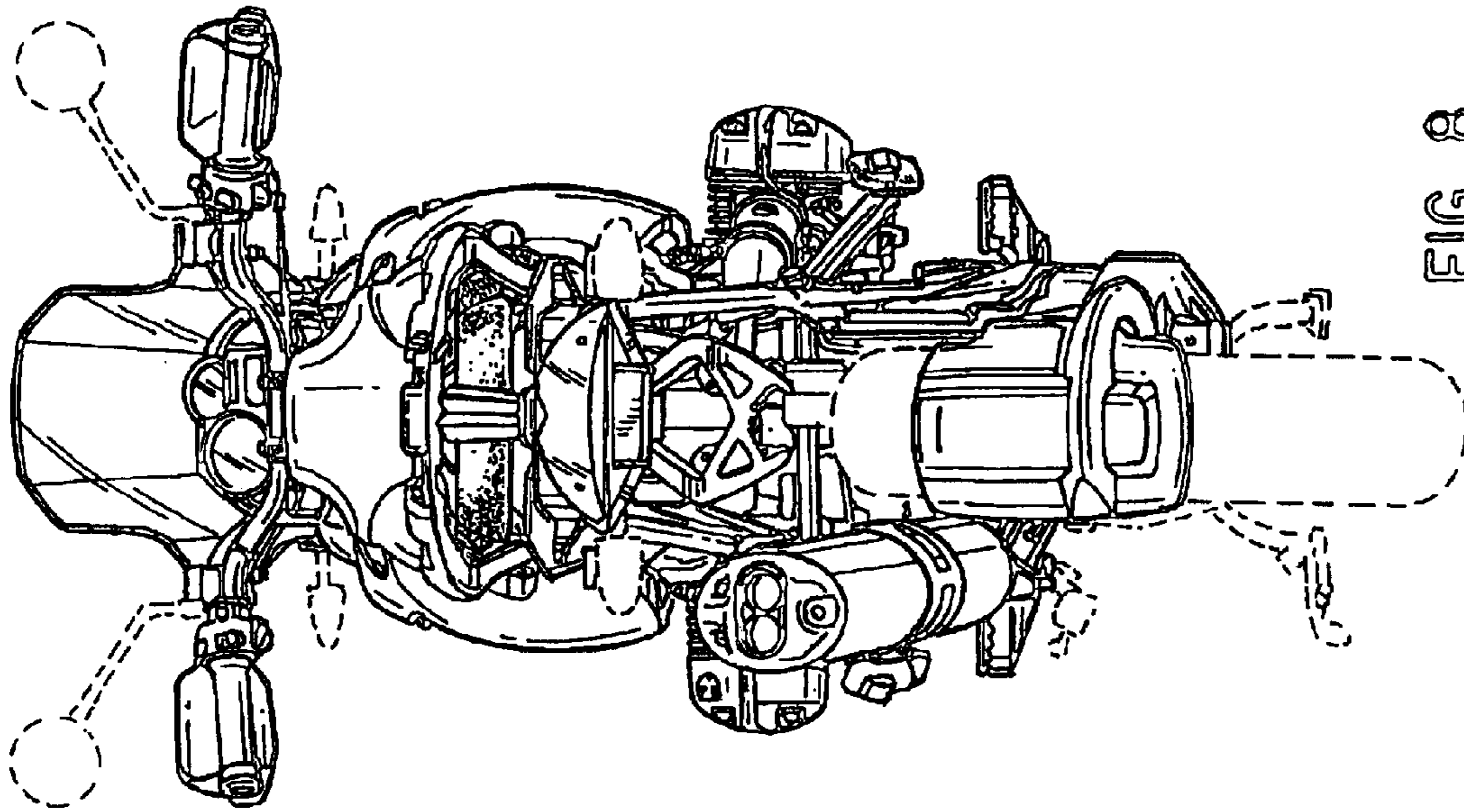


FIG. 8

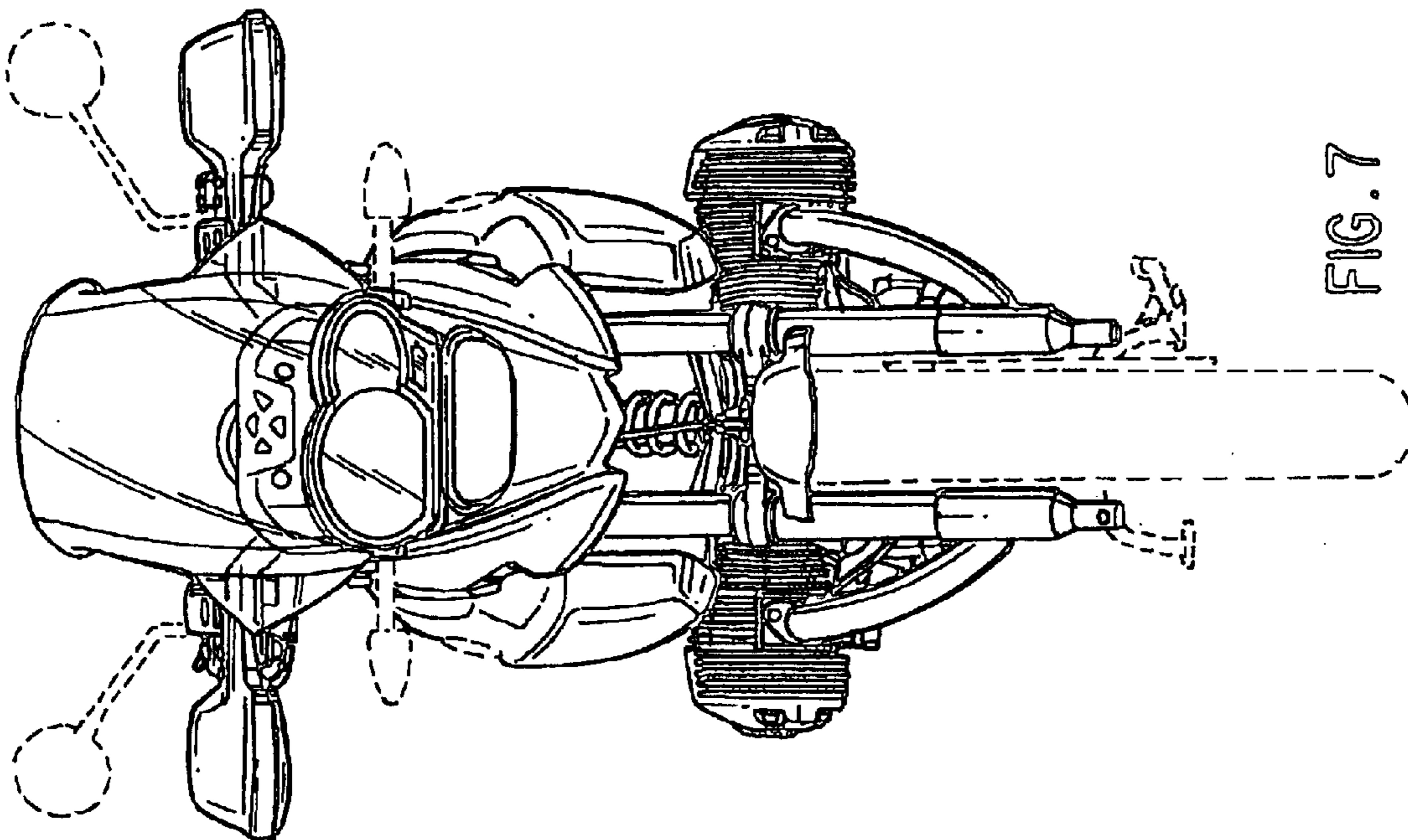


FIG. 7

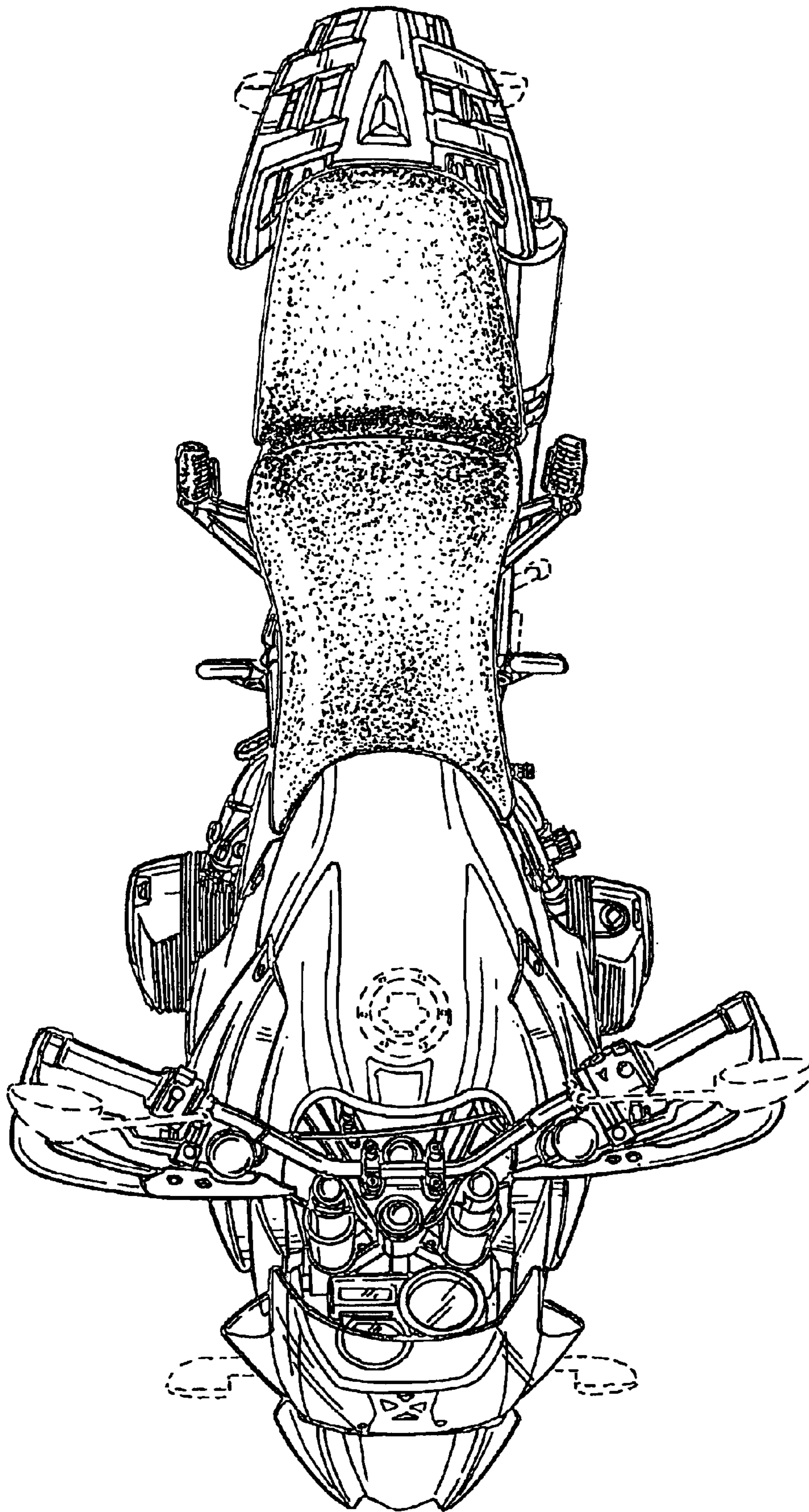


FIG. 9