

US00D500459S

(12) **United States Design Patent**  
**Phlippeau**

(10) **Patent No.:** **US D500,459 S**  
(45) **Date of Patent:** **\*\* Jan. 4, 2005**

(54) **REVERSIBLE MAGNETIC CLASP**

(75) Inventor: **Jerry M. Phlippeau**, Peru, IL (US)

(73) Assignee: **Flipo Group Limited**, LaSalle, IL (US)

(\*\*) Term: **14 Years**

(21) Appl. No.: **29/194,532**

(22) Filed: **Nov. 25, 2003**

(51) **LOC (7) Cl.** ..... **02-07**

(52) **U.S. Cl.** ..... **D11/200**

(58) **Field of Search** ..... D11/200-231;  
D8/382; 63/1-3; 24/196, 616, 625, 650,  
114.6, 303, 658, 41.1

(56) **References Cited**

**U.S. PATENT DOCUMENTS**

3,765,064	A	*	10/1973	Hooper et al.	.....	24/658
D425,444	S	*	5/2000	Koroki	.....	D11/220
6,122,933	A		9/2000	Ohlund	.....	63/3
D455,980	S	*	4/2002	Fildan et al.	.....	D11/200
6,484,376	B1	*	11/2002	Khatchadourian et al.	....	24/658
6,601,965	B2		8/2003	Kamara	.....	362/104
2003/0154576	A1	*	8/2003	Mirharooni	.....	24/303

\* cited by examiner

*Primary Examiner*—Catherine R. Oliver

(74) *Attorney, Agent, or Firm*—Husch & Eppenberger, LLC; David A. Chambers

(57) **CLAIM**

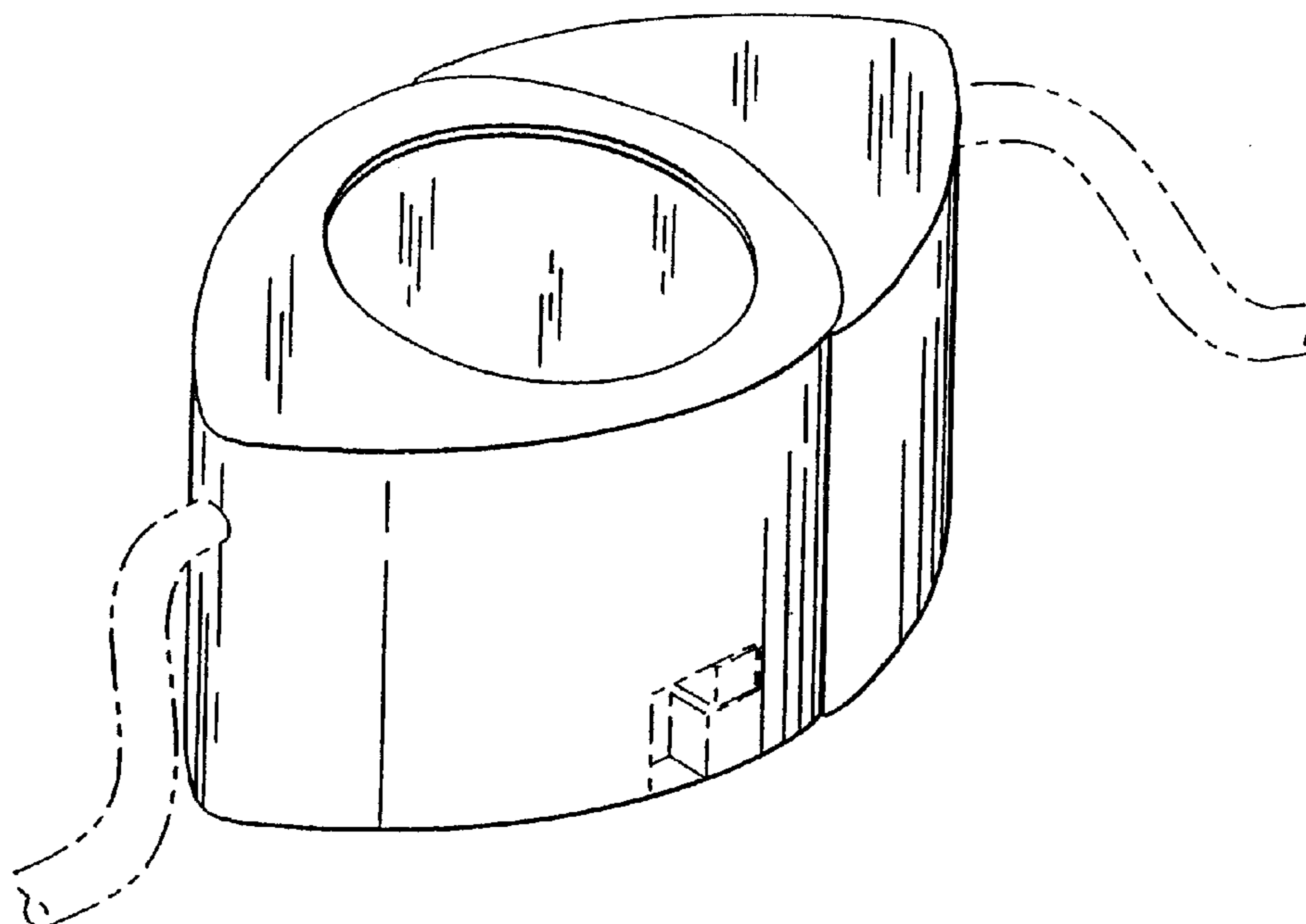
The ornamental design for a reversible magnetic clasp, substantially as shown and described.

**DESCRIPTION**

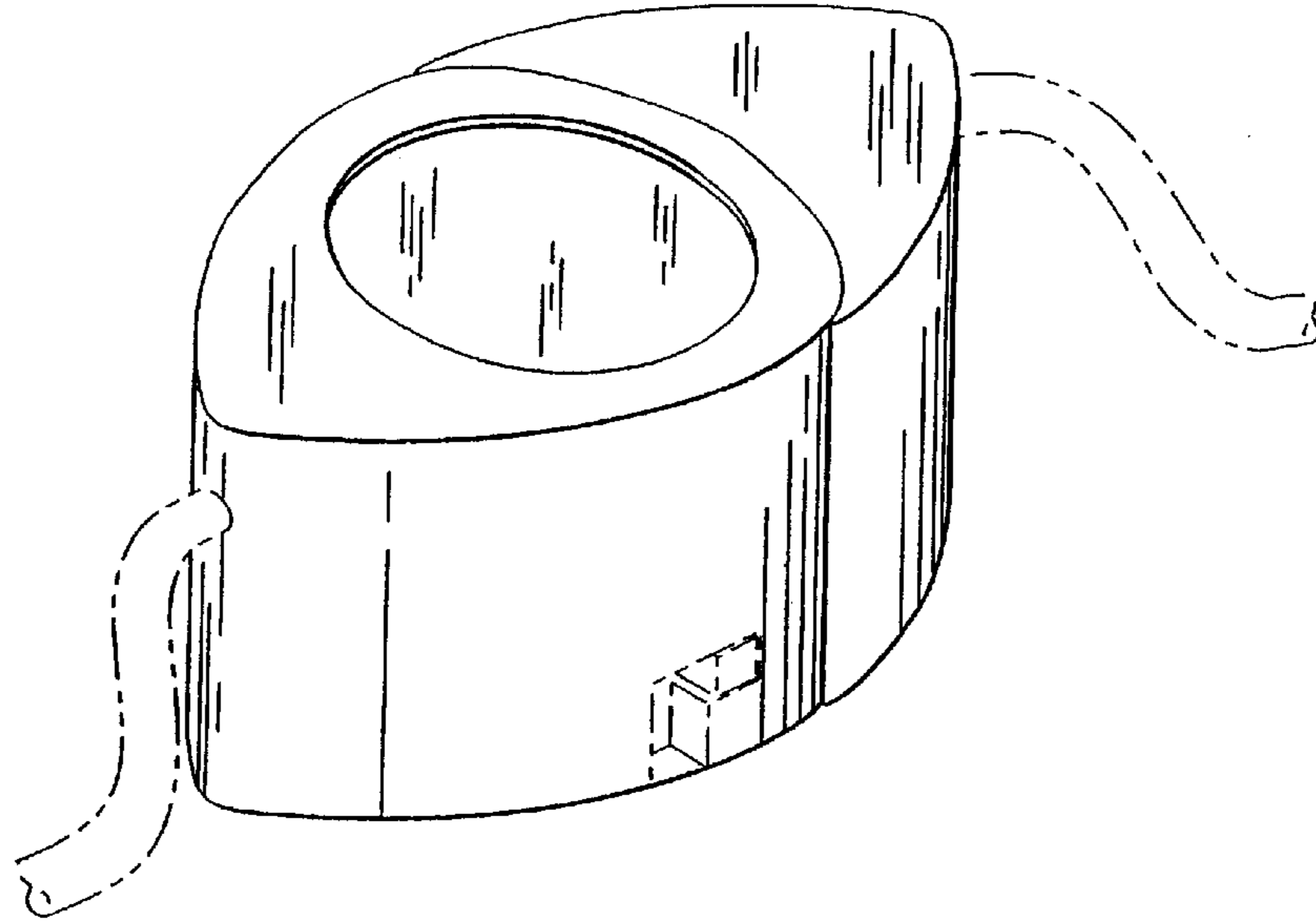
FIG. 1 is a perspective view of a reversible magnetic clasp showing my new design in a clasped position;  
 FIG. 2 is a perspective view of a reversible magnetic clasp showing my new design in an open position;  
 FIG. 3 is a side view showing the design in a clasped position;  
 FIG. 4 is a side view showing the design in an open position;  
 FIG. 5 is a top plan view shown in a clasped position;  
 FIG. 6 is a bottom plan view shown in a clasped position;  
 FIG. 7 is a front view showing one half of the reversible magnetic clasp in a first embodiment;  
 FIG. 8 is a front view showing one half of the reversible magnetic clasp in a first embodiment;  
 FIG. 9 is a front view showing one half of the reversible magnetic clasp in a second embodiment; and,  
 FIG. 10 is a front view showing one half of the reversible magnetic clasp in a second embodiment.

The broken line showing of environment in the drawings is for illustrative purposes only and forms no part of the claimed design.

**1 Claim, 5 Drawing Sheets**



**FIG - 1**



**FIG - 2**

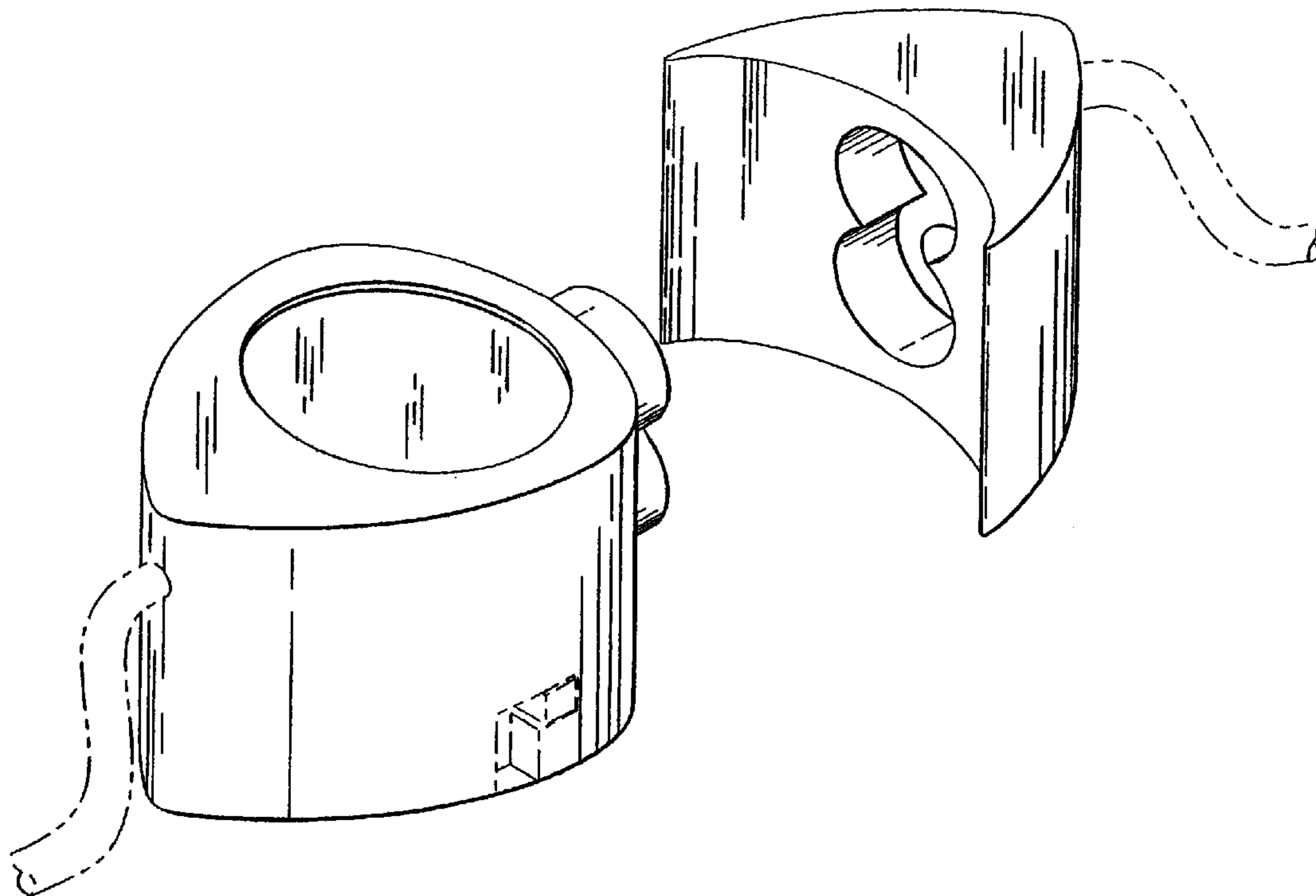


FIG - 3

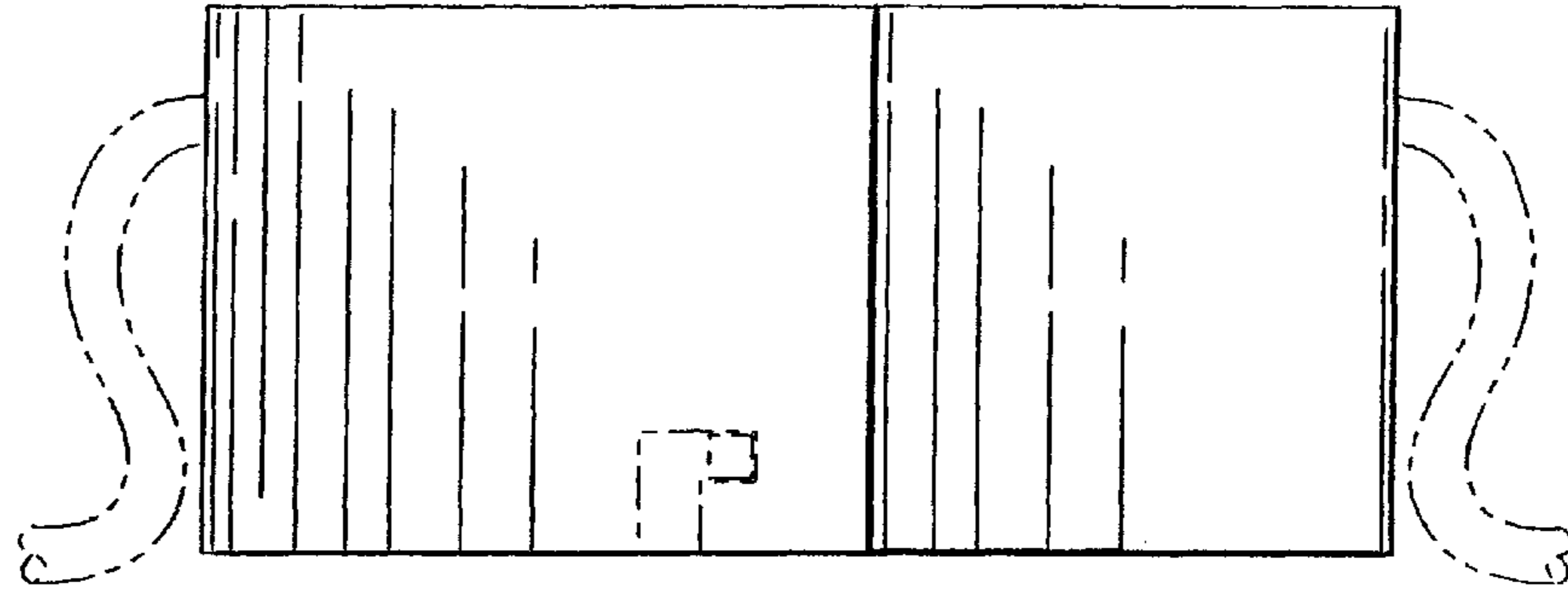


FIG - 4

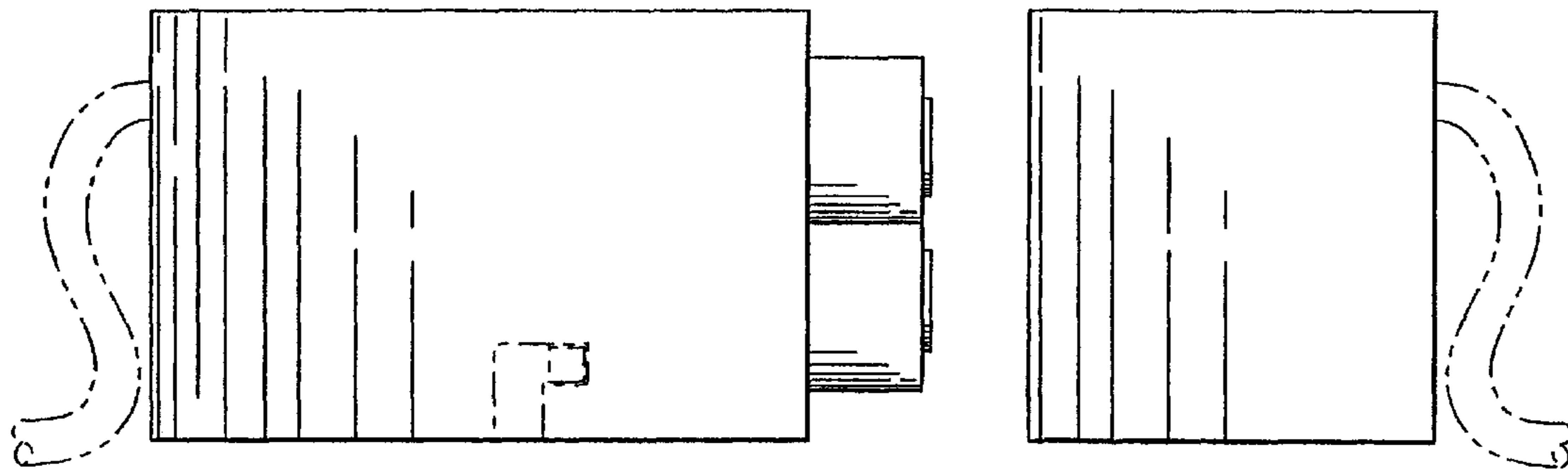


FIG - 5

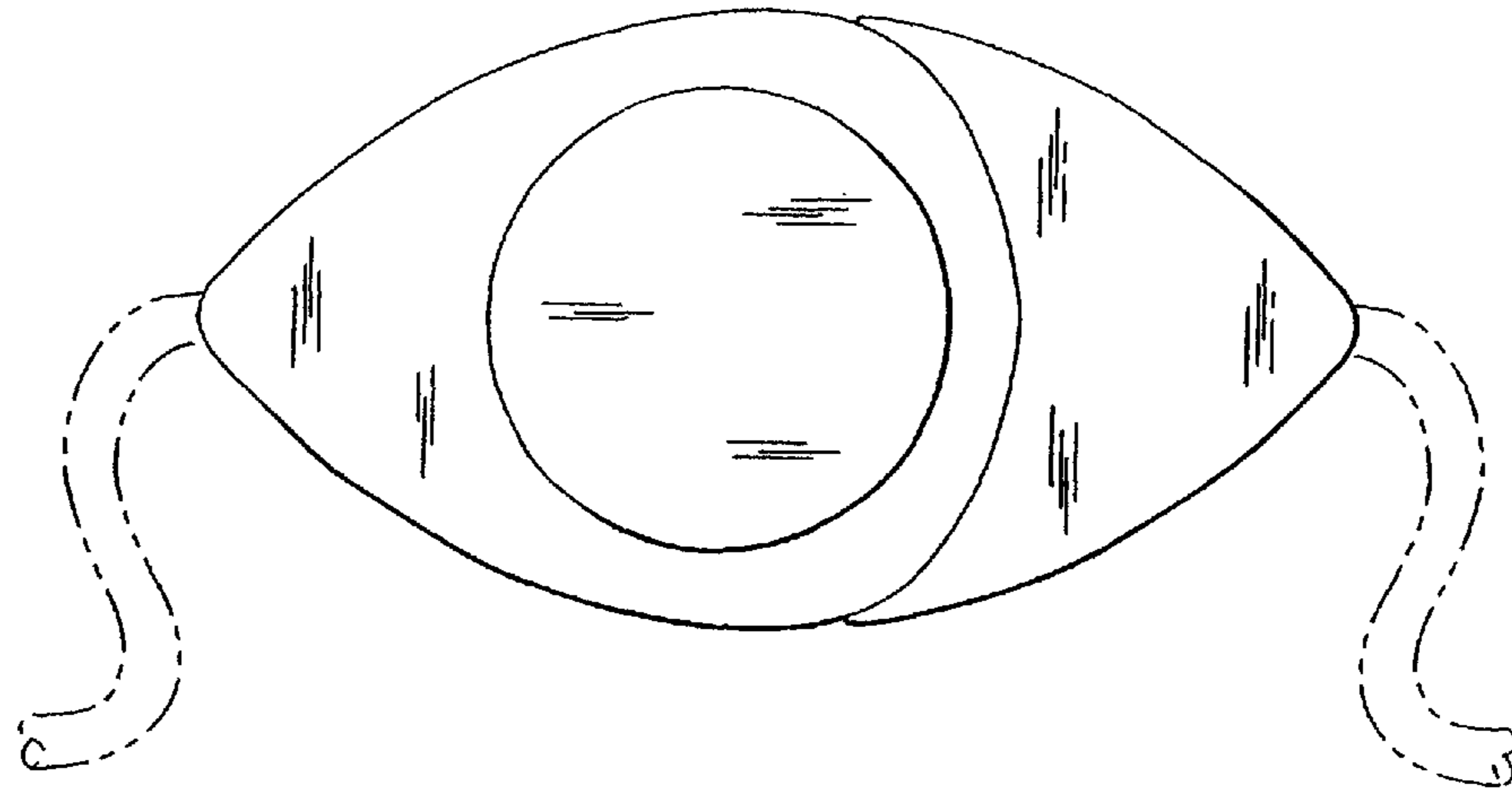


FIG - 6

