

US00D500458S

(12) **United States Design Patent**
Weiser

(10) **Patent No.:** **US D500,458 S**
(45) **Date of Patent:** **** Jan. 4, 2005**

- (54) **BUTTERFLY NOVELTY**
- (75) **Inventor:** **Margaret Weiser, Tarzana, CA (US)**
- (73) **Assignee:** **Exhart Environmental Systems, Inc., Chatsworth, CA (US)**
- (**) **Term:** **14 Years**
- (21) **Appl. No.:** **29/189,747**
- (22) **Filed:** **Sep. 9, 2003**
- (51) **LOC (7) Cl.** **11-02**
- (52) **U.S. Cl.** **D11/162; D21/650**
- (58) **Field of Search** **D21/455, 458, D21/576-661; D11/205, 211, 217, 219, 224, 233, 239, 31, 47, 49, 57, 82, 100, 117, 121, 127, 131, 141, 157, 158, 162; D20/30; D10/54, 59; 428/12, 15, 16, 542.2, 542.4, 542.6; 446/34-68, 87, 89, 102, 119, 169, 176, 199, 201, 217, 218, 236, 238, 268-385, 390, 391, 486, 487, 490; 70/170.01, 170.05; 40/411-413, 417-420**

(56) **References Cited**

U.S. PATENT DOCUMENTS

510,308 A	*	12/1893	Adam	446/234
1,263,838 A	*	4/1918	Barber	446/199
1,377,544 A	*	5/1921	Angell	446/243
1,538,562 A		5/1925	Koshalko		
1,910,923 A		5/1933	Kerr		
2,061,189 A	*	11/1936	Dungan	73/170.07
D176,972 S	*	2/1956	Bennett	D10/54
D241,461 S	*	9/1976	Lambert	D21/592
D257,364 S	*	10/1980	Molenaar	D21/458
4,582,497 A		4/1986	Lyons	446/217
D303,685 S	*	9/1989	Vafiadis	D21/650

5,469,738 A	*	11/1995	Hendrickson	73/170.07
5,934,294 A	*	8/1999	Chiang	132/275
5,971,828 A		10/1999	Lin	446/217
6,206,747 B1		3/2001	Skwarek	446/217
6,360,474 B1	*	3/2002	Wurlitzer	43/3
6,364,732 B1		4/2002	Wu	446/217
6,422,913 B1		7/2002	Trejo	446/217
D464,685 S	*	10/2002	Weiser et al.	D21/650
6,475,056 B1		11/2002	Christianson	446/201
D467,197 S	*	12/2002	Weiser et al.	D11/162
D484,199 S	*	12/2003	Weiser	D21/650

* cited by examiner

Primary Examiner—Stella Reid

Assistant Examiner—C. Tuttle

(74) *Attorney, Agent, or Firm*—Cislo & Thomas LLP

(57) **CLAIM**

The ornamental design for a butterfly novelty, as shown and described.

DESCRIPTION

FIG. 1. Is a left side elevational view of my butterfly novelty with the right side elevational view being a mirror image thereof and with the dotted lines showing being for illustrative purposes only and to which no claim is made;

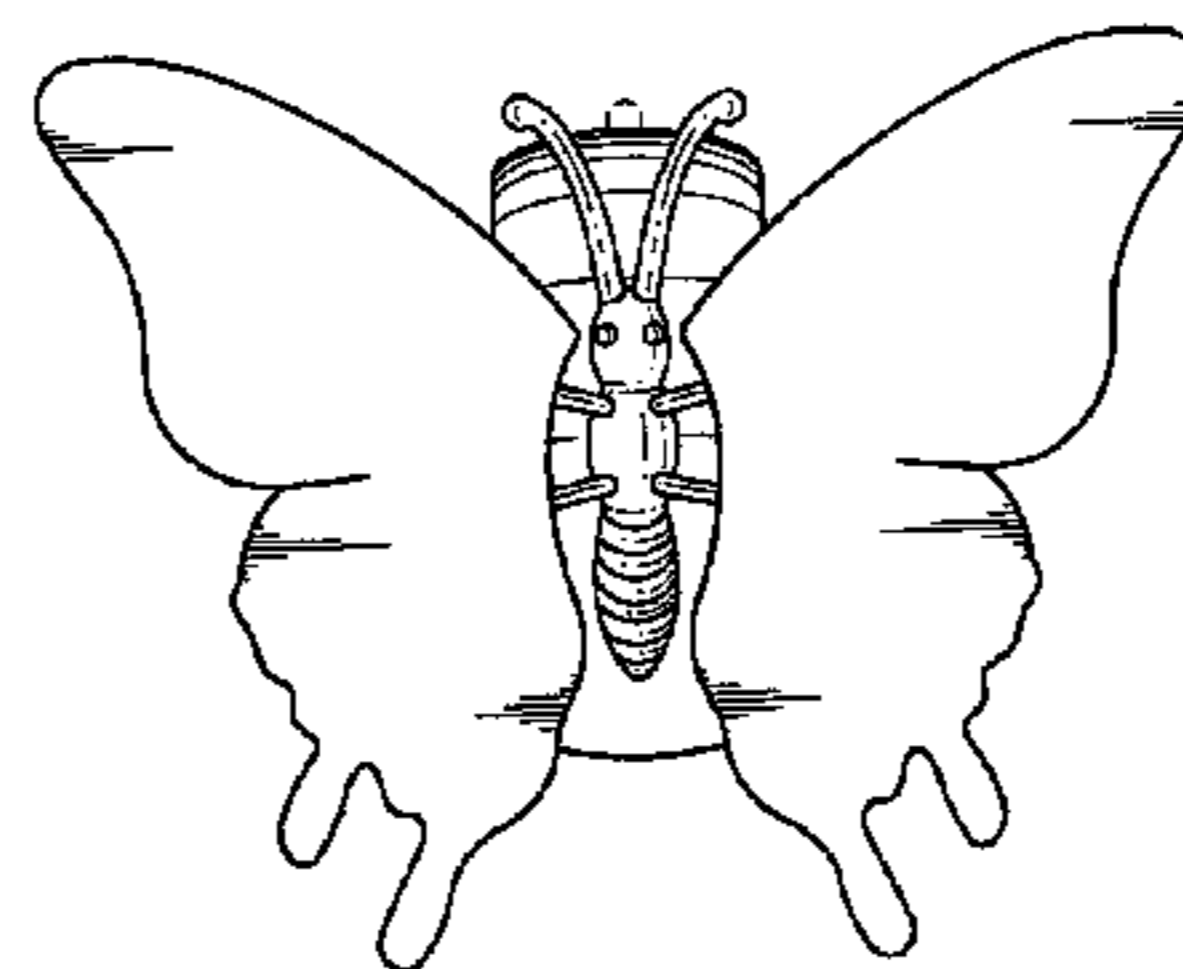
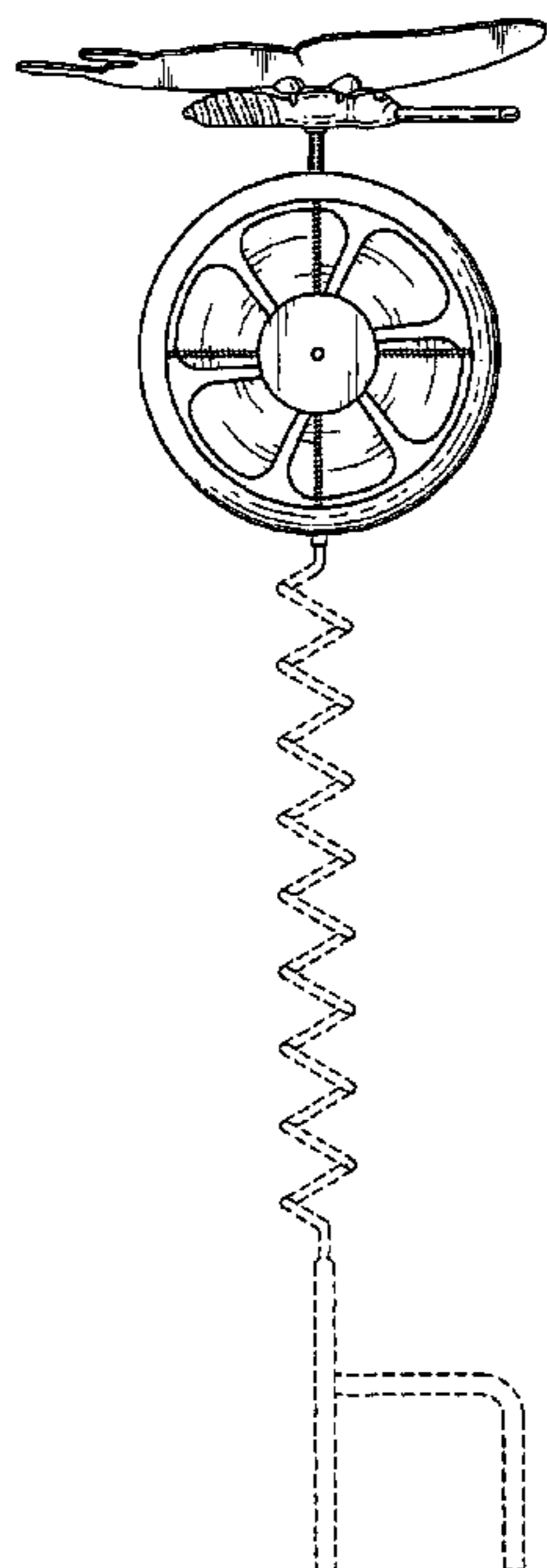
FIG. 2. Is a front elevational view thereof with the dotted lines showing being for illustrative purposes only and to which no claim is made;

FIG. 3. Is a rear view elevational thereof with the dotted lines showing being for illustrative purposes only and to which no claim is made;

FIG. 4. Is a top plan view thereof; and,

FIG. 5. Is a bottom plan view thereof with the dotted lines showing being for illustrative purposes only and to which no claim is made.

1 Claim, 3 Drawing Sheets



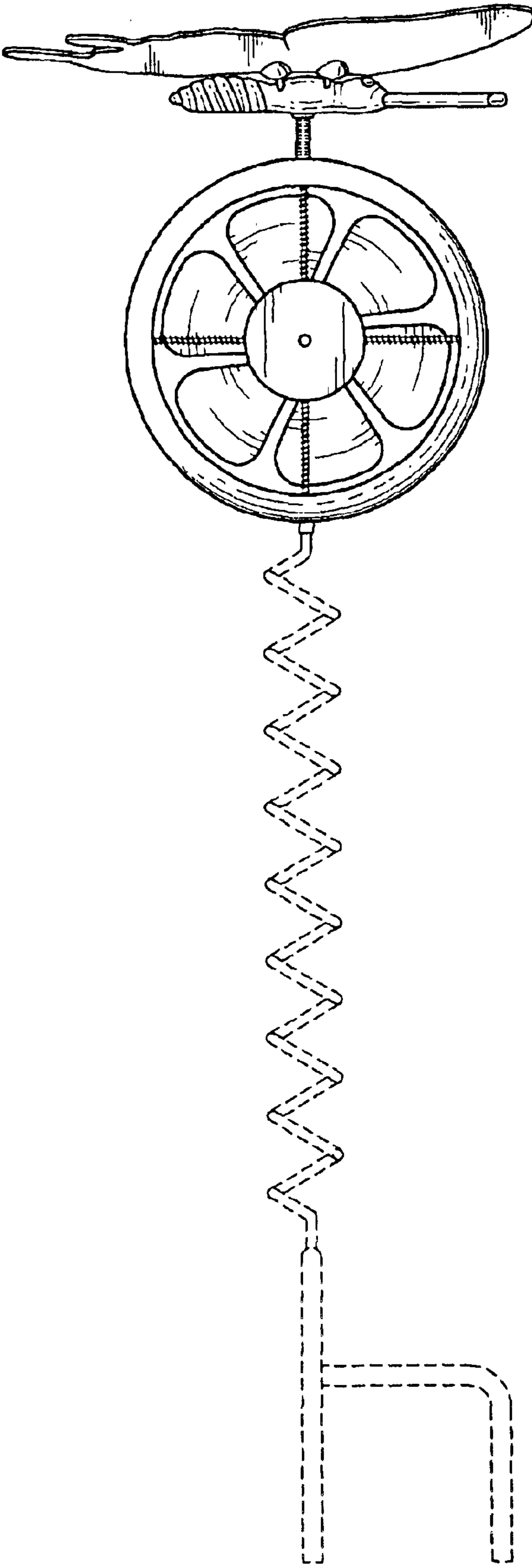


FIG. 1

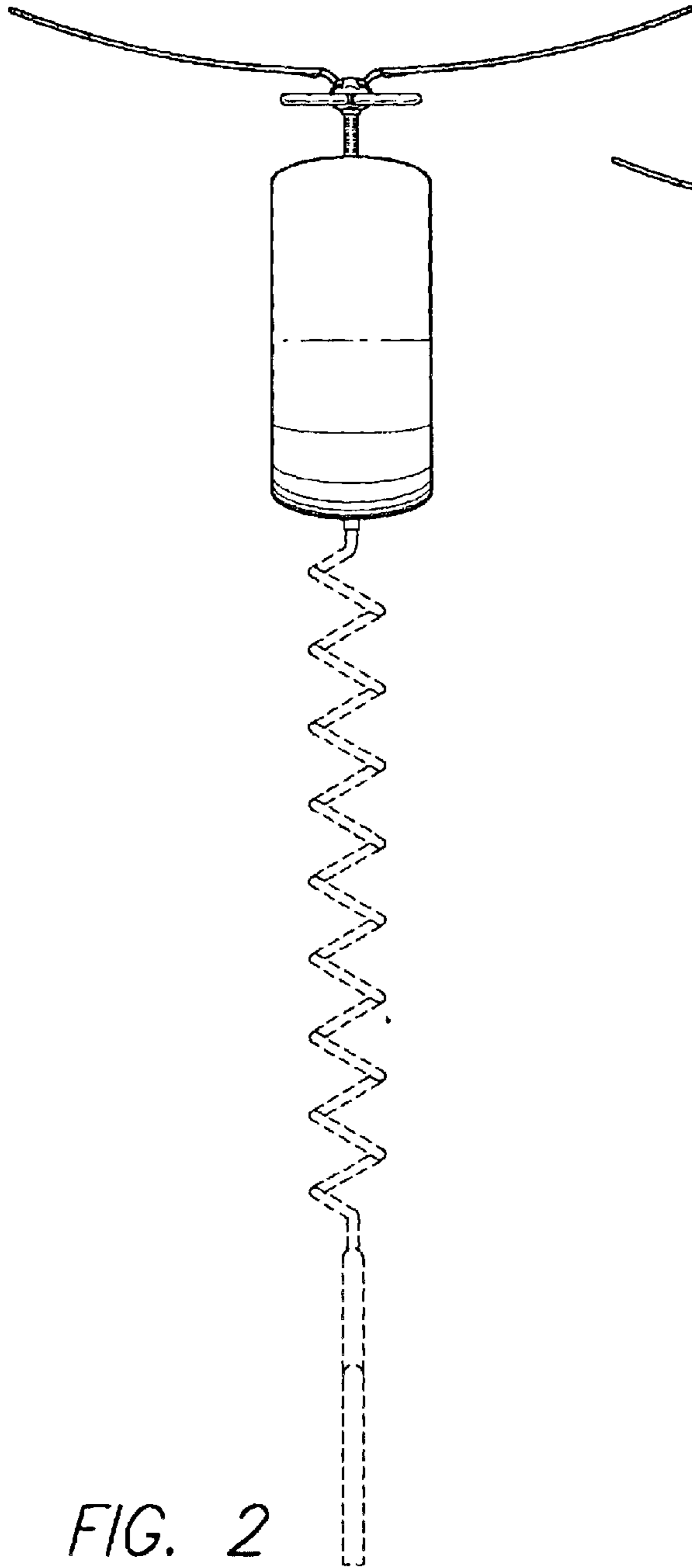


FIG. 2

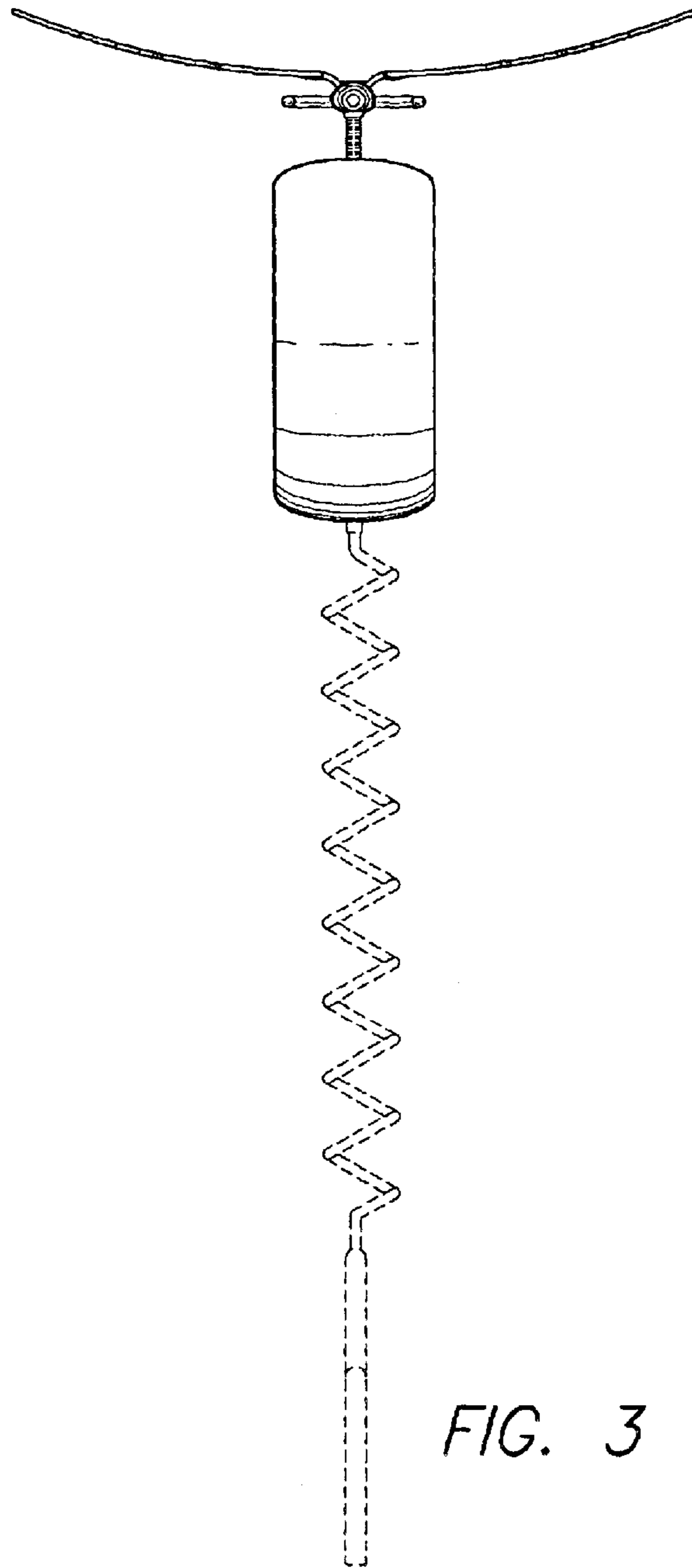


FIG. 3

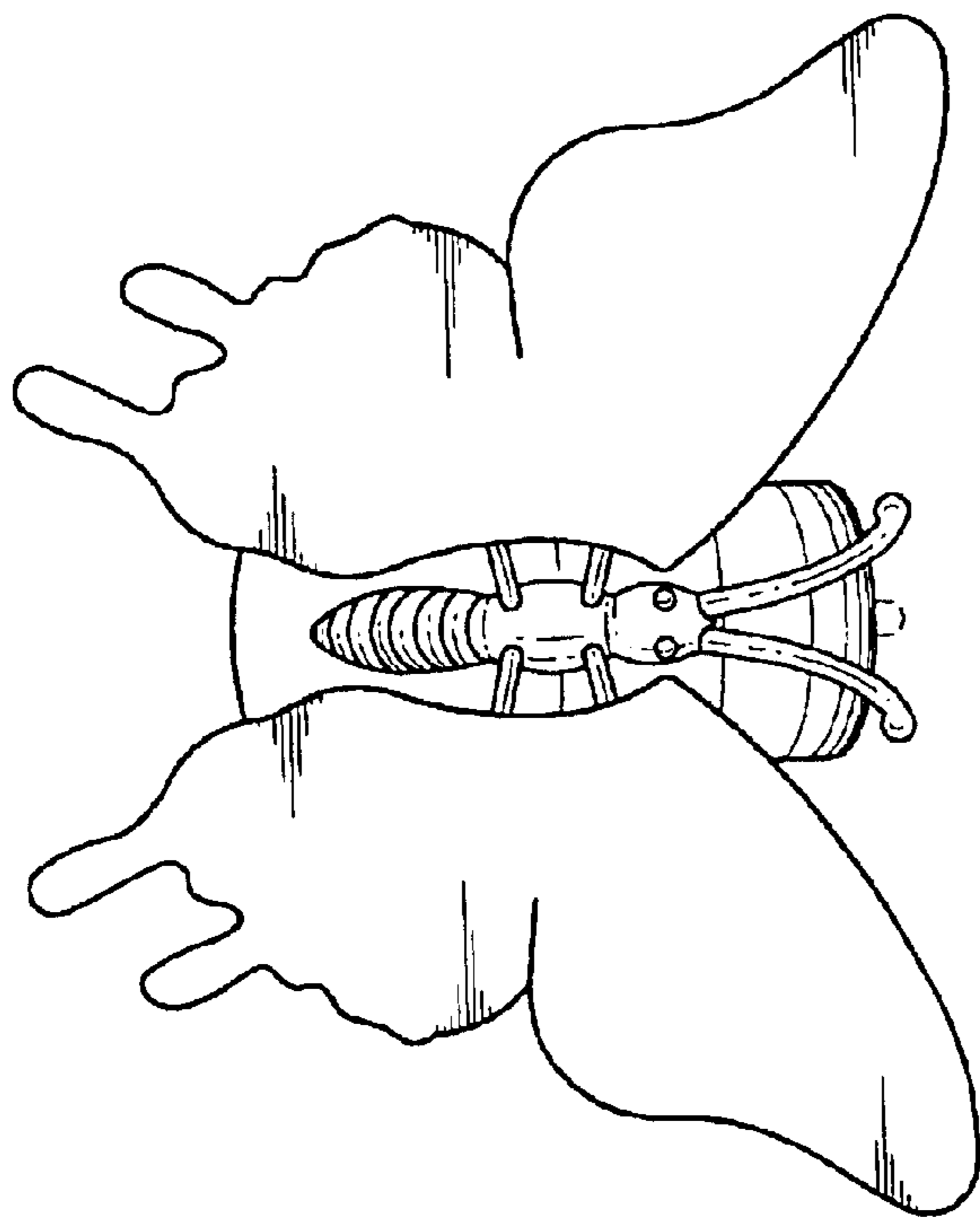


FIG. 4

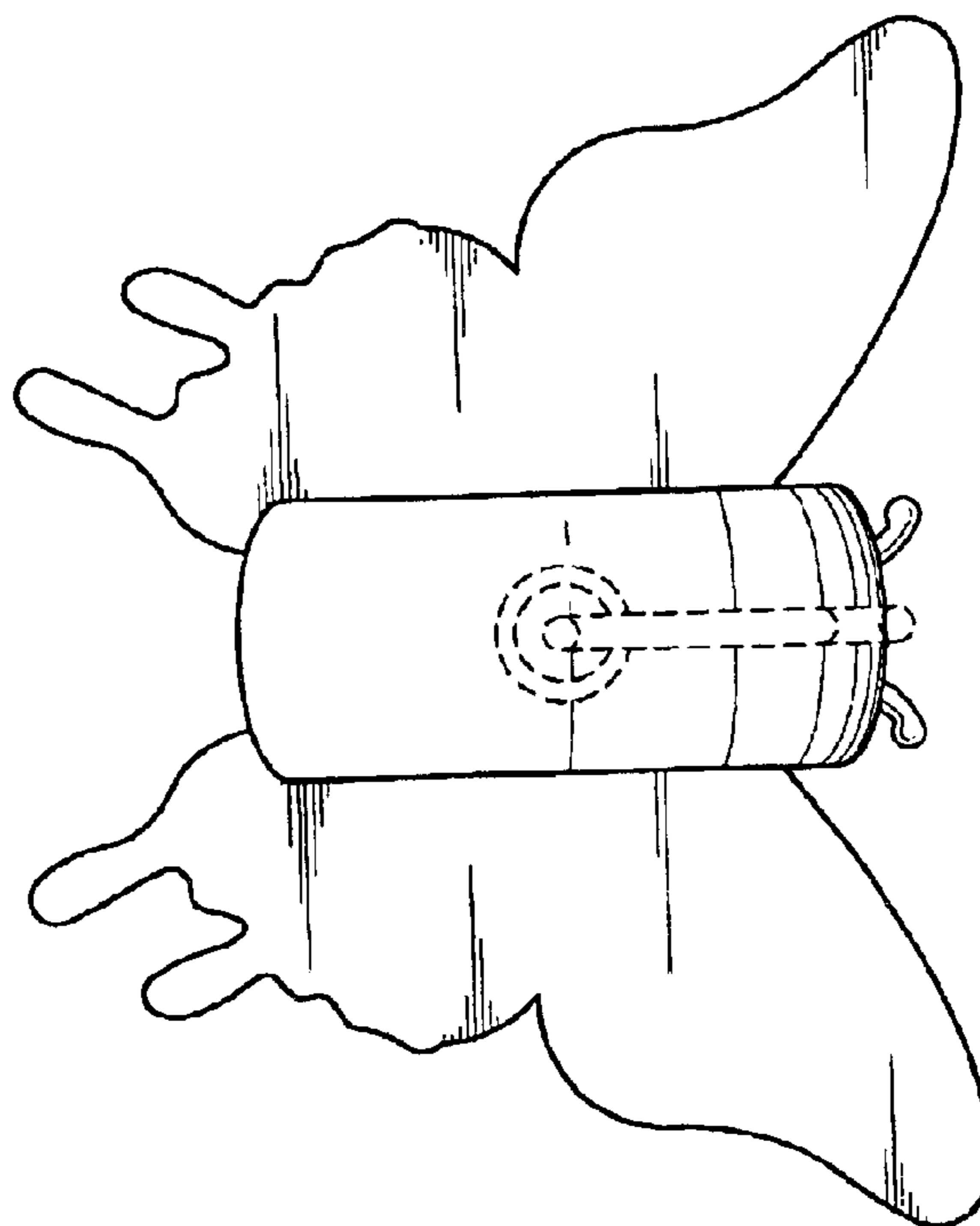


FIG. 5