



US00D500444S

(12) **United States Design Patent**  
**Drake et al.**

(10) **Patent No.: US D500,444 S**  
(45) **Date of Patent: \*\* Jan. 4, 2005**

(54) **BOTTLE**

(75) Inventors: **Paul Drake**, Harpenden (GB); **David Helps**, London (GB); **Timothy Hope Jebb**, Tunbridge Wells (GB); **Heleen Mees**, Soest (NL); **Britta Luebbert**, Rotterdam (NL); **Fred Verhaar**, Brielle (NL)

(73) Assignee: **Unilever Bestfoods, North America, a division of Conopco, Inc.**, Englewood Cliffs, NJ (US)

(\*\*) Term: **14 Years**

(21) Appl. No.: **29/169,586**

(22) Filed: **Oct. 23, 2002**

(30) **Foreign Application Priority Data**

Apr. 24, 2002 (GB) ..... 3003130

(51) **LOC (7) Cl.** ..... **09-01**

(52) **U.S. Cl.** ..... **D9/503**

(58) **Field of Search** ..... D9/500, 503, 504, D9/505, 516, 530, 537-539, 545, 549, 558, 300; 215/382-384, 396, 398, 400; 220/660, 666, 669; D7/598

(56) **References Cited**

**U.S. PATENT DOCUMENTS**

D12,943 S \* 5/1882 Sanborn ..... D9/500  
D214,831 S \* 8/1969 Lamont ..... D9/542 X  
D220,030 S \* 3/1971 Plummer ..... D9/500  
3,913,771 A \* 10/1975 Acton et al. .... 215/256  
D247,471 S \* 3/1978 Strand ..... D9/500

D259,172 S \* 5/1981 Ross ..... D9/538  
D269,499 S \* 6/1983 Rafart ..... D9/500  
D285,533 S \* 9/1986 Berish et al. .... D9/503  
D386,085 S \* 11/1997 Green ..... D9/503  
D422,208 S \* 4/2000 Brose ..... D9/307  
D428,576 S \* 7/2000 Walker ..... D9/537  
D431,468 S \* 10/2000 Potts ..... D9/500  
D481,949 S \* 11/2003 Pinnavaia ..... D9/500

\* cited by examiner

*Primary Examiner*—Carol Rademaker

(74) *Attorney, Agent, or Firm*—Gerard J. McGowan, Jr.

(57) **CLAIM**

The ornamental design for a bottle, substantially as shown and described.

**DESCRIPTION**

FIG. 1 is a front, top, and right side perspective view of the bottle of our new design;

FIG. 2 is a front elevational view thereof;

FIG. 3 is a rear elevational view thereof;

FIG. 4 is a top plan view thereof;

FIG. 5 is a top plan view of the cap of shown separately and at an enlarged scale for clarity of illustration;

FIG. 6 is a right side elevational view of FIG. 1;

FIG. 7 is a left side elevational view thereof;

FIG. 8 is a front, top, and right side perspective view of the cap, shown separately and at an enlarged scale for clarity of illustration;

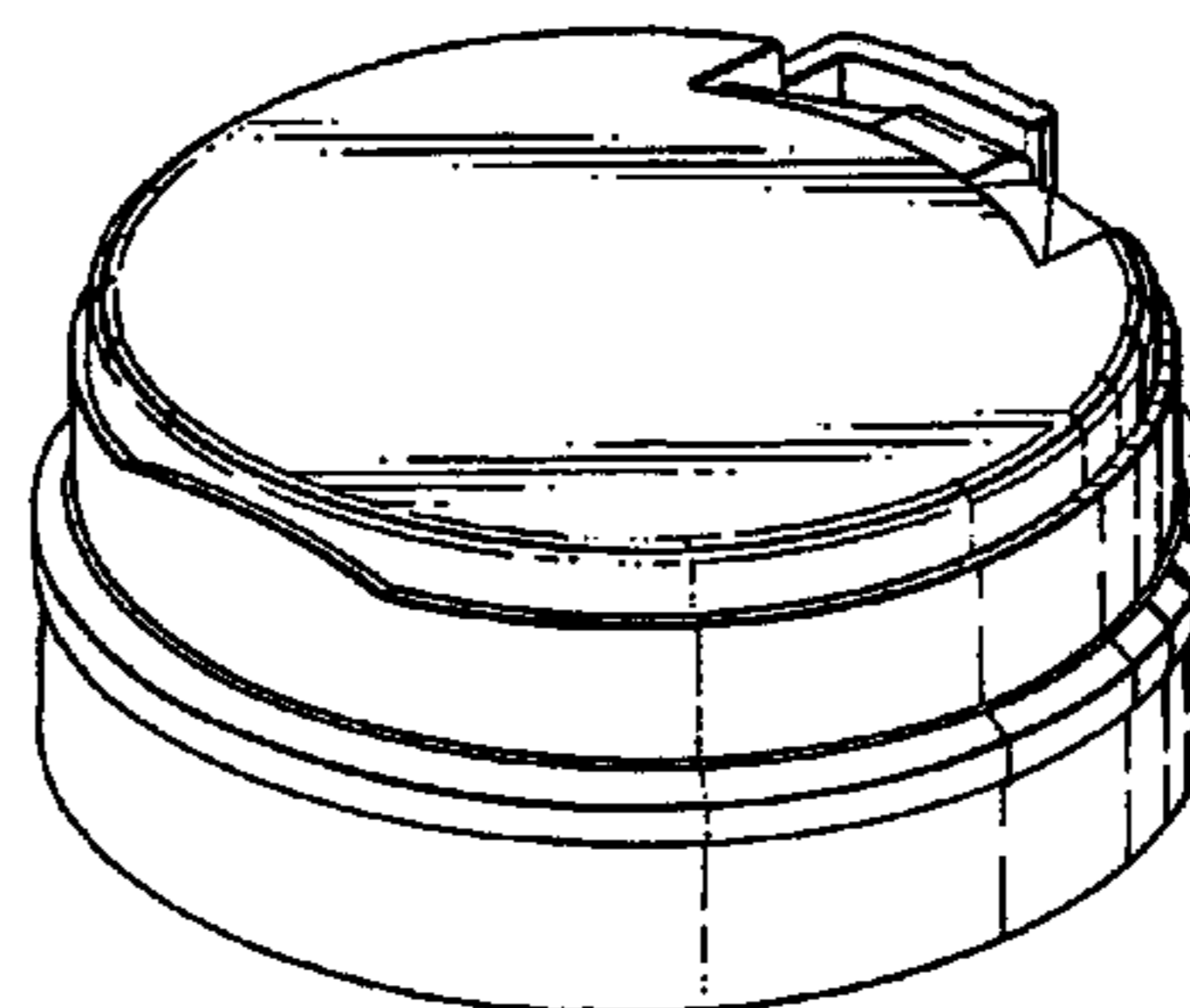
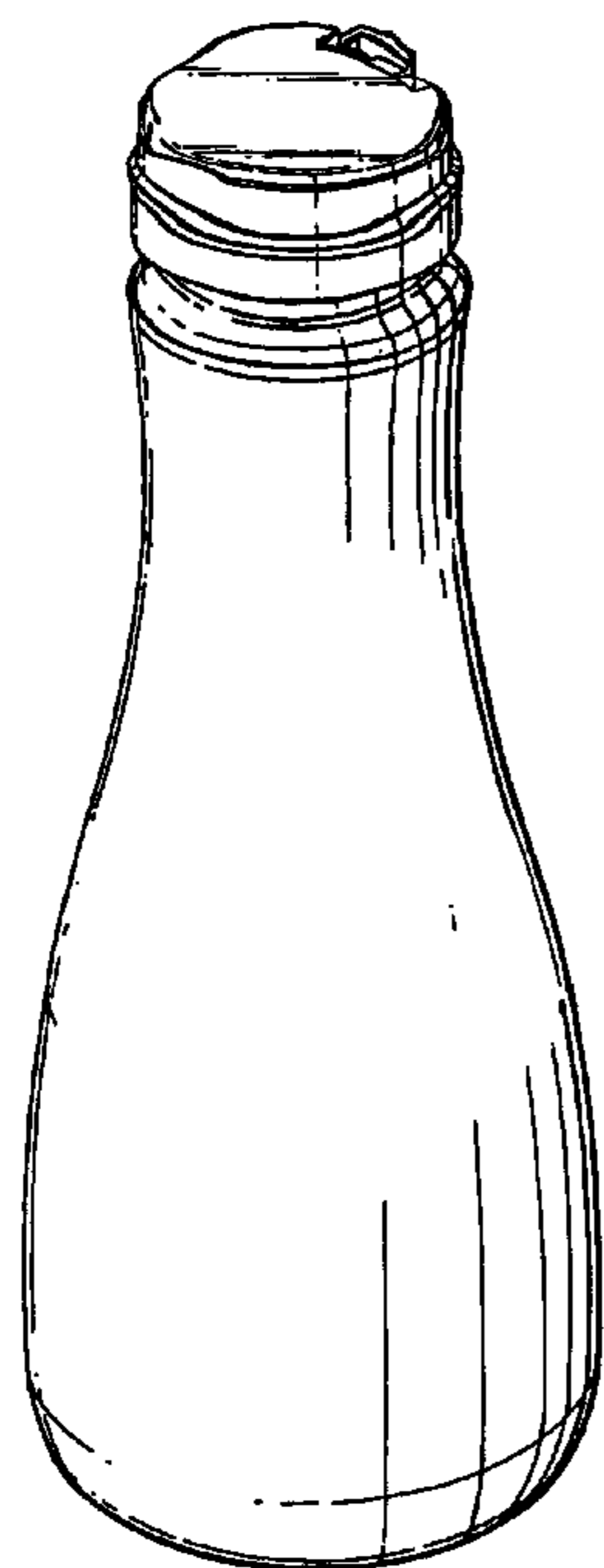
FIG. 9 is a front elevational view thereof;

FIG. 10 is a rear elevational view thereof;

FIG. 11 is a right side elevational view thereof; and,

FIG. 12 is a left side elevational view thereof.

**1 Claim, 6 Drawing Sheets**



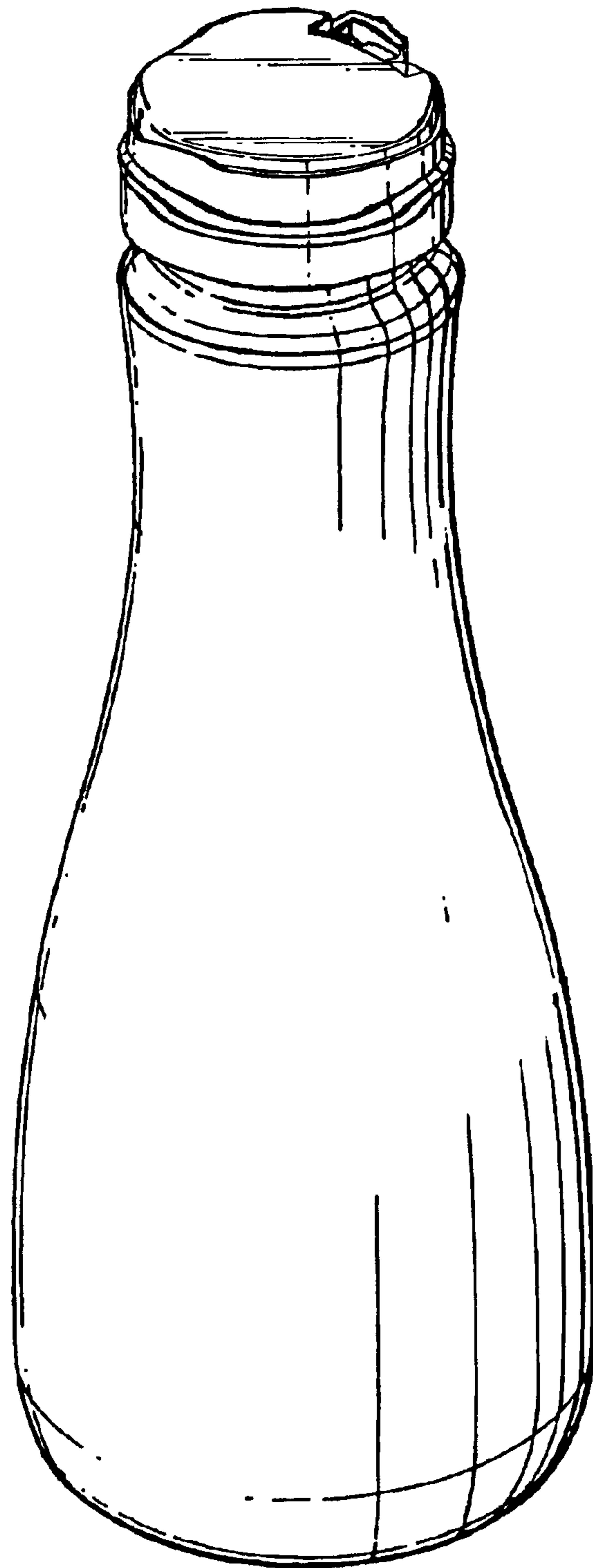


Fig. 1.

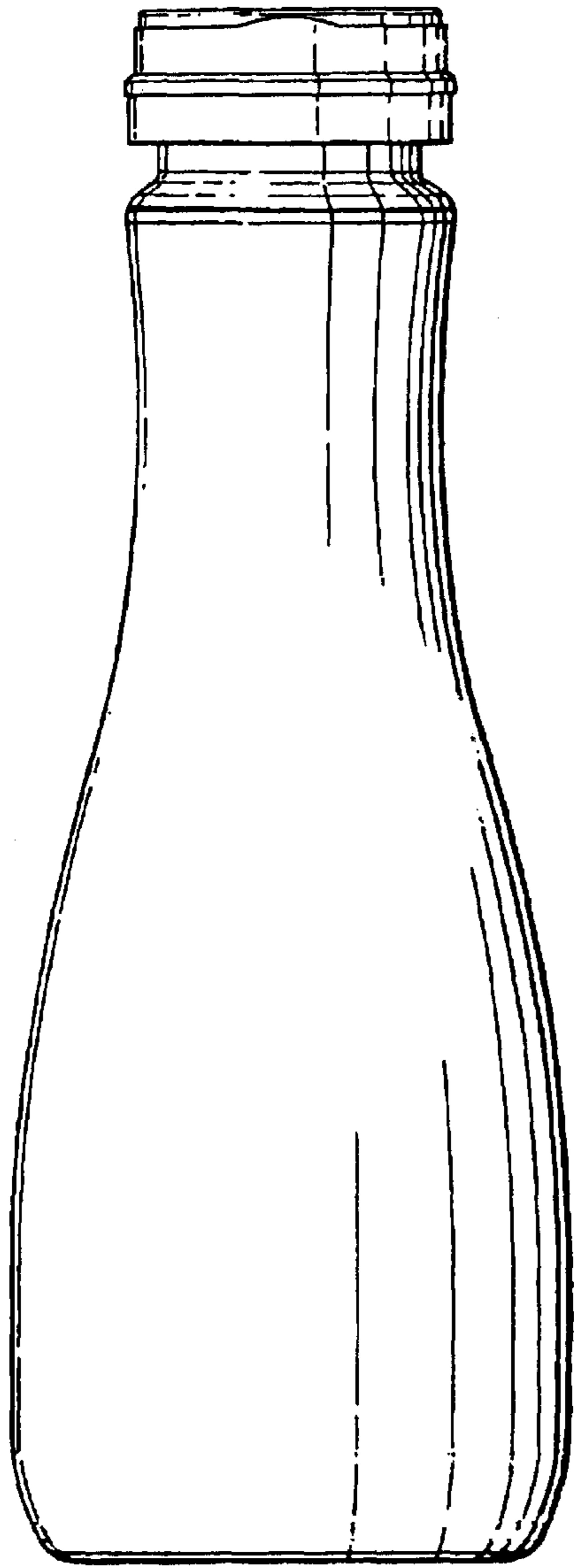


Fig. 2.



Fig. 3.

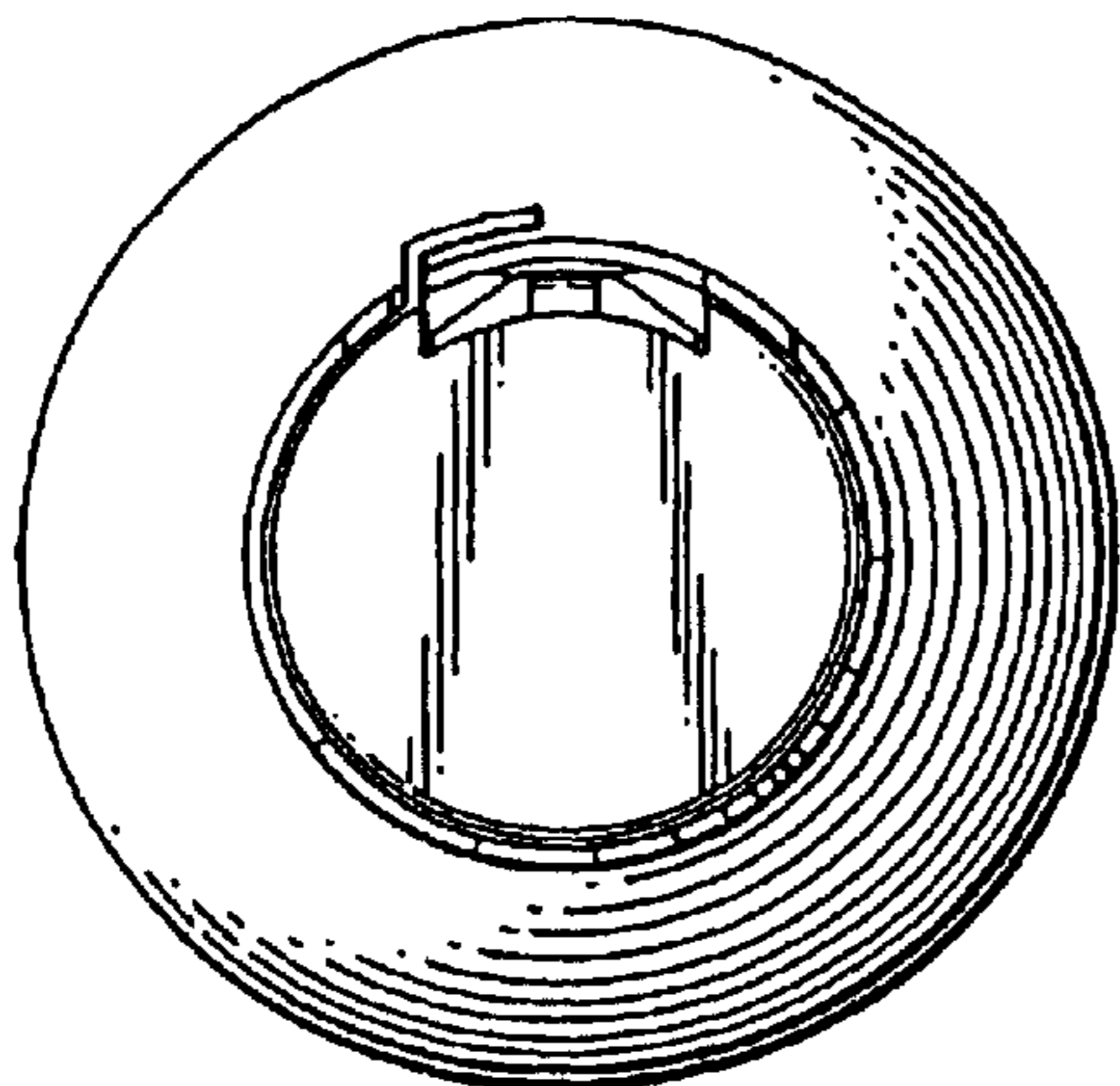


Fig. 4.

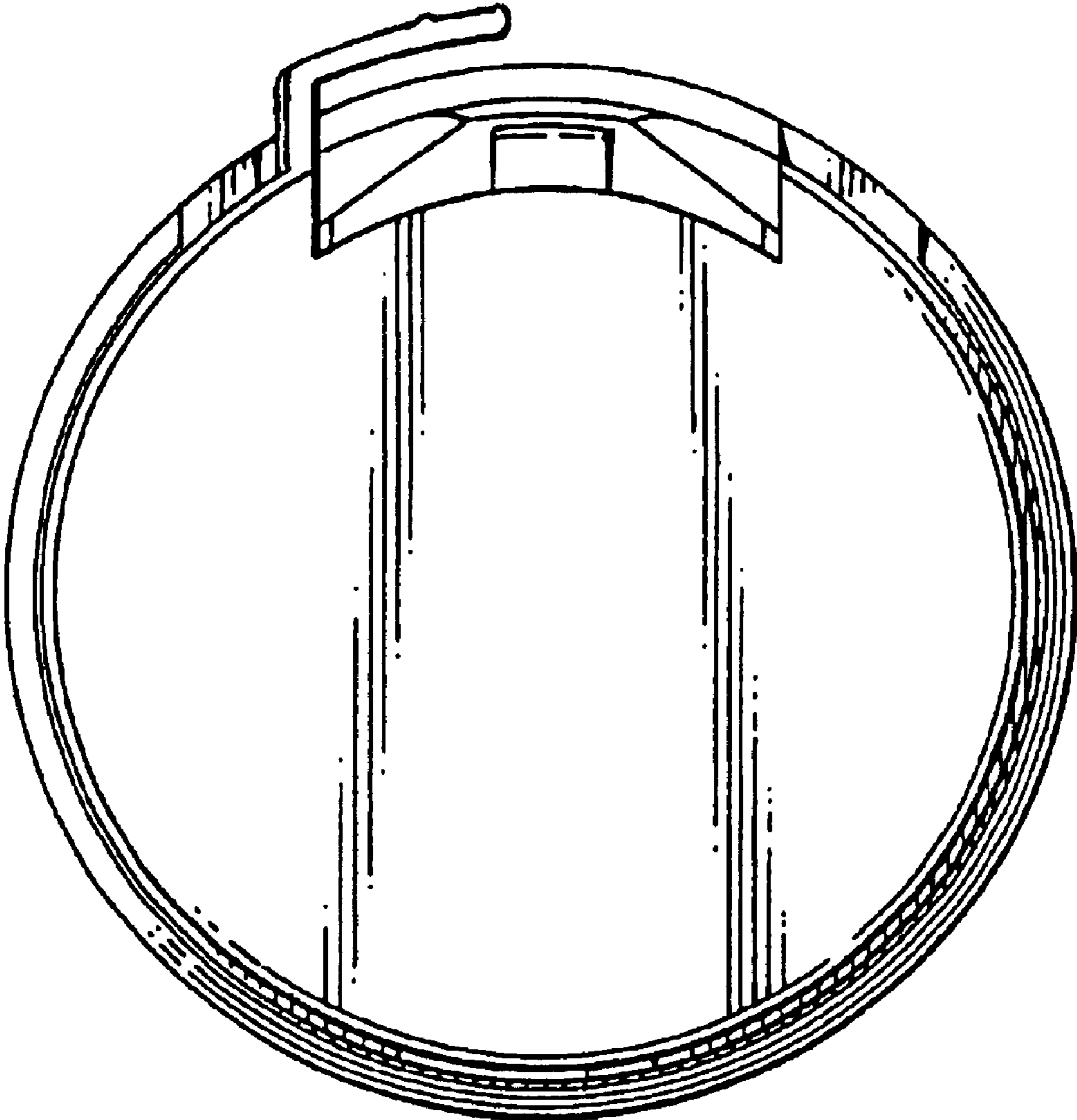


Fig.5.

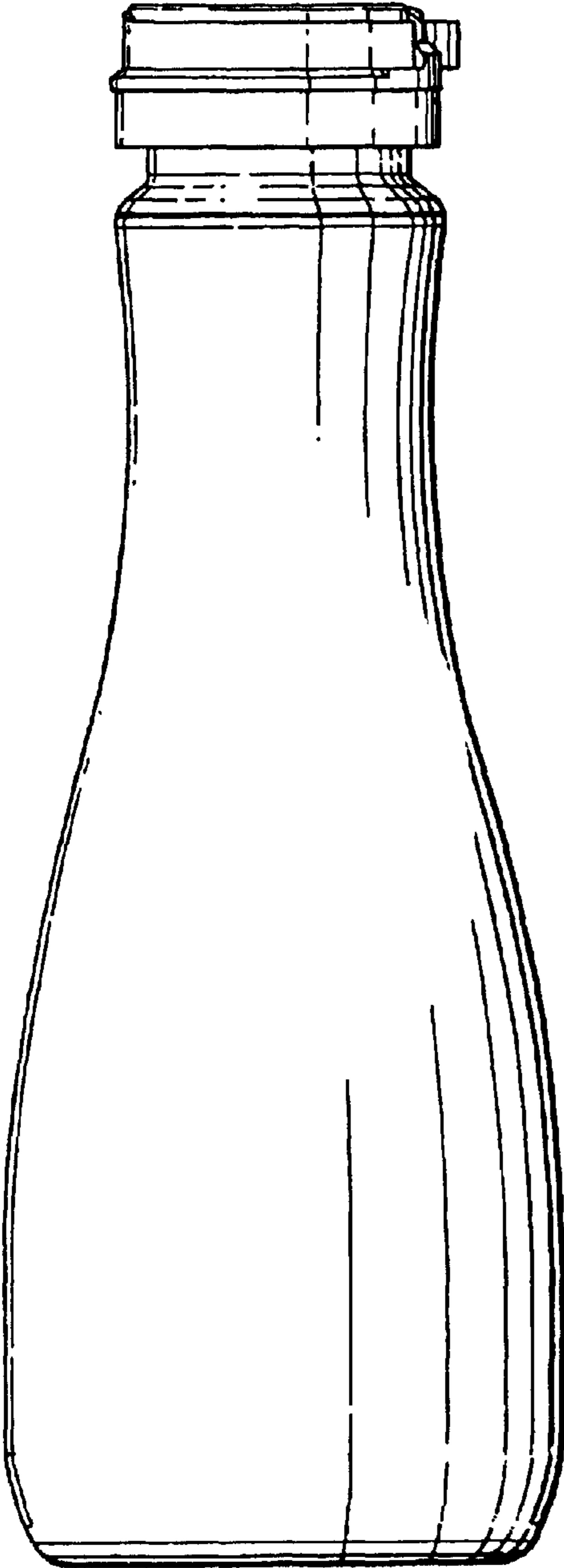


Fig.6.



Fig.7.

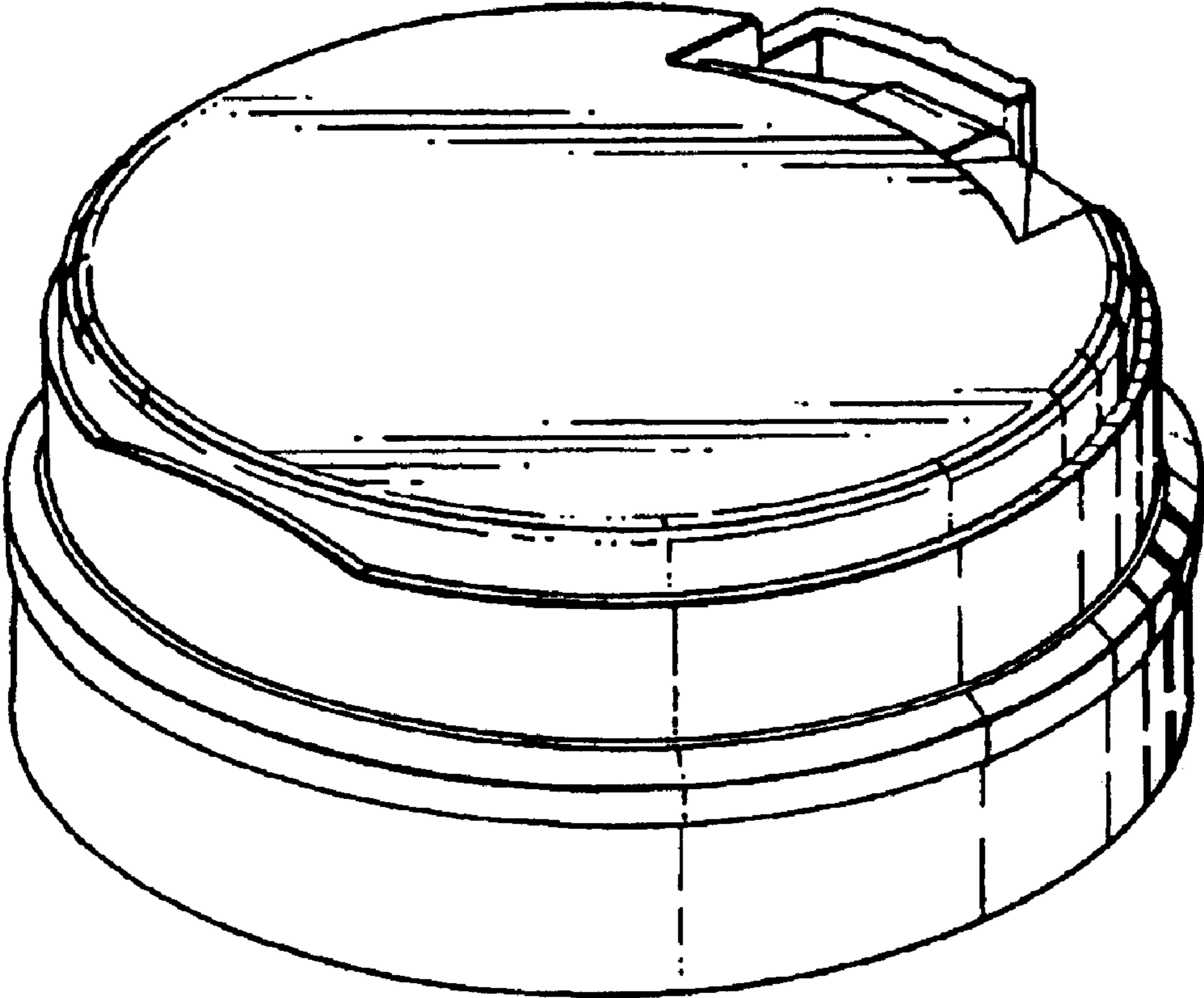


Fig.8.

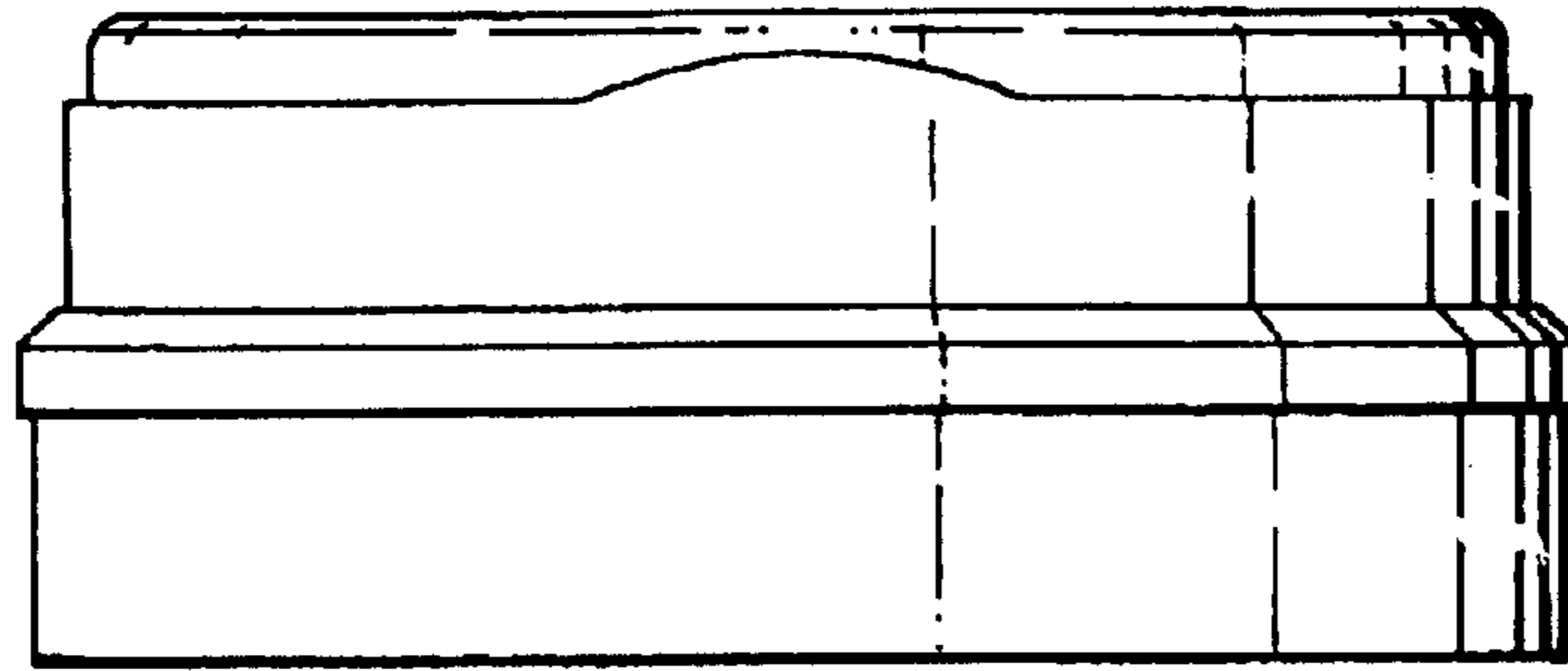


Fig.9.

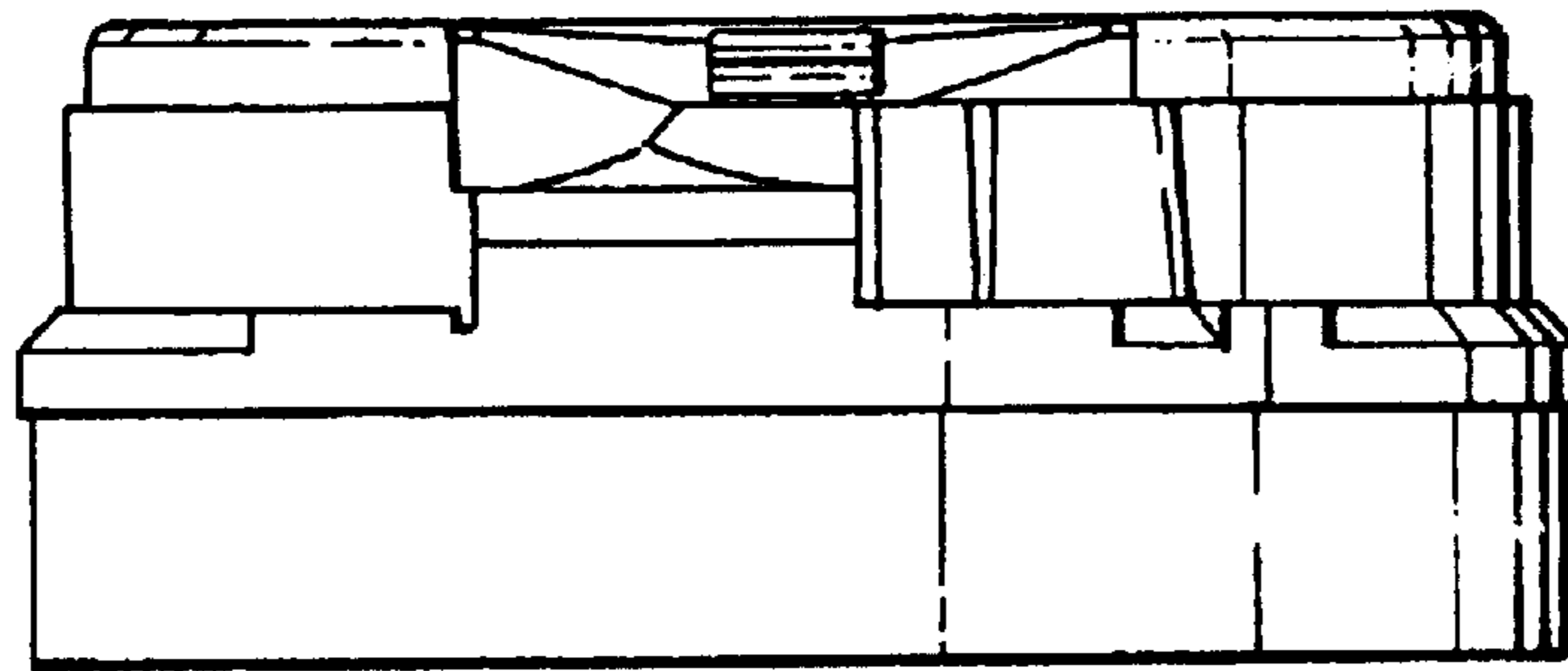


Fig.10.

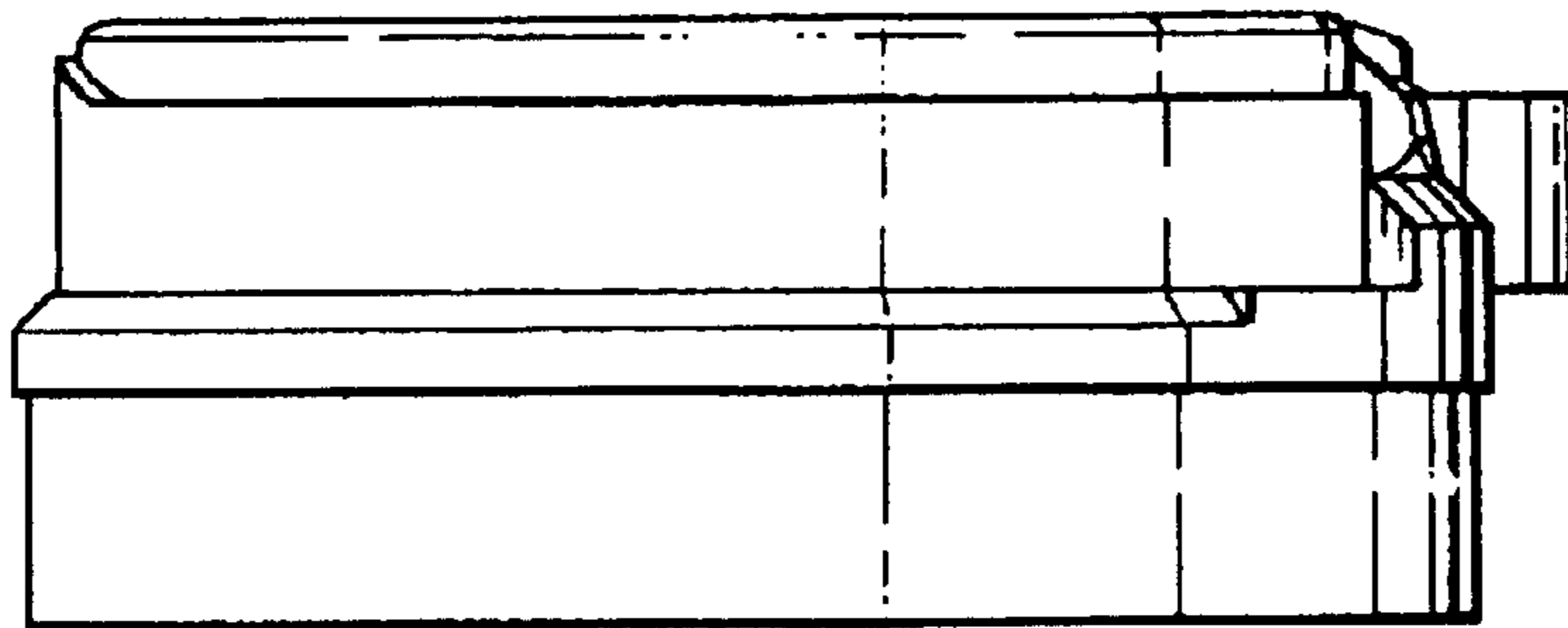


Fig.11.

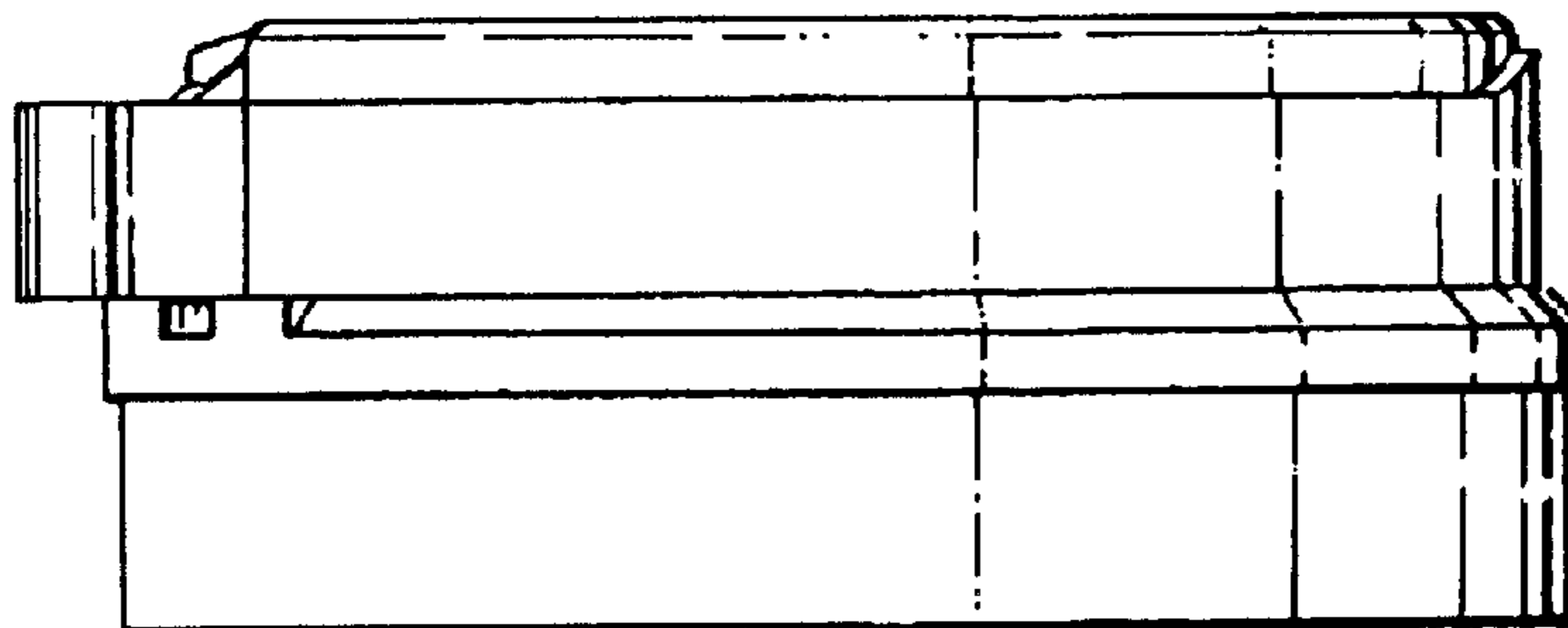


Fig.12.