



US00D500441S

(12) **United States Design Patent**
Senn

(10) **Patent No.: US D500,441 S**
(45) **Date of Patent: ** Jan. 4, 2005**

(54) **HINGE BUTT**

(75) **Inventor: Brian A. Senn, South Milwaukee, WI (US)**

(73) **Assignee: Powerbrace Corporation, Kenosha, WI (US)**

(**) **Term: 14 Years**

(21) **Appl. No.: 29/193,191**

(22) **Filed: Nov. 6, 2003**

(51) **LOC (7) Cl. 08-06**

(52) **U.S. Cl. D8/323**

(58) **Field of Search** D8/323, 324, 325, D8/326, 327, 328, 329, 349, 354, 356; 16/234-237, 239, 241, 245-246, 249, 254, 261-262, 265, 272, 277, 307, 319, 335, 339, 342, 379, 382, 383, 384, 385, 386, 387, 388, 389, 221, DIG. 13, DIG. 40, DIG. 43; 4/236, 237, 238, 239, 240; D23/303; 248/200, 221.11, 300, 309.1, 317

(56) **References Cited**

U.S. PATENT DOCUMENTS

574,636 A * 1/1897 Slack 16/262
1,002,391 A * 9/1911 Gruendler 16/335
D139,227 S * 10/1944 Greiling D8/323
3,061,870 A * 11/1962 Giannini, Sr. 16/261

4,347,645 A * 9/1982 Iseki 16/249
4,407,044 A * 10/1983 Iseki 16/237
4,680,816 A * 7/1987 Colombani 4/236
5,491,873 A * 2/1996 Ferguson 16/235
D395,592 S * 6/1998 Clavel et al. D8/354
5,842,735 A * 12/1998 Makino et al. 16/221
D426,453 S * 6/2000 Stearns et al. D8/354
6,484,363 B1 * 11/2002 Chung 16/235
6,671,928 B2 * 1/2004 Huang 16/385

* cited by examiner

Primary Examiner—Caron D. Veynar
Assistant Examiner—T. Chase Nelson
(74) *Attorney, Agent, or Firm*—J. W. Harbst

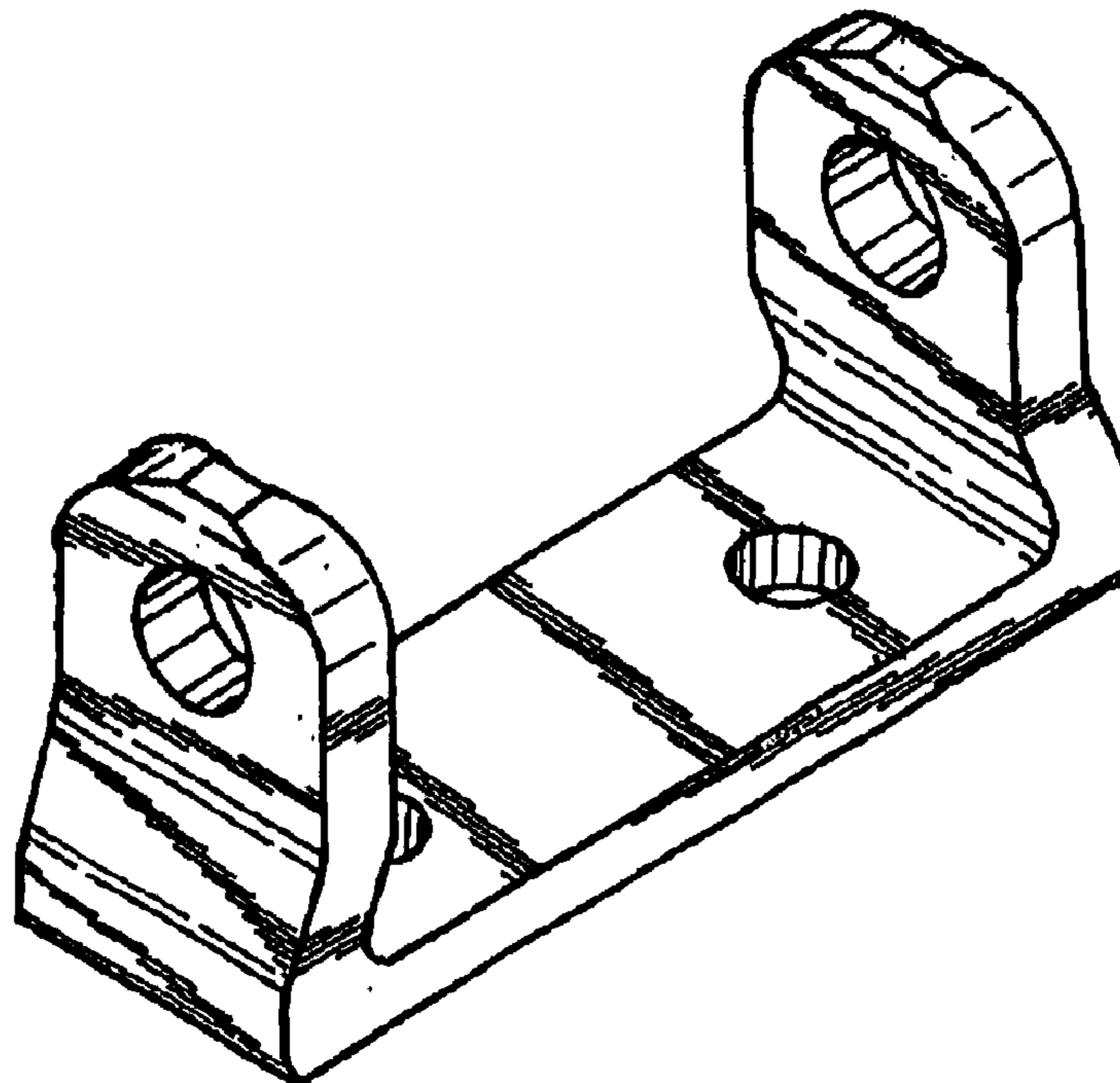
(57) **CLAIM**

The ornamental design for a hinge butt, as shown and described.

DESCRIPTION

FIG. 1 is a front, right side perspective view of a hinge butt showing my new design;
FIG. 2 is a front side elevational view thereof;
FIG. 3 is a rear side elevational view thereof;
FIG. 4 is a right end elevational view thereof;
FIG. 5 is a left end elevational view thereof;
FIG. 6 is a top plan view thereof; and,
FIG. 7 is a bottom plan view thereof.

1 Claim, 2 Drawing Sheets



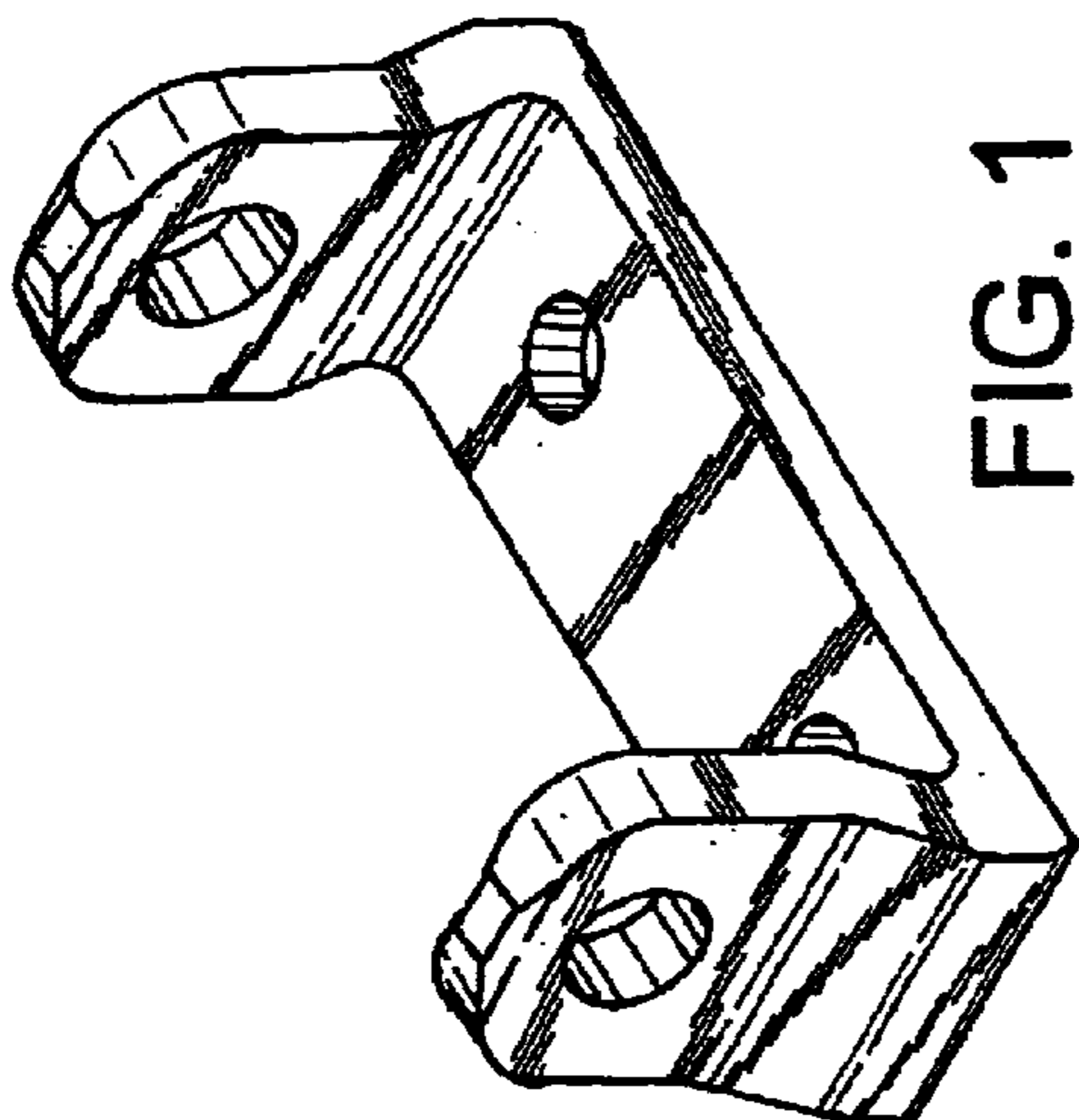


FIG. 1

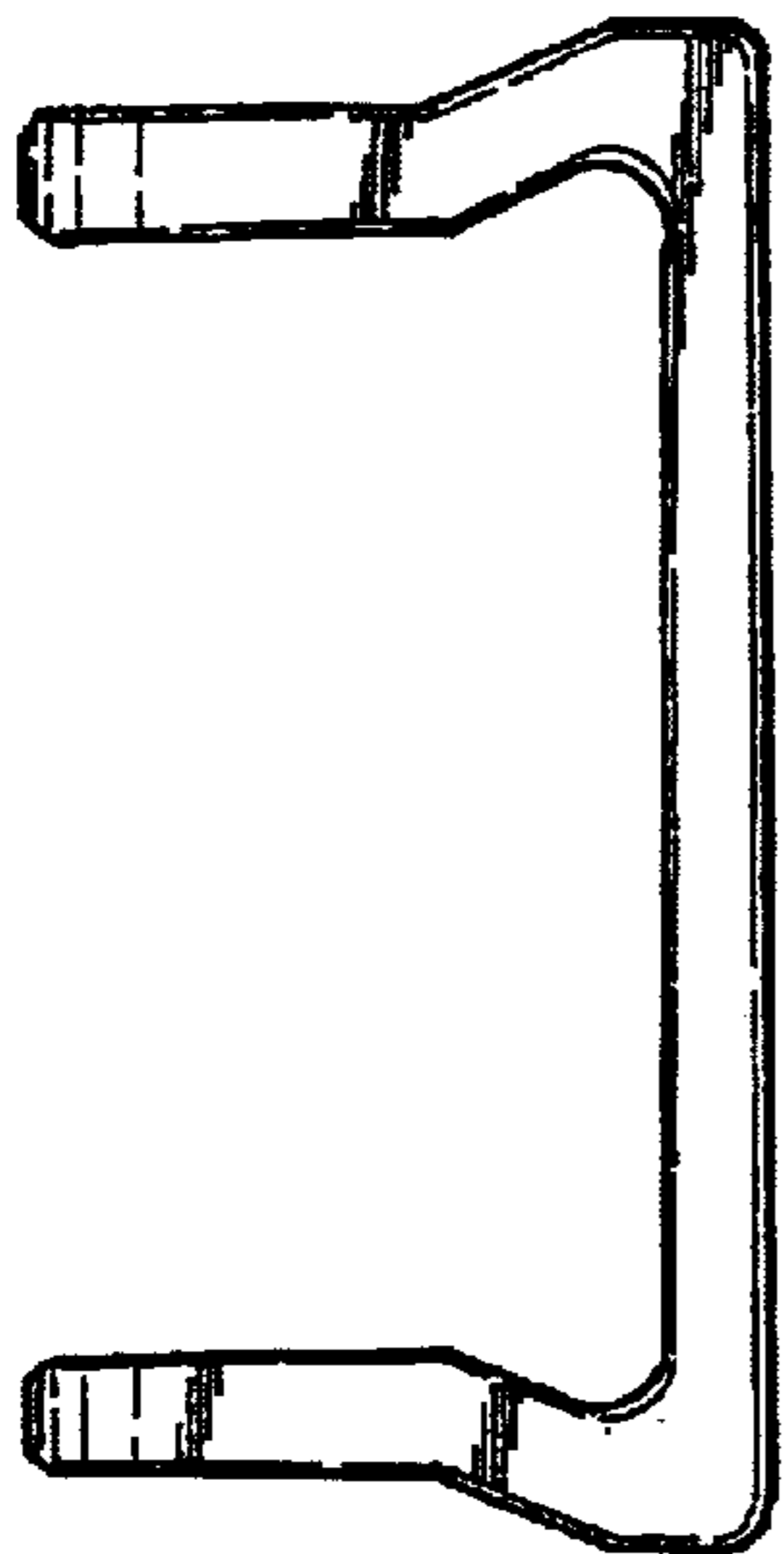


FIG. 2

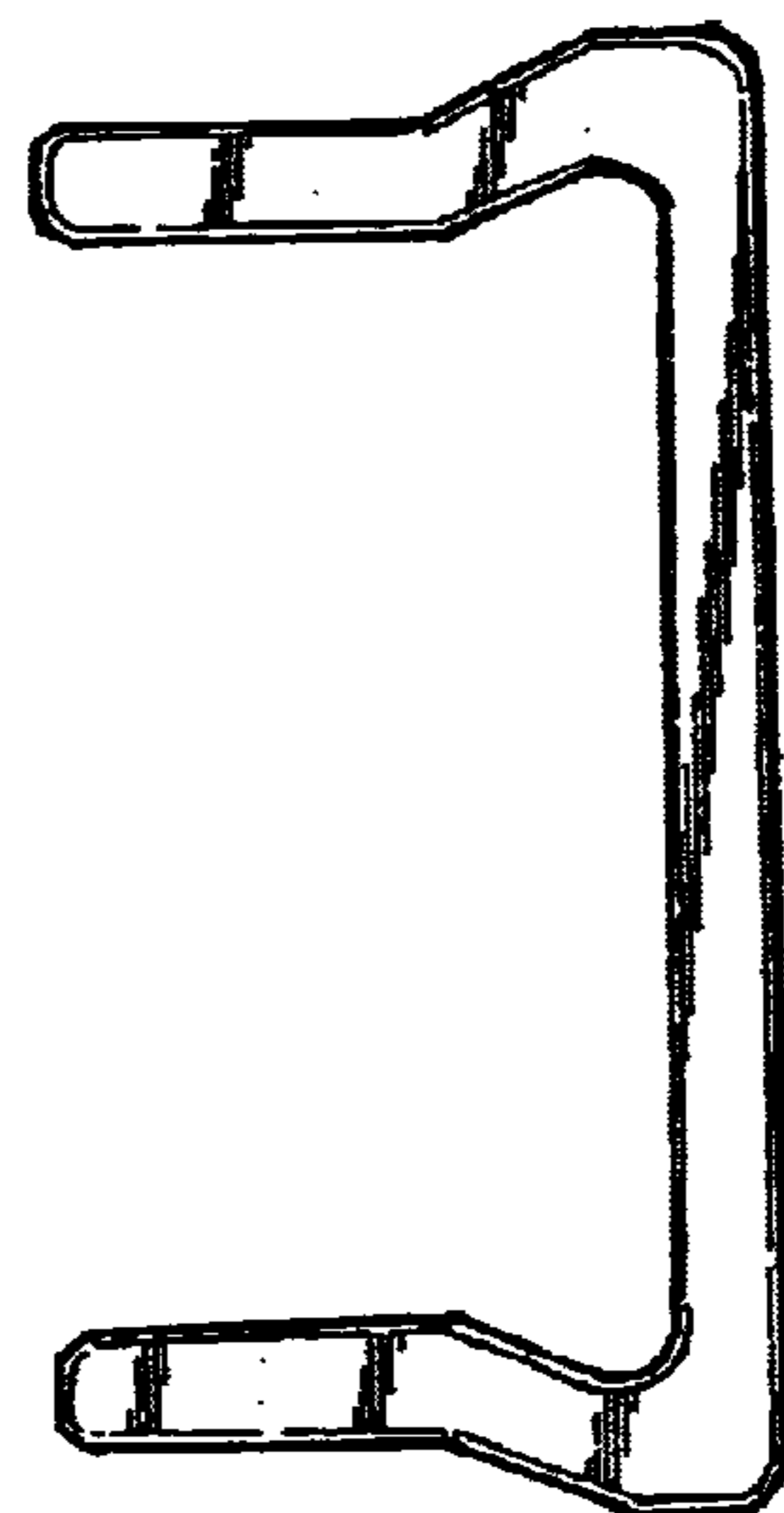


FIG. 3

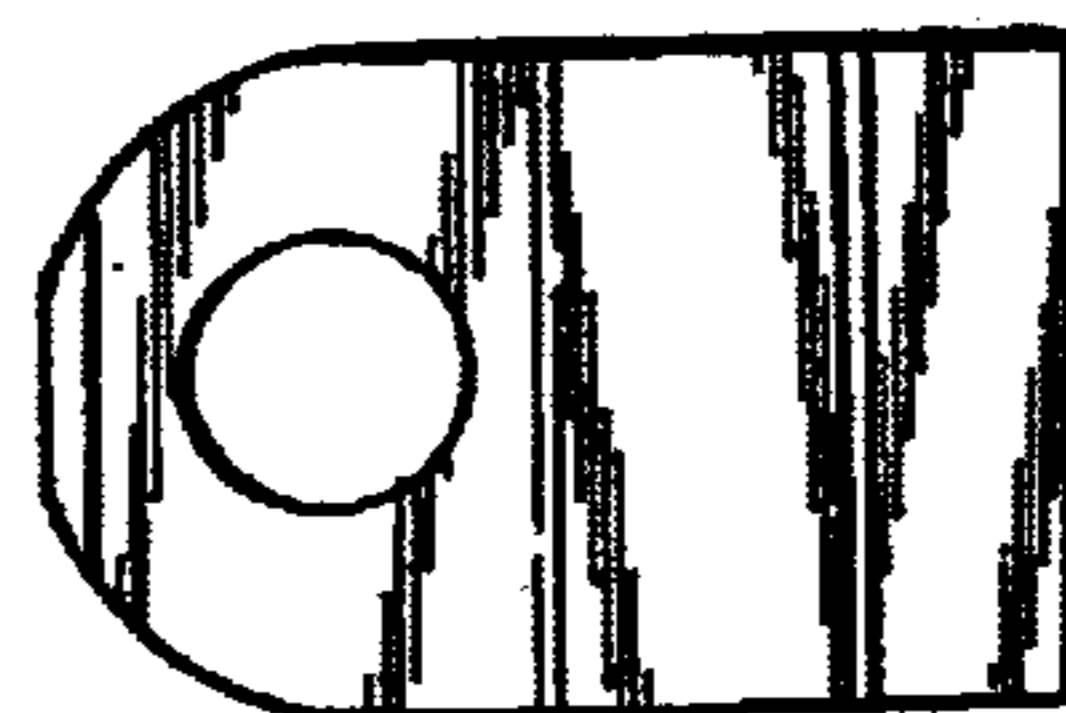


FIG. 4

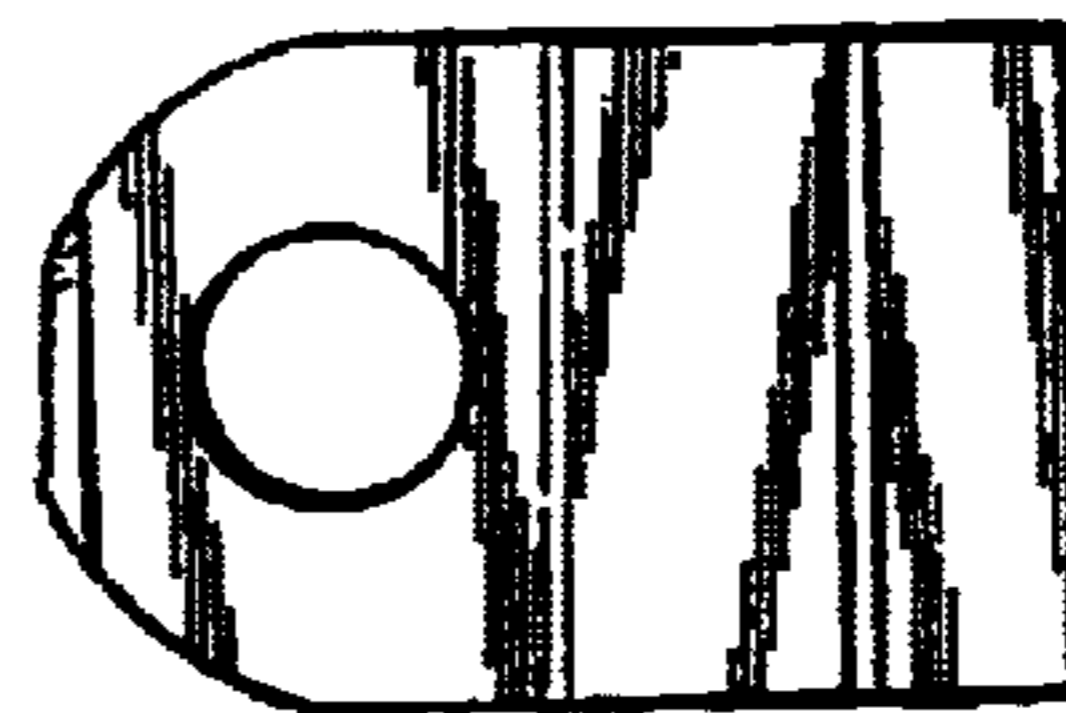


FIG. 5

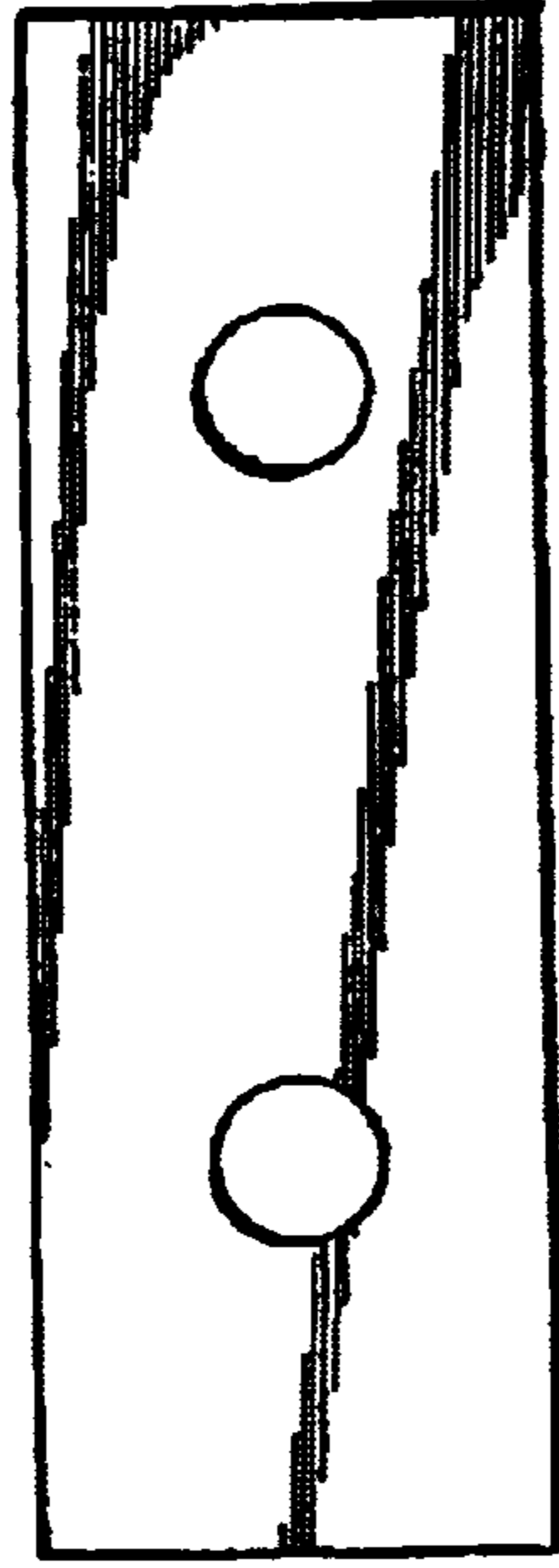


FIG. 7

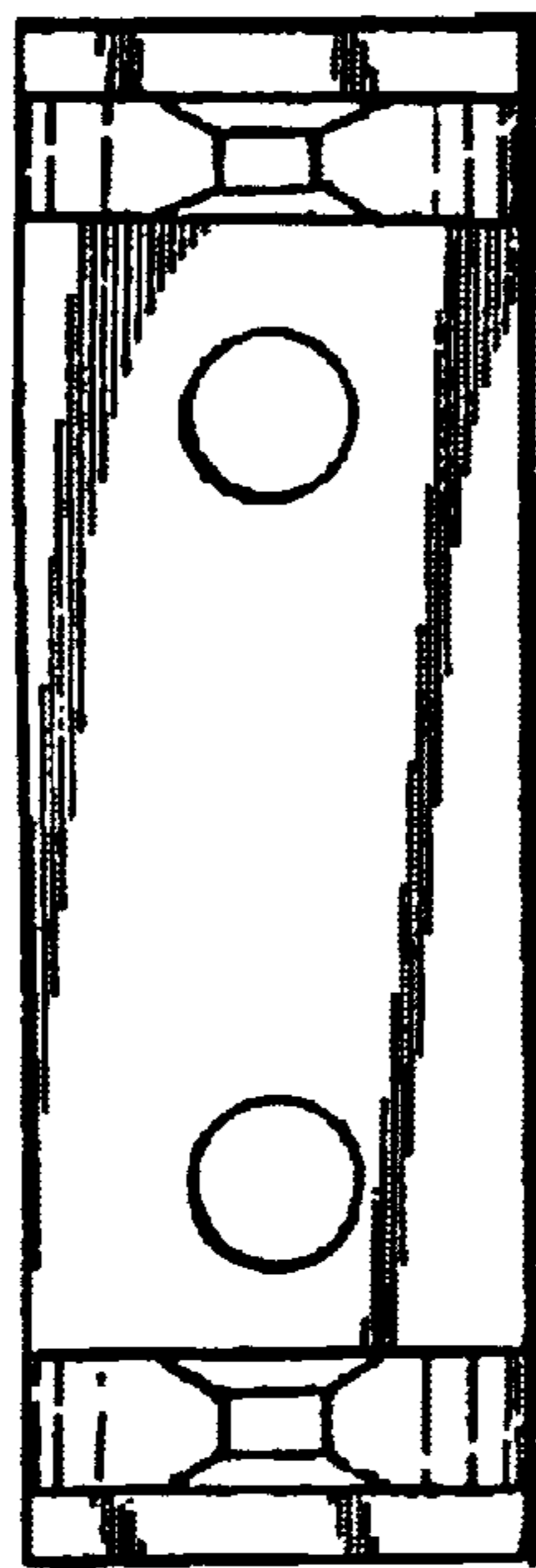


FIG. 6