

US00D500439S

(12) **United States Design Patent**
Rosenthal

(10) **Patent No.: US D500,439 S**

(45) **Date of Patent: ** Jan. 4, 2005**

(54) **KNIFE SHARPENER**

(76) **Inventor: Gunter Rosenthal, 5850 Thimens, St. Laurent, Quebec (CA), H4S 1S5**

(**) **Term: 14 Years**

(21) **Appl. No.: 29/175,930**

(22) **Filed: Feb. 13, 2003**

(51) **LOC (7) Cl. 08-05**

(52) **U.S. Cl. D8/93**

(58) **Field of Search D8/90, 91, 92, D8/93, 94; 76/82, 86, 88; 451/540, 548, 549, 552, 555, 557, 558**

(56) **References Cited**

U.S. PATENT DOCUMENTS

D169,539 S	*	5/1953	Folli	D8/63
D315,663 S	*	3/1991	Dolbosco	D8/93
D323,450 S	*	1/1992	Shimizu	D8/93
D331,688 S	*	12/1992	Busse	D8/63

D357,395 S	*	4/1995	Friel	D8/93
D368,217 S	*	3/1996	Friel	D8/93
D372,181 S	*	7/1996	Kelley	D8/93
D392,869 S	*	3/1998	Rieser	D8/93
D402,523 S	*	12/1998	Thomas	D8/93

* cited by examiner

Primary Examiner—Philip S. Hyder

(74) *Attorney, Agent, or Firm*—King & Jovanovic, PLC

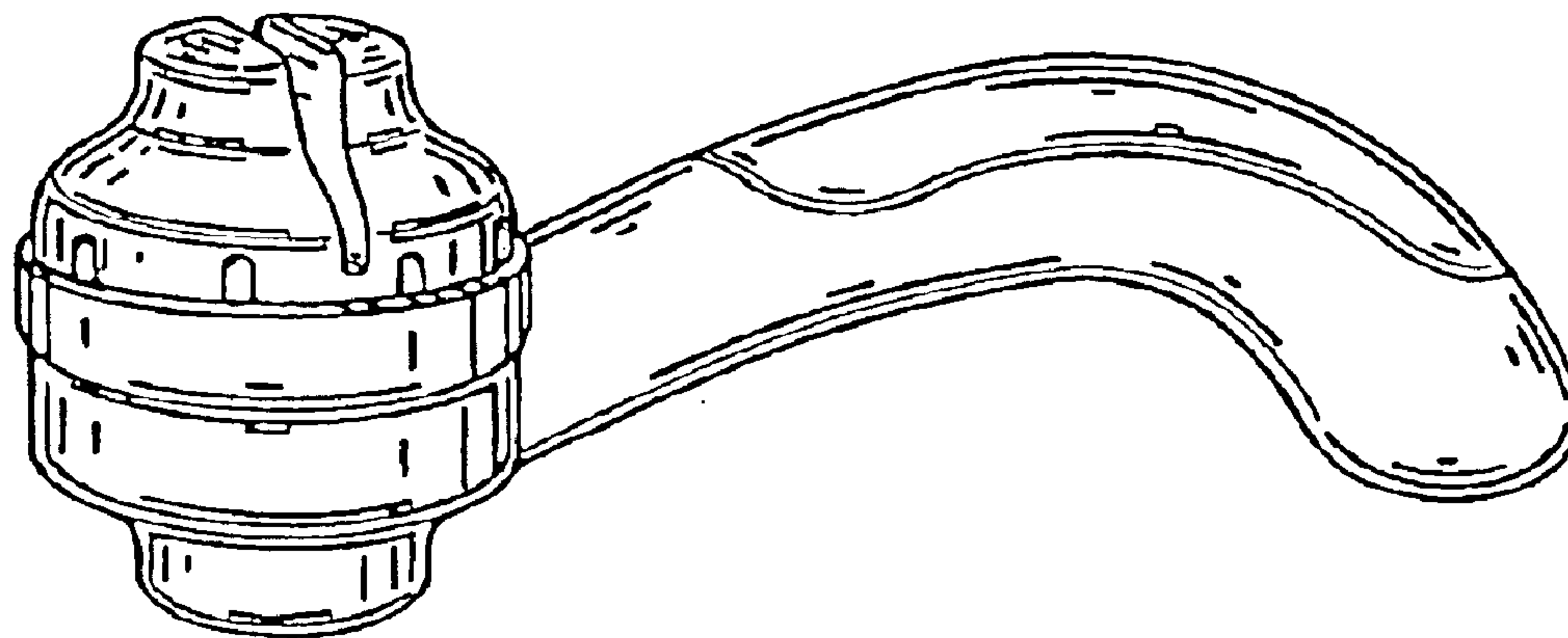
(57) **CLAIM**

The ornamental design for a knife sharpener, as shown.

DESCRIPTION

FIG. 1 is a front, side, top perspective view of the knife sharpener, showing a new ornamental design thereof; FIG. 2 is a back, side, top perspective view thereof; FIG. 3 is a top plan view thereof; FIG. 4 is a side elevational view thereof; and, FIG. 5 is a front elevational view thereof.

1 Claim, 1 Drawing Sheet



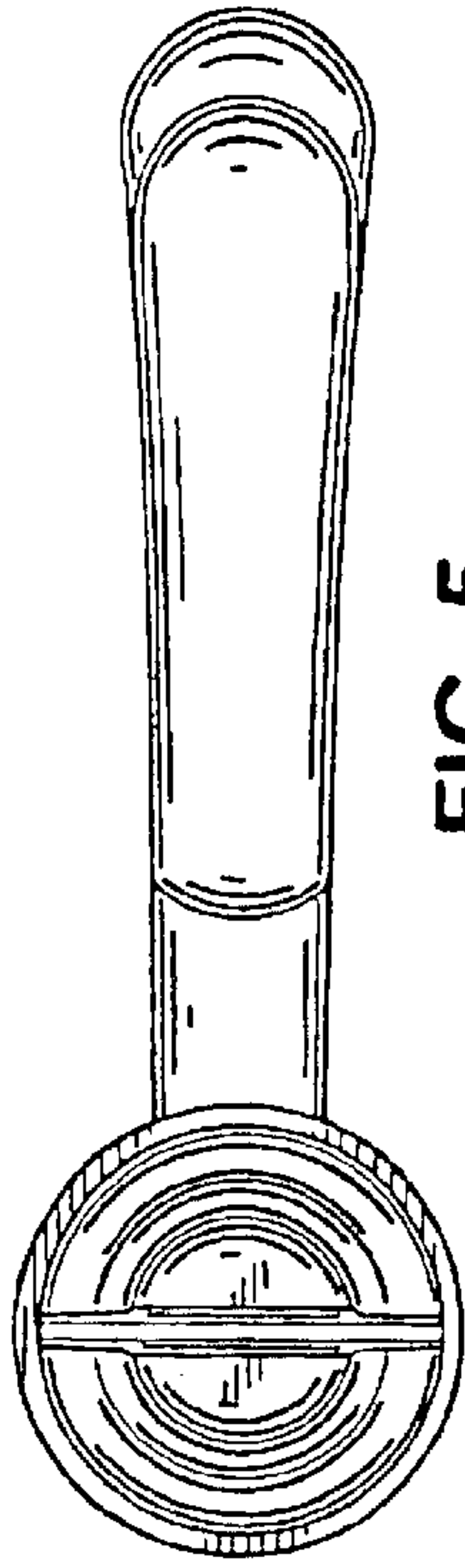


FIG. 5

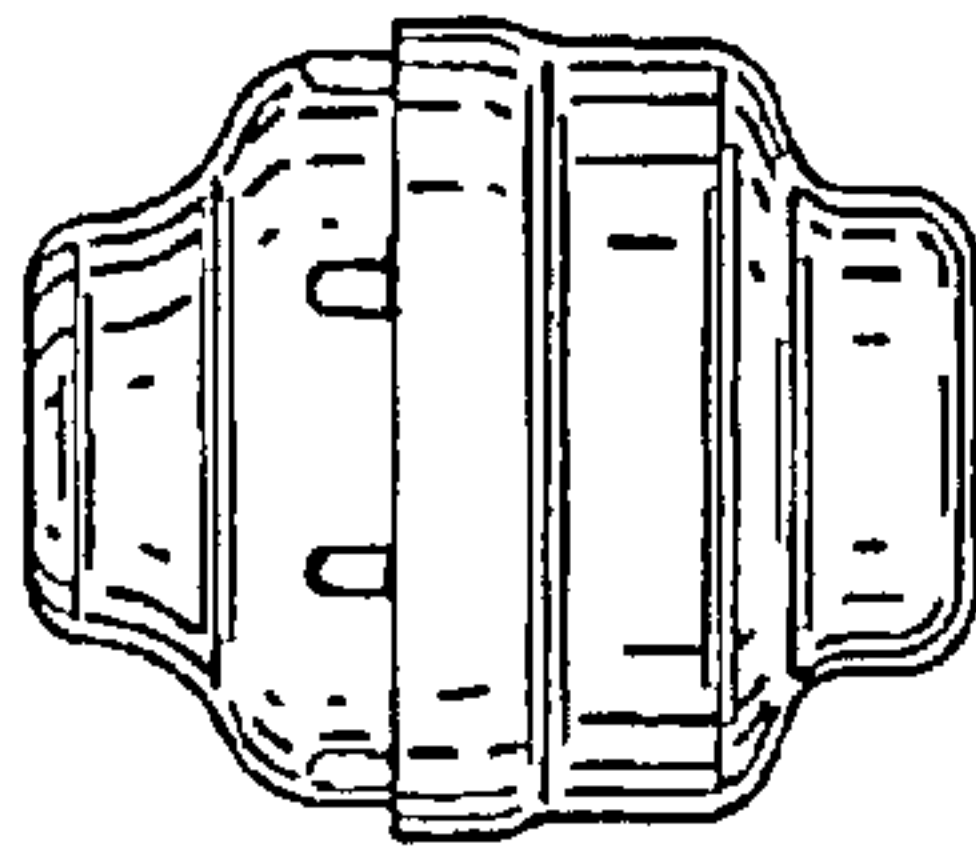


FIG. 3

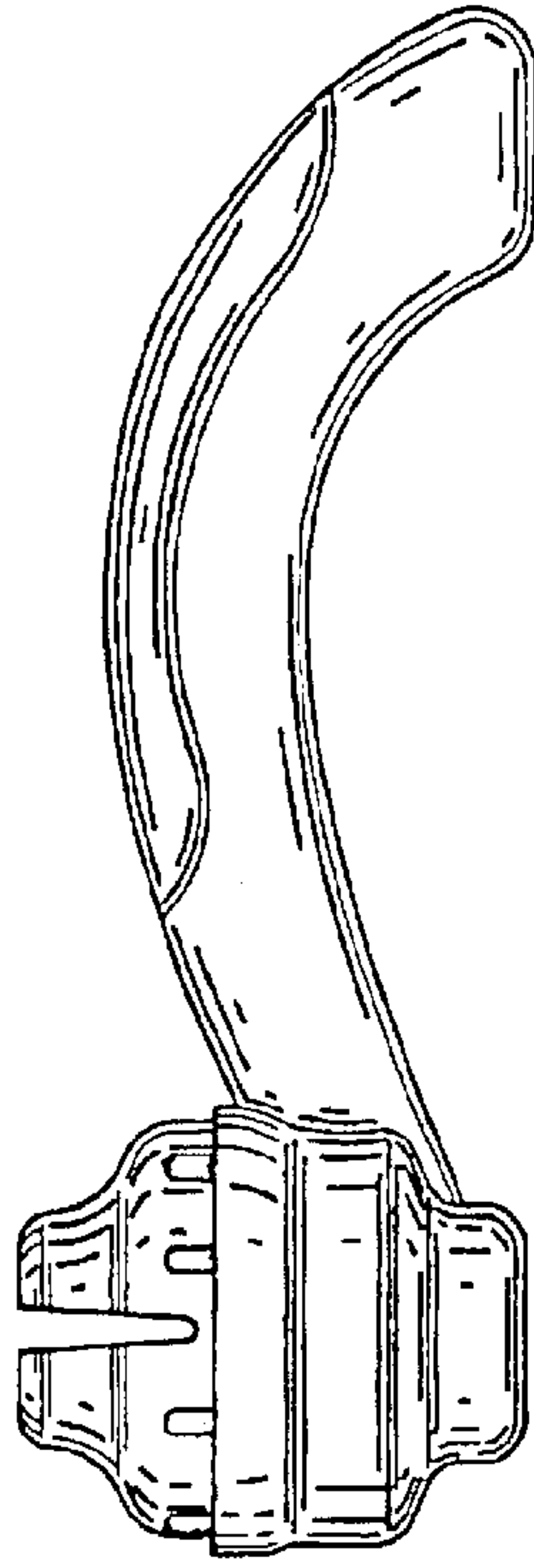


FIG. 4

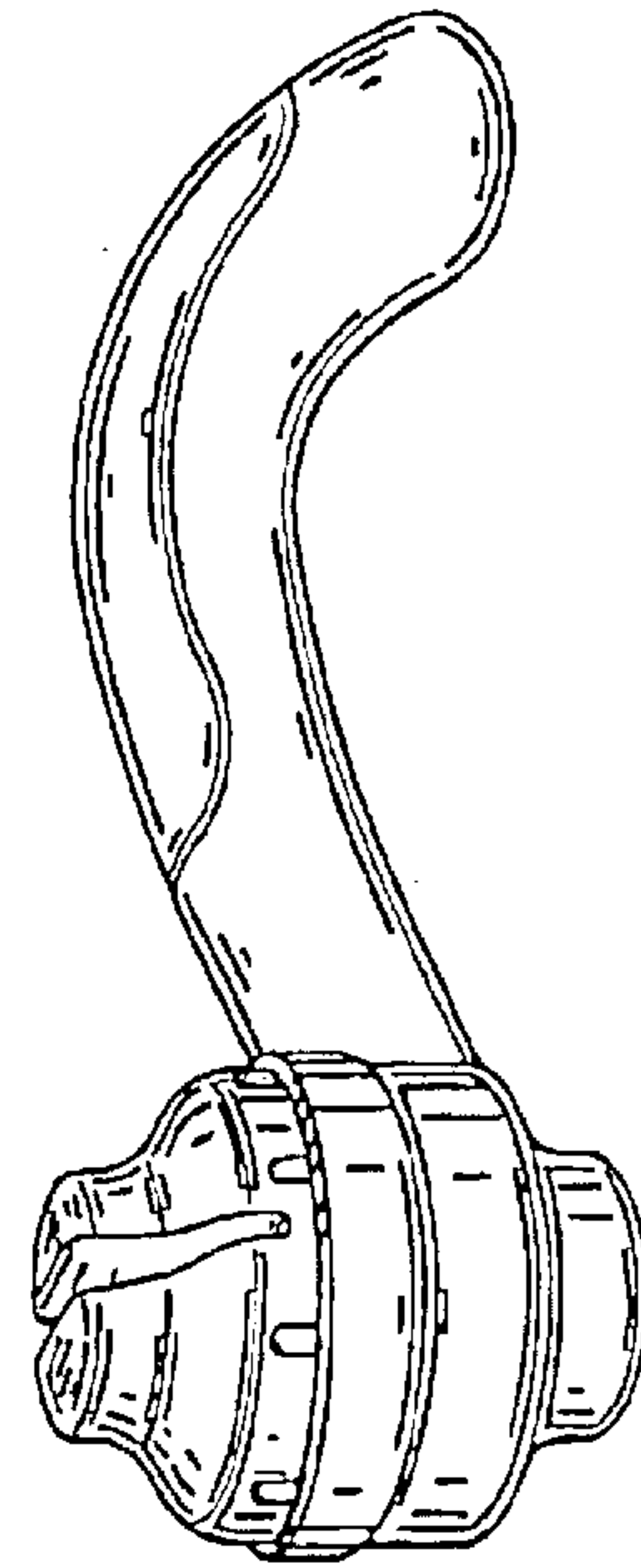


FIG. 1

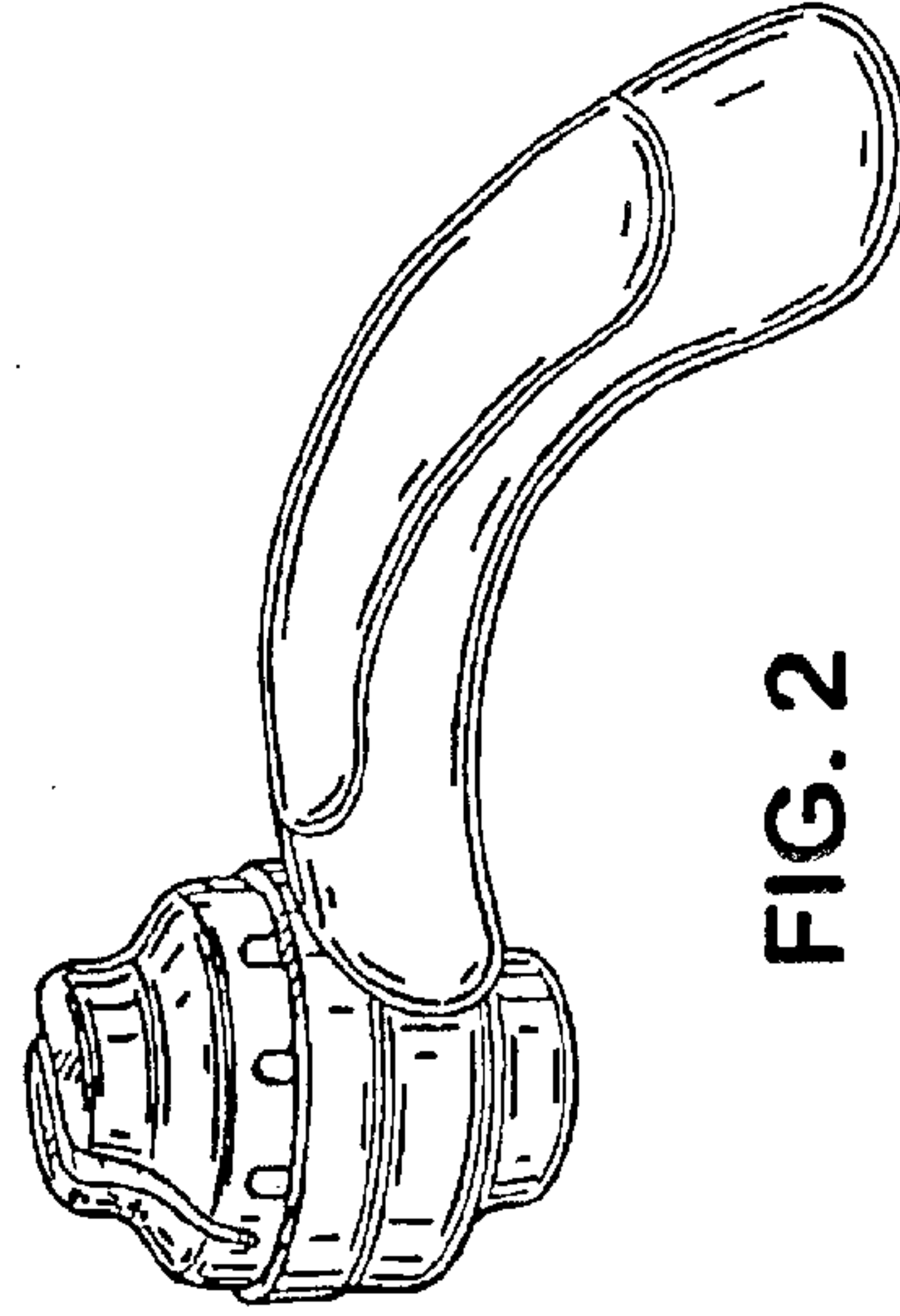


FIG. 2