

US00D500438S

(12) **United States Design Patent**  
**Andriolo**

(10) **Patent No.:** **US D500,438 S**

(45) **Date of Patent:** **\*\* Jan. 4, 2005**

(54) **CIRCULAR SAW**

(75) **Inventor:** **Paolo Andriolo, Vicenza (IT)**

(73) **Assignee:** **Positec Power (Suzhou) Co, Ltd. (CN)**

(\*\*) **Term:** **14 Years**

(21) **Appl. No.:** **29/189,665**

(22) **Filed:** **Sep. 9, 2003**

(51) **LOC (7) Cl. .... 08-03**

(52) **U.S. Cl. .... D8/66**

(58) **Field of Search** ..... D8/61, 64, 66,  
D8/67, 68, 69; 30/373, 374, 375, 376, 377,  
388, 390, 391, 392, 393, 394

(56) **References Cited**

**U.S. PATENT DOCUMENTS**

D281,663 S	*	12/1985	Tsuru et al. ....	D8/66
D313,155 S	*	12/1990	Somers .....	D8/66
D326,399 S	*	5/1992	Fushiya et al. ....	D8/66
D329,363 S	*	9/1992	Sasaki et al. ....	D8/66
5,433,008 A	*	7/1995	Barger, Jr. et al. ....	30/376
D363,656 S	*	10/1995	Gierke .....	D8/66
D378,488 S	*	3/1997	Ito et al. ....	D8/66
5,782,001 A	*	7/1998	Gray .....	30/391
5,934,143 A	*	8/1999	Dibbern et al. ....	74/421 A

D427,872 S	*	7/2000	Snider .....	D8/66
D428,319 S	*	7/2000	Gallagher .....	D8/66
6,202,311 B1	*	3/2001	Nickels, Jr. ....	30/376
D453,099 S	*	1/2002	Welsh .....	D8/66
D466,385 S	*	12/2002	Shigo et al. ....	D8/66
D475,266 S	*	6/2003	Sakai et al. ....	D8/66
D492,564 S	*	7/2004	Zemlok et al. ....	D8/66
2003/0131484 A1	*	7/2003	Yoshida et al. ....	30/376

\* cited by examiner

*Primary Examiner*—Joel A. Sincavage

*Assistant Examiner*—Elizabeth Albert

(74) *Attorney, Agent, or Firm*—Factor & Lake

(57) **CLAIM**

The ornamental design for a circular saw, as shown.

**DESCRIPTION**

FIG. 1 is a perspective view of the circular saw, showing a new ornamental design thereof;  
FIG. 2 is a front elevational view thereof;  
FIG. 3 is a rear elevational view thereof;  
FIG. 4 is a left elevational view thereof;  
FIG. 5 is a right elevational view thereof;  
FIG. 6 is a top plan view thereof; and,  
FIG. 7 is a bottom plan view thereof.

**1 Claim, 4 Drawing Sheets**

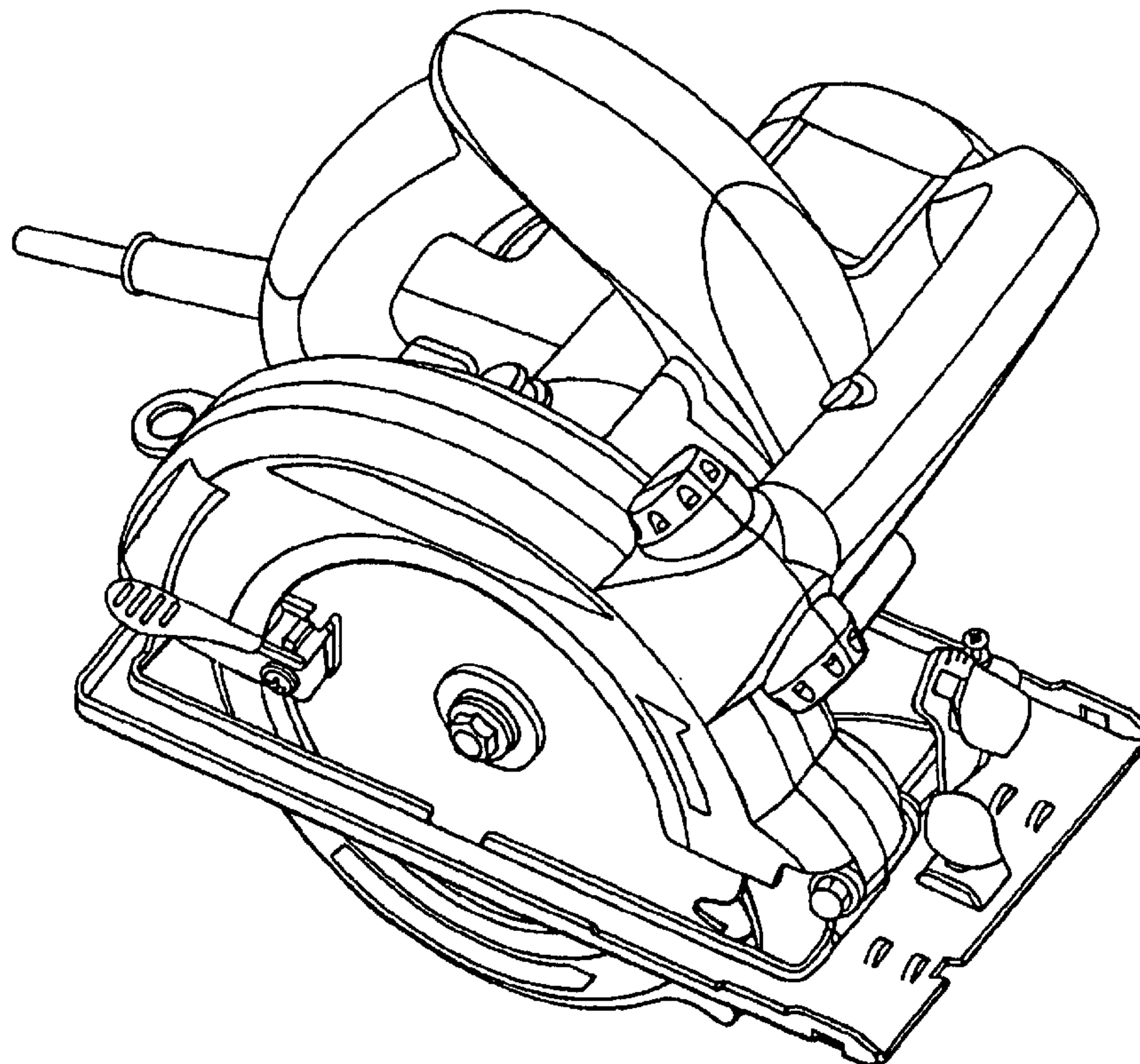


FIG. 1

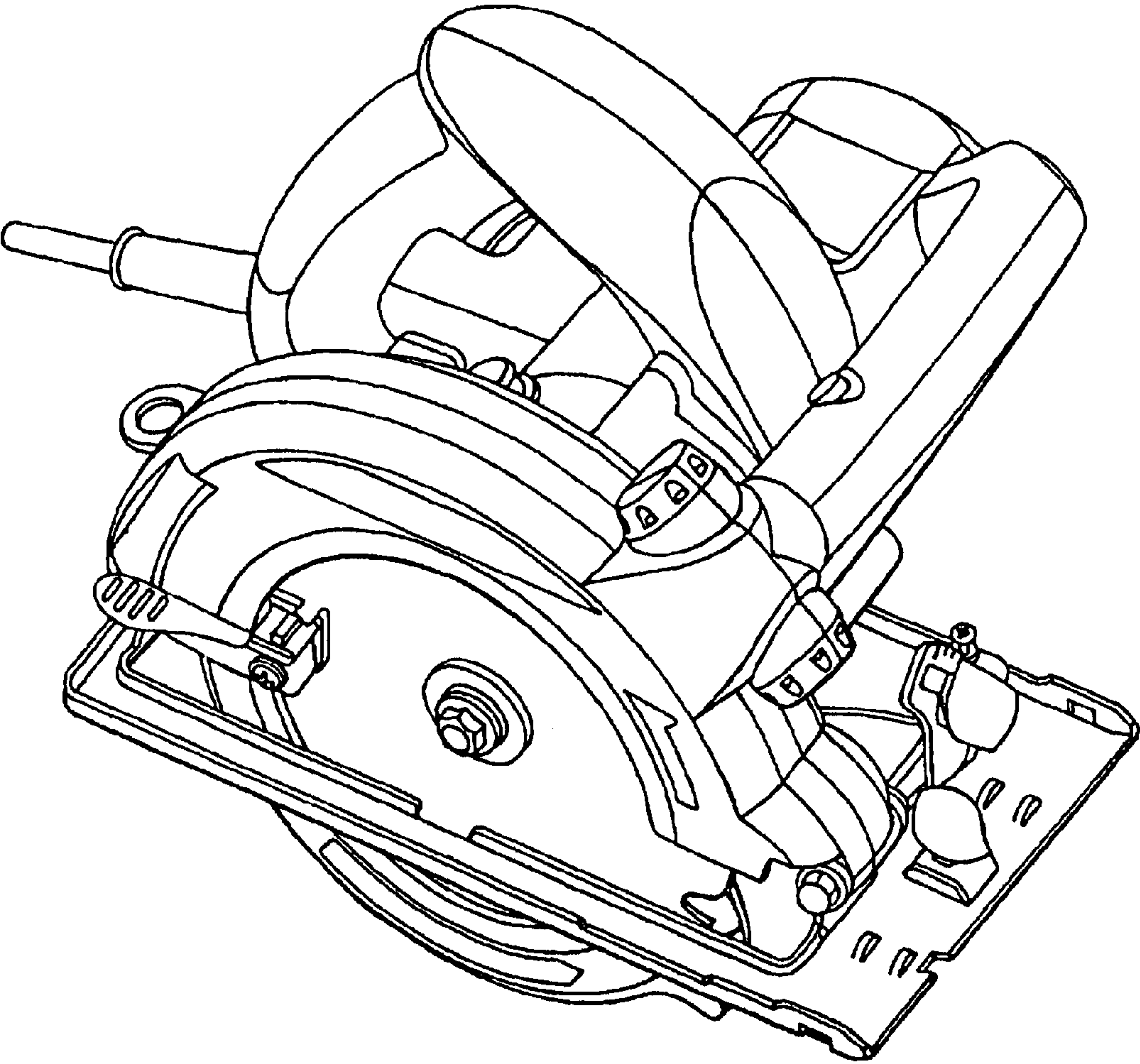


FIG. 2

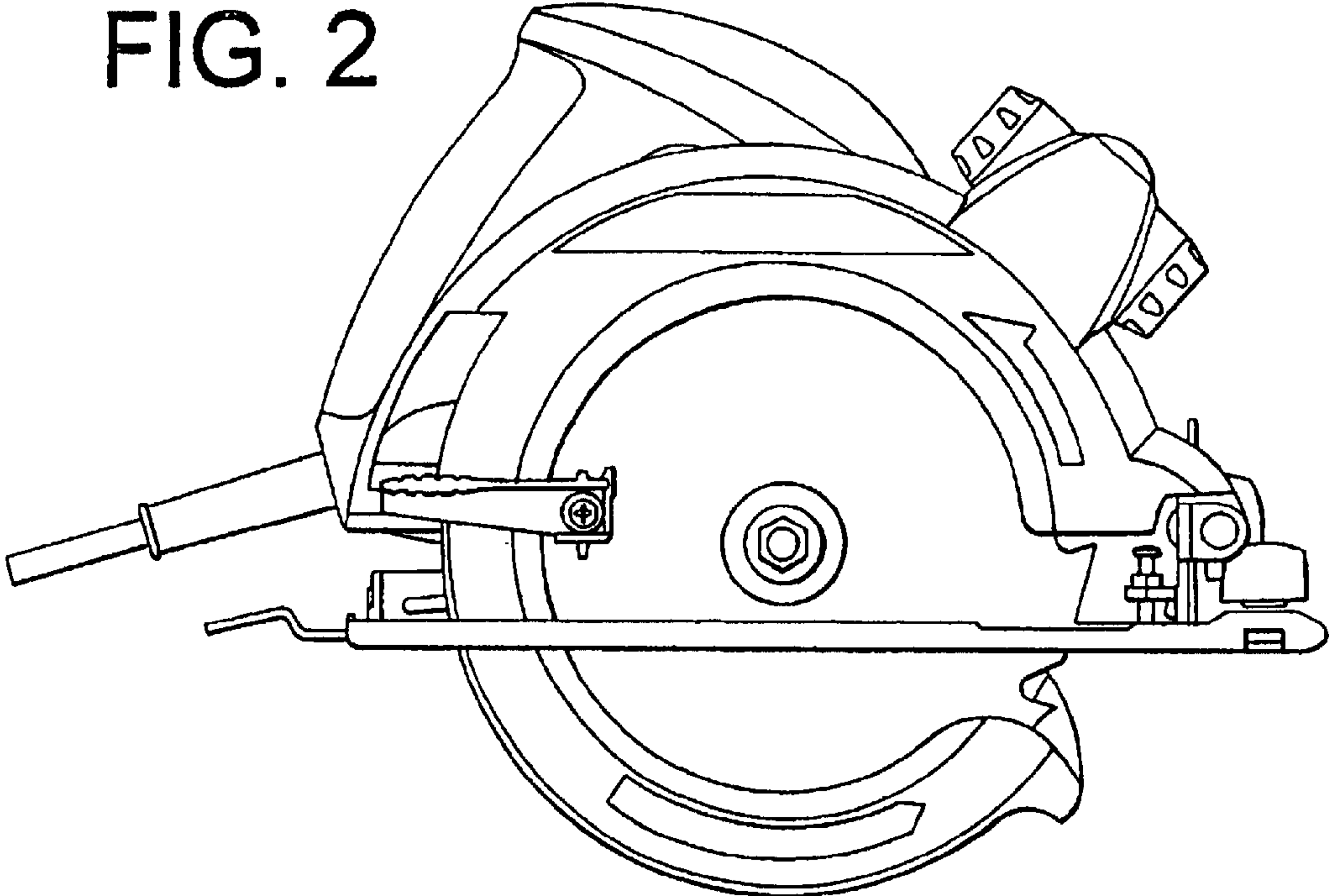


FIG. 3

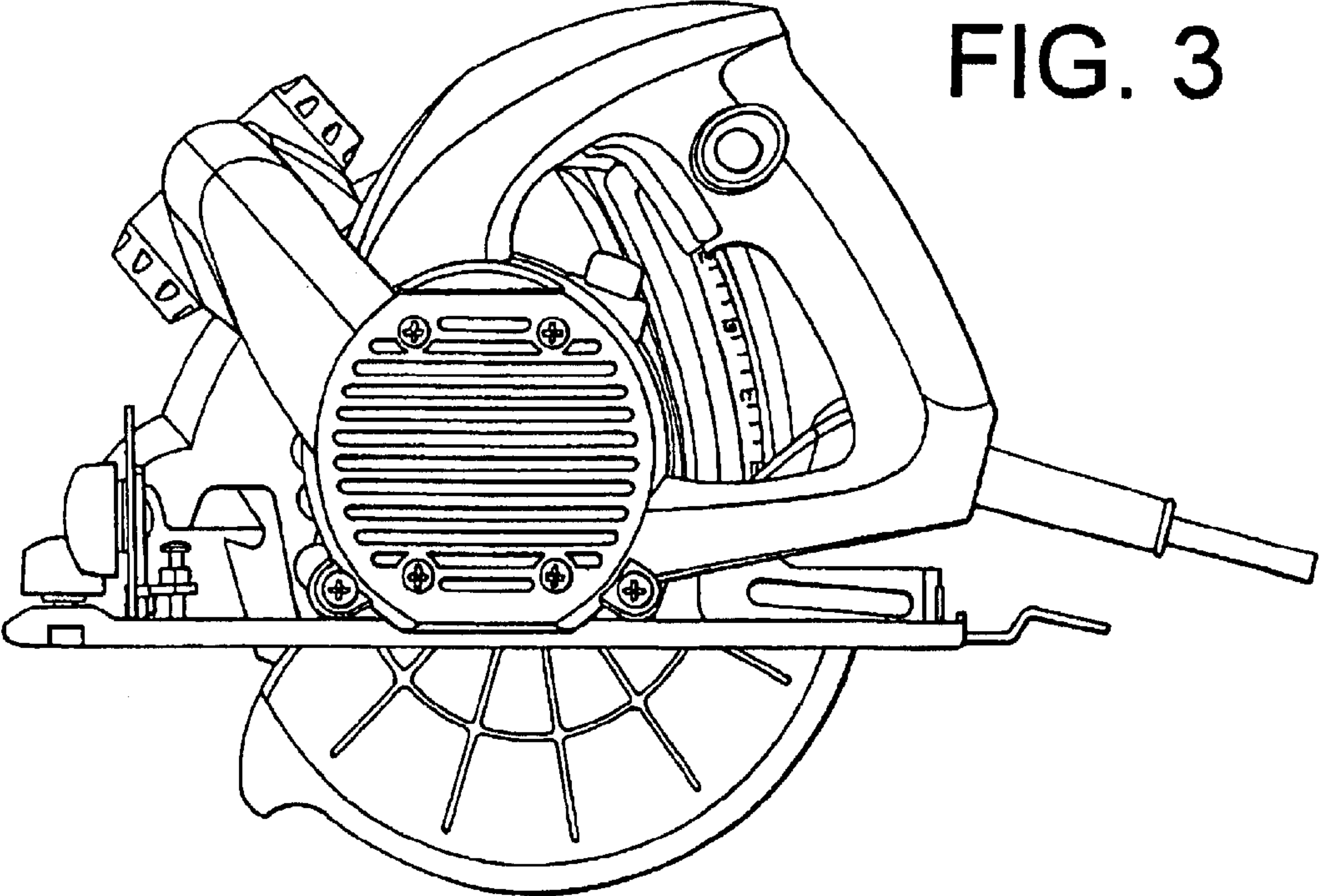




FIG. 4

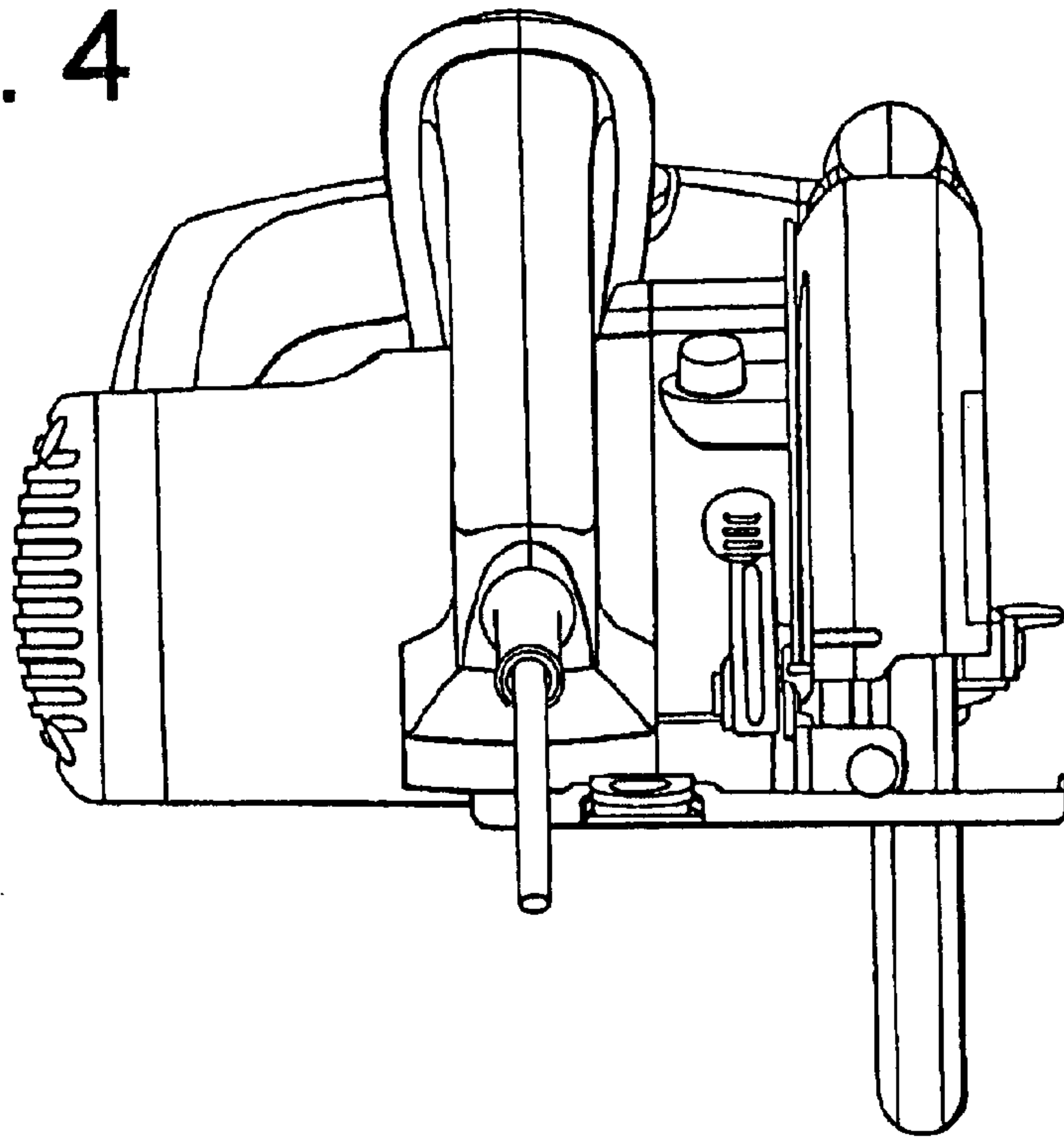


FIG. 5

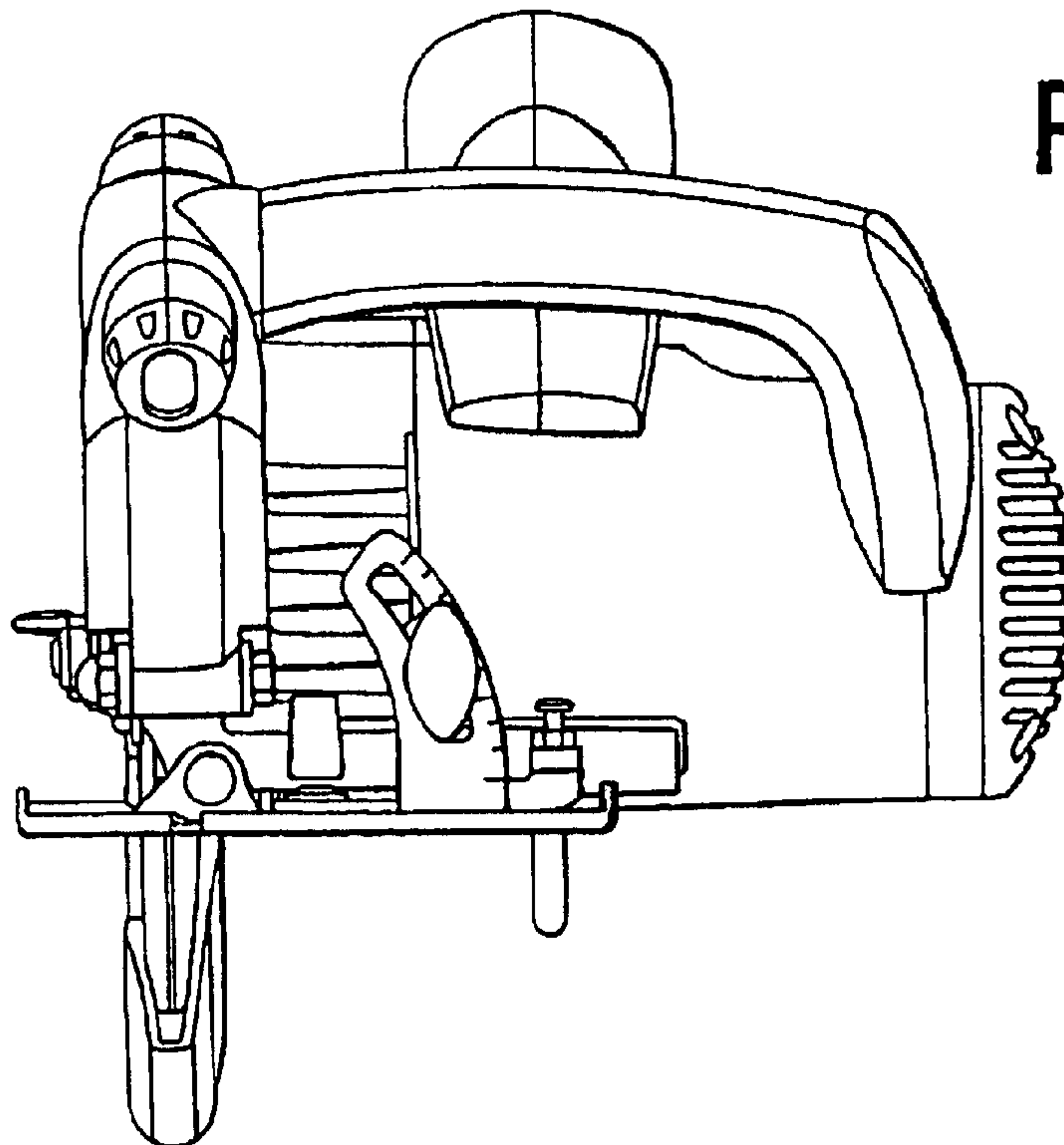


FIG. 6

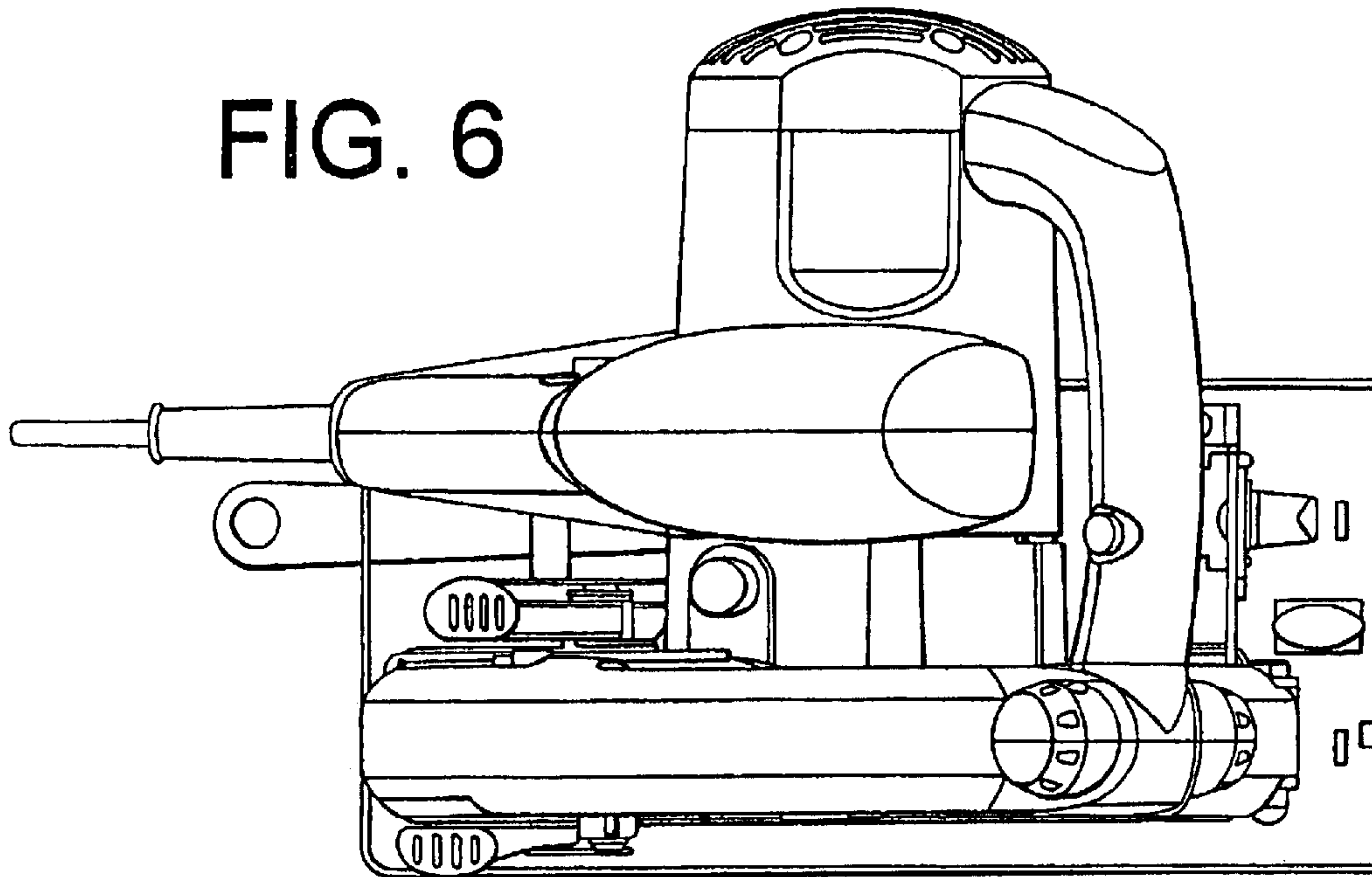


FIG. 7

