

US00D500437S

(12) **United States Design Patent**
Robson

(10) **Patent No.: US D500,437 S**
(45) **Date of Patent: ** Jan. 4, 2005**

- (54) **SAW**
- (75) **Inventor: Nigel Robson, Gateshead (GB)**
- (73) **Assignee: Black & Decker Inc., Newark, DE (US)**
- (**) **Term: 14 Years**
- (21) **Appl. No.: 29/189,379**
- (22) **Filed: Sep. 4, 2003**
- (30) **Foreign Application Priority Data**
Mar. 17, 2003 (GB) 3011675
- (51) **LOC (7) Cl. 08-03**
- (52) **U.S. Cl. D8/64**
- (58) **Field of Search D8/61, 62, 63, D8/64, 65, 66, 67, 68, 69; 30/373, 374, 375, 376, 377, 388, 390, 391, 392, 393, 394; 83/699.21, 747; 173/216, 217; 310/50**

(56) **References Cited**

U.S. PATENT DOCUMENTS

D144,288 S	*	4/1946	Clark	D8/51
D222,332 S	*	10/1971	Current	D8/61
D228,615 S	*	10/1973	Hal	D8/61
D343,344 S	*	1/1994	Chapin	D8/61
D379,749 S	*	6/1997	Gildersleeve et al.	D8/67
D382,183 S	*	8/1997	Cooper	D8/62

D396,177 S	*	7/1998	Schultz	D8/68
D403,936 S	*	1/1999	Somers	D8/68
D404,273 S	*	1/1999	Somers	D8/62
D416,459 S	*	11/1999	Pears	D8/62
5,990,431 A	*	11/1999	Wright	200/302.3
D455,624 S	*	4/2002	Wright	D8/64
D479,455 S	*	9/2003	Waldron	D8/68
D482,253 S	*	11/2003	Cooper et al.	D8/68
2002/0153237 A1	*	10/2002	Covell et al.	200/321

* cited by examiner

Primary Examiner—Joel A. Sincavage

Assistant Examiner—Elizabeth Albert

(74) *Attorney, Agent, or Firm*—Bruce S. Shapiro; John D. DelPonti; John Yun

(57) **CLAIM**

The ornamental design for a saw, as shown and described.

DESCRIPTION

FIG. 1 is a left side perspective view of a saw showing my new design.

FIG. 2 is a left side elevational view thereof.

FIG. 3 is a right side elevational view thereof.

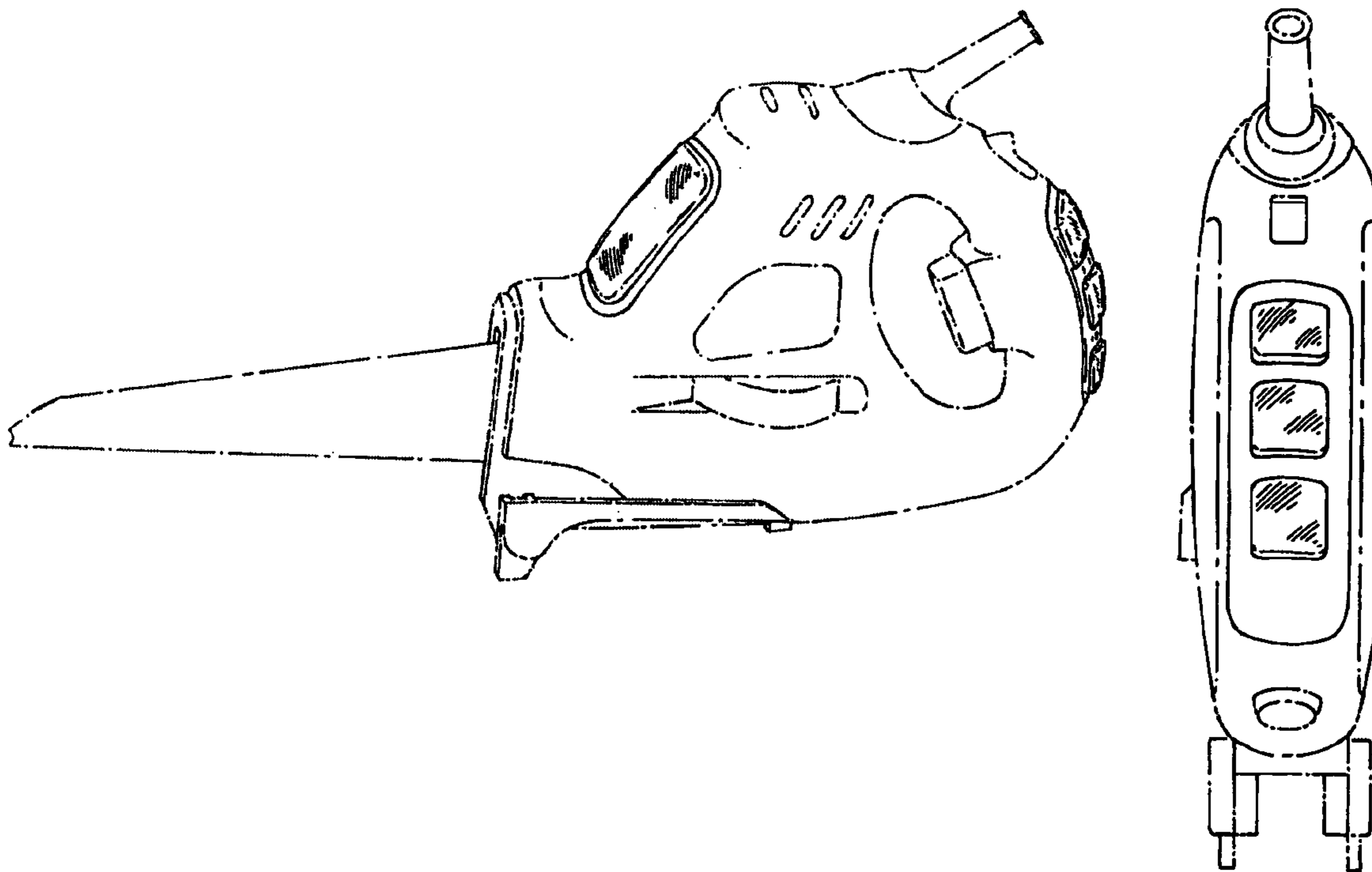
FIG. 4 is a front elevational view thereof.

FIG. 5 is a rear elevational view thereof; and,

FIG. 6 is a top plan view thereof.

The broken lines are for illustrative purposes only and form no part of the claimed design.

1 Claim, 5 Drawing Sheets



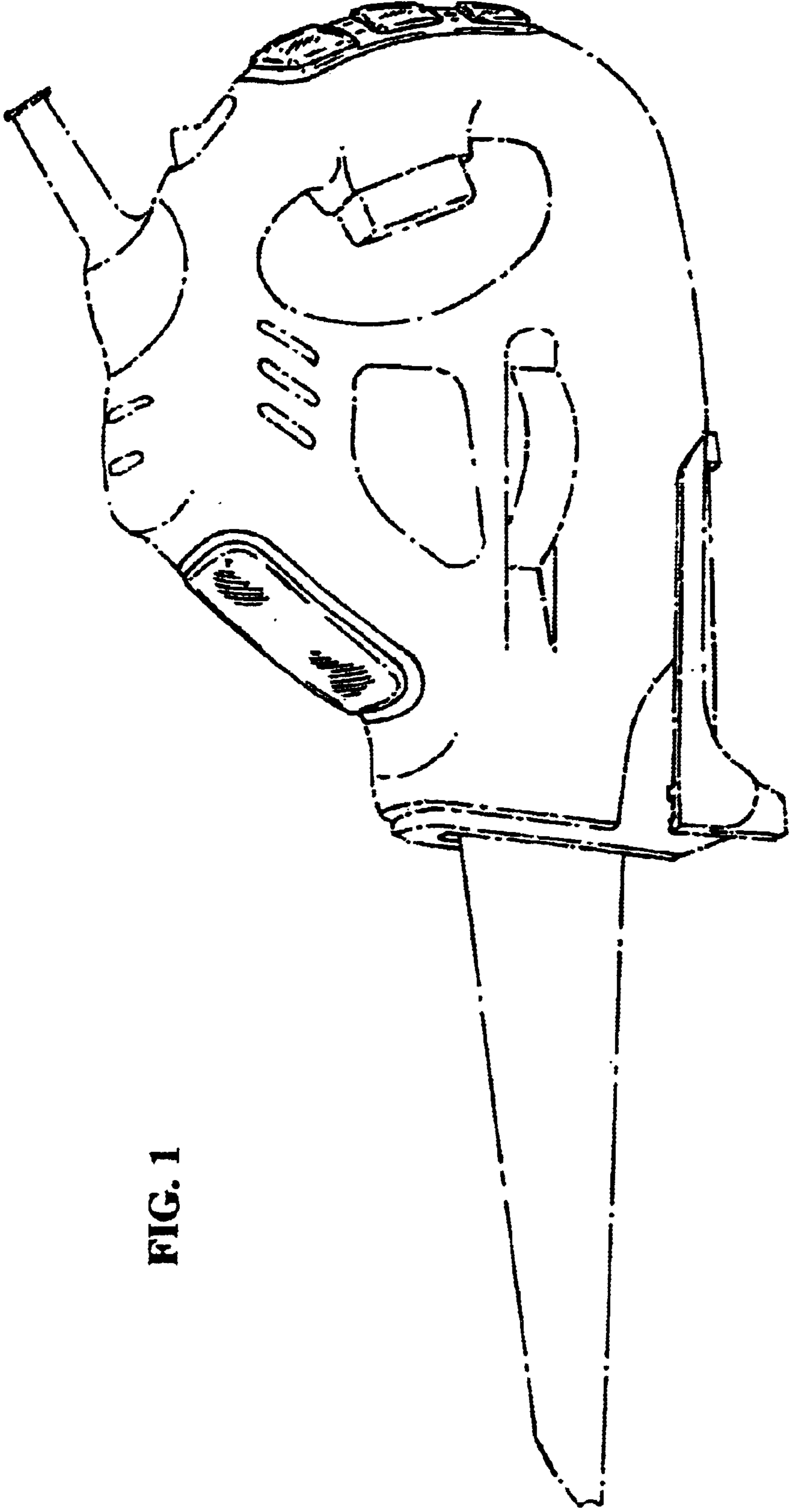


FIG. 1

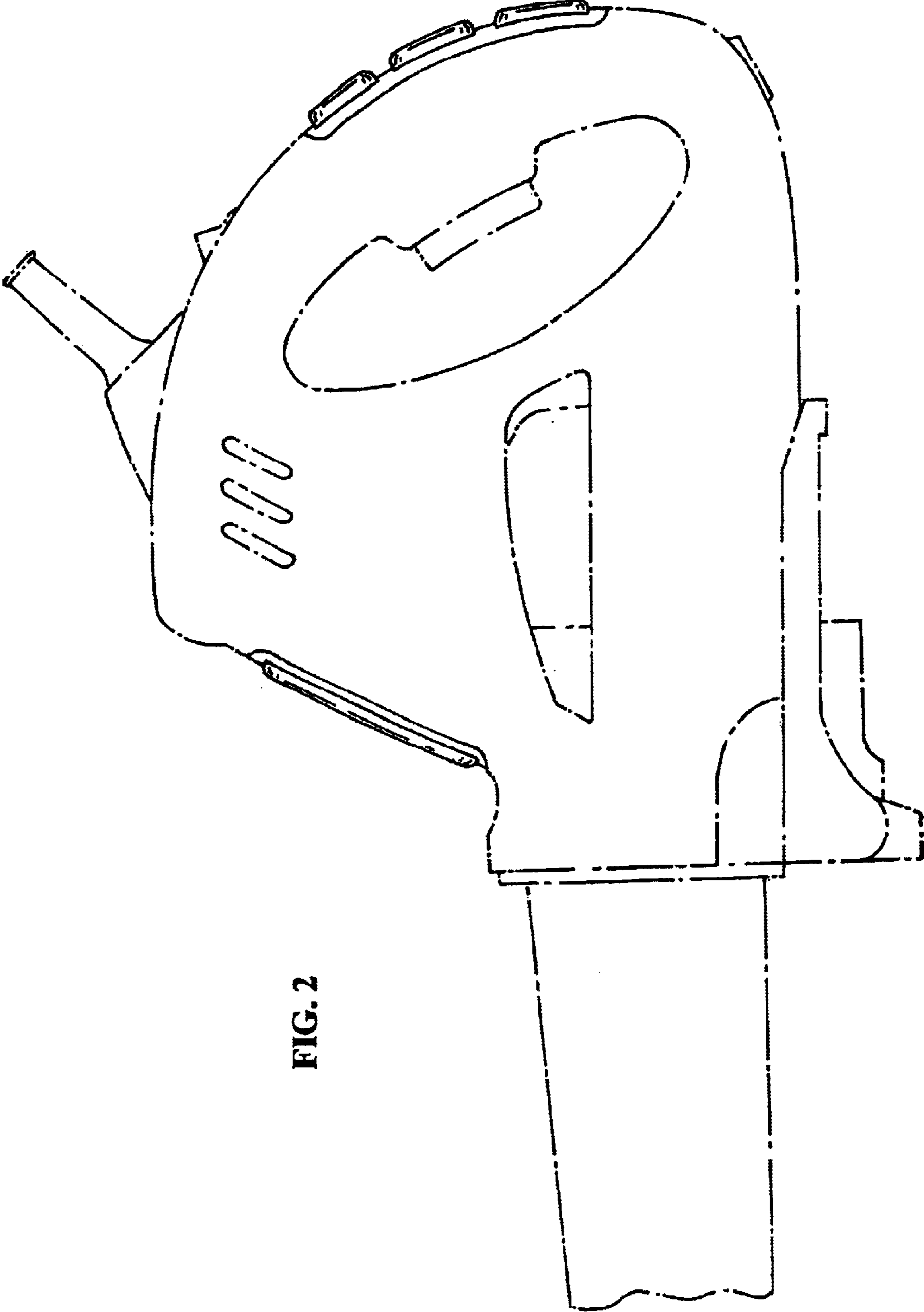
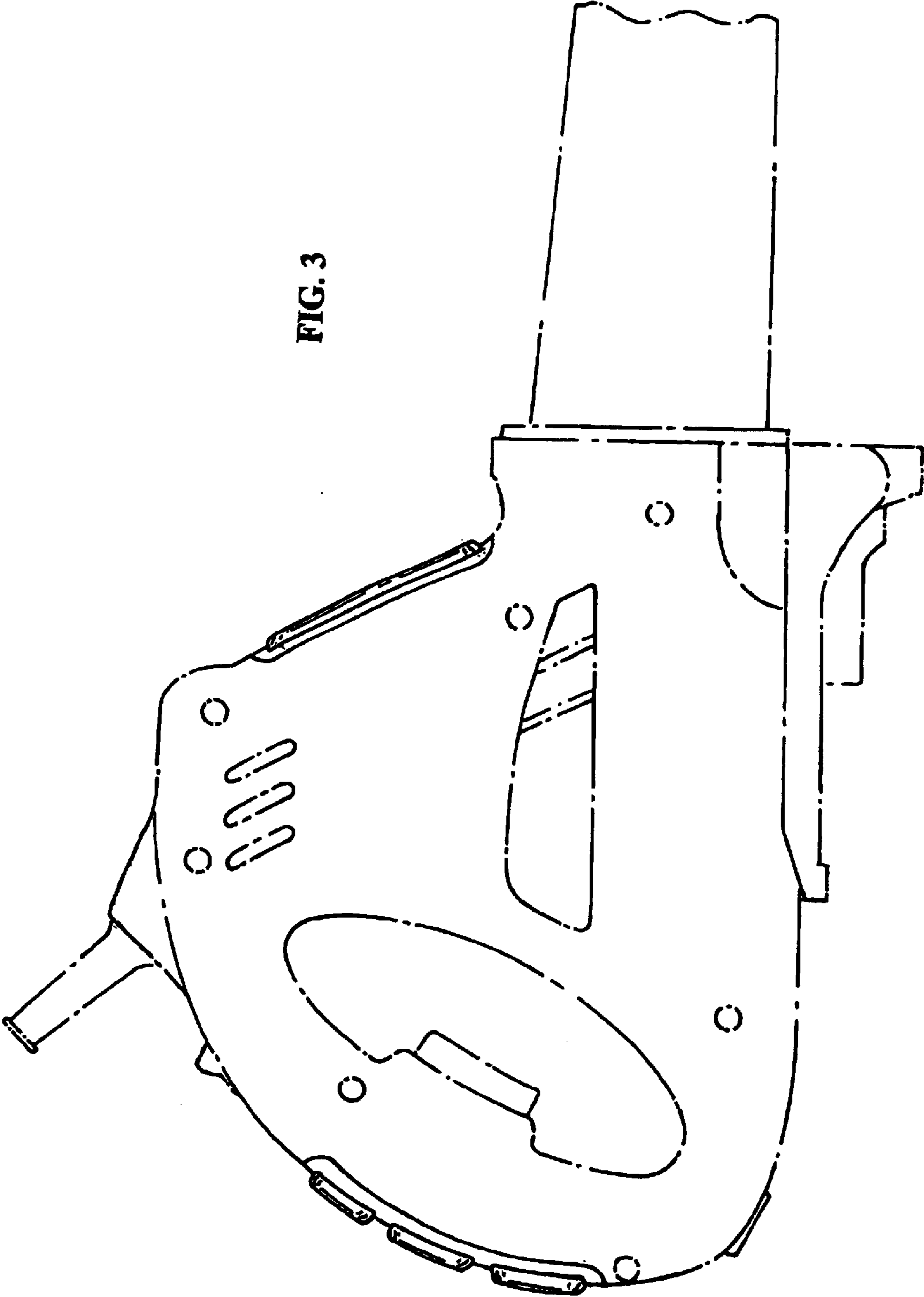


FIG. 2

FIG. 3



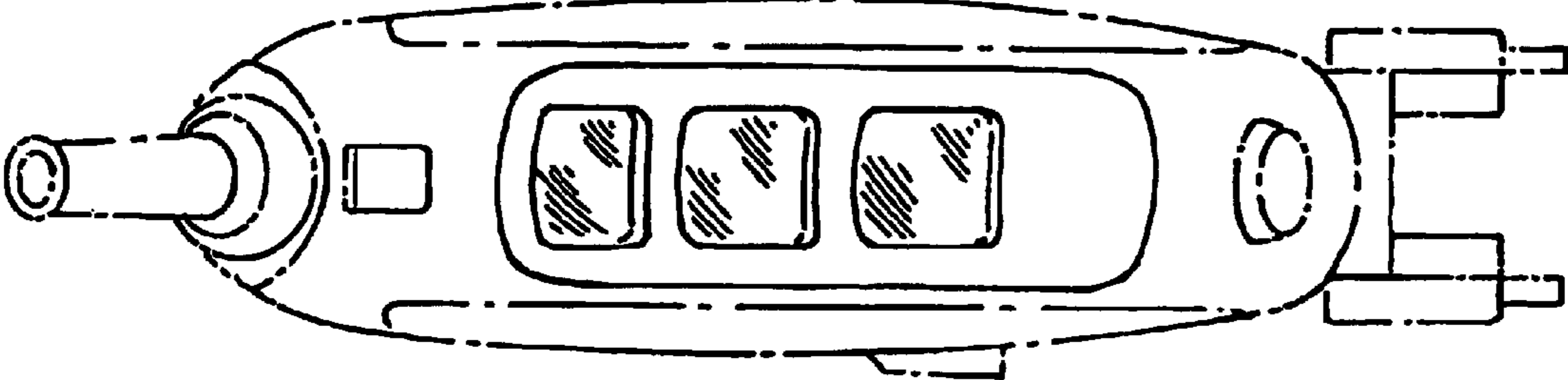


FIG. 5

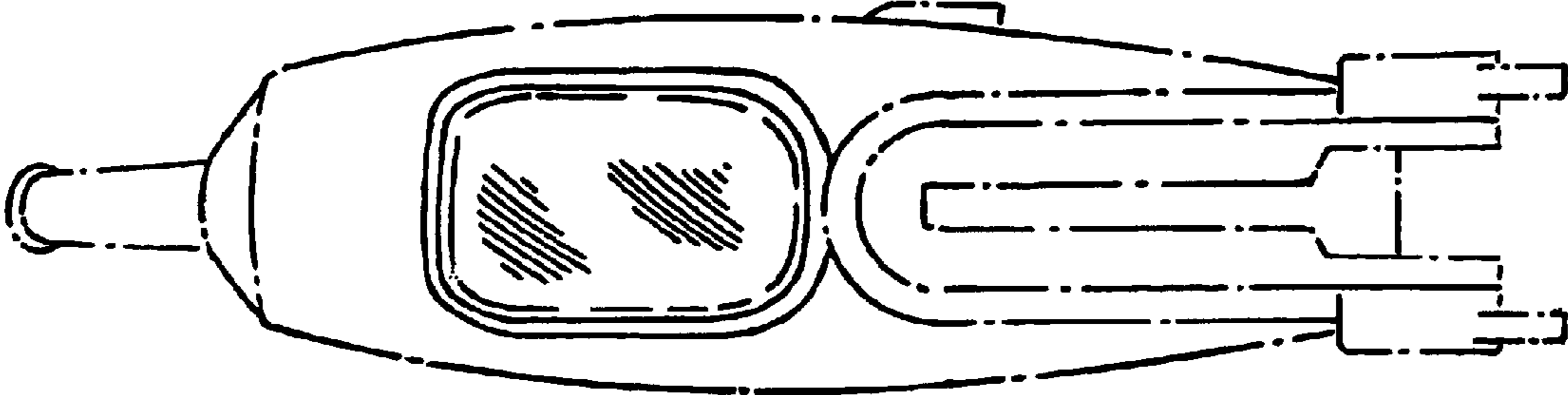


FIG. 4

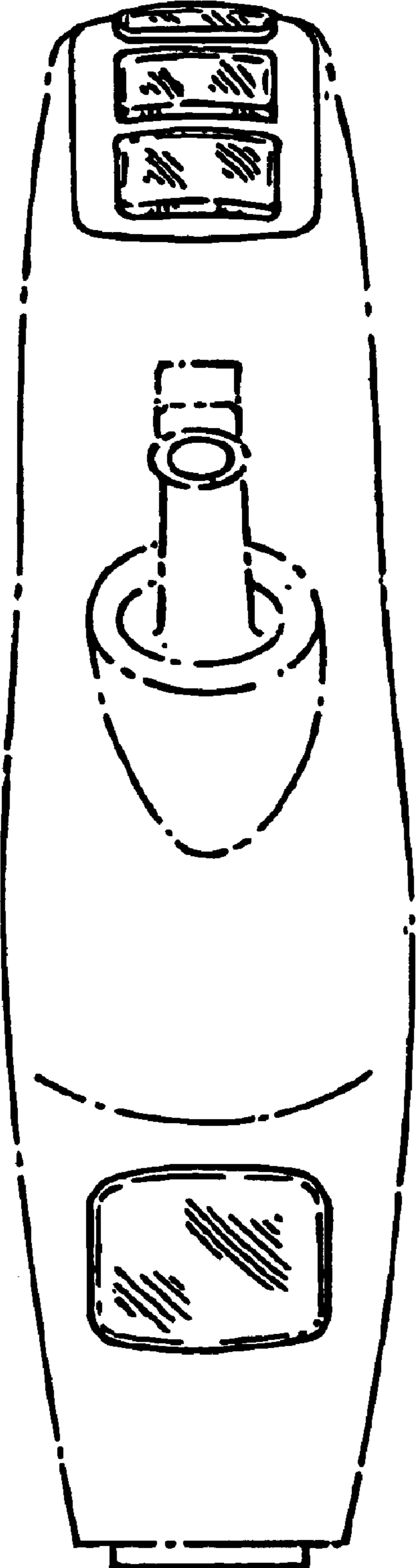


FIG. 6