

US00D500428S

(12) **United States Design Patent**  
Ward et al.

(10) **Patent No.:** US D500,428 S  
(45) **Date of Patent:** \*\* Jan. 4, 2005

(54) **CONTAINER CAP**

(75) Inventors: **Evan T. Ward**, Chicago, IL (US);  
**Donald J. Nole**, Chicago, IL (US)

(73) Assignee: **Ignite Design, Inc.**, Chicago, IL (US)

(\*\*) Term: **14 Years**

(21) Appl. No.: **29/189,258**

(22) Filed: **Aug. 29, 2003**

(51) **LOC (7) Cl.** ..... **07-01**

(52) **U.S. Cl.** ..... **D7/392.1**

(58) **Field of Search** ..... D7/392.1, 396.1,  
D7/396.2, 900, 501, 507, 510, 511, 514,  
515; D9/434, 449, 447, 435; 220/254.1-254.6,  
361, 705, 711-719

(56) **References Cited**

**U.S. PATENT DOCUMENTS**

D204,574 S	4/1966	Harvey et al.	
3,281,024 A	10/1966	Henchert et al.	
3,952,911 A	4/1976	Bozek et al.	
4,441,637 A	4/1984	Libit	
4,516,689 A	5/1985	Barker	
4,582,216 A	4/1986	Byrd	
4,629,088 A	12/1986	Durgin	
5,242,079 A	9/1993	Stephens et al.	
5,402,904 A	4/1995	Close	
5,456,380 A	10/1995	Ito et al.	
5,647,500 A	7/1997	Konno et al.	
D416,755 S	* 11/1999	Trombly	..... D7/392.1
6,158,632 A	12/2000	Ekkert	
2003/0098306 A1	5/2003	Cho	

\* cited by examiner

*Primary Examiner*—Terry A. Wallace

(74) *Attorney, Agent, or Firm*—Olson & Hierl, Ltd.

(57) **CLAIM**

The ornamental design for a container cap, as shown and described.

**DESCRIPTION**

FIG. 1 is an environmental perspective view of the inventive design for a container cap;

FIG. 2 is an isometric view of the FIG. 1 design with the cap closure and the cap aperture fully closed;

FIG. 3 is a side elevational view of one side of the FIG. 1 design;

FIG. 4 is a side elevational view of the opposite side of the FIG. 1 design;

FIG. 5 is a top plan view of the FIG. 1 design;

FIG. 6 is a bottom plan view of the FIG. 1 design;

FIG. 7 is a front end elevational view of the FIG. 1 design;

FIG. 8 is a back end elevational view of the FIG. 1 design; and

FIG. 9 is a side elevational view similar to FIG. 3 but with the cap closure fully open;

FIG. 10 is a side elevational view of the opposite side similar to FIG. 4 but with the cap closure fully open;

FIG. 11 is a top plan view similar to FIG. 5 but with the cap closure and the cap aperture fully open;

FIG. 12 is a bottom plan view similar to FIG. 6 but with the cap closure and the cap aperture fully open;

FIG. 13 is a front end elevational view similar to FIG. 7 but with the cap closure fully open; and,

FIG. 14 is a back end elevational view similar to FIG. 8 but with the cap closure fully open.

The broken lines are for illustrative purposes only and form no part of the claimed design.

**1 Claim, 4 Drawing Sheets**

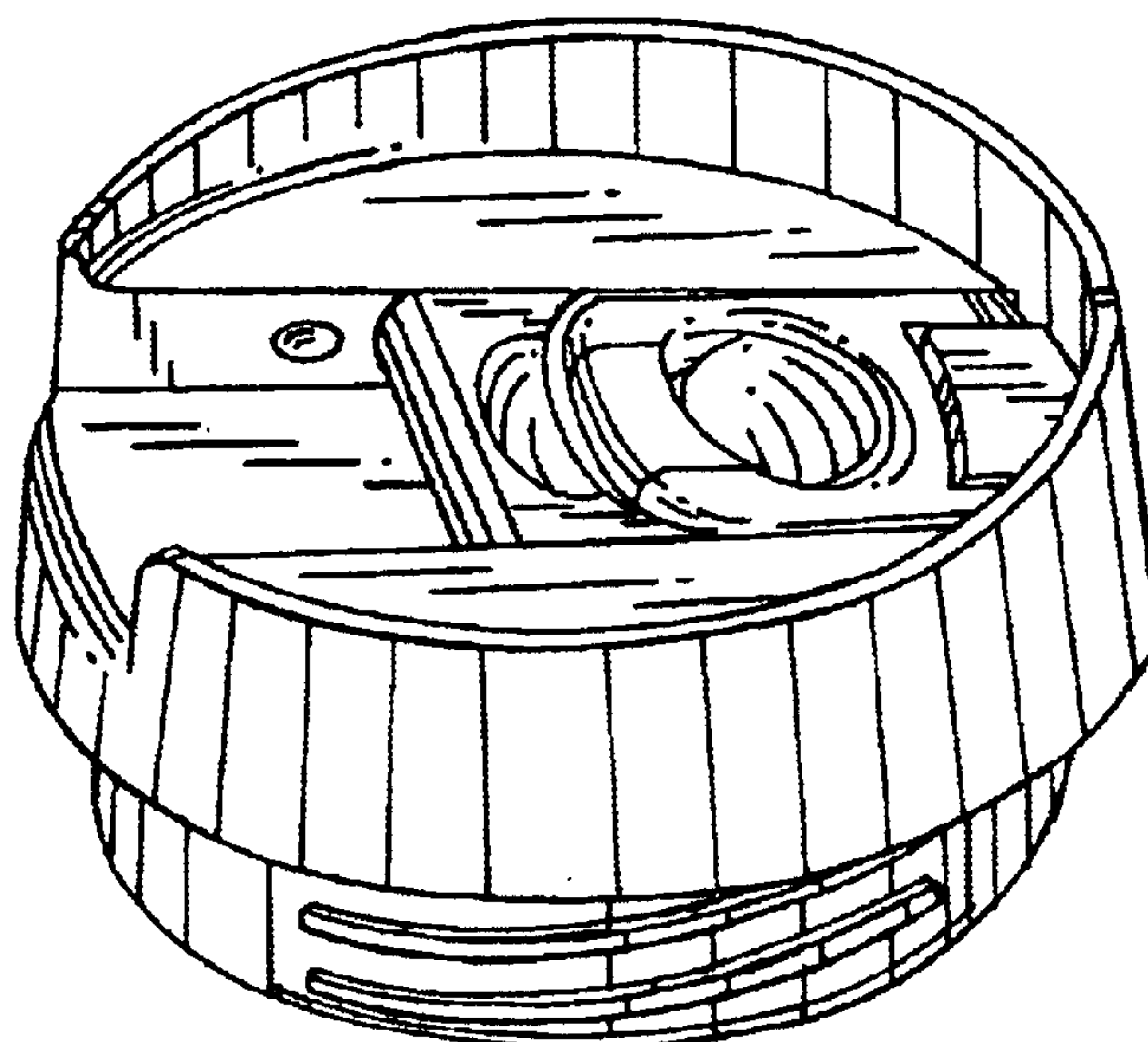


FIG. 1

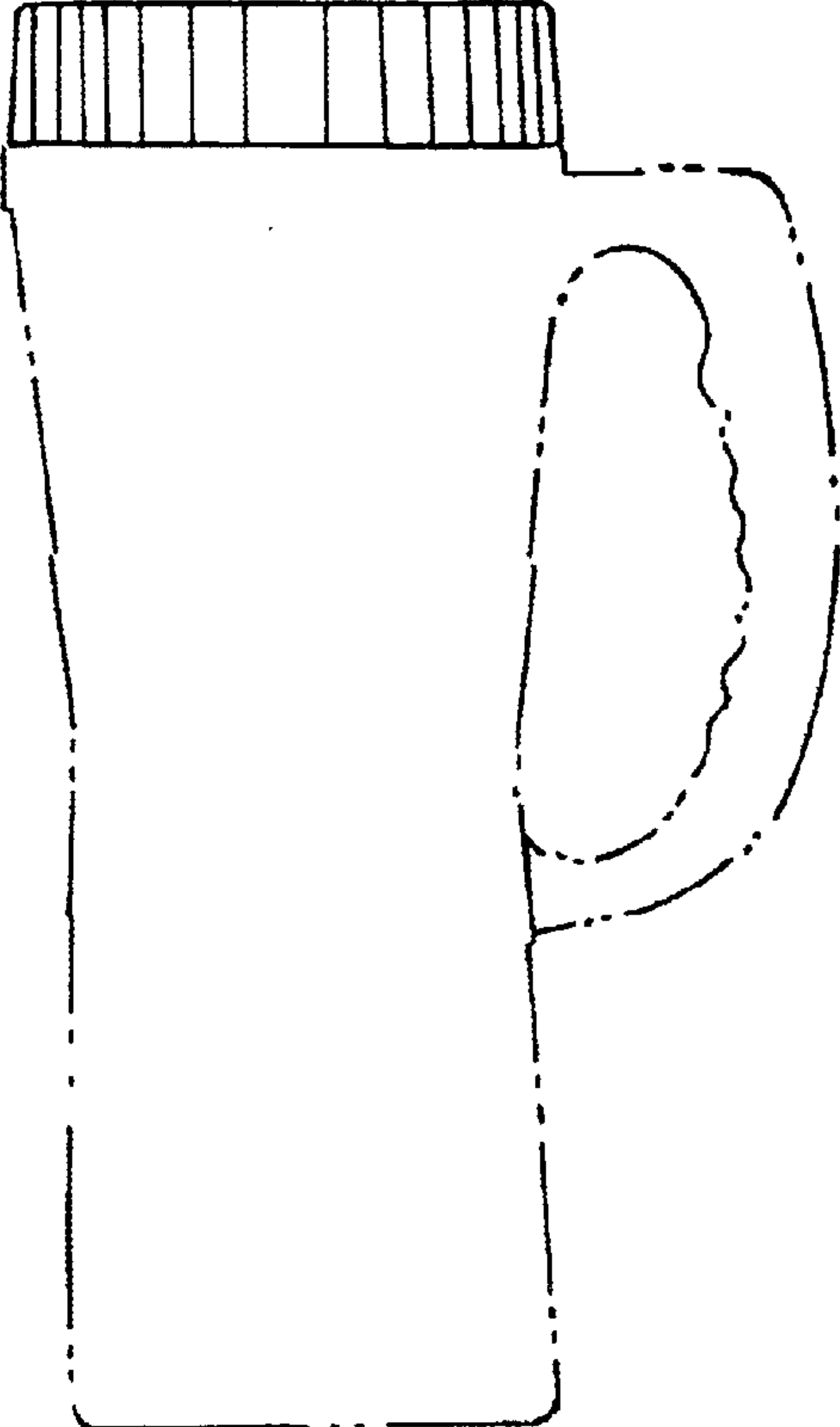


FIG. 2

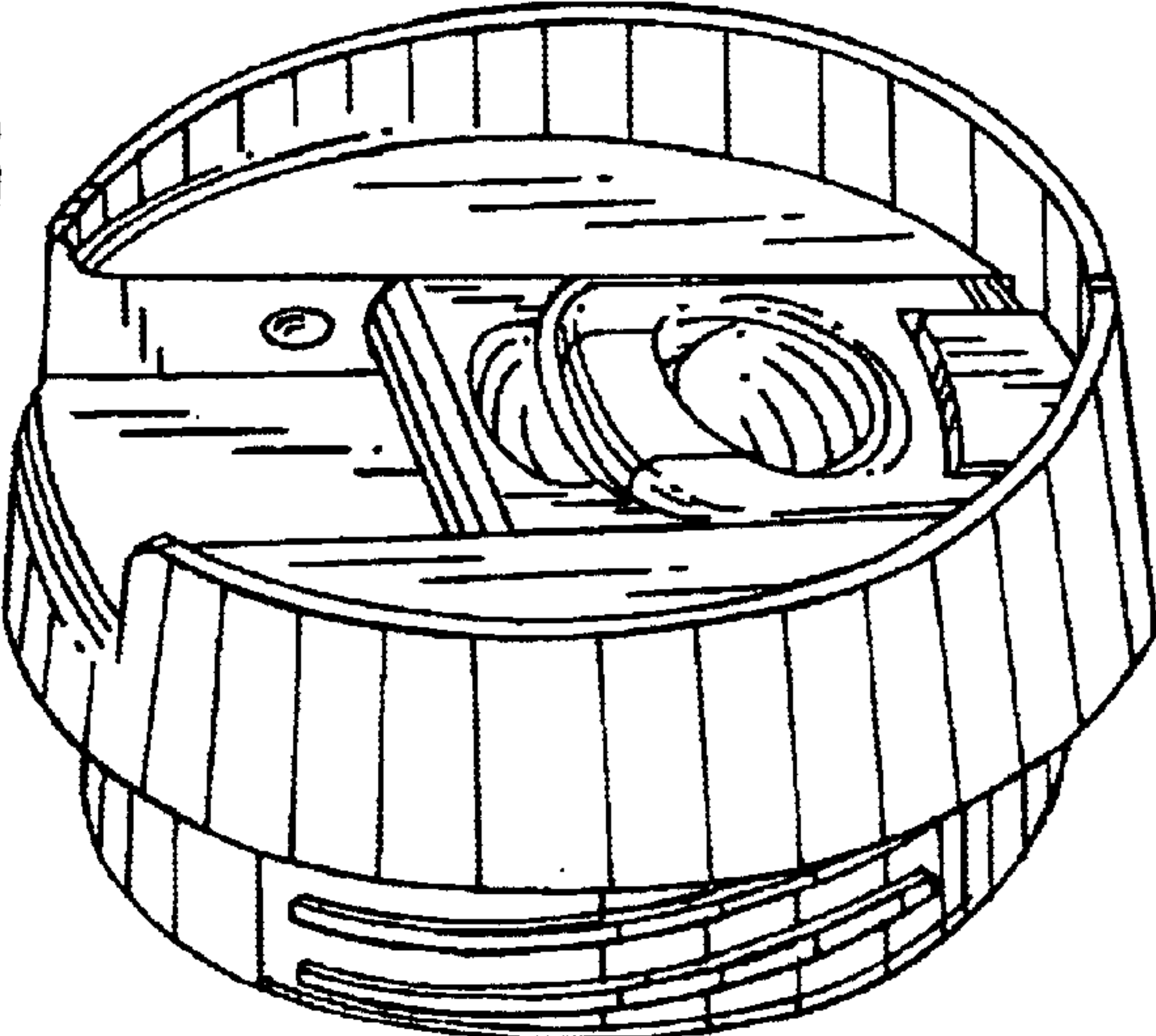


FIG. 3

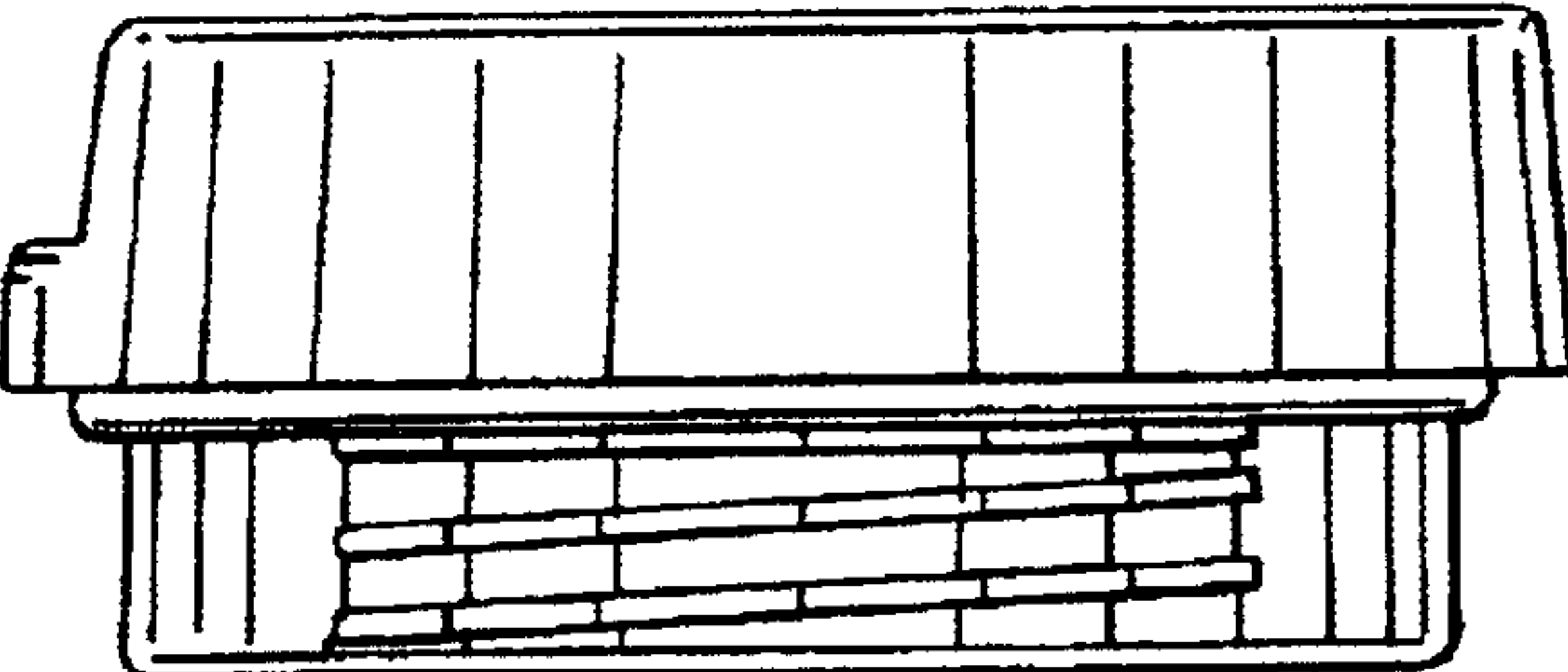


FIG. 4

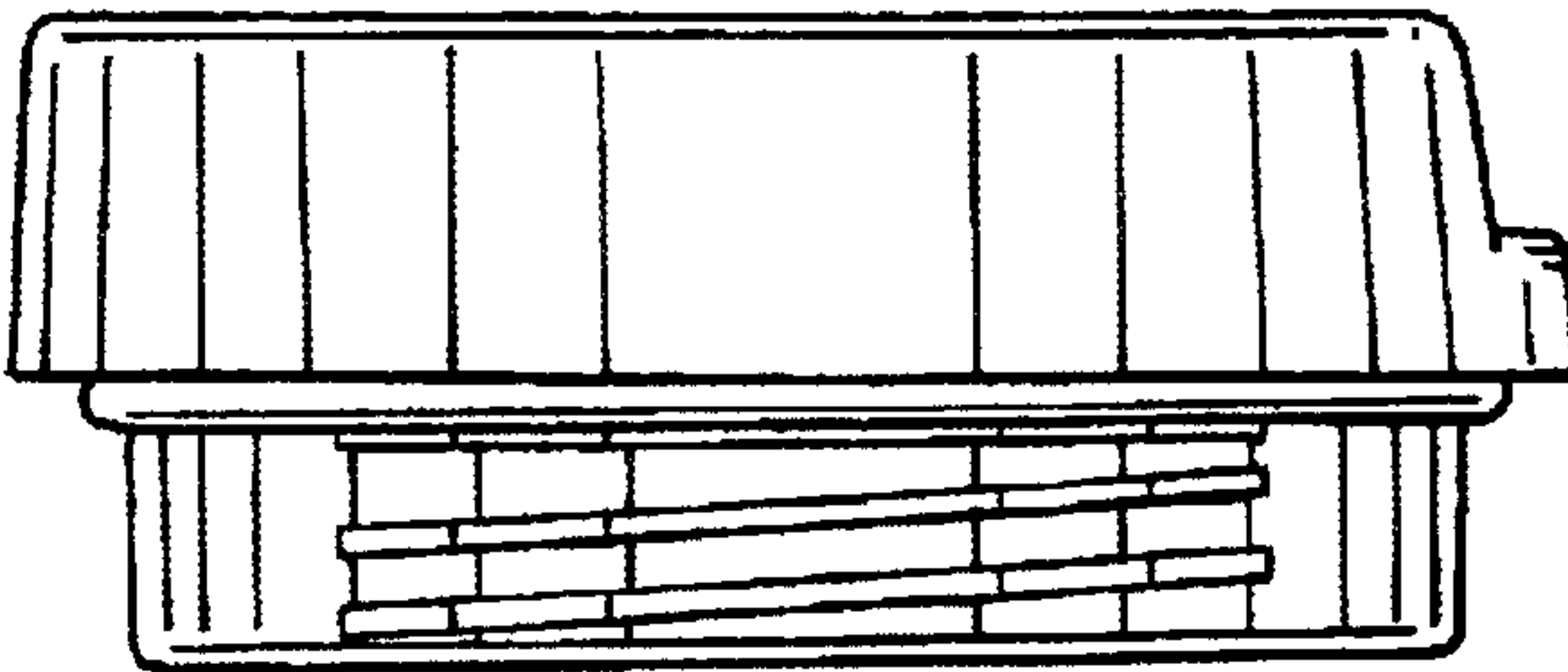


FIG. 5

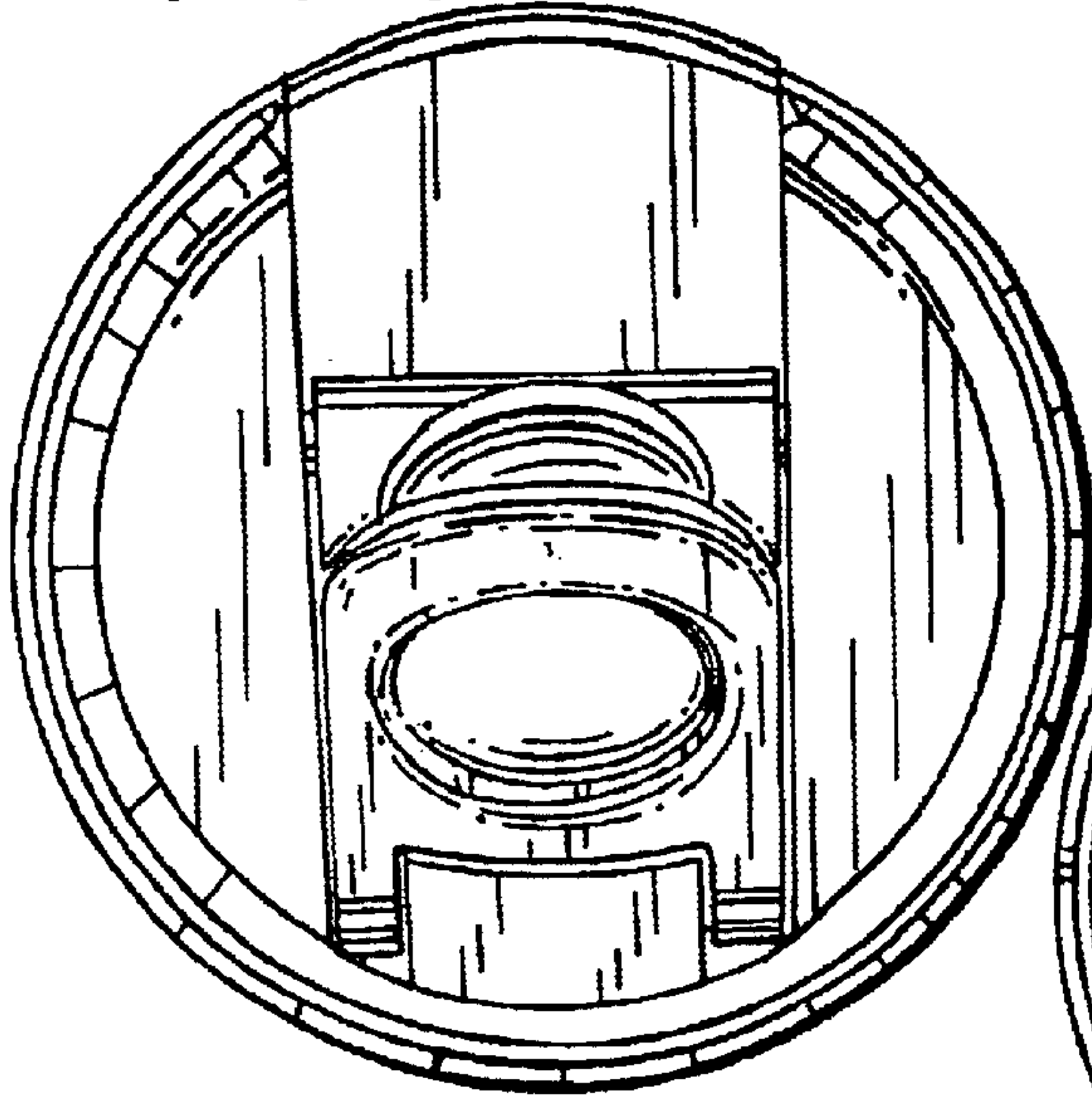


FIG. 6

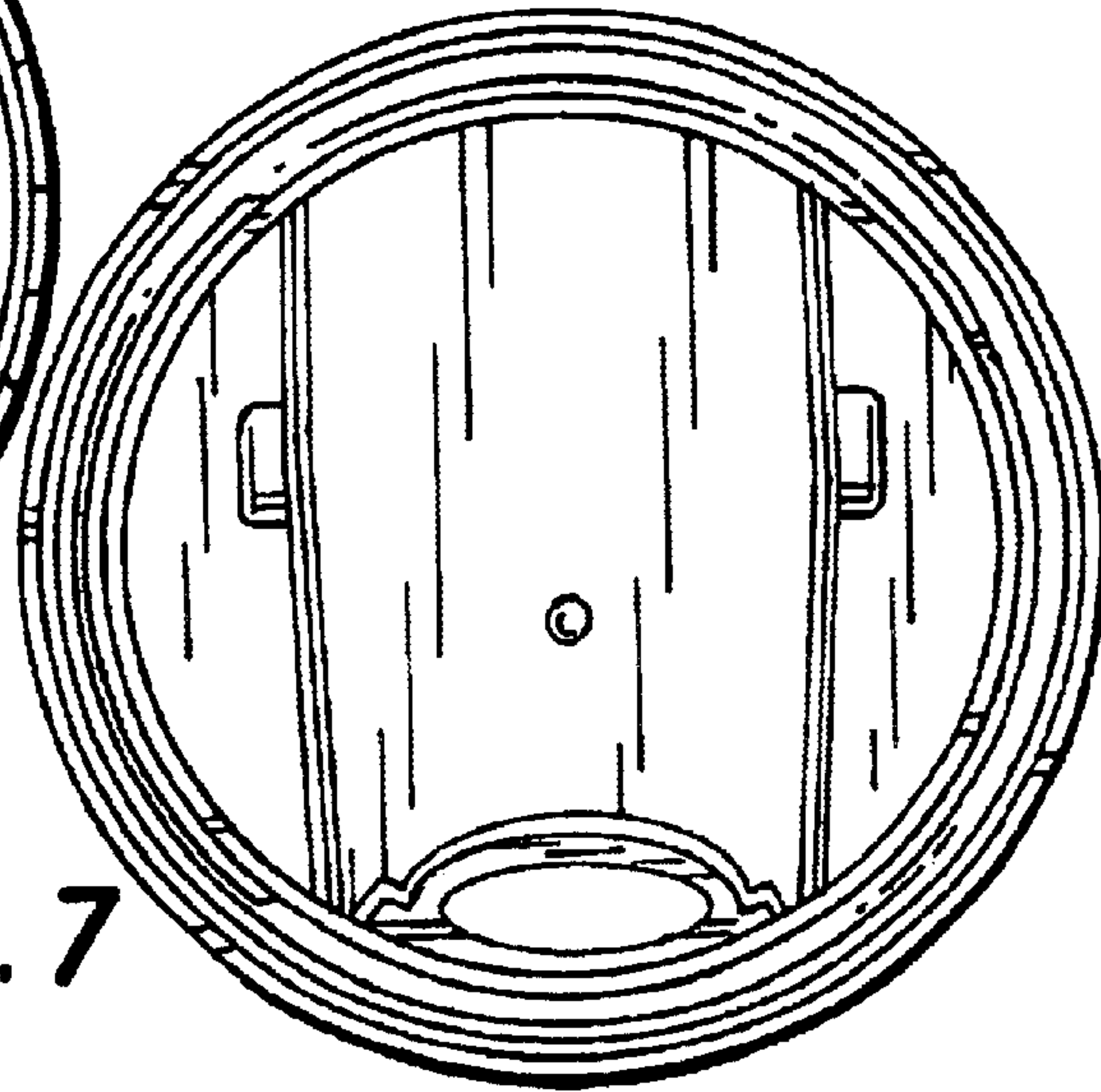


FIG. 7

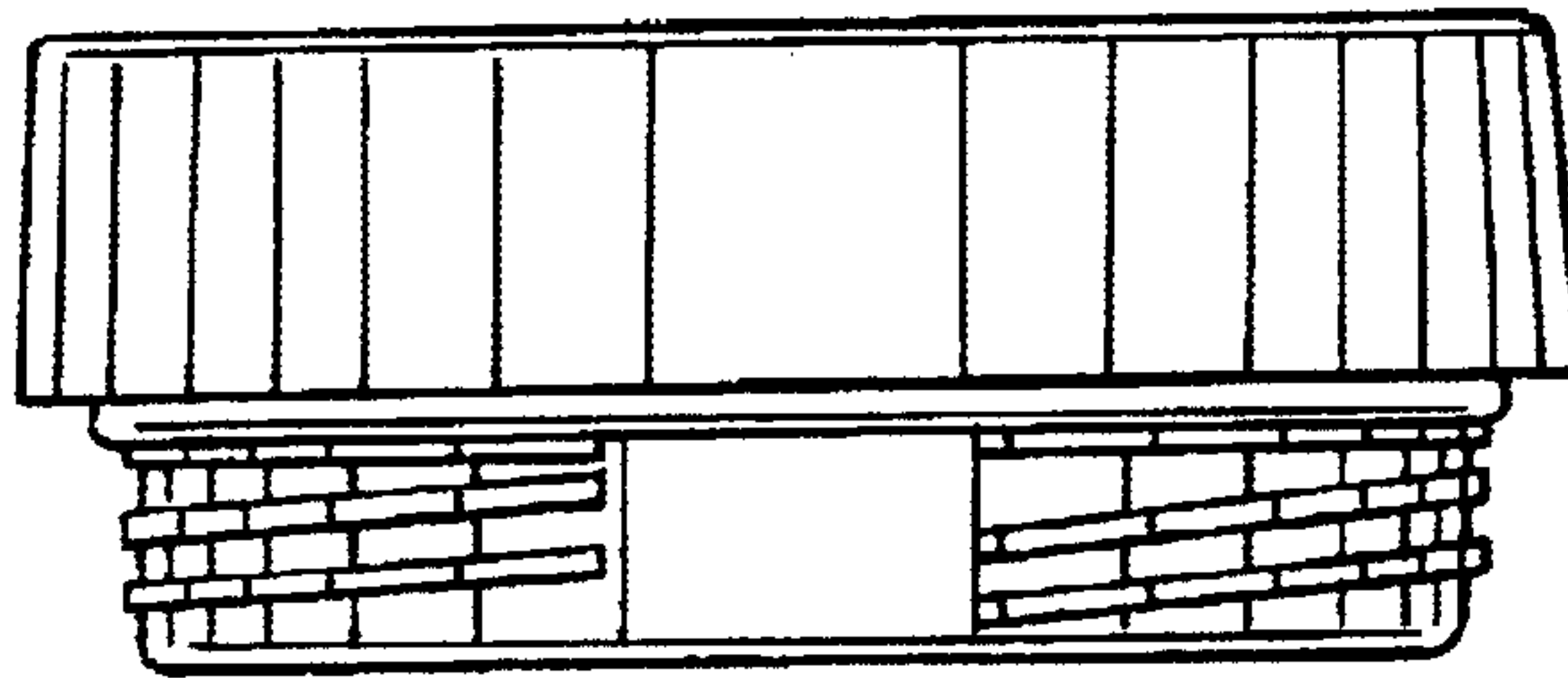


FIG. 8

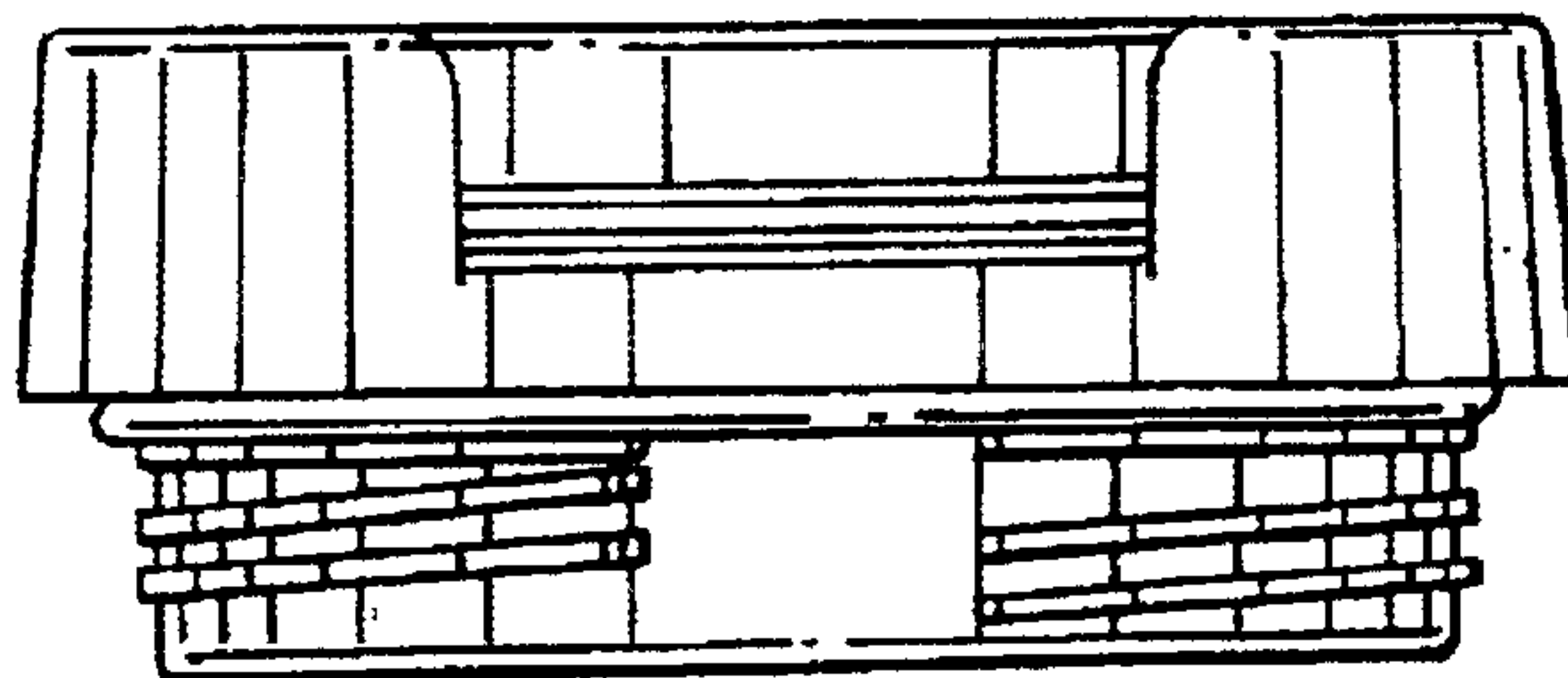




FIG. 9

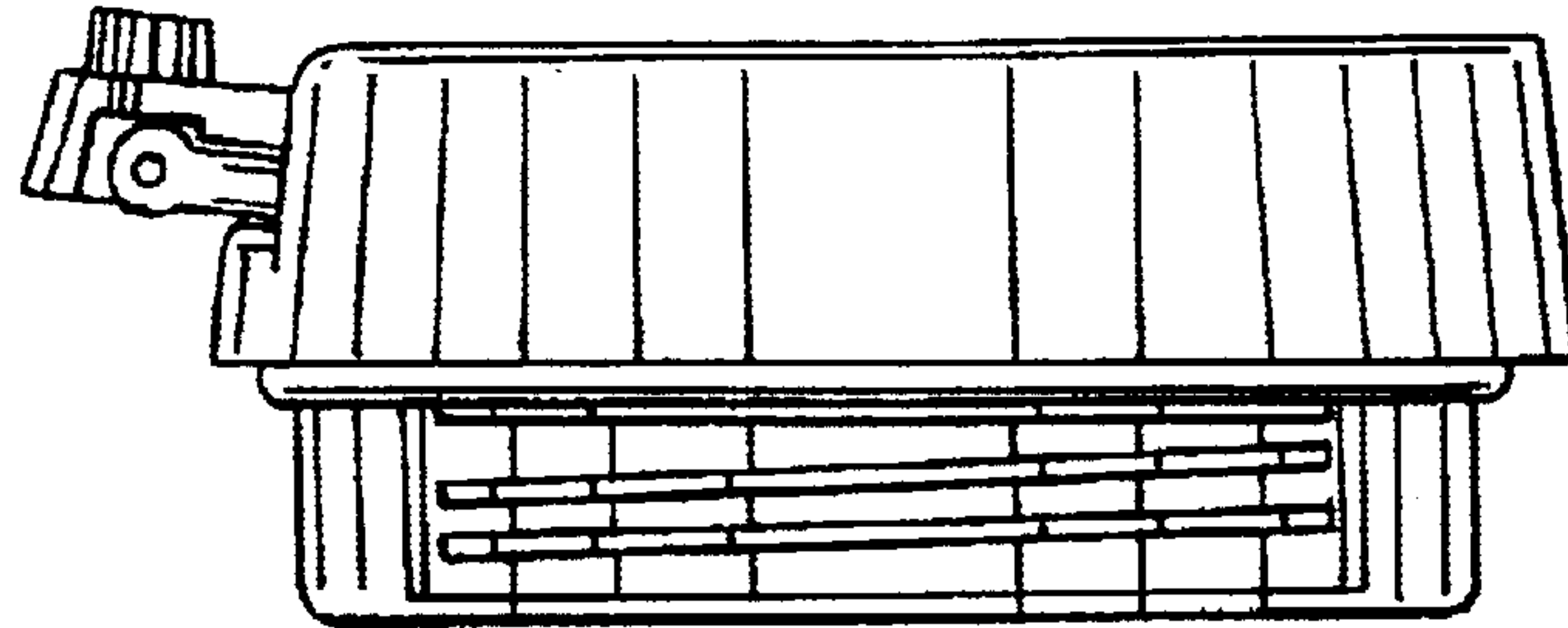


FIG. 10

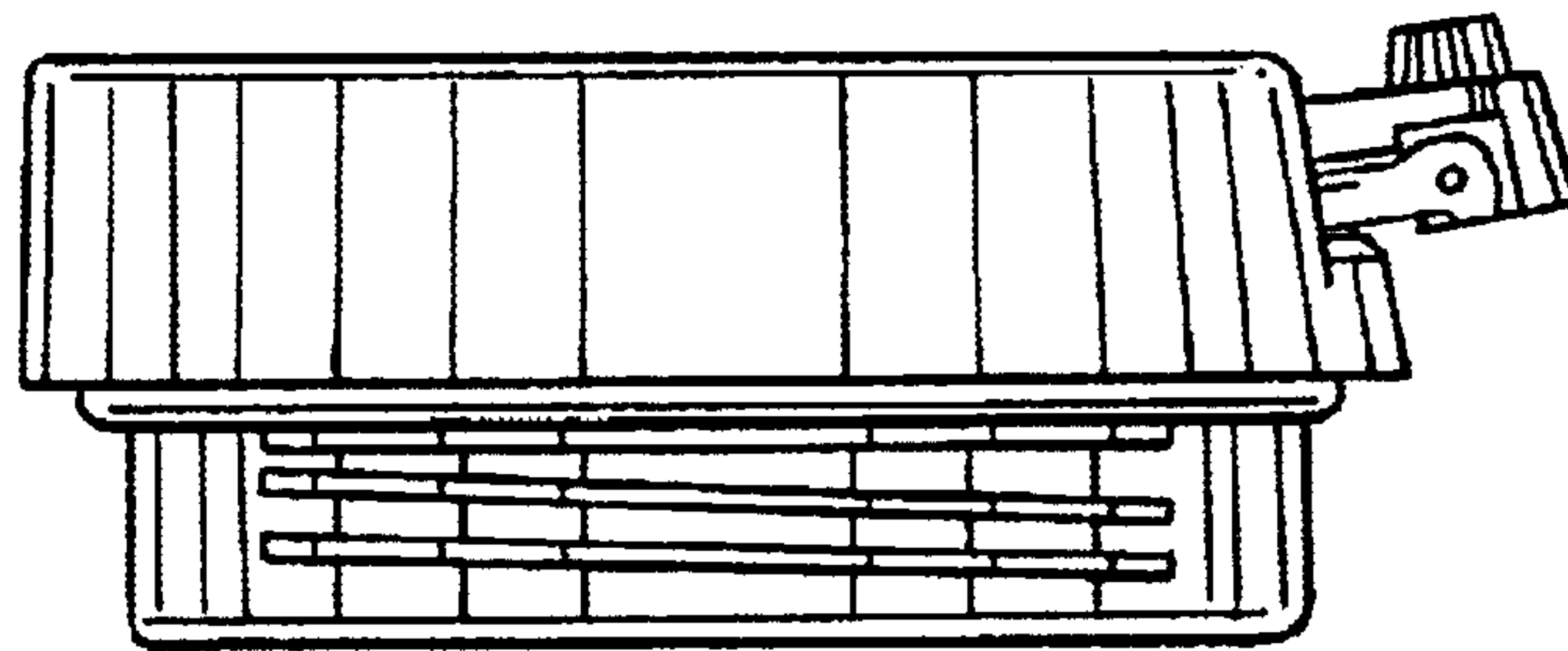


FIG. 11

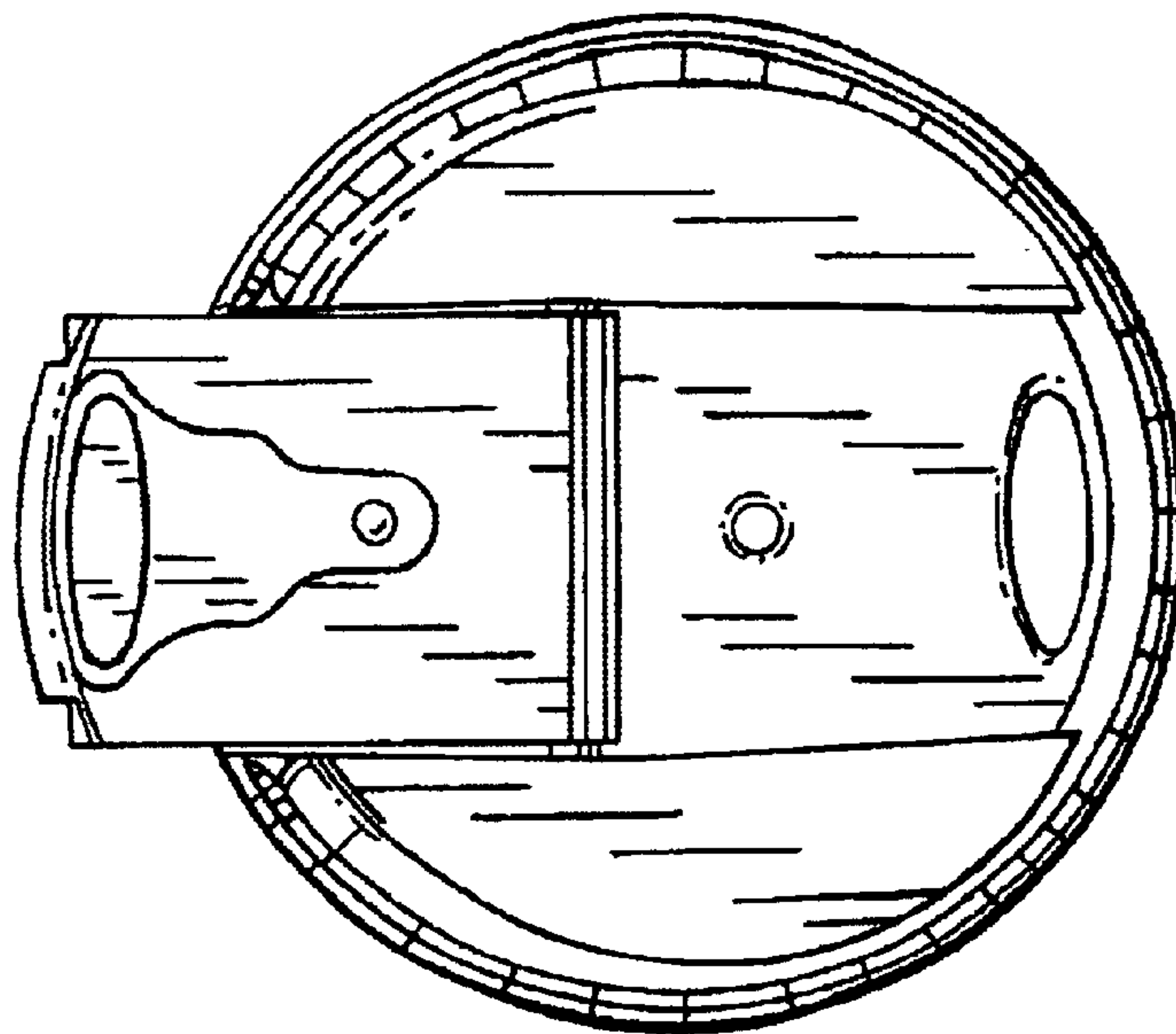


FIG. 12

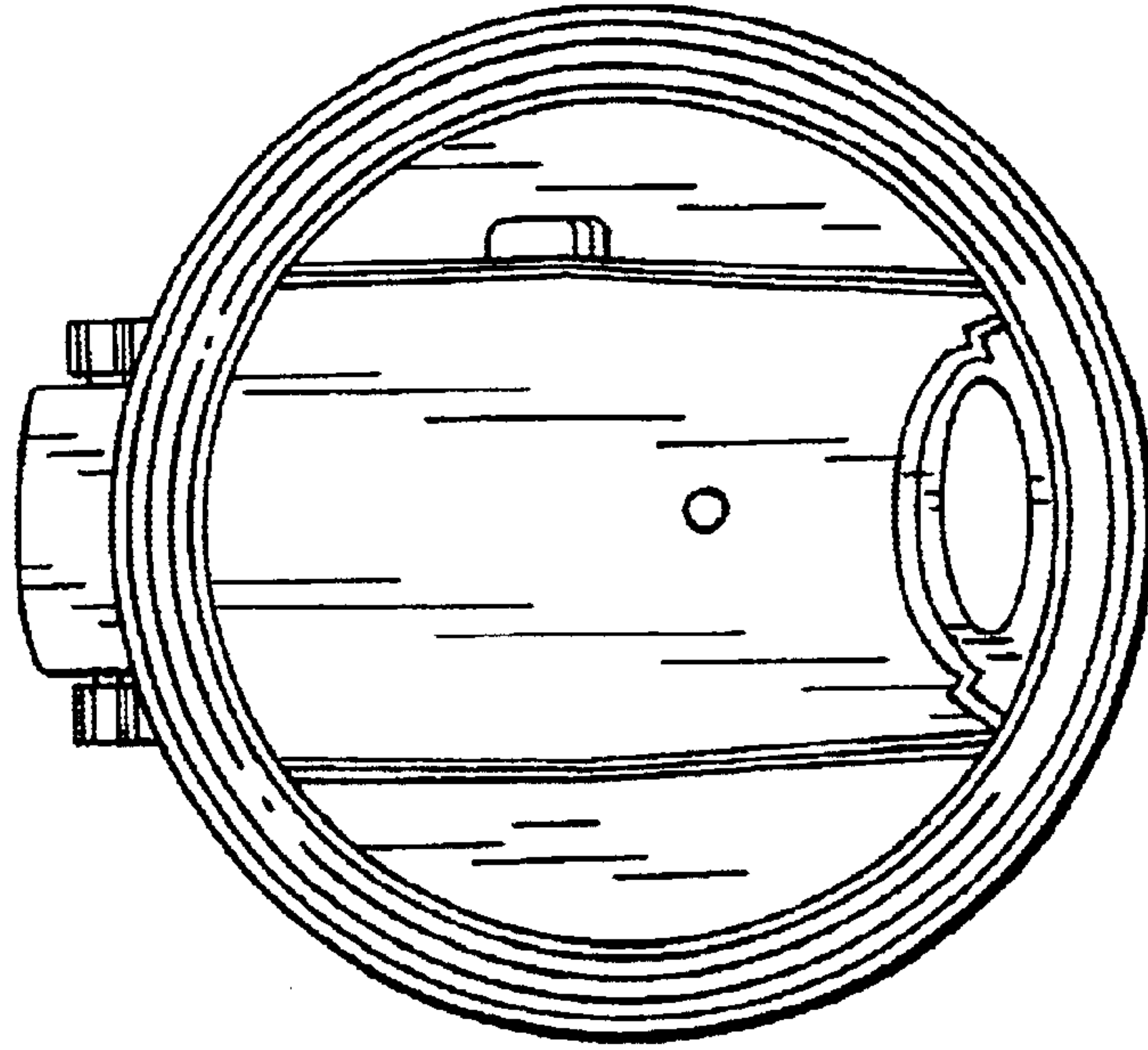


FIG. 13

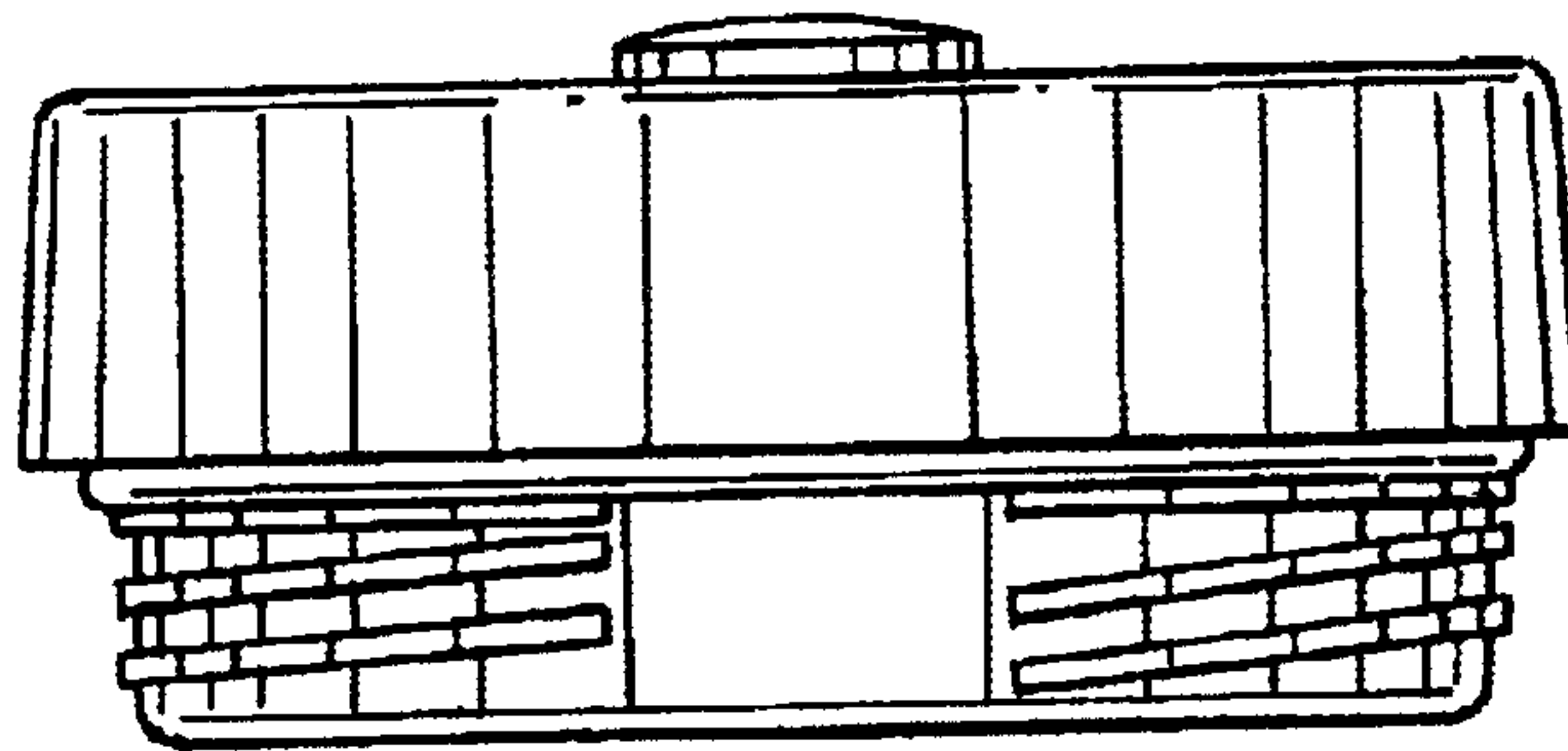


FIG. 14

