

US00D500427S

(12) **United States Design Patent**
Fung

(10) **Patent No.:** **US D500,427 S**

(45) **Date of Patent:** **** Jan. 4, 2005**

(54) **COFFEE GRINDER**

D420,248 S * 2/2000 Uemura et al. D7/373
D437,523 S * 2/2001 Glucksman et al. D7/373

(75) **Inventor:** **Mak Shek Fung, Kowloon (HK)**

* cited by examiner

(73) **Assignee:** **Conair Corporation, Stamford, CT (US)**

Primary Examiner—Catherine R. Oliver
(74) *Attorney, Agent, or Firm*—Ohlandt, Greeley, Ruggiero & Perle, LLP

(**) **Term:** **14 Years**

(57) **CLAIM**

(21) **Appl. No.:** **29/189,515**

The ornamental design for a coffee grinder, as shown and described.

(22) **Filed:** **Sep. 5, 2003**

(51) **LOC (7) Cl. 31-00**

DESCRIPTION

(52) **U.S. Cl. D7/373**

(58) **Field of Search** D7/372-373, 382-384,
D7/376, 374, 306-309; 99/286, 279, 280,
288, 290, 292, 323.3

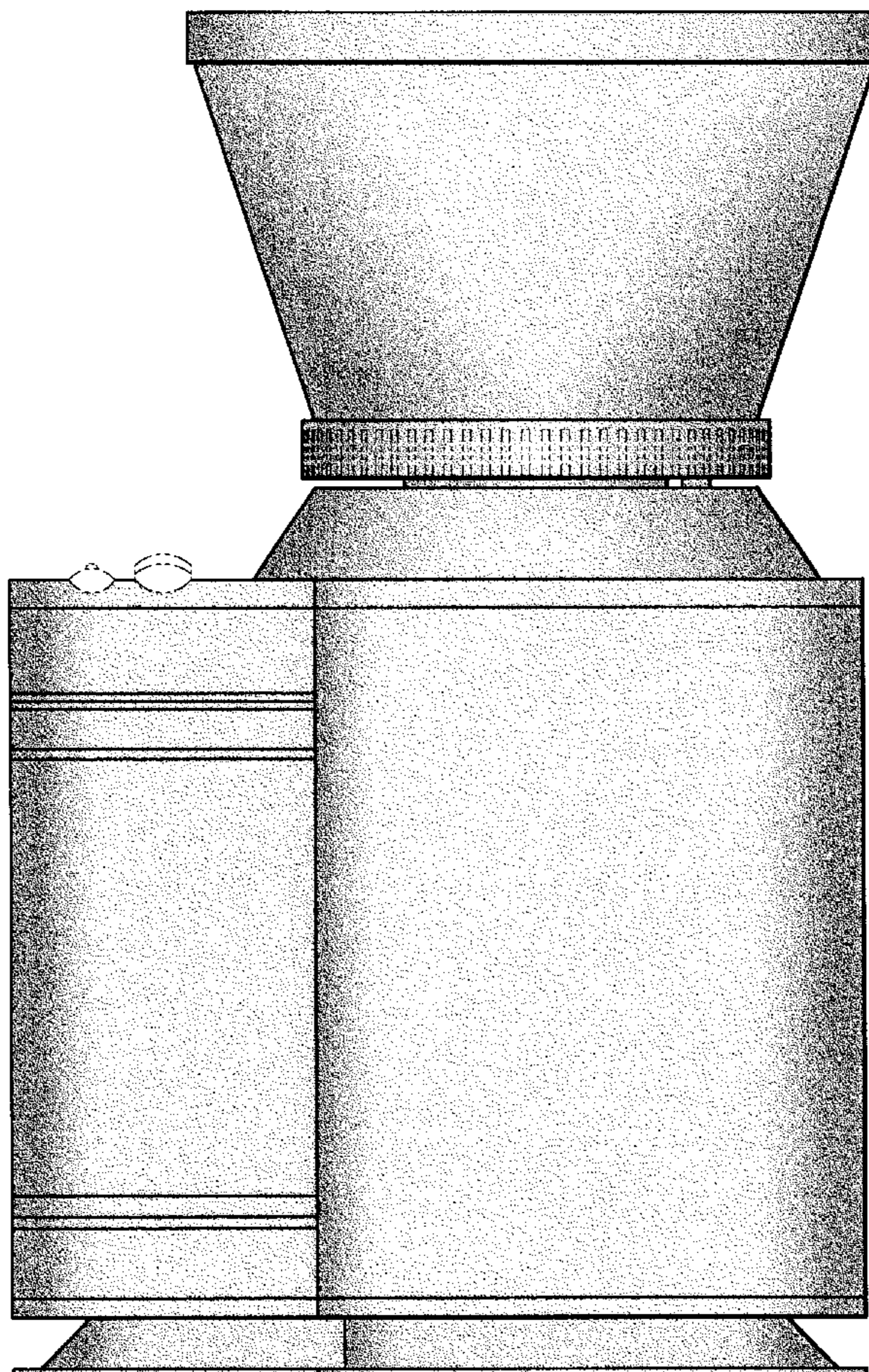
FIG. 1 is a side elevational view of a coffee grinder according to the present invention;
FIG. 2 is a rear elevational view thereof;
FIG. 3 is a front elevational view thereof;
FIG. 4 is a top view of the coffee grinder of FIG. 1; and,
FIG. 5 is a bottom view of the coffee grinder of FIG. 1.
The broken lines identify objects that form no part of the claimed design.

(56) **References Cited**

U.S. PATENT DOCUMENTS

D353,075 S * 12/1994 Littmann et al. D7/373
D389,010 S * 1/1998 Joergensen D7/373

1 Claim, 4 Drawing Sheets



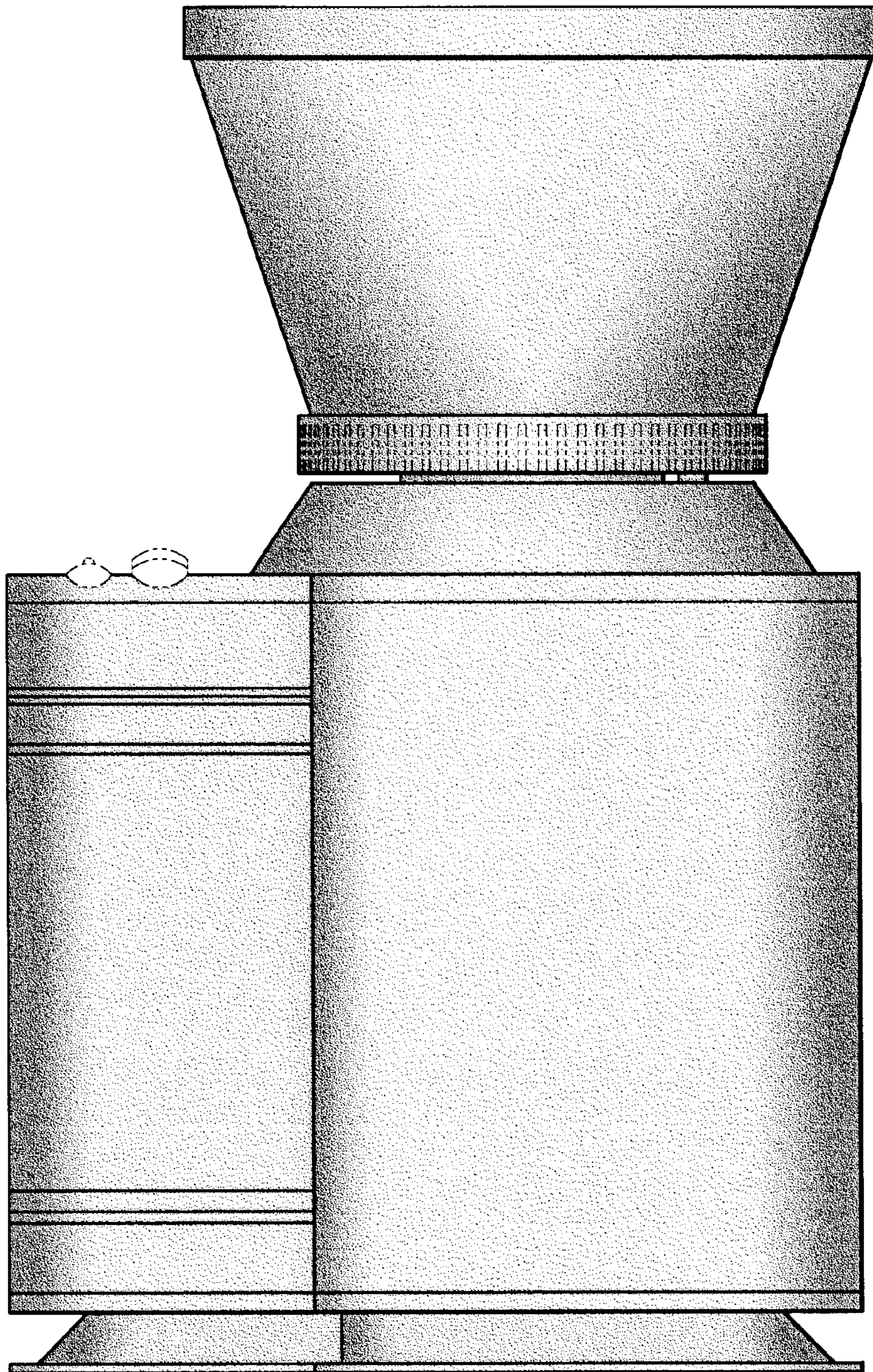


FIG. 1

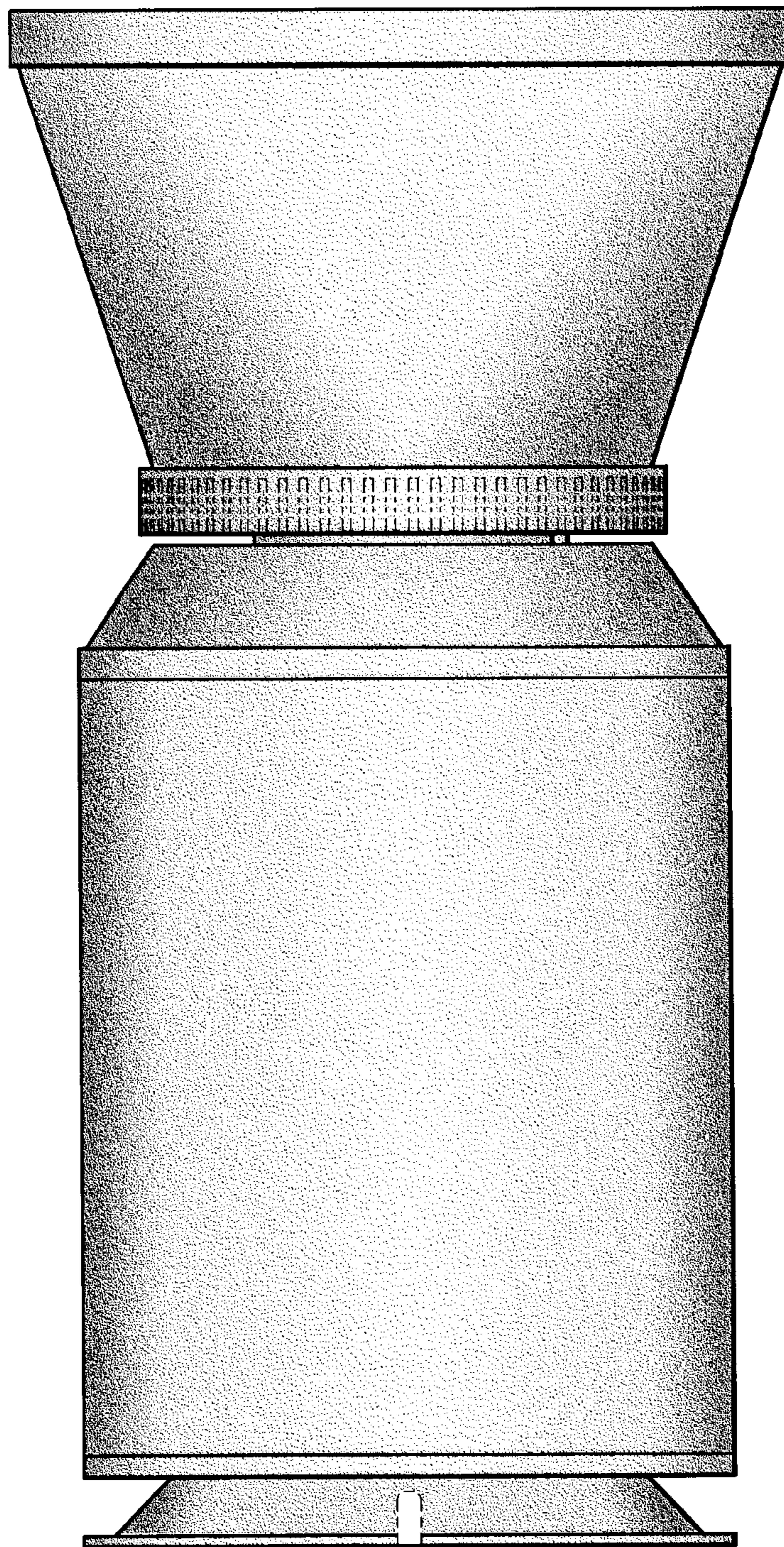


FIG. 2

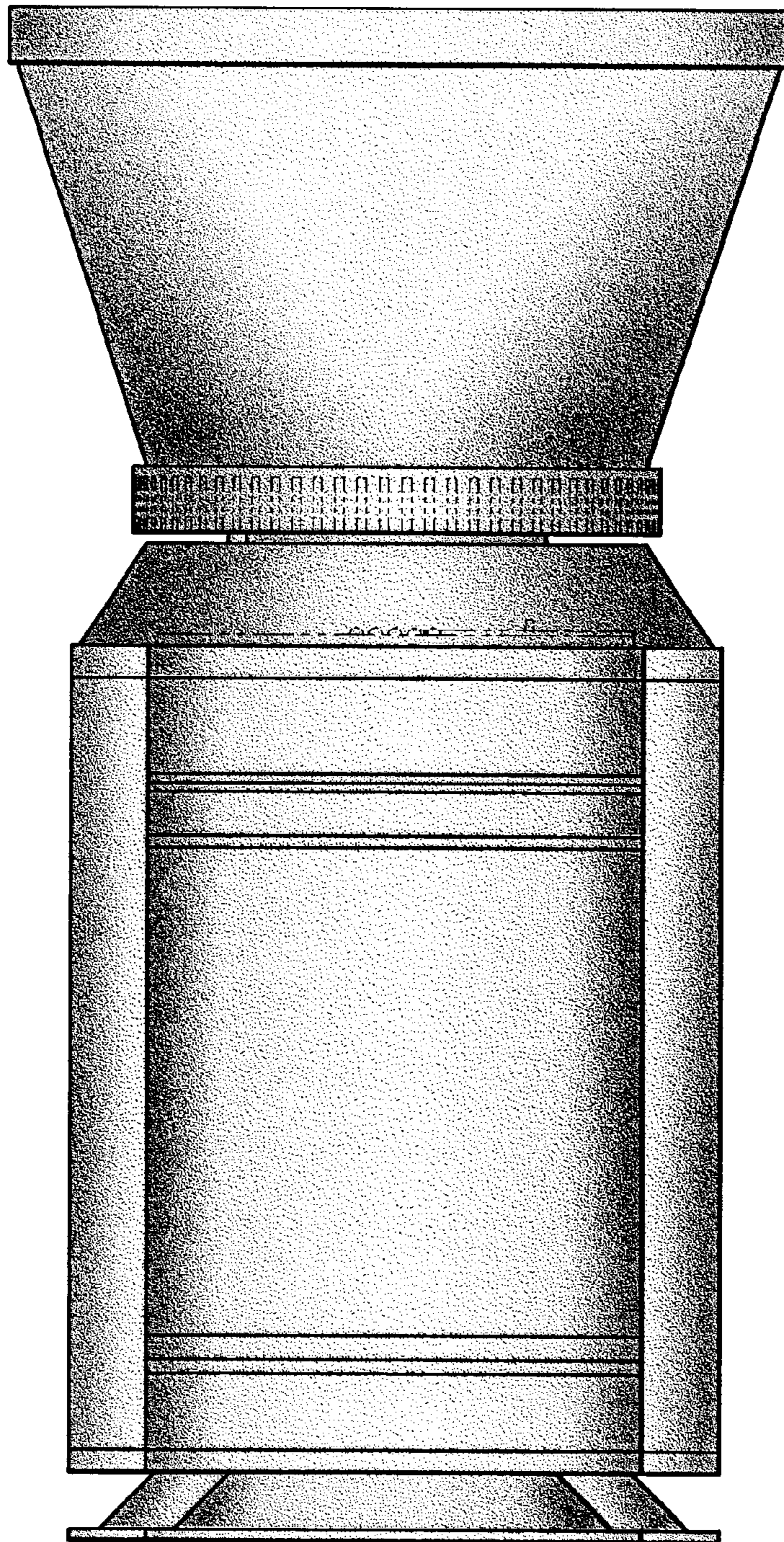


FIG. 3

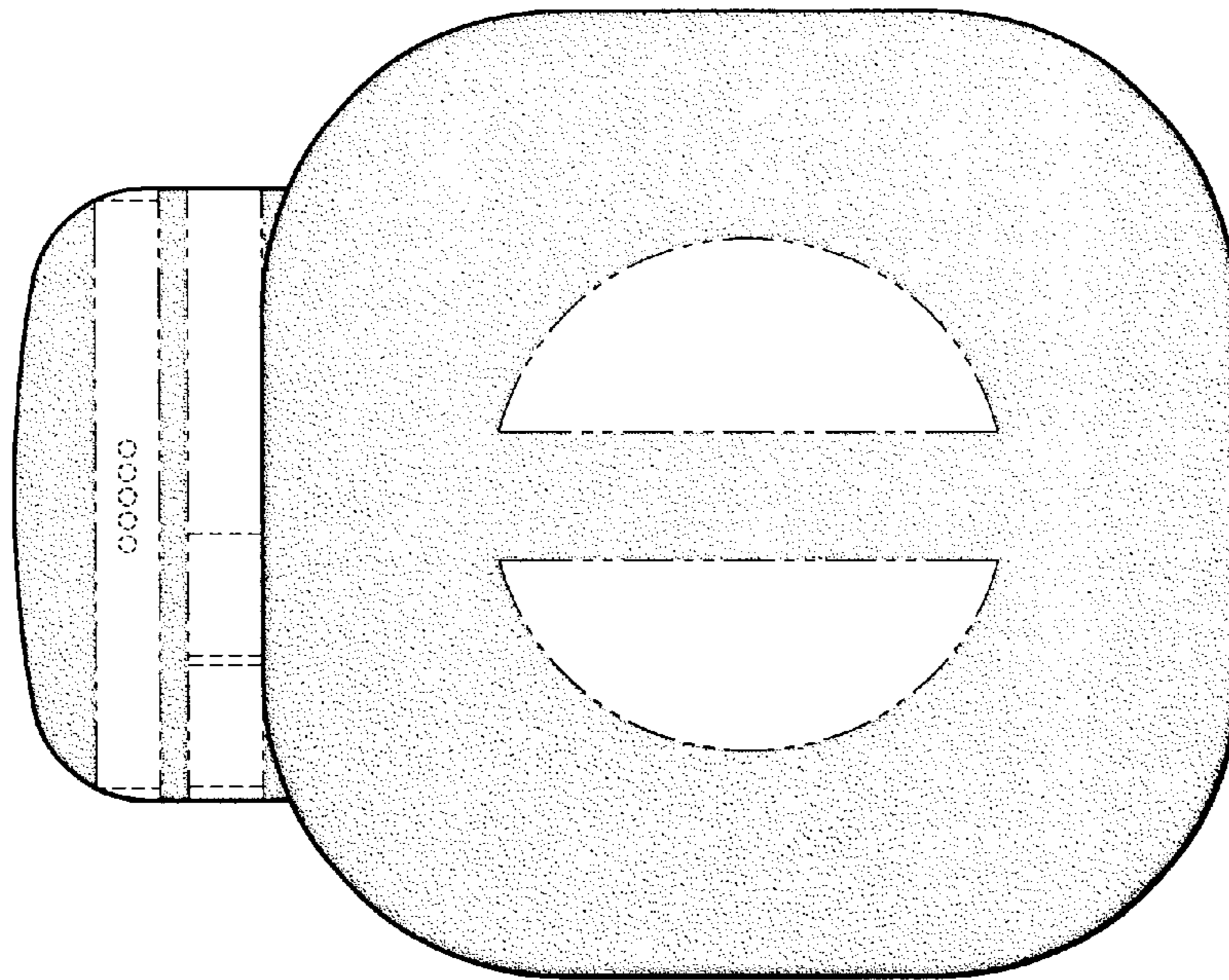


FIG. 4

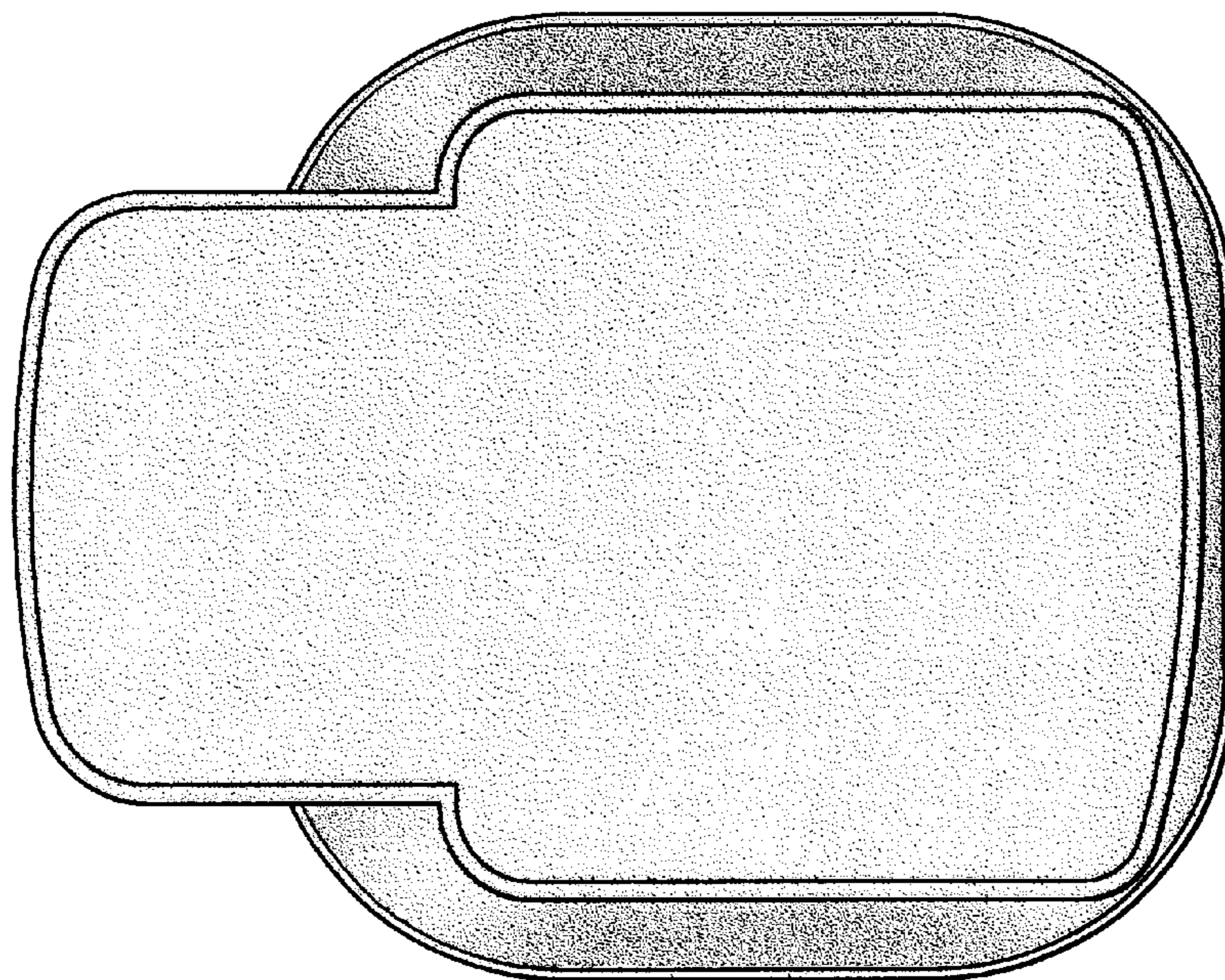


FIG. 5