

US00D500419S

(12) **United States Design Patent**  
**Sparkowski**

(10) **Patent No.:** **US D500,419 S**  
(45) **Date of Patent:** **\*\* Jan. 4, 2005**

(54) **MODULAR FLOOR STAND**

(75) **Inventor:** **Robert P. Sparkowski**, Schaumburg, IL (US)

(73) **Assignee:** **Chicago Display Marketing Corporation**, Melrose Park, IL (US)

(\*\*) **Term:** **14 Years**

(21) **Appl. No.:** **29/199,826**

(22) **Filed:** **Feb. 19, 2004**

(51) **LOC (7) Cl.** ..... **06-04**

(52) **U.S. Cl.** ..... **D6/465**

(58) **Field of Search** ..... D6/396, 405, 449, D6/462-468, 473, 475, 476, 514, 552, 558, 574; 211/13.1, 71.01, 85.31, 106, 119, 119.003, 119.009, 124, 133.1, 133.2, 134, 153, 169, 181.1, 187, 190

(56) **References Cited**

**U.S. PATENT DOCUMENTS**

D89,907 S	*	5/1933	McGarry	.....	D6/474
D114,228 S	*	4/1939	May	.....	D6/474
D130,415 S	*	11/1941	Pitner et al.	.....	D6/473
D154,111 S	*	6/1949	Falkenberg	.....	D6/464
D184,190 S	*	12/1958	McCowan	.....	D6/463

\* cited by examiner

*Primary Examiner*—Stacia Cadmus

*Assistant Examiner*—Mimosa De

(74) *Attorney, Agent, or Firm*—Vedder Price Kaufman & Kammholz

(57) **CLAIM**

The ornamental design of the modular floor stand, as shown and described.

**DESCRIPTION**

FIG. 1 is a perspective view of the modular floor stand showing a first embodiment of my new design;

FIG. 2 is a front view thereof;

FIG. 3 is a back view thereof;

FIG. 4 is one side view thereof;

FIG. 5 is the other side view thereof;

FIG. 6 is a top view thereof;

FIG. 7 is a bottom view thereof;

FIG. 8 is perspective view of a second embodiment of my invention;

FIG. 9 is a front view FIG. 8;

FIG. 10 is a back view FIG. 8;

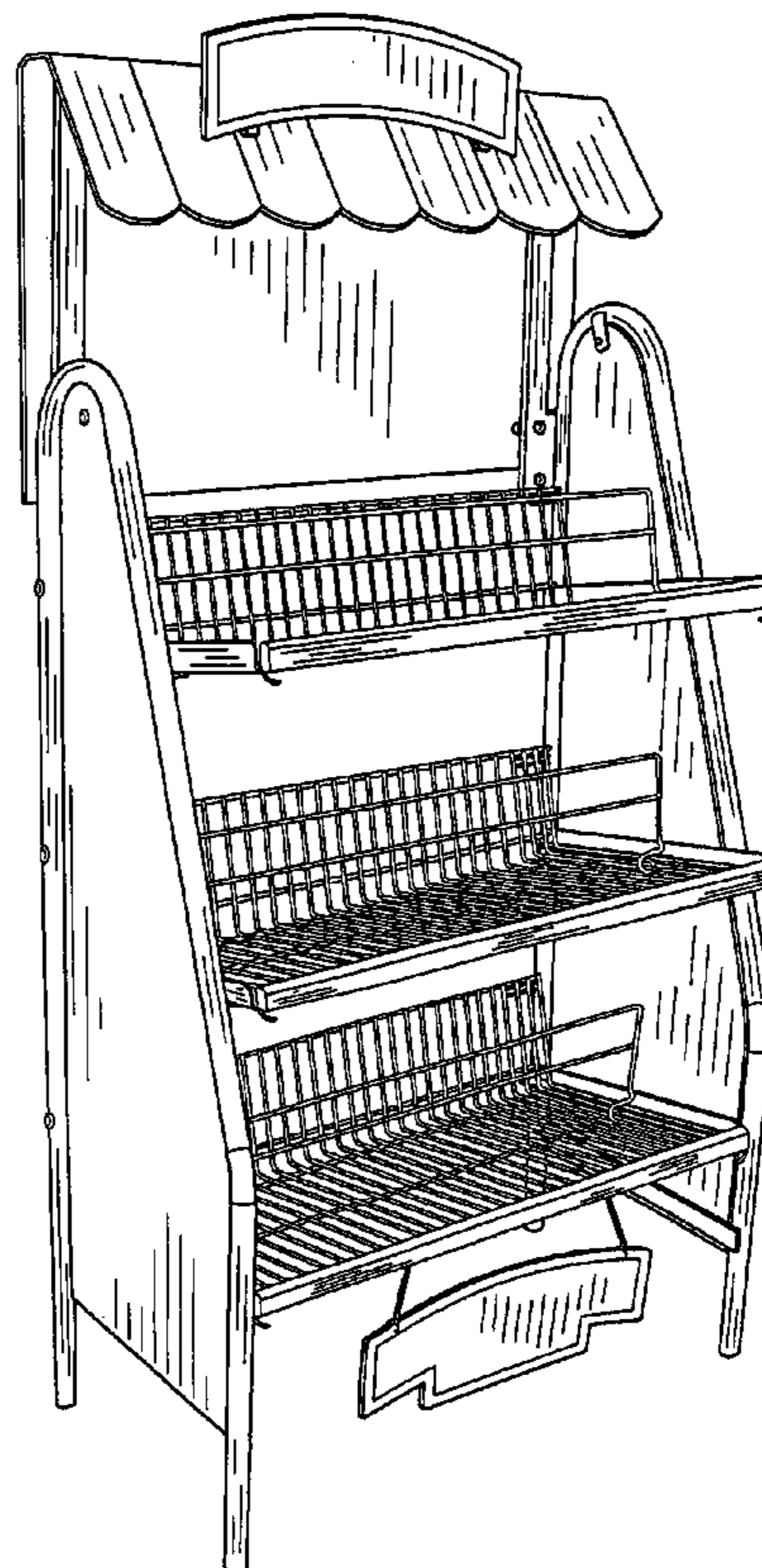
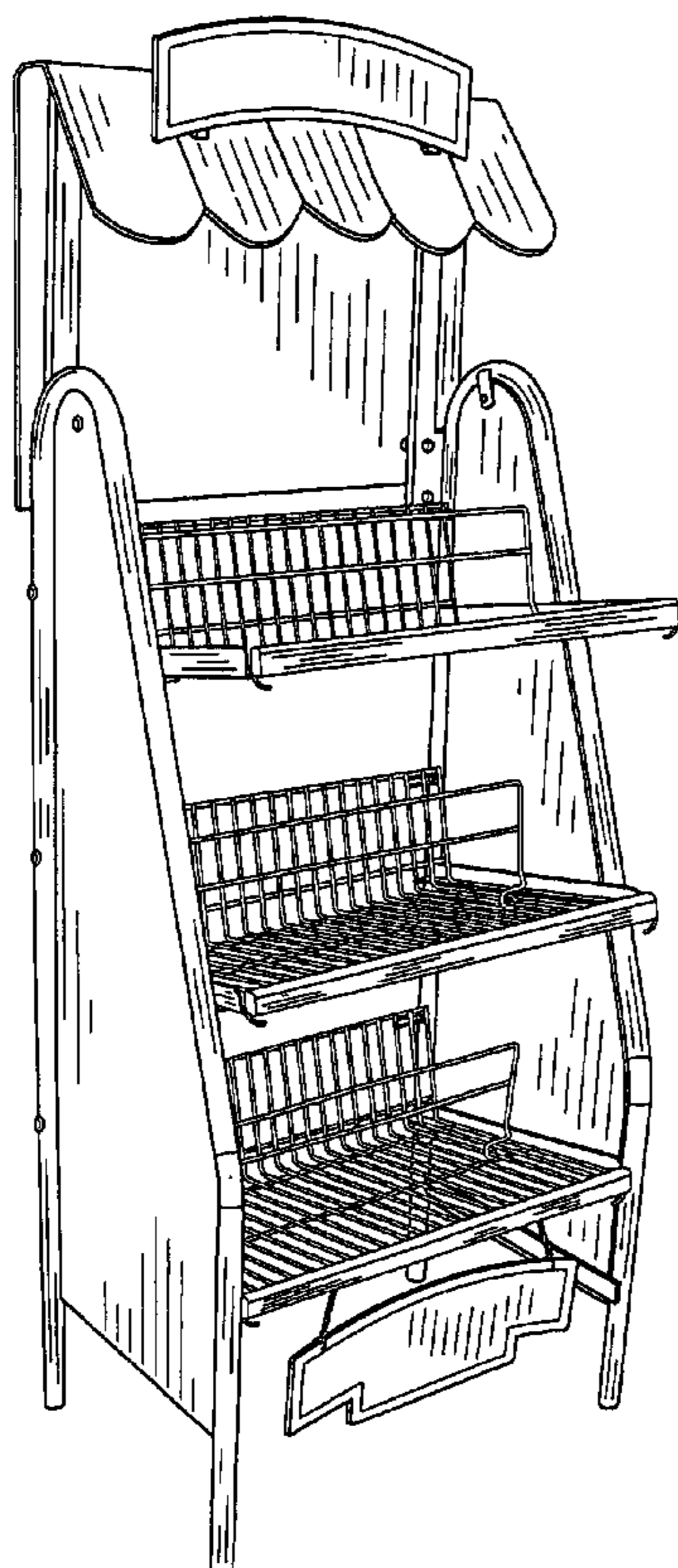
FIG. 11 is one side view FIG. 8;

FIG. 12 is the other side view FIG. 8;

FIG. 13 is a top view FIG. 8; and,

FIG. 14 is a bottom view FIG. 8.

**1 Claim, 10 Drawing Sheets**



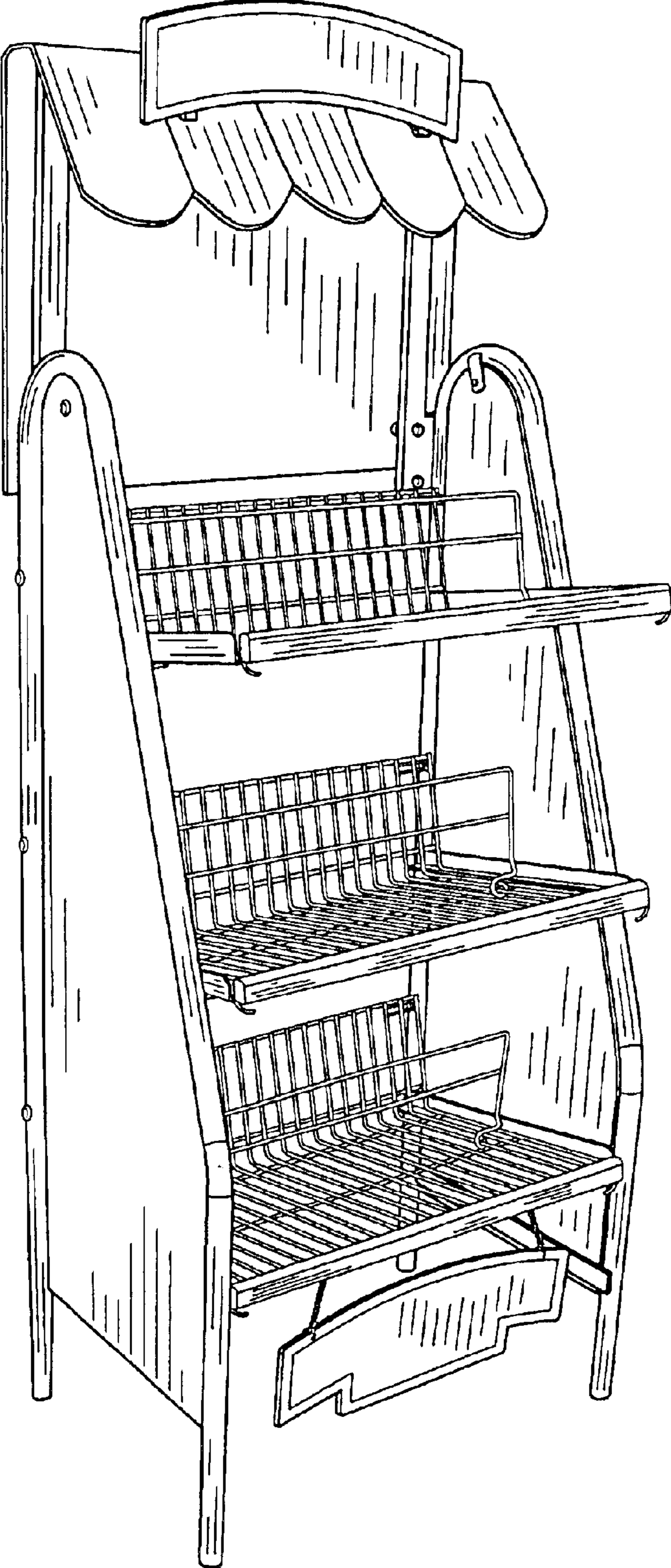


FIG. 1

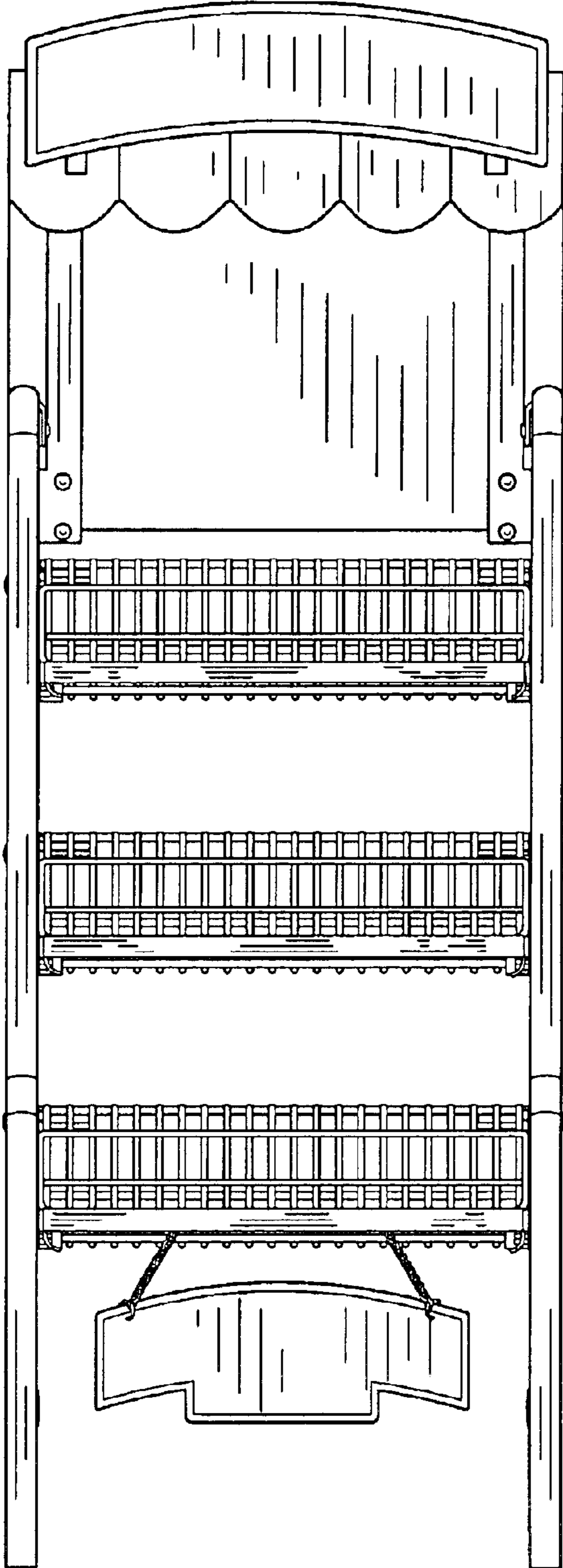


FIG. 2

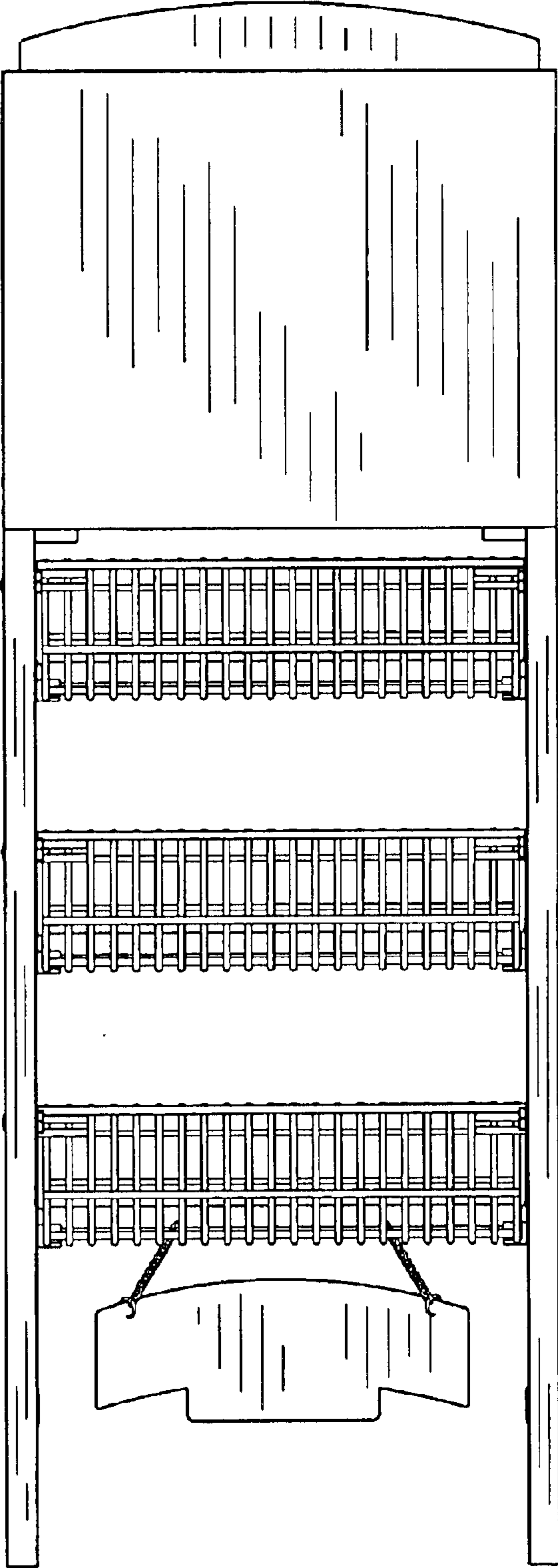


FIG. 3



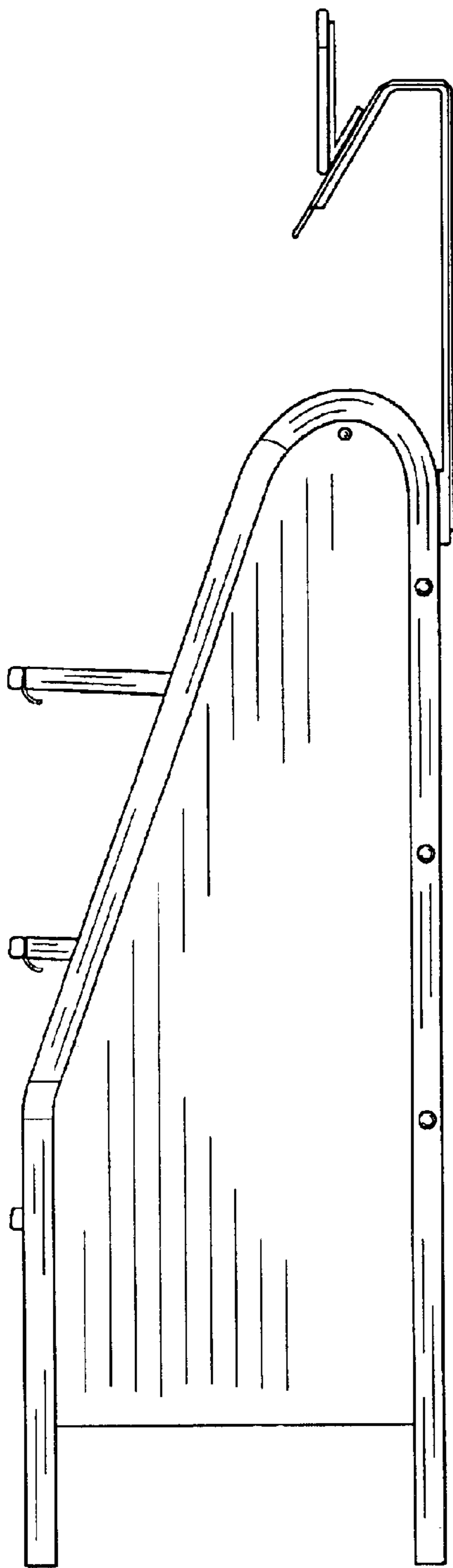


FIG. 4

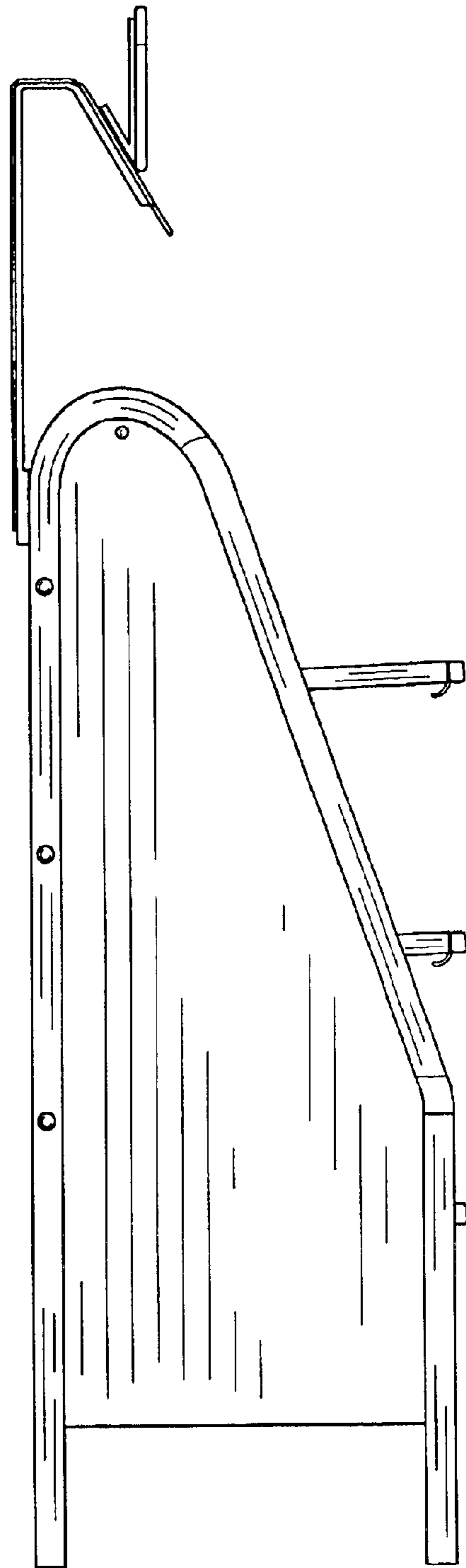


FIG. 5

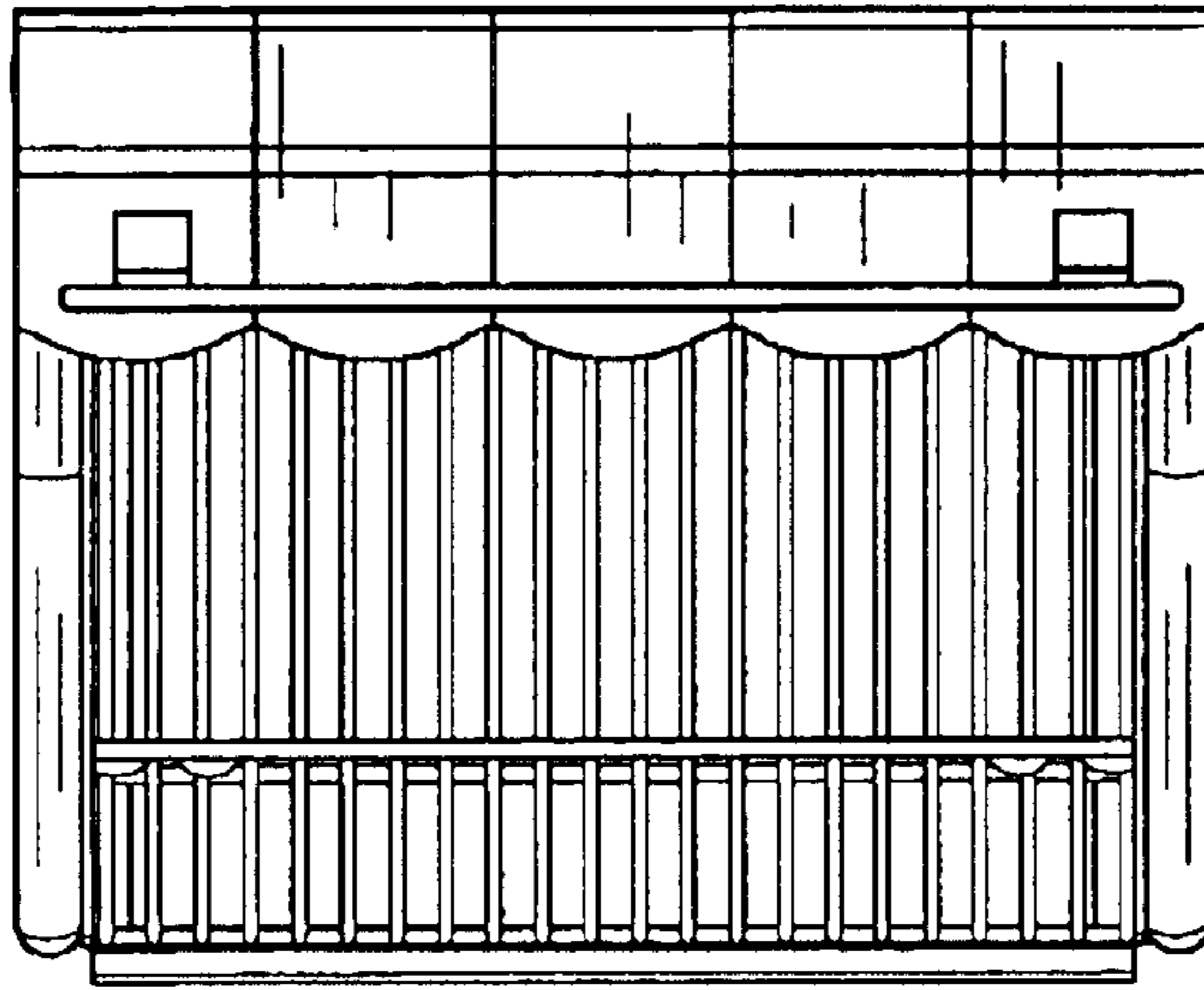


FIG. 6

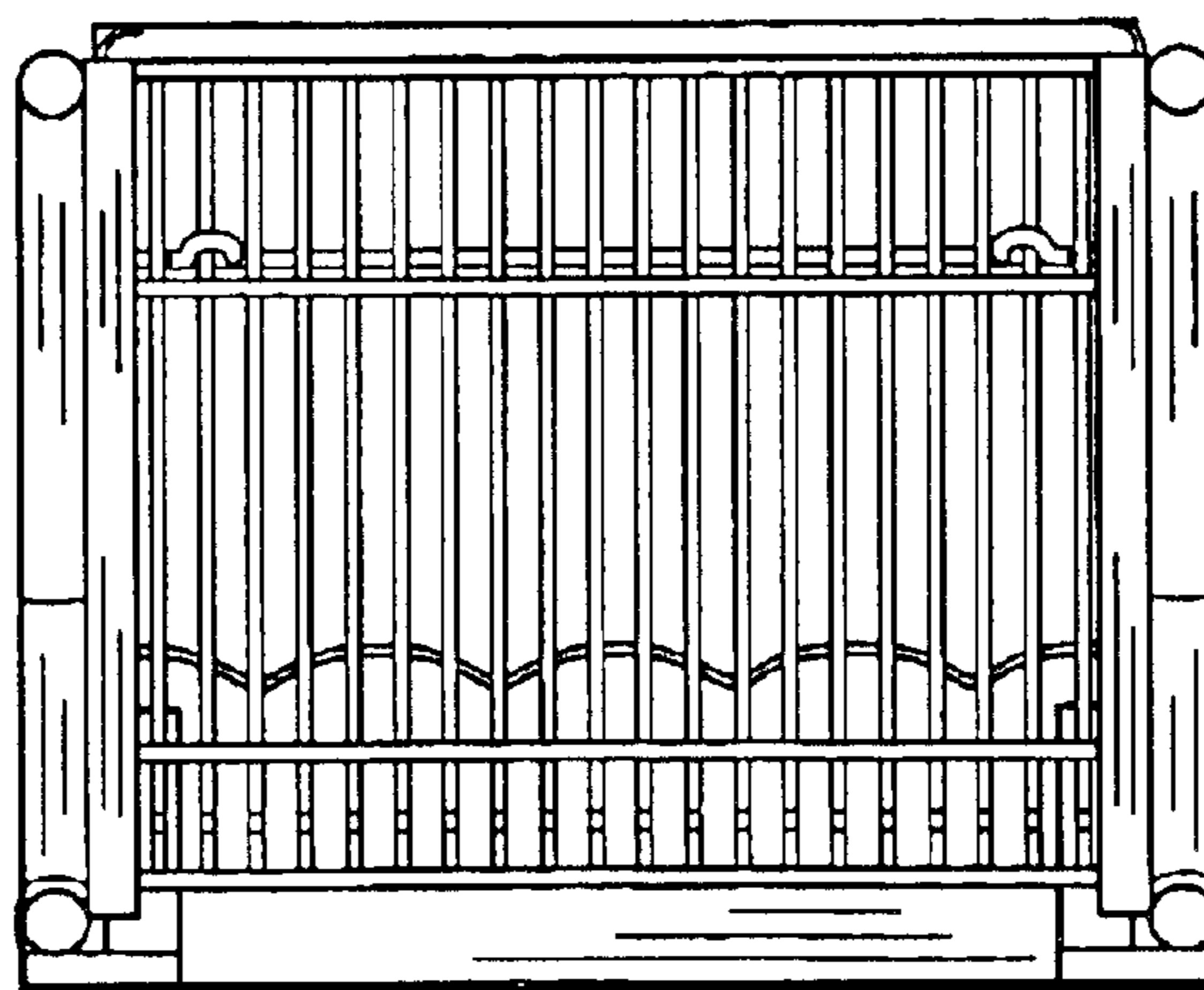


FIG. 7

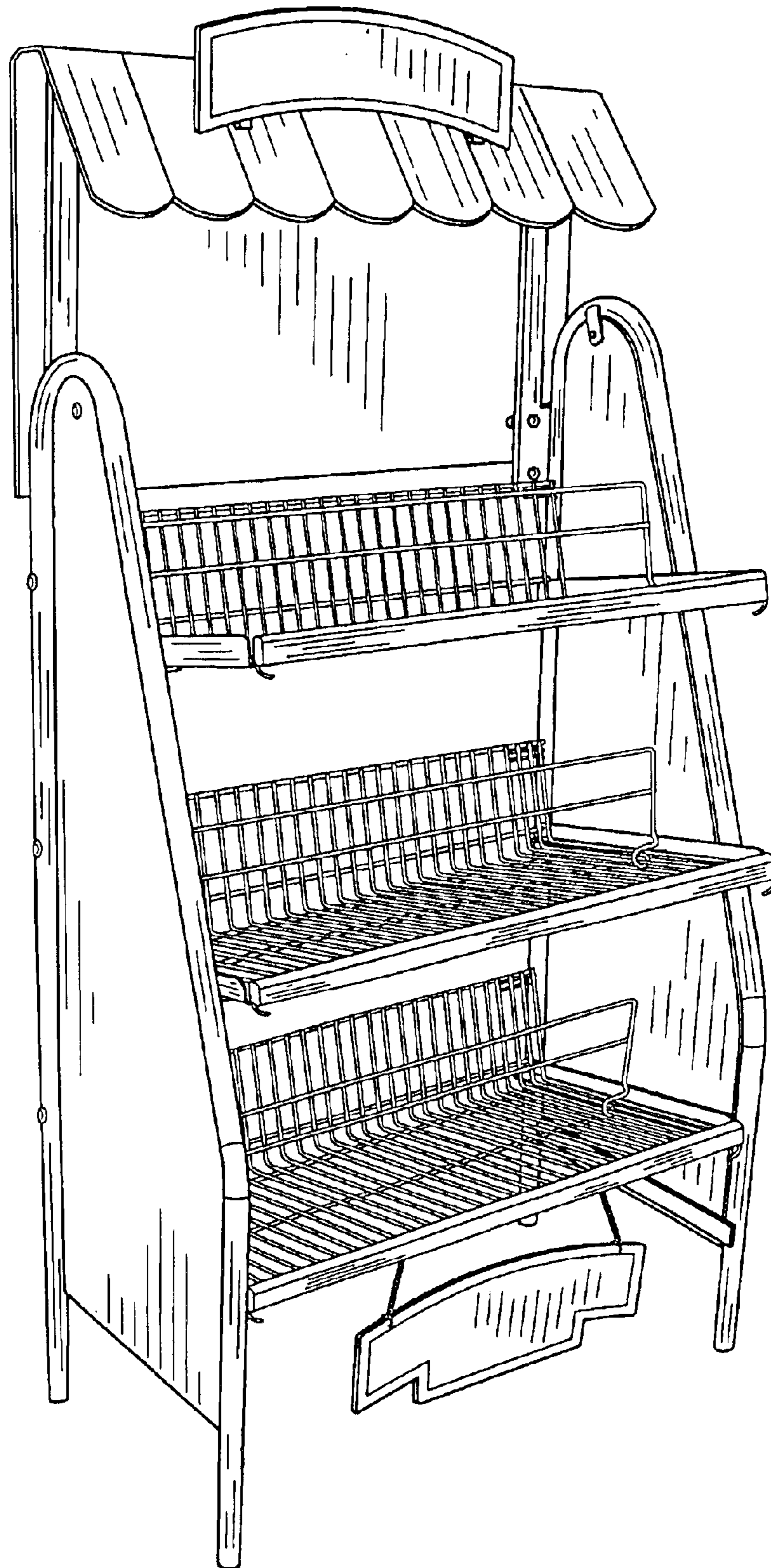


FIG. 8

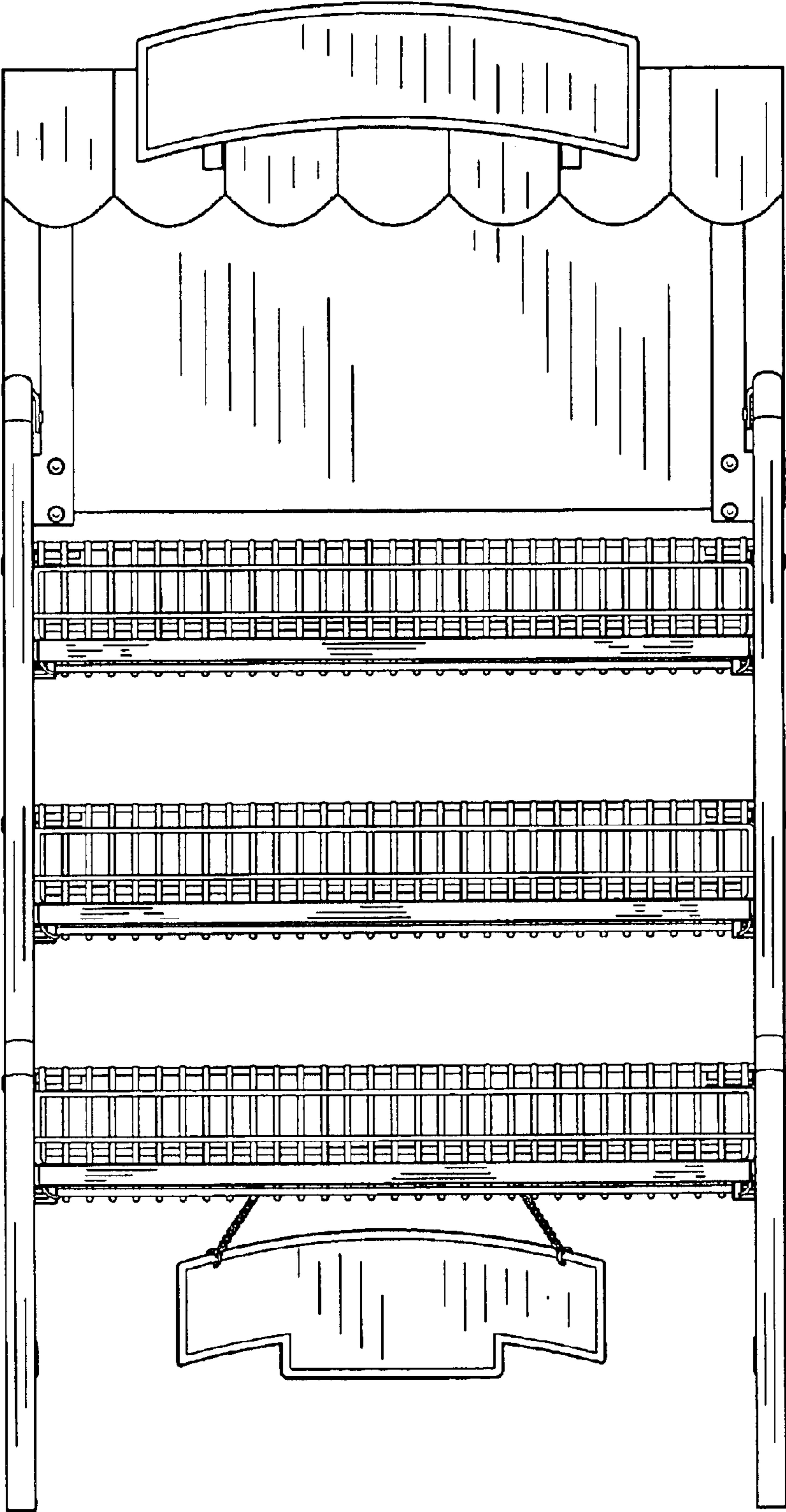


FIG. 9



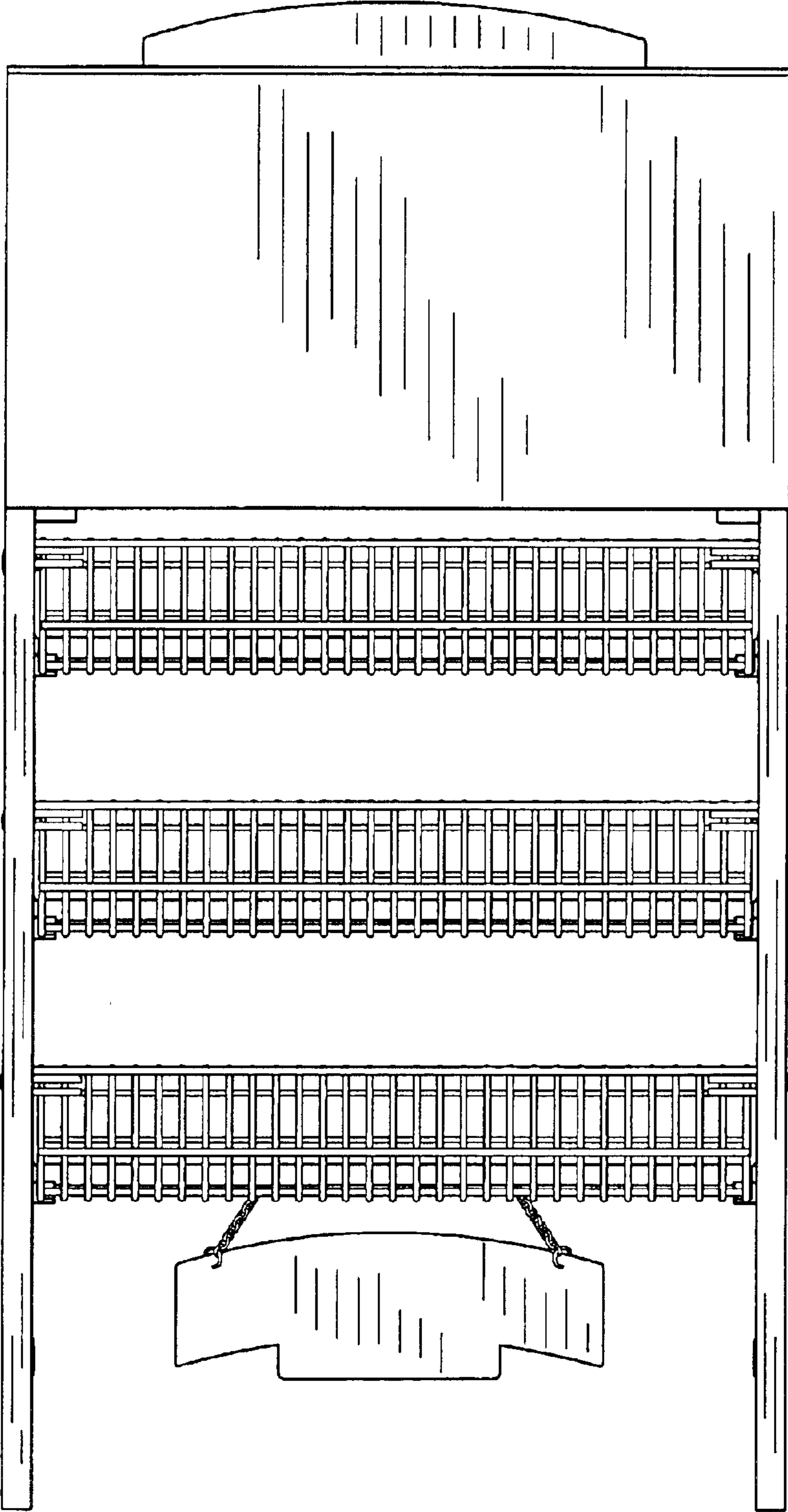


FIG. 10

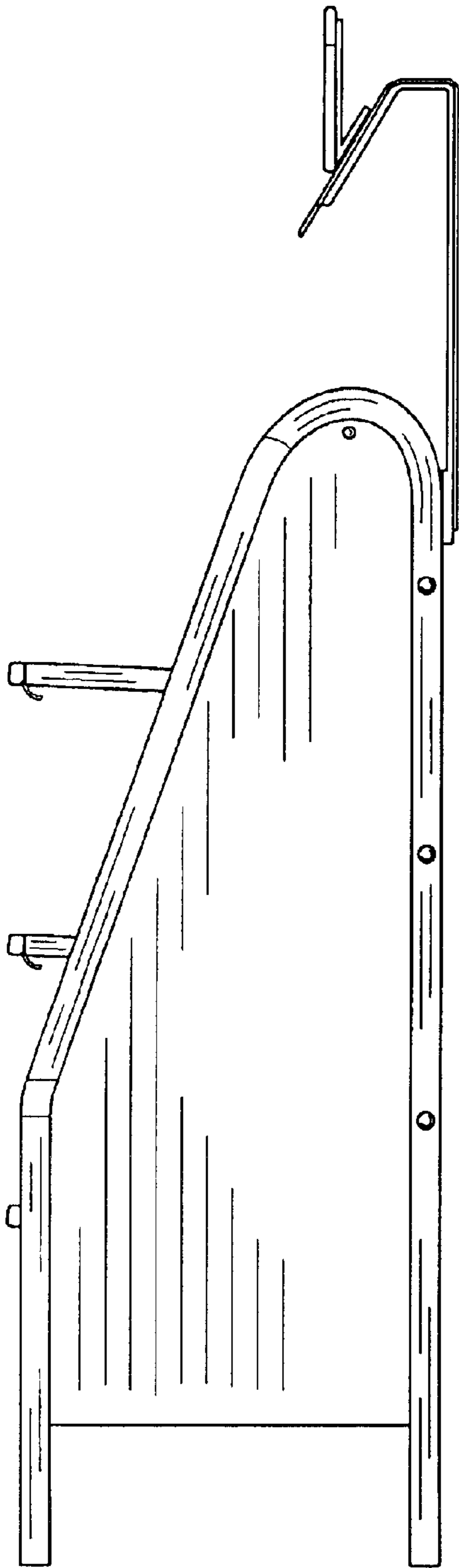


FIG. 11

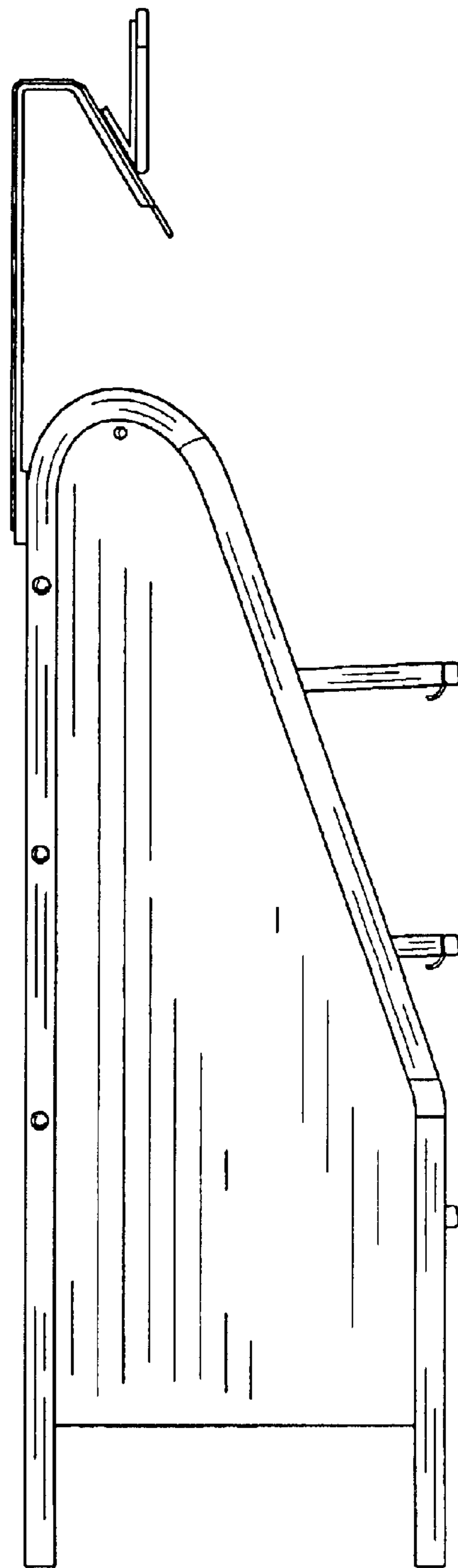


FIG. 12

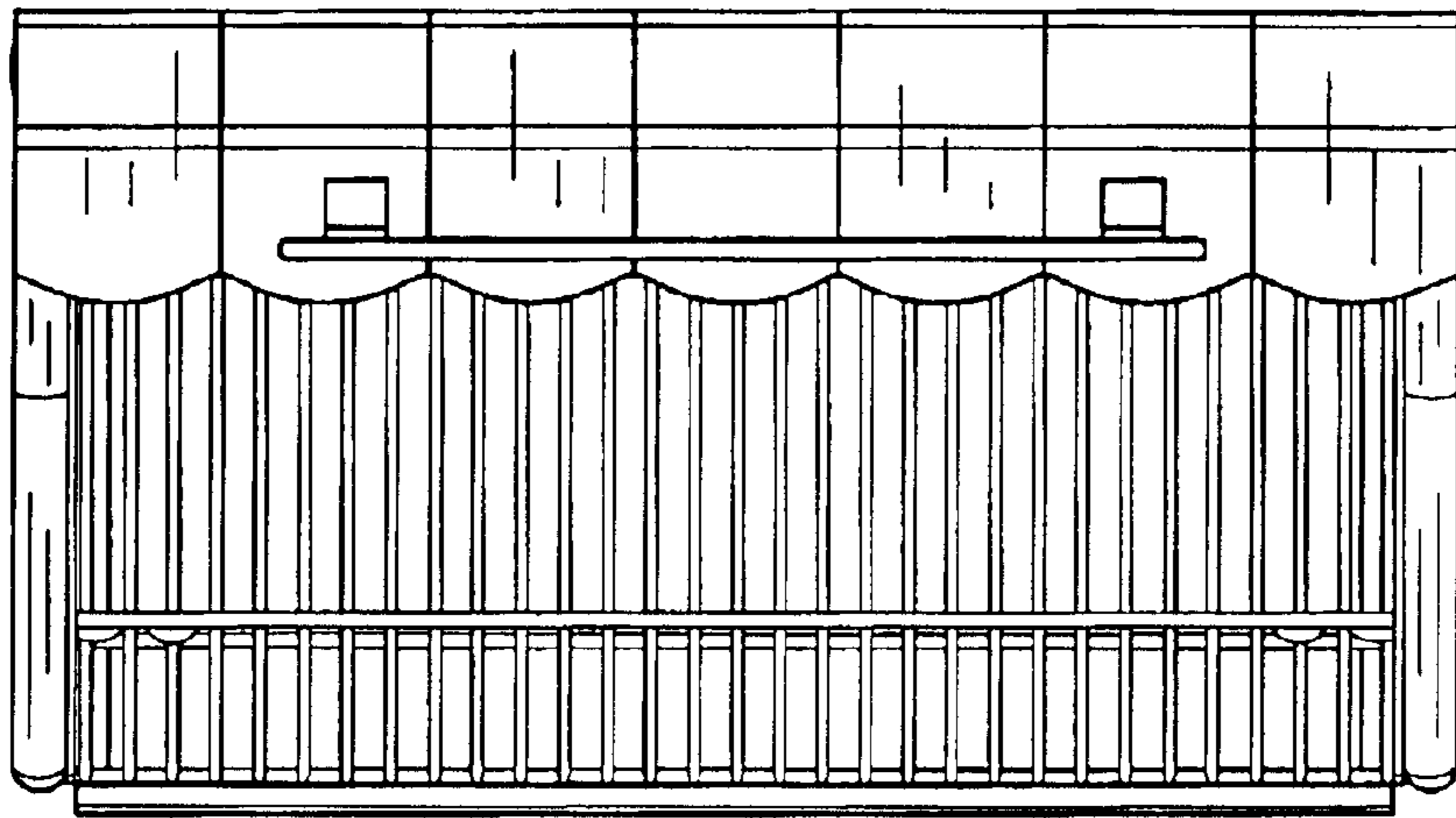


FIG. 13

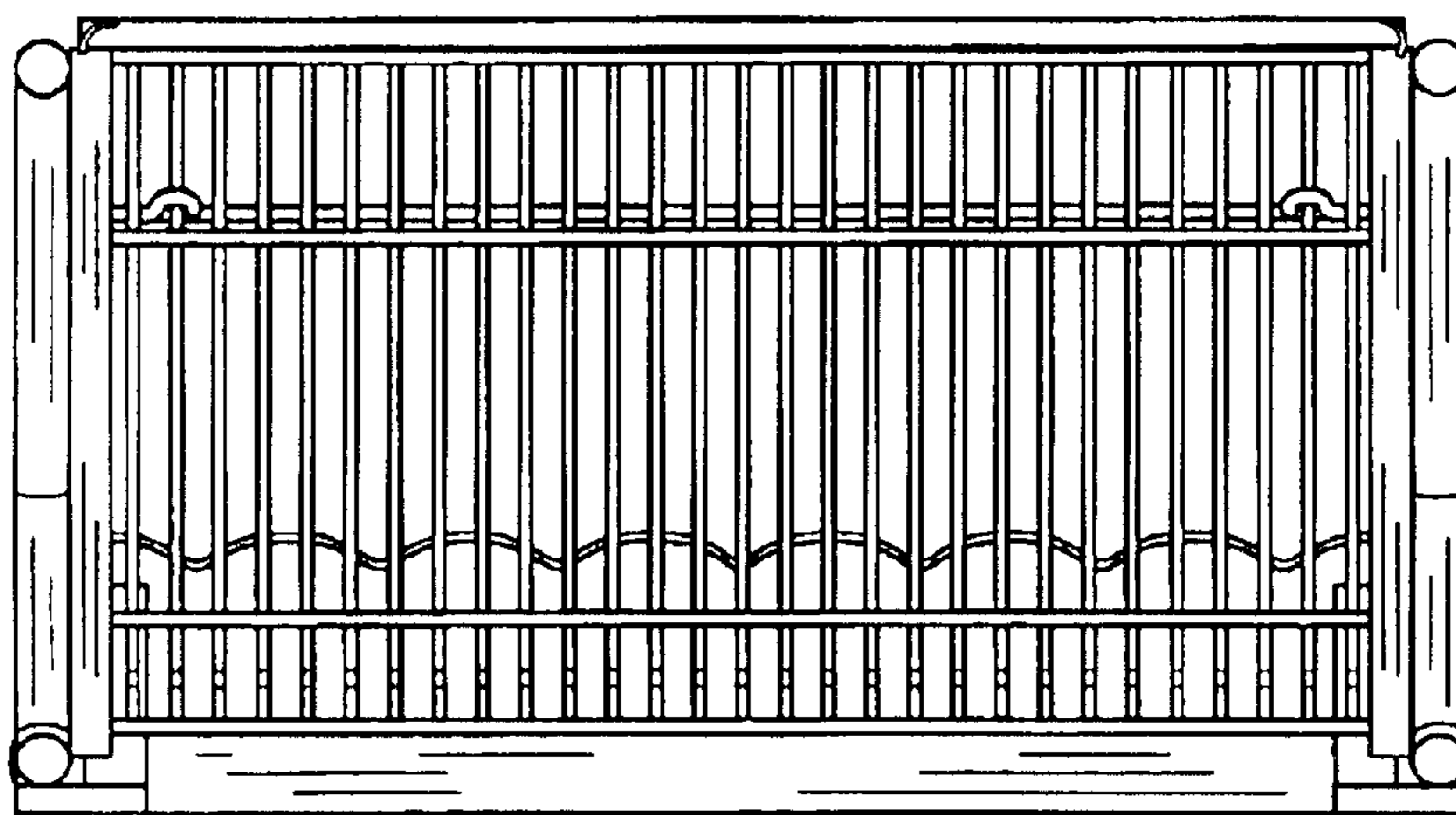


FIG. 14