

US00D500417S

(12) **United States Design Patent** (10) **Patent No.:** **US D500,417 S**  
**Levin et al.** (45) **Date of Patent:** **\*\* Jan. 4, 2005**

(54) **DISPLAY EQUIPMENT FOR SALES AND ADVERTISING**

(75) Inventors: **Avi Levin**, London (GB); **Peter England**, London (GB); **Graham England**, London (GB); **Philip Eddershaw**, London (GB)

(73) Assignee: **Cometform Ltd.** (GB)

(\*\*) Term: **14 Years**

(21) Appl. No.: **29/202,889**

(22) Filed: **Apr. 7, 2004**

(30) **Foreign Application Priority Data**

Oct. 7, 2003 (EM) ..... 83928

(51) **LOC (7) Cl.** ..... **06-04**

(52) **U.S. Cl.** ..... **D6/457; D6/455**

(58) **Field of Search** ..... D6/407, 626-630, D6/449, 553, 455-458, 461-462, 465-469, 474, 476; 211/13.1, 40, 41.1, 41.2, 41.3, 41.4, 41.12, 47, 55, 56, 70, 85.1, 85, 131.1, 13, 133.1, 163, 169, 180, 189, 181.1; 40/124, 124.4, 430, 539; 248/346.03, 469

(56) **References Cited**

**U.S. PATENT DOCUMENTS**

3,092,258 A	*	6/1963	Bleed .....	211/163
D303,884 S	*	10/1989	Yeranossian .....	D6/455
D318,581 S	*	7/1991	DiDomenico .....	D6/457
D327,187 S	*	6/1992	Swon .....	D6/553
D394,964 S	*	6/1998	Geier et al. ....	D6/457
D408,654 S	*	4/1999	Liberto .....	D6/457
D457,751 S	*	5/2002	Stafford et al. ....	D6/456

\* cited by examiner

*Primary Examiner*—Mimosa De

(74) *Attorney, Agent, or Firm*—Blank Rome LLP

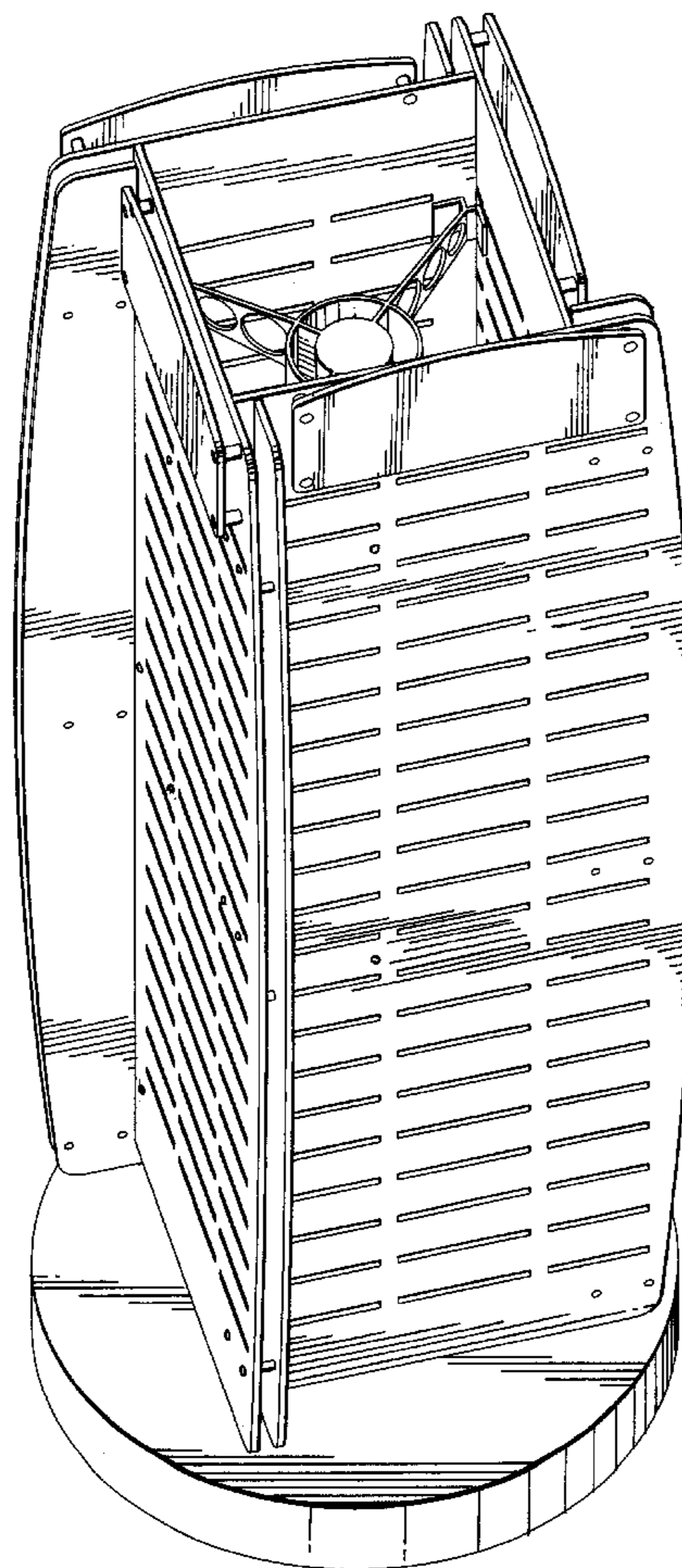
(57) **CLAIM**

We claim the ornamental design for display equipment for sales and advertising, as shown and described.

**DESCRIPTION**

FIG. 1 is a perspective view of the display equipment for sales and advertising showing our new design; FIG. 2 is a top plan view thereof; and, FIG. 3 is a right side elevation view thereof.

**1 Claim, 2 Drawing Sheets**



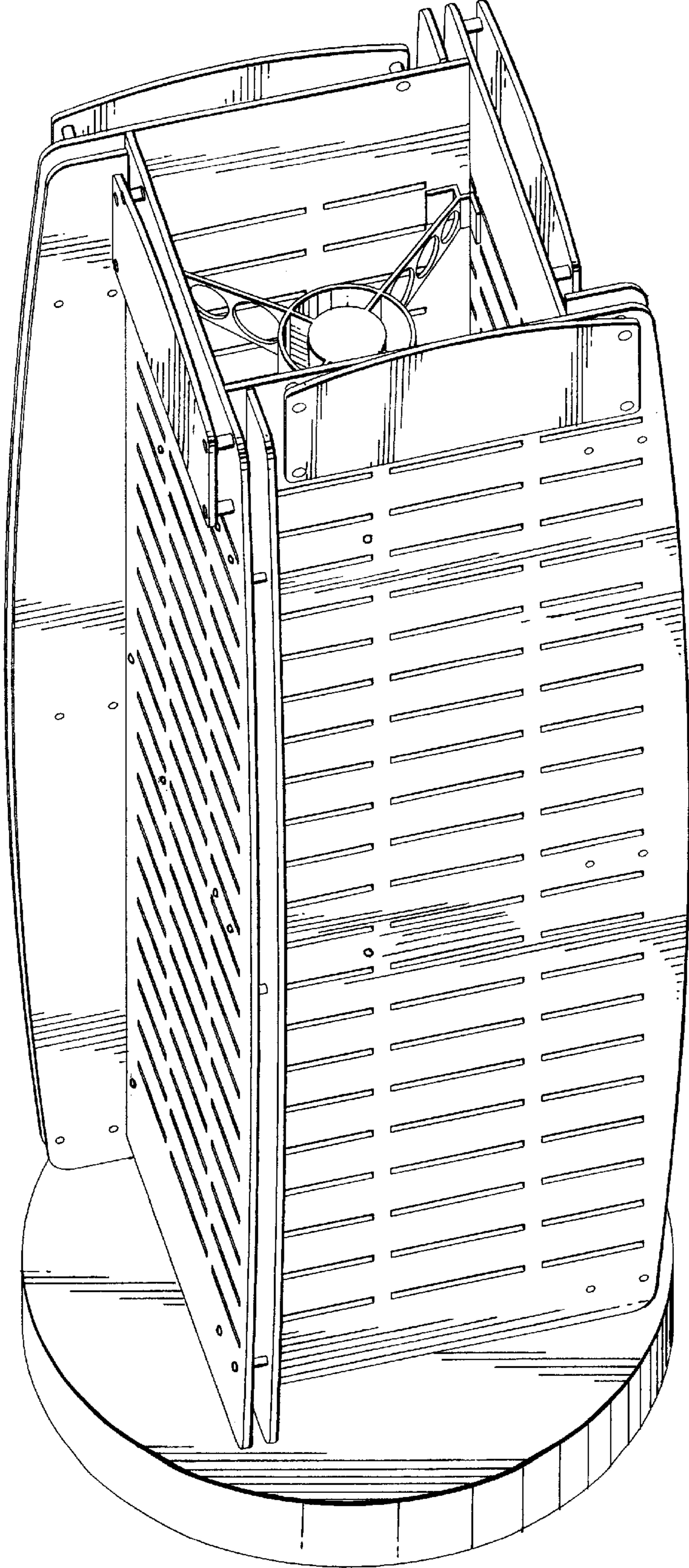


FIG. 1

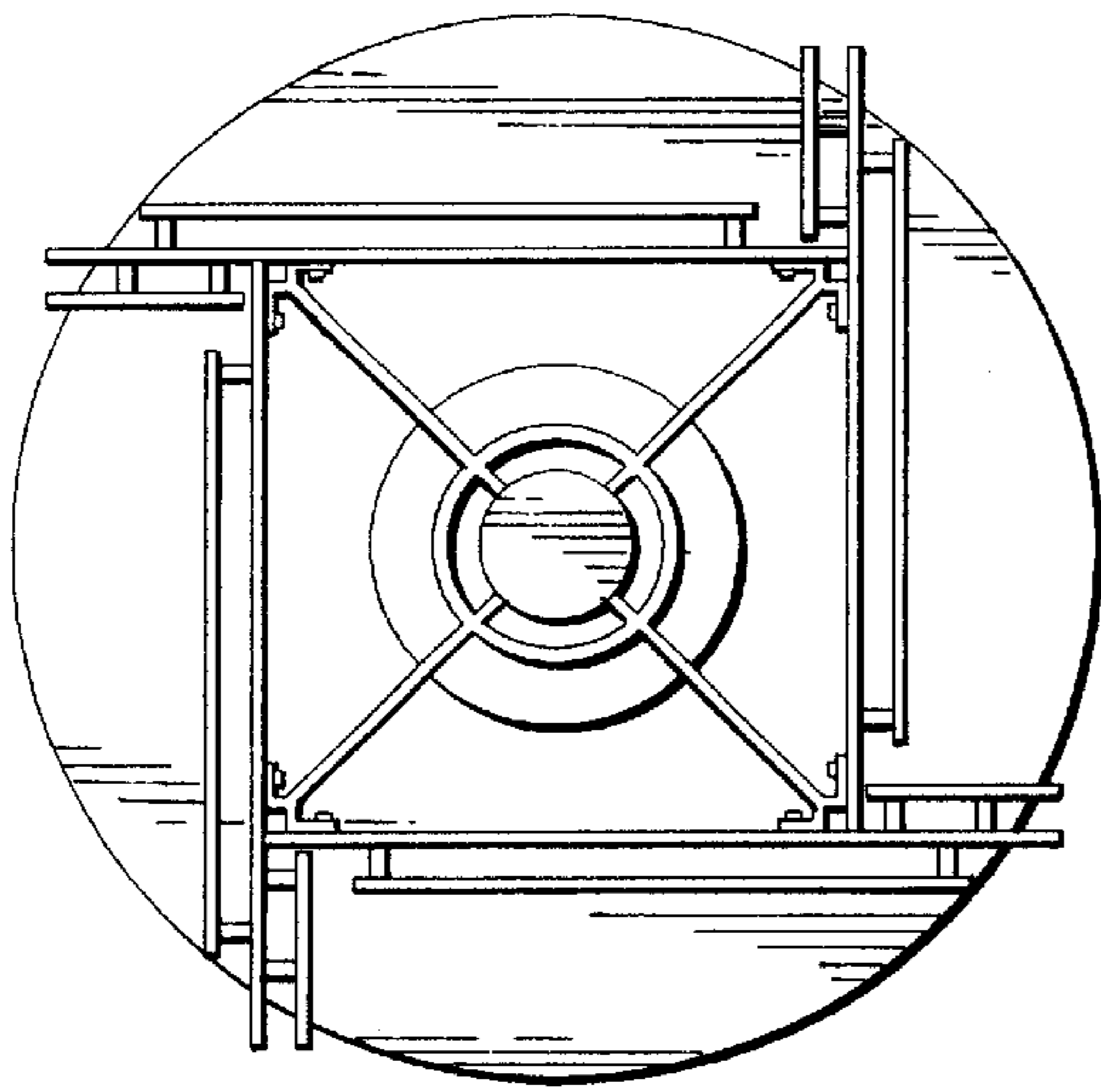


FIG. 2

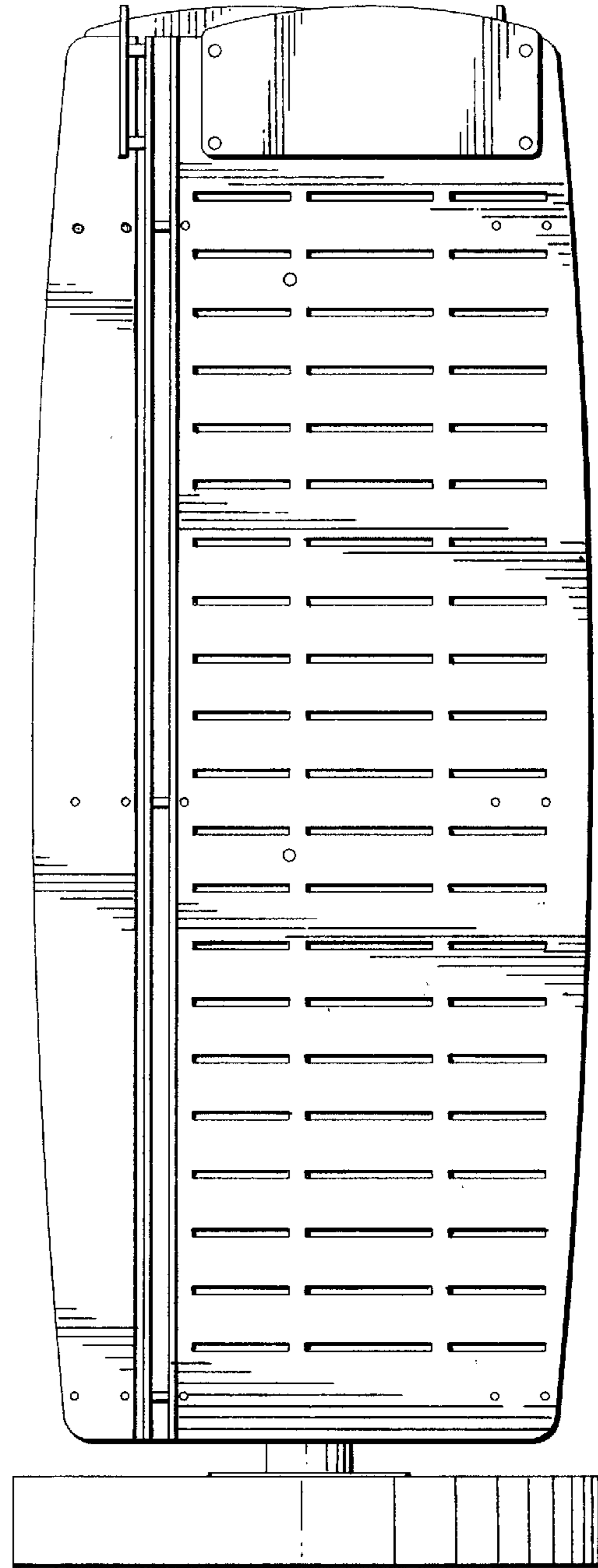


FIG. 3