



US00D500393S

(12) **United States Design Patent**
Beacham et al.

(10) **Patent No.:** **US D500,393 S**

(45) **Date of Patent:** **** Dec. 28, 2004**

(54) **BIKER'S BELT**

(76) Inventors: **Marvin L. Beacham**, 305 Pine Grove Trail, Kill Devil Hills, NC (US) 27948;
Melanie G. Beacham, 305 Pine Grove Trail, Kill Devil Hills, NC (US) 27948

(**) **Term:** **14 Years**

(21) **Appl. No.:** **29/193,600**

(22) **Filed:** **Nov. 13, 2003**

(51) **LOC (7) Cl.** **29-02**

(52) **U.S. Cl.** **D29/100; D29/101.5**

(58) **Field of Search** D29/100, 101.5,
D29/101.1; D2/627, 629; 2/300, 311, 312,
321; D21/683; 224/660

(56) **References Cited**

U.S. PATENT DOCUMENTS

1,169,198 A	1/1916	Schumacher	
2,861,888 A	* 11/1958	Coles et al.	426/92
3,311,385 A	3/1967	Frantz	
3,840,902 A	10/1974	McNeill	
D238,315 S	* 1/1976	Terwilliger	D2/636
3,940,801 A	* 3/1976	Riggs et al.	2/311
D245,816 S	* 9/1977	Conti et al.	D29/101.5
4,411,222 A	* 10/1983	Wolfson	2/300

4,413,358 A	* 11/1983	Jimenez	2/321
5,081,719 A	1/1992	Donnelly	
5,152,013 A	10/1992	Johnson	
D374,546 S	* 10/1996	Luna	D29/101.5
5,622,294 A	4/1997	Evans	
5,806,087 A	* 9/1998	Grotefend	2/1
D457,688 S	* 5/2002	Cordero	D29/100
D480,535 S	* 10/2003	Hammond	D2/627

* cited by examiner

Primary Examiner—Lucy Lieberman

(74) *Attorney, Agent, or Firm*—Donald R. Schoonover

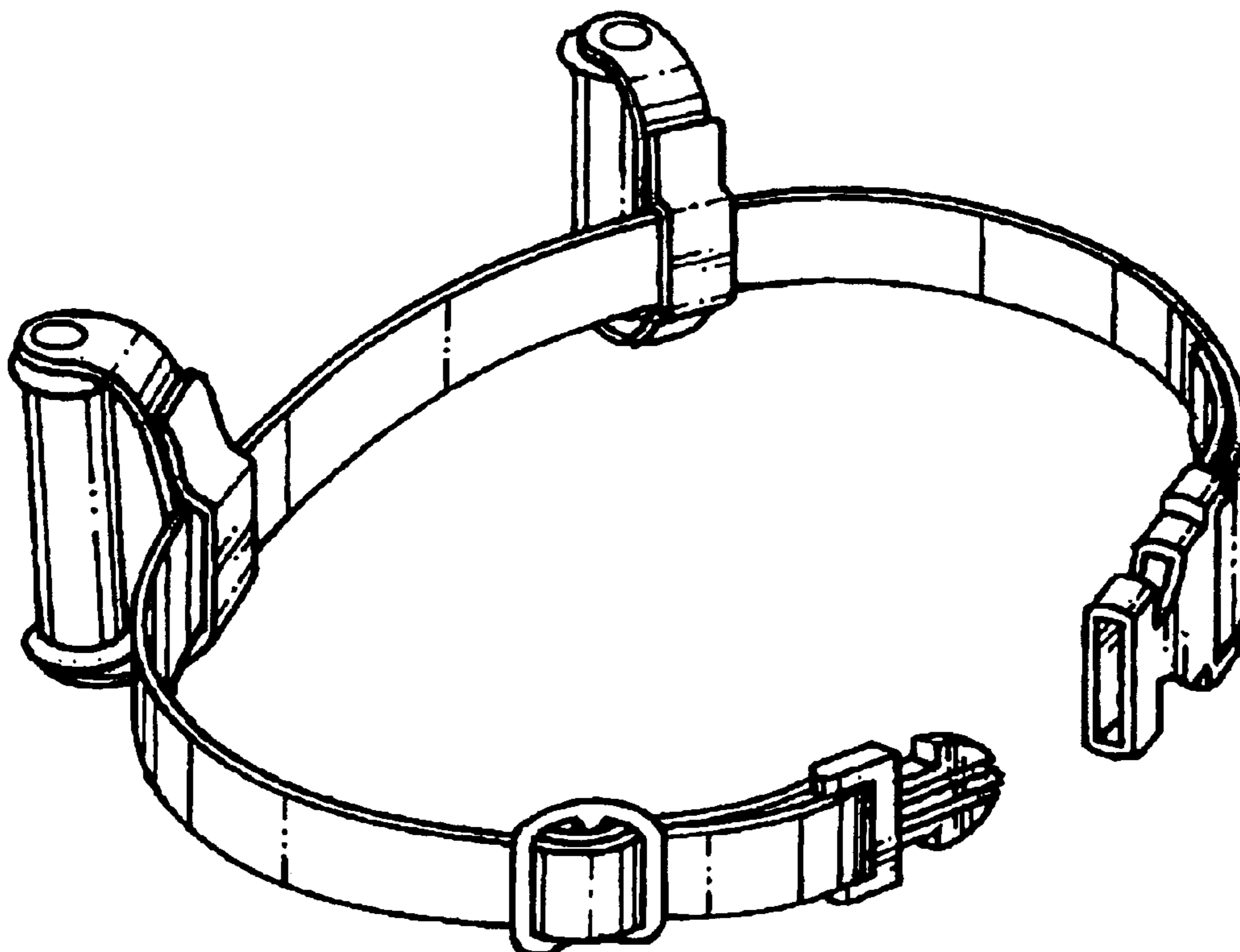
(57) **CLAIM**

We claim the ornamental design for a biker's belt, as shown and described.

DESCRIPTION

FIG. 1 is a perspective view of a biker's belt showing our new design;
FIG. 2 is an inner side elevational view thereof;
FIG. 3 is an outer side elevational view thereof;
FIG. 4 is a top plan view thereof, the bottom plan view being identical thereto;
FIG. 5 is an end elevational view thereof; and,
FIG. 6 is a elevational view of the opposing end thereof.

1 Claim, 3 Drawing Sheets



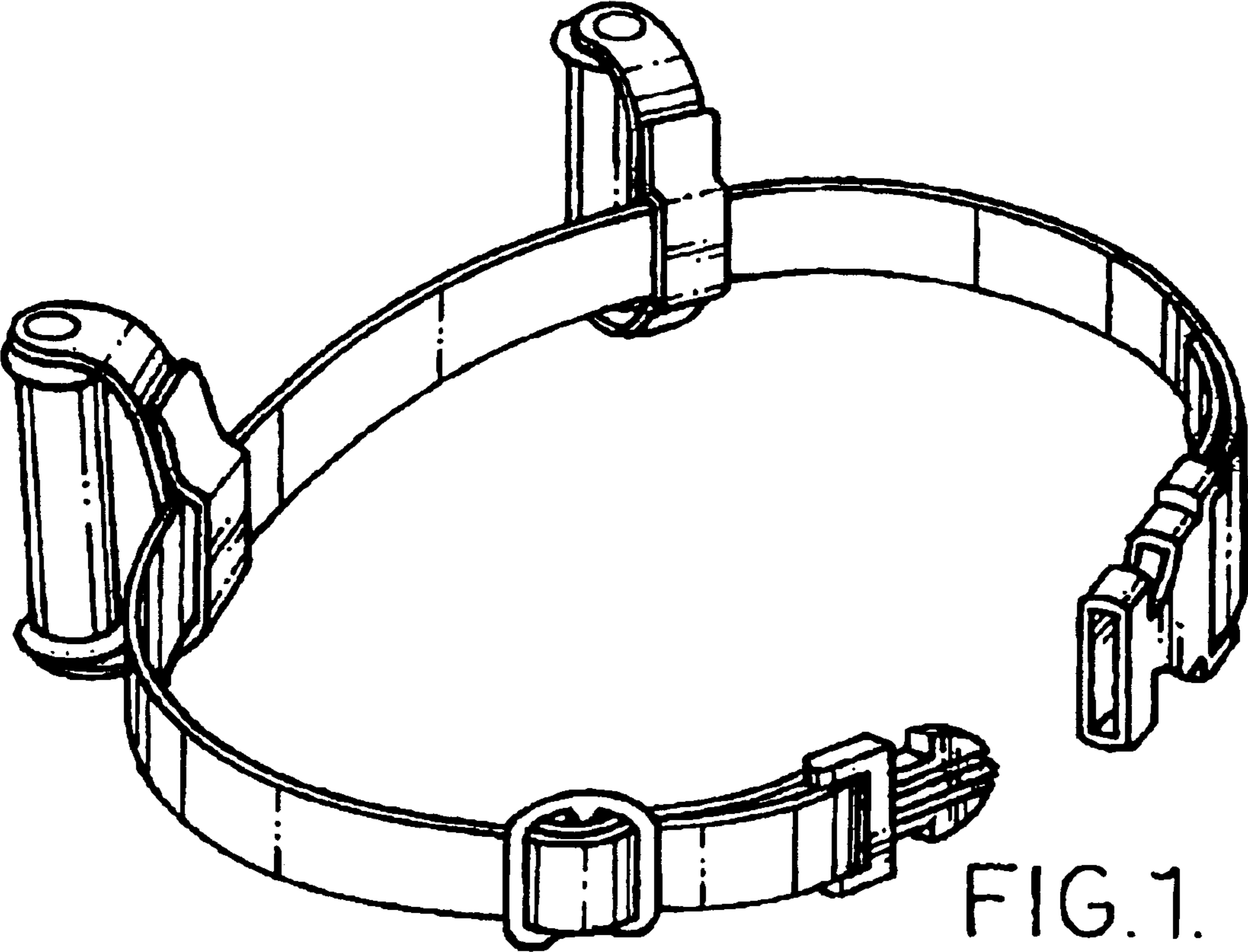


FIG. 1.

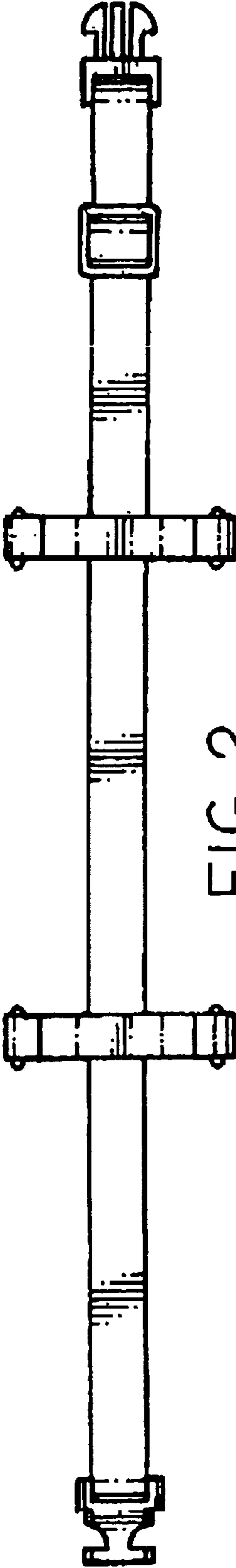


FIG. 2.



FIG. 4.



FIG. 5.

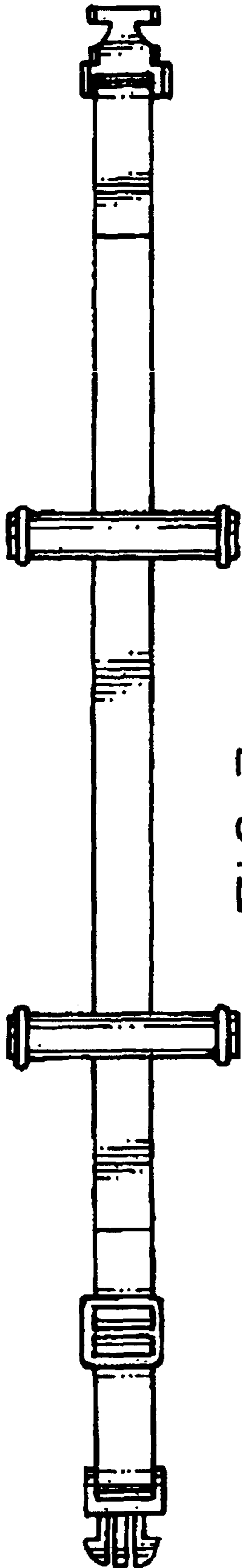


FIG. 3.



FIG. 6.