

US00D500388S

(12) **United States Design Patent**
Mitchell et al.

(10) **Patent No.: US D500,388 S**

(45) **Date of Patent: ** Dec. 28, 2004**

(54) **MANUAL RAZOR**

D475,805 S * 6/2003 Summers D28/45

(76) Inventors: **Marty Mitchell**, 1801 Woods Ferry Rd., Lebanon, TN (US) 37087; **Michael Steed**, 3819 E. 22nd St., Tulsa, OK (US) 74114

* cited by examiner

Primary Examiner—Jennifer Rivard
(74) *Attorney, Agent, or Firm*—Sturm & Fix LLP

(**) Term: **14 Years**

(57) **CLAIM**

The ornamental design for a manual razor, as shown and described.

(21) Appl. No.: **29/203,585**

(22) Filed: **Apr. 16, 2004**

DESCRIPTION

(51) **LOC (7) Cl.** **28-03**

FIG. 1 is a perspective view showing the decorative design of my manual razor;
FIG. 2 is a rear elevation view thereof;
FIG. 3 is a top plan view thereof;
FIG. 4 is a bottom plan view thereof;
FIG. 5 is a front elevation view thereof;
FIG. 6 is a right side elevation view thereof; and,
FIG. 7 is a left side elevation view thereof.

(52) **U.S. Cl.** **D28/46**

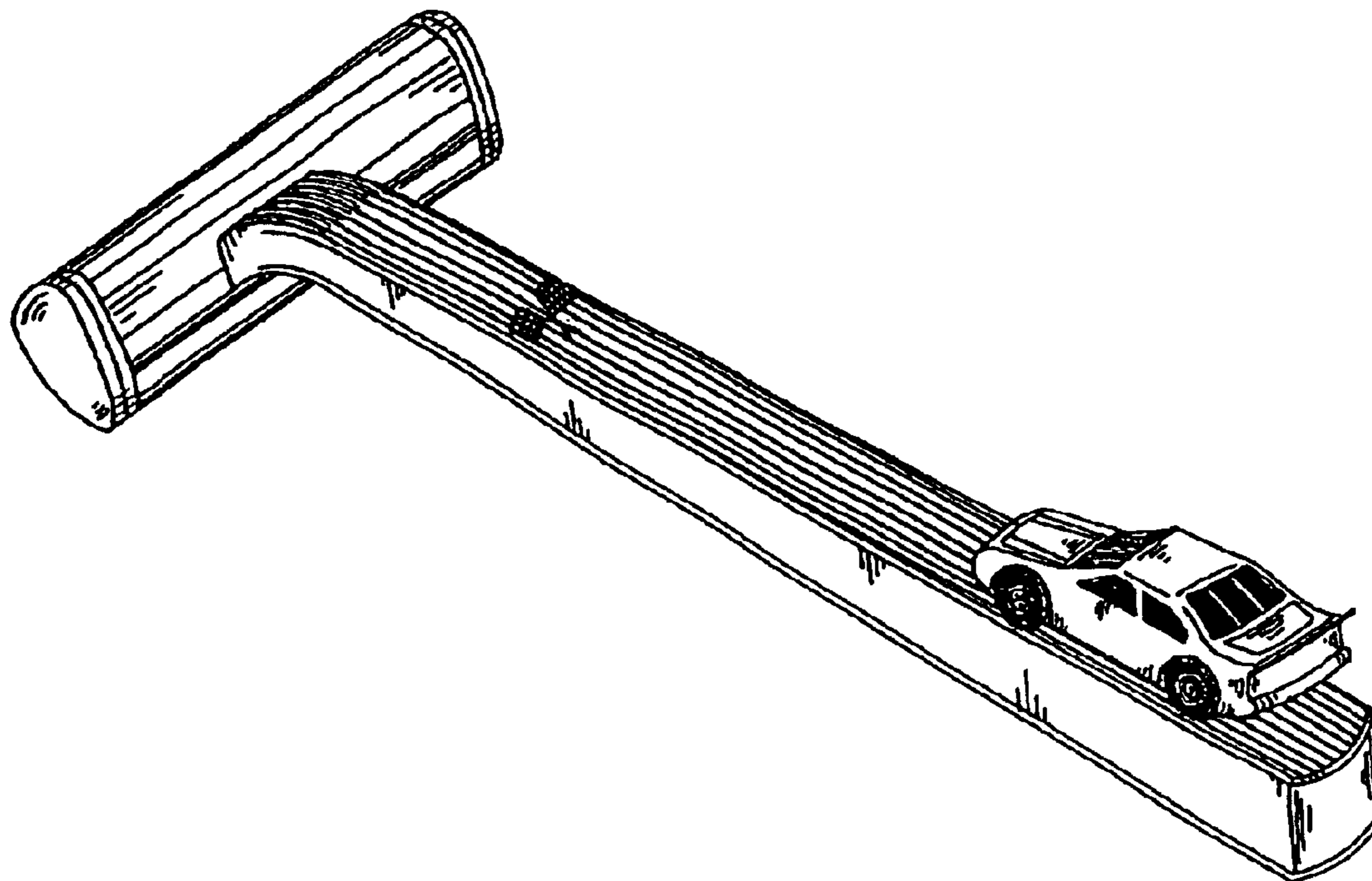
(58) **Field of Search** D28/44, 44.1, D28/45-48; 30/32, 34.05, 34.1, 34.2, 41, 47, 48, 50, 51, 57, 526-528

(56) **References Cited**

U.S. PATENT DOCUMENTS

D354,371 S * 1/1995 Wood D28/48

1 Claim, 2 Drawing Sheets



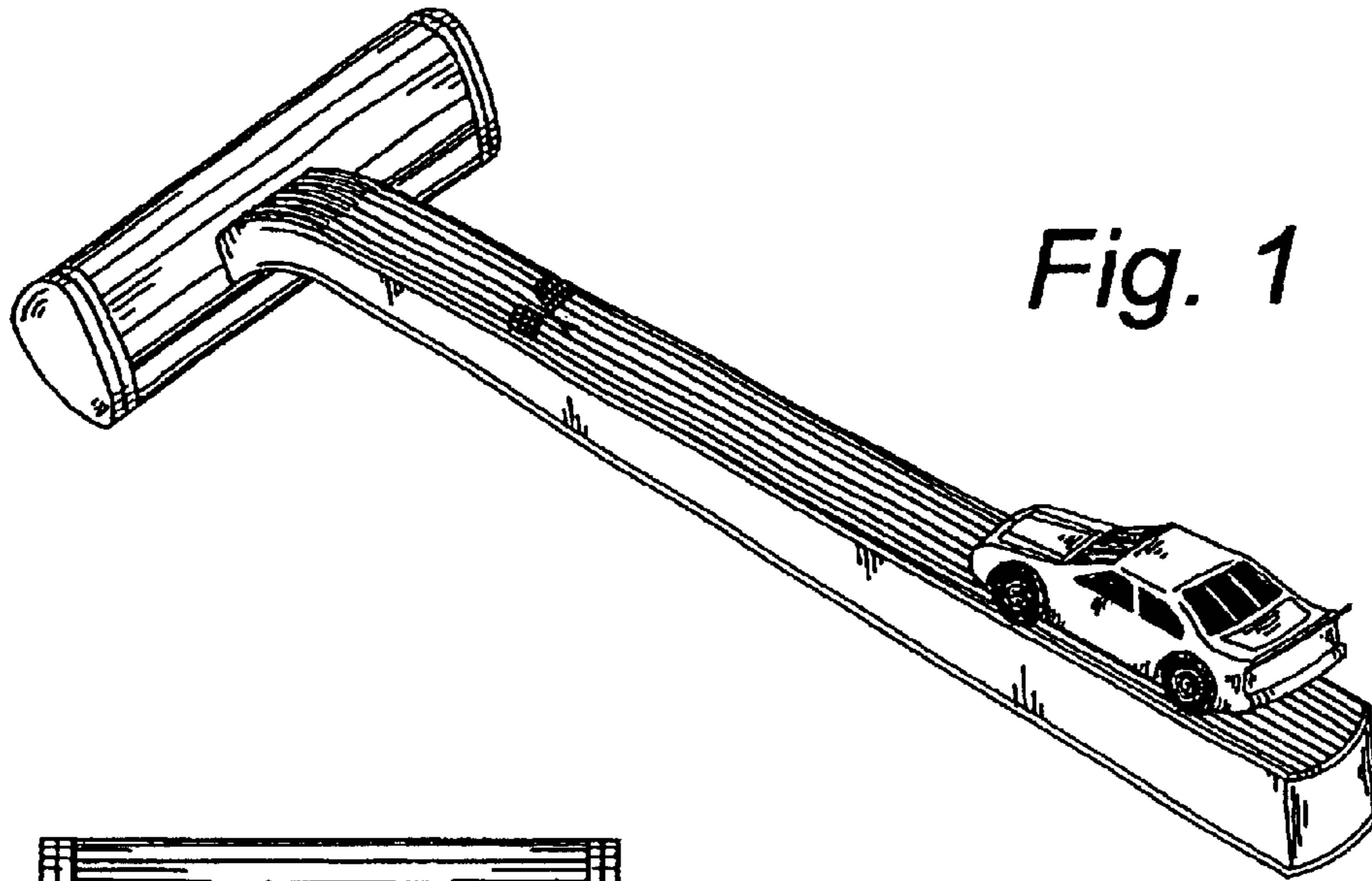


Fig. 1

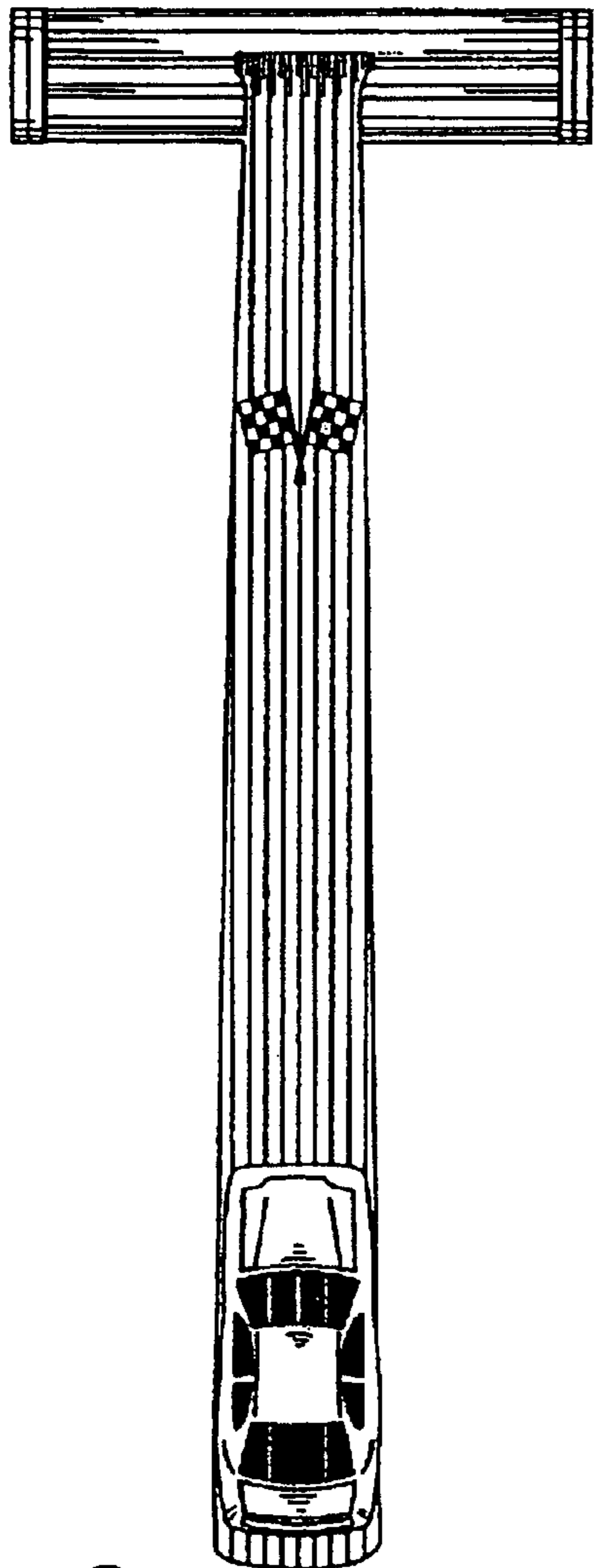


Fig. 2

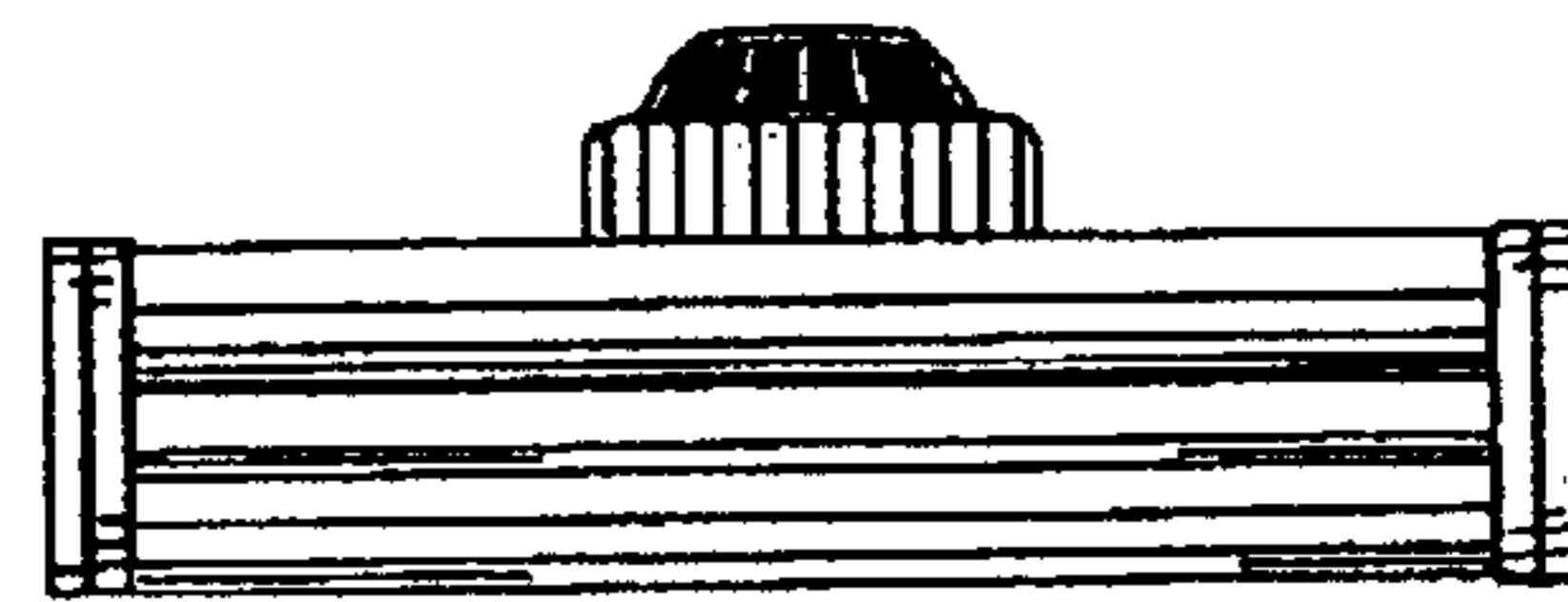


Fig. 3

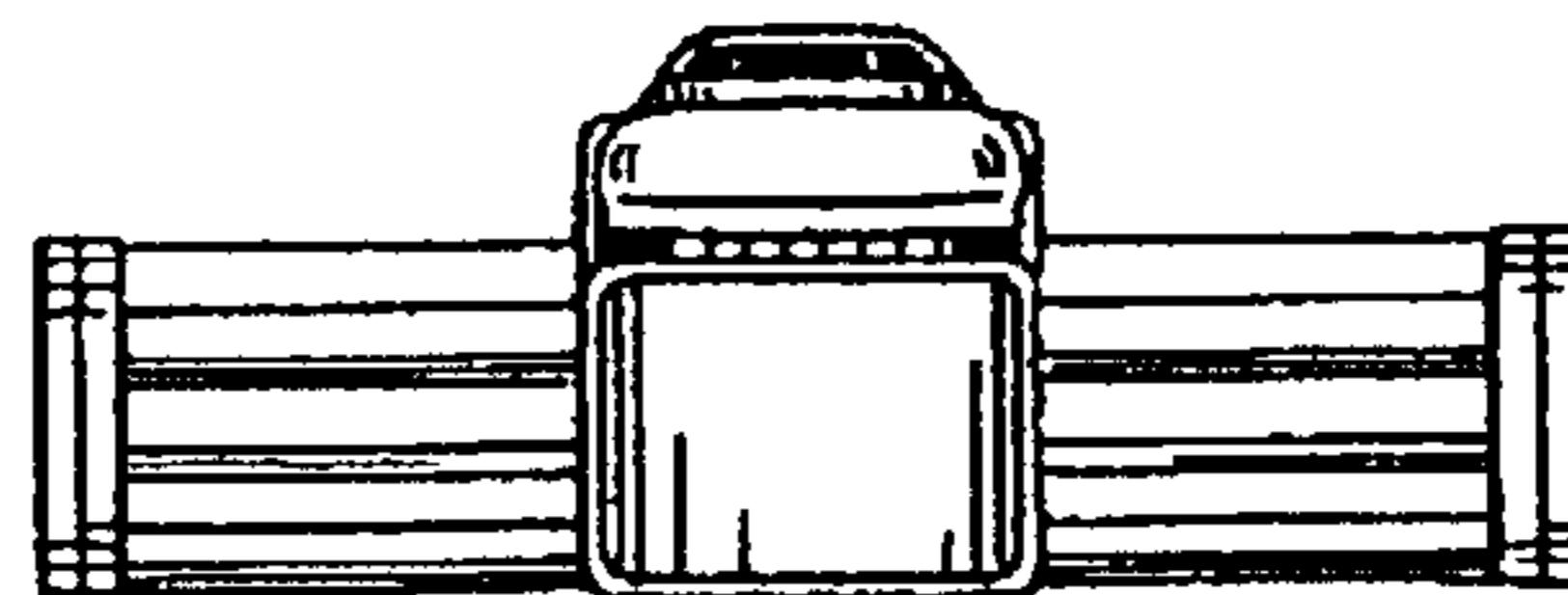


Fig. 4

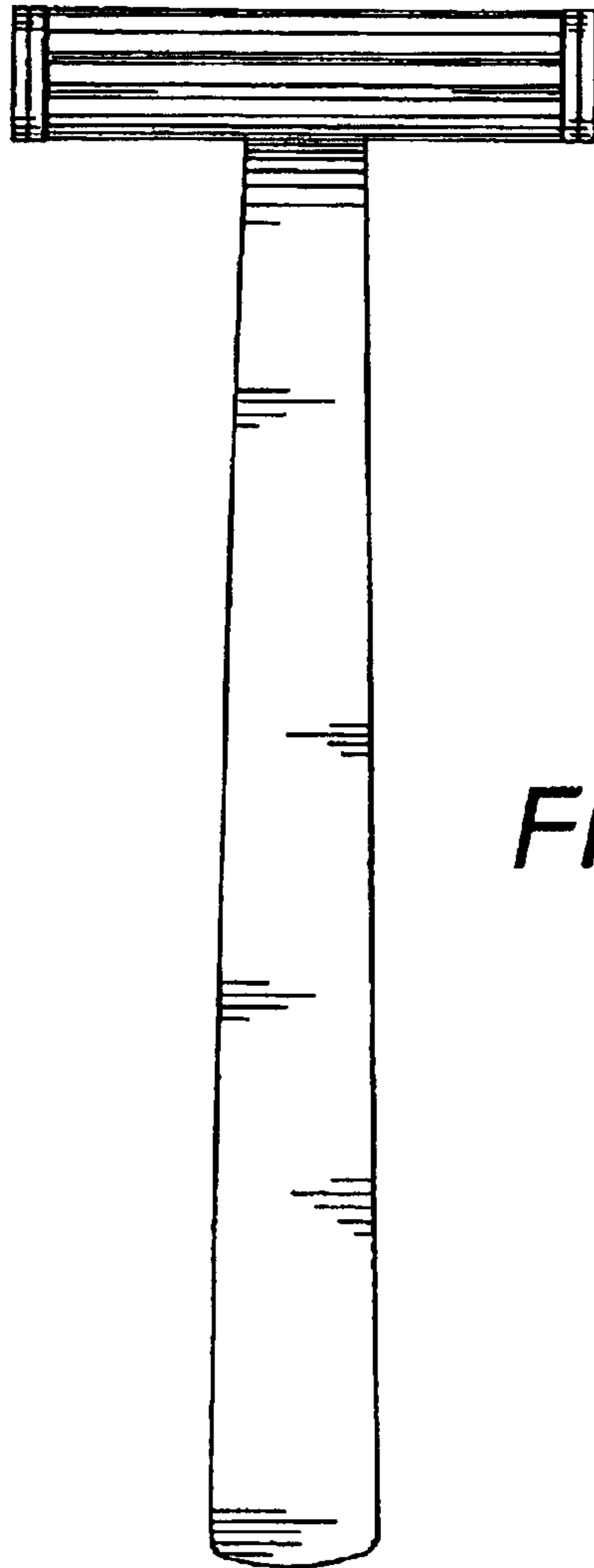


Fig. 5

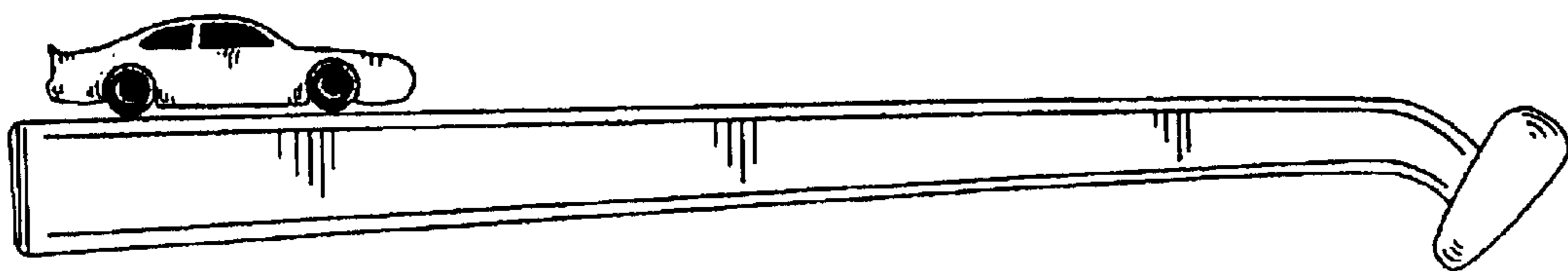


Fig. 6

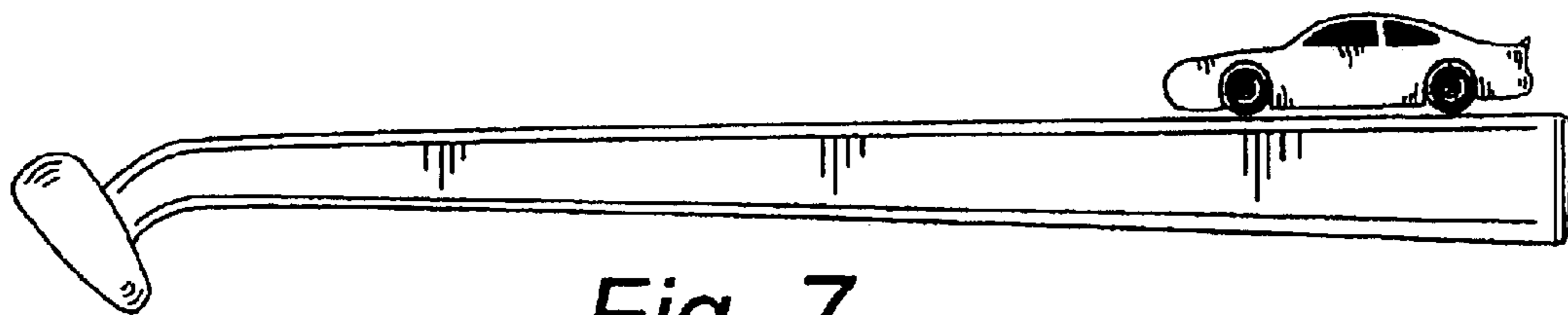


Fig. 7