

US00D500384S

(12) **United States Design Patent**
Lyons et al.

(10) **Patent No.: US D500,384 S**

(45) **Date of Patent: ** Dec. 28, 2004**

(54) **REFLECTOR FOR LIGHT ASSEMBLY**

2002/0172046 A1 * 11/2002 Perlo et al. 362/297
2004/0008516 A1 * 1/2004 Amano 362/516

(75) Inventors: **Jon H. Lyons**, Haddam, CT (US);
Todd J. Smith, Deep River, CT (US);
James L. Stopa, Old Saybrook, CT
(US)

* cited by examiner

Primary Examiner—Jennifer Rivard
(74) *Attorney, Agent, or Firm*—Alix, Yale & Ristas, LLP

(73) Assignee: **Whelen Engineering Company, Inc.**,
Chester, CT (US)

(57) **CLAIM**

(**) Term: **14 Years**

The ornamental design for a reflector for light assembly, as shown and described.

(21) Appl. No.: **29/172,719**

DESCRIPTION

(22) Filed: **Dec. 17, 2002**

FIG. 1 is a front elevation view of the reflector for a light assembly; and,

(51) **LOC (7) Cl.** **26-99**

(52) **U.S. Cl.** **D26/120**

FIG. 2 is a front elevation view of the reflector for a light assembly showing the environment thereof.

(58) **Field of Search** D26/35, 36, 118,
D26/120–124, 139; 362/297, 516–522

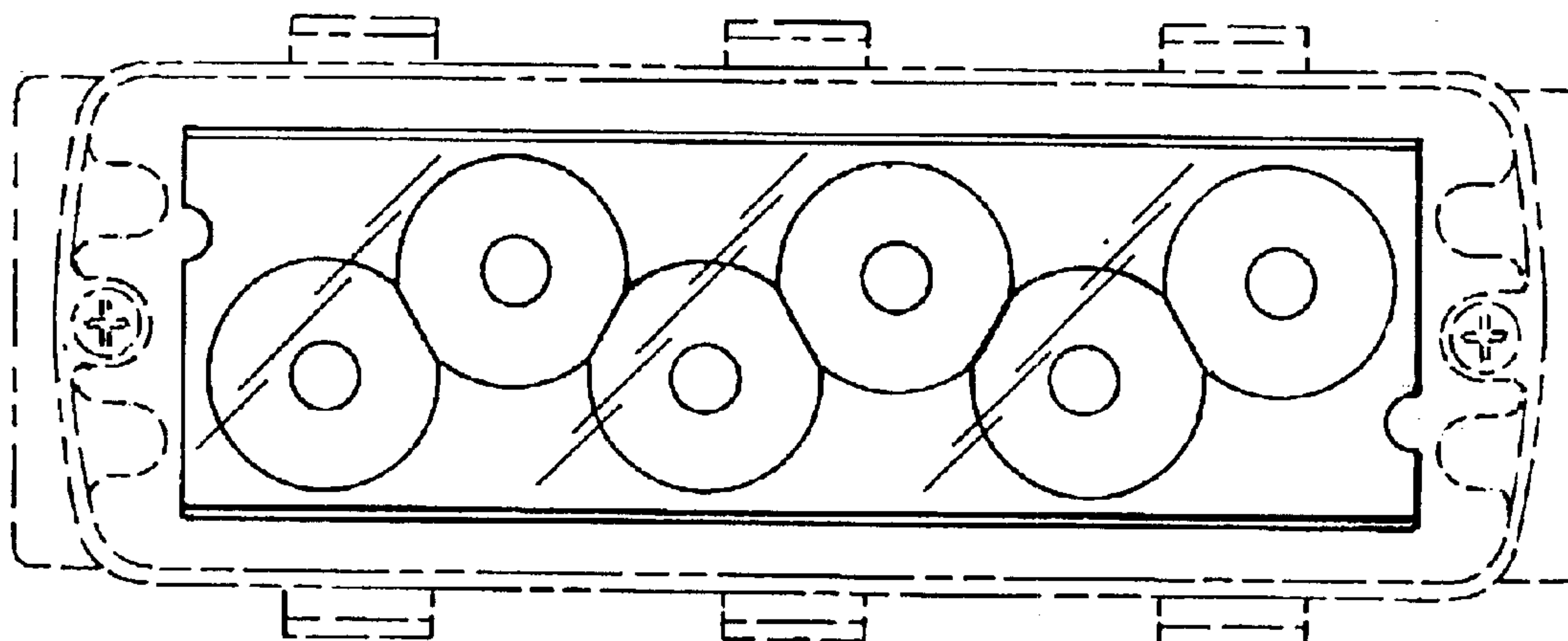
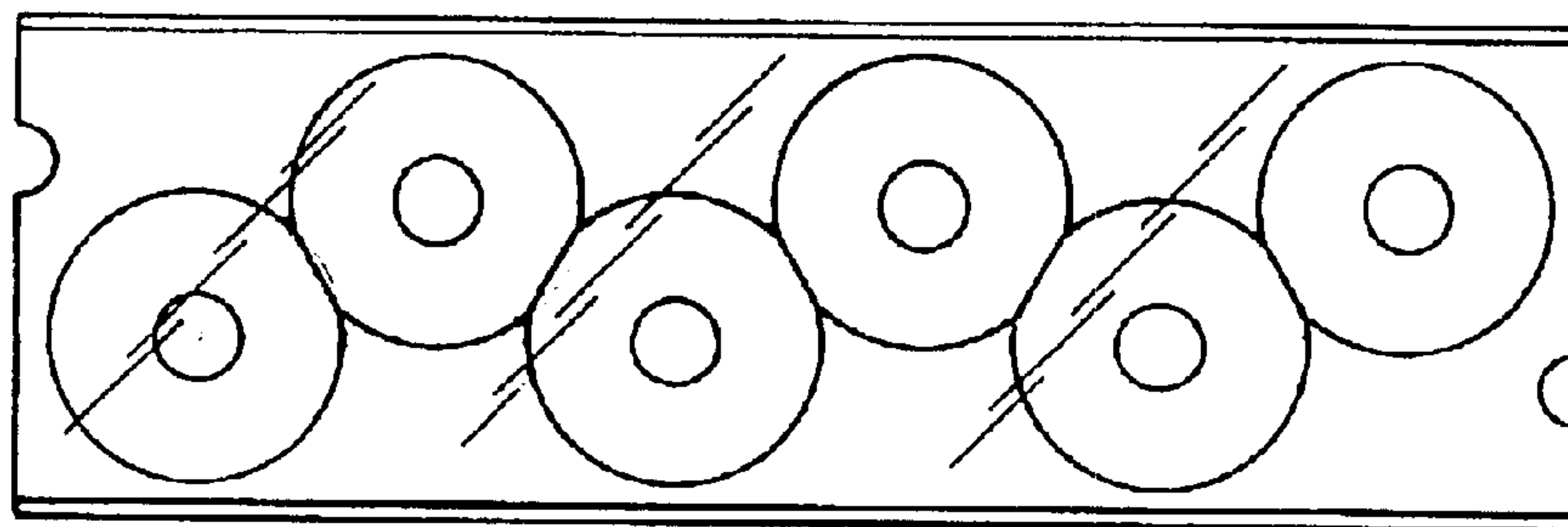
The broken lines are shown for illustrative purposes only and form no part of the claimed design. The claim is solely directed to the front view of the reflector for a light assembly.

(56) **References Cited**

U.S. PATENT DOCUMENTS

5,550,716 A * 8/1996 Dassanayake et al. 362/520

1 Claim, 1 Drawing Sheet



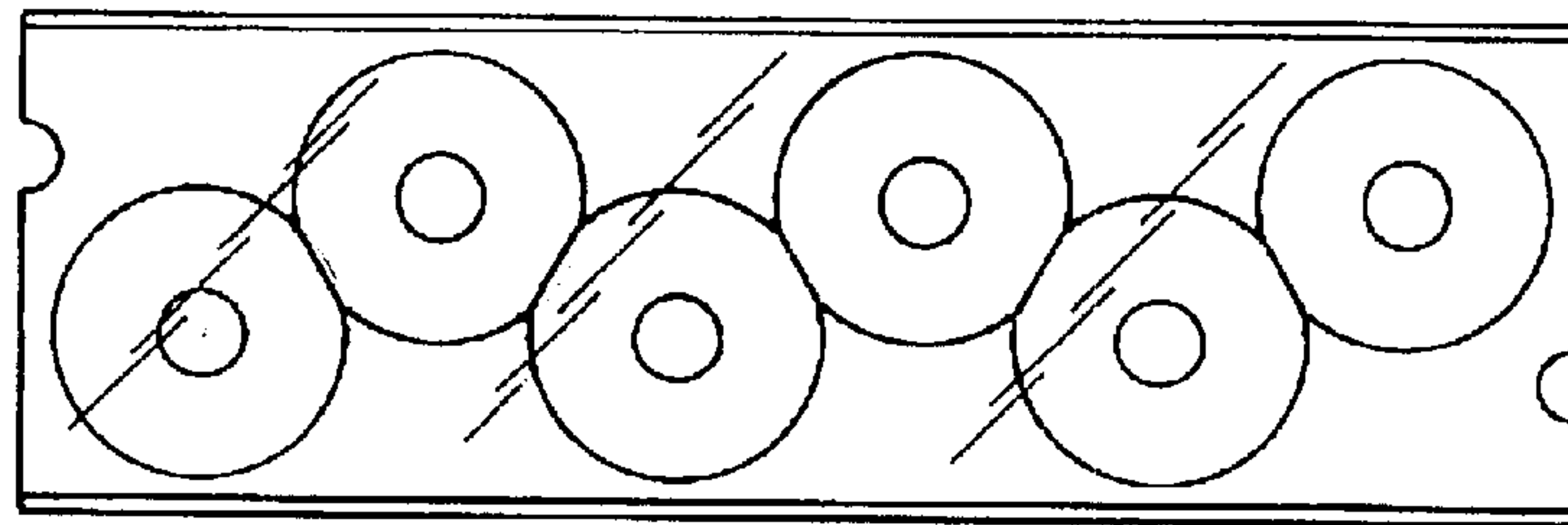


FIG. 1

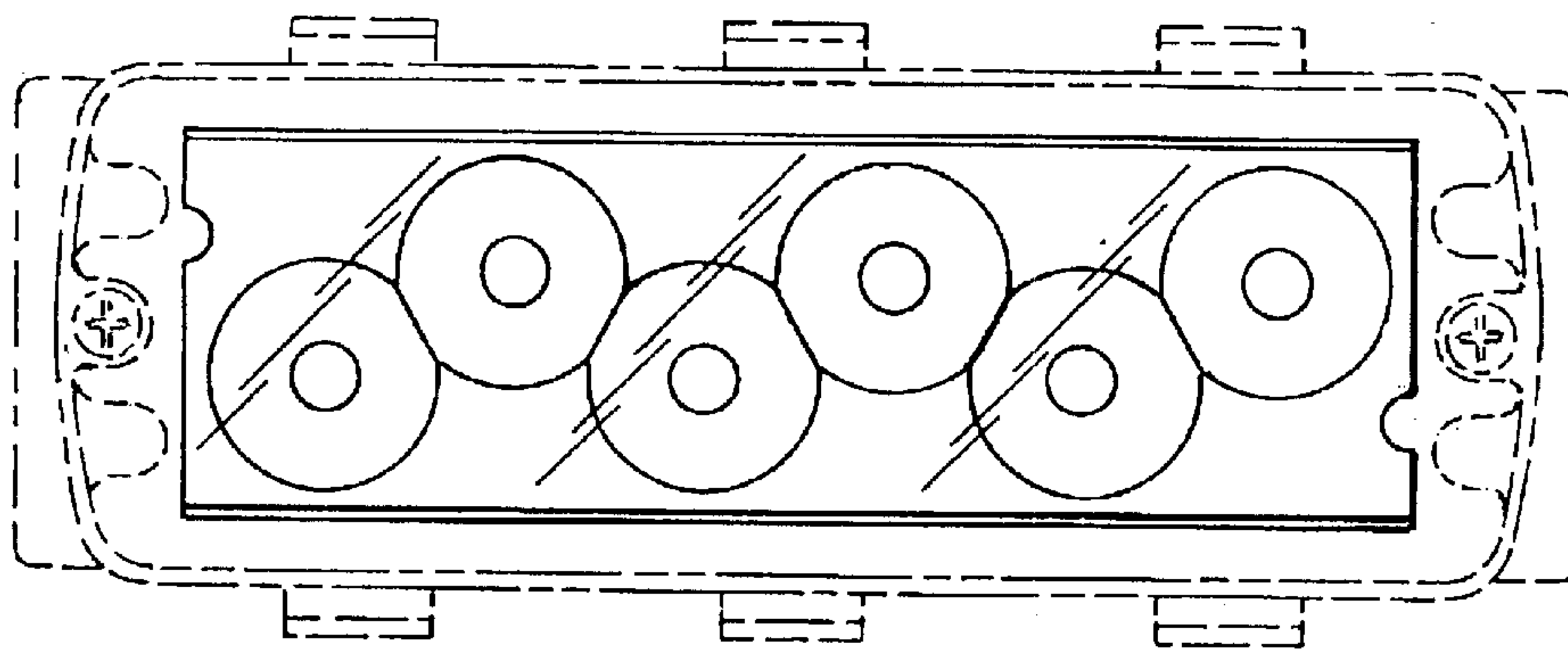


FIG. 2