

US00D500383S

(12) **United States Design Patent**  
**Lin**

(10) **Patent No.:** **US D500,383 S**

(45) **Date of Patent:** **\*\* Dec. 28, 2004**

(54) **WORK LAMP**

(76) **Inventor:** **Jesse H. Lin**, 5311 N. Tyler Ave.,  
Temple City, CA (US) 91780

(\*\*) **Term:** **14 Years**

(21) **Appl. No.:** **29/198,660**

(22) **Filed:** **Feb. 2, 2004**

(51) **LOC (7) Cl.** ..... **26-99**

(52) **U.S. Cl.** ..... **D26/119**

(58) **Field of Search** ..... D26/37-50, 119;  
362/157, 158, 171-174, 183-208, 376,  
377, 378, 387, 396

(56) **References Cited**

**U.S. PATENT DOCUMENTS**

- D331,634 S \* 12/1992 Browne ..... D26/119
- D359,139 S \* 6/1995 Kaczmarek ..... D26/119
- D400,291 S \* 10/1998 Meltzer ..... D26/119

D489,467 S \* 5/2004 Mackin ..... D26/119

\* cited by examiner

*Primary Examiner*—Marcus A. Jackson

(74) *Attorney, Agent, or Firm*—Donald D. Mon

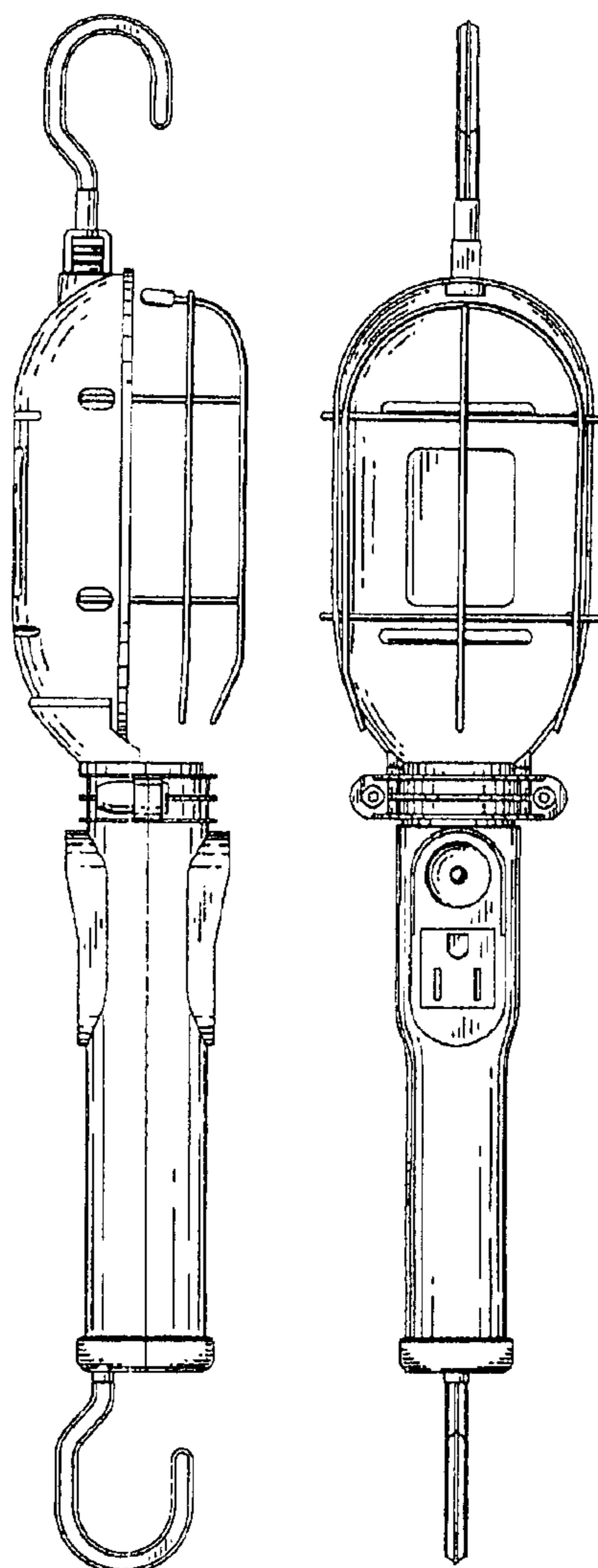
(57) **CLAIM**

The ornamental design for a work lamp, as shown and described.

**DESCRIPTION**

FIG. 1 is a left side elevation of FIG. 2;  
 FIG. 2 is a front elevation of the preferred embodiment of the invention;  
 FIG. 3 is a right side elevation of FIG. 2;  
 FIG. 4 is a rear elevation of the lamp of FIG. 2;  
 FIG. 5 is a top view of FIG. 2; and,  
 FIG. 6 is a bottom view of FIG. 2.

**1 Claim, 3 Drawing Sheets**



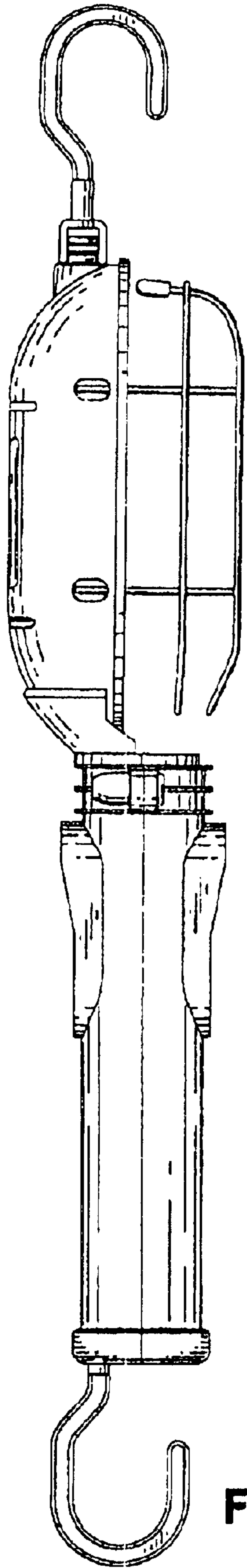


FIG. 1

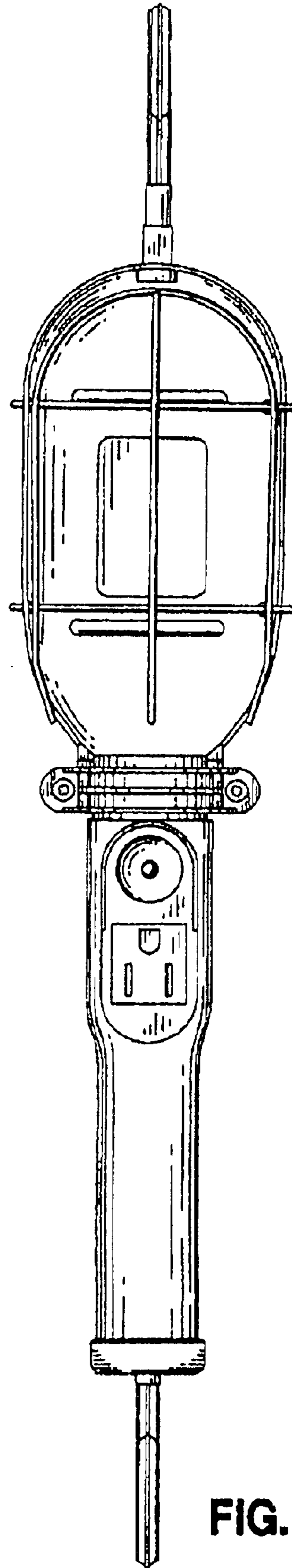


FIG. 2

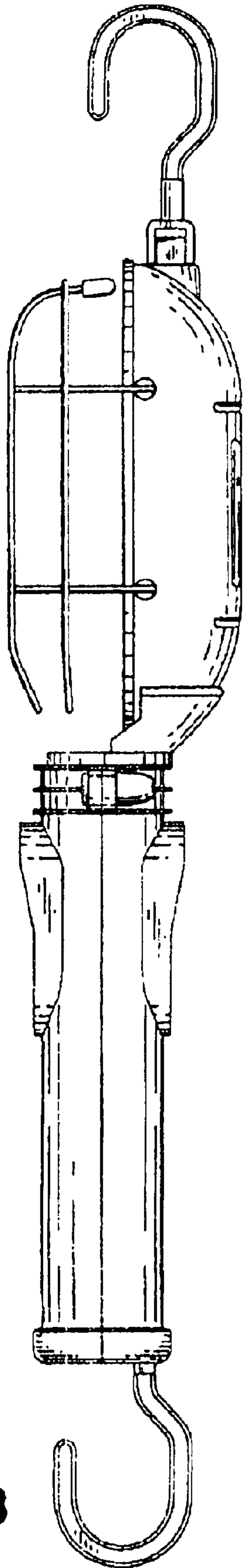


FIG. 3

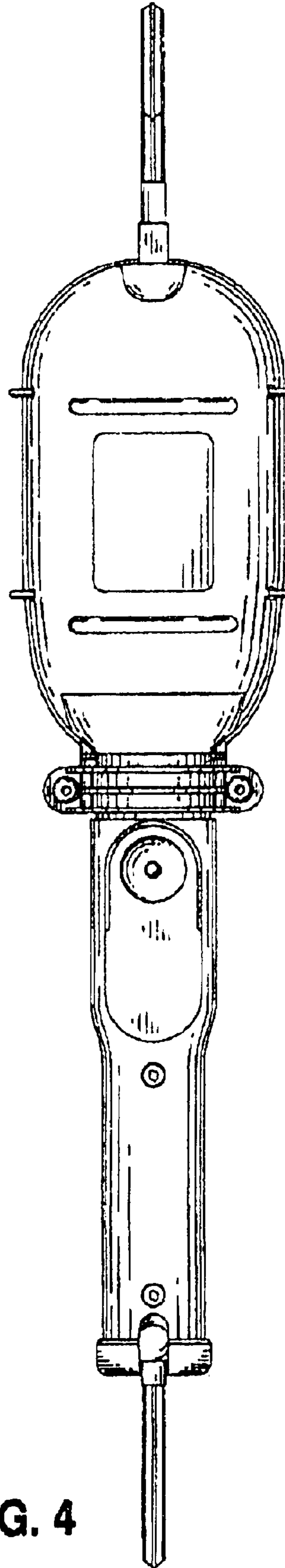
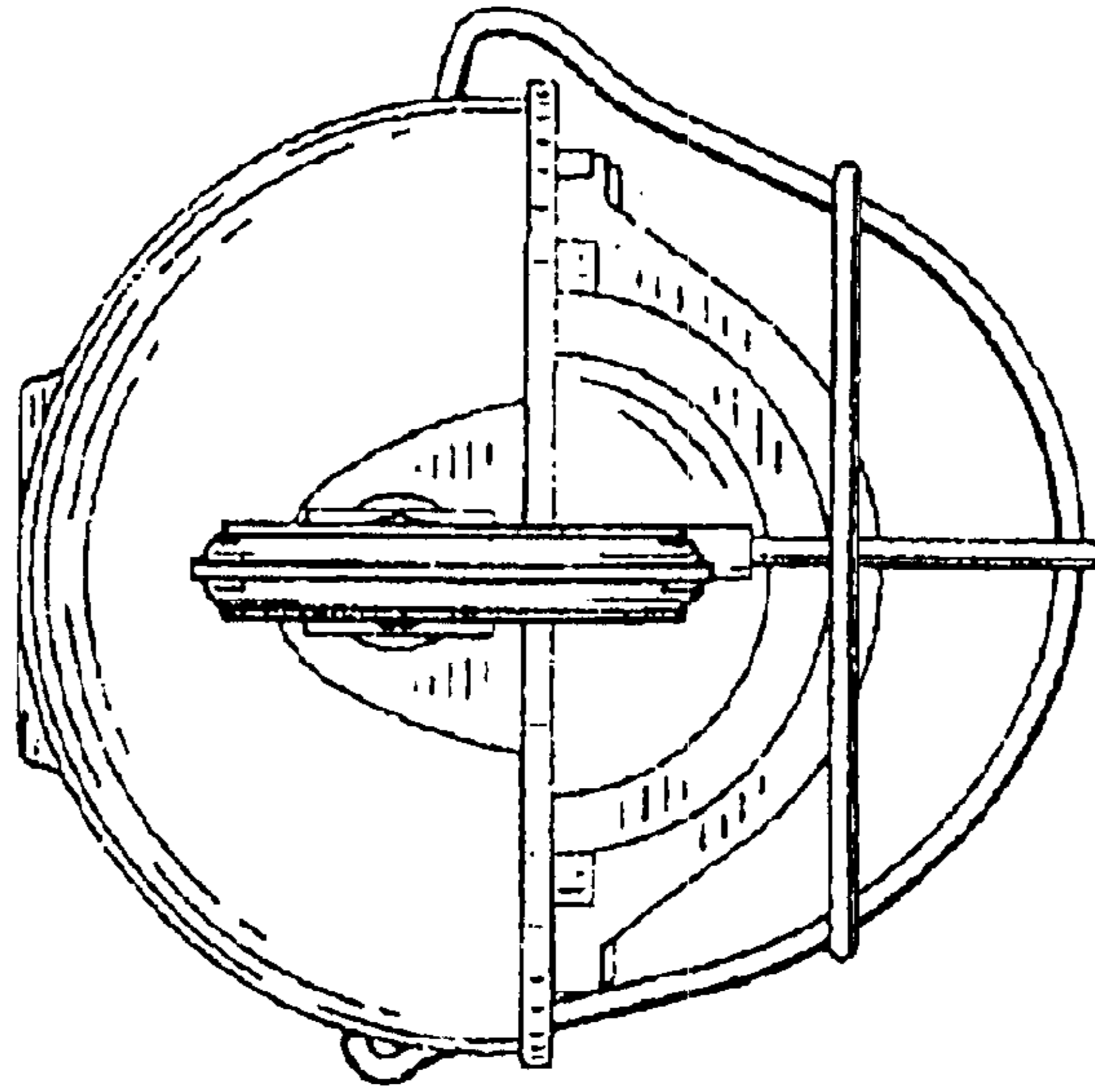
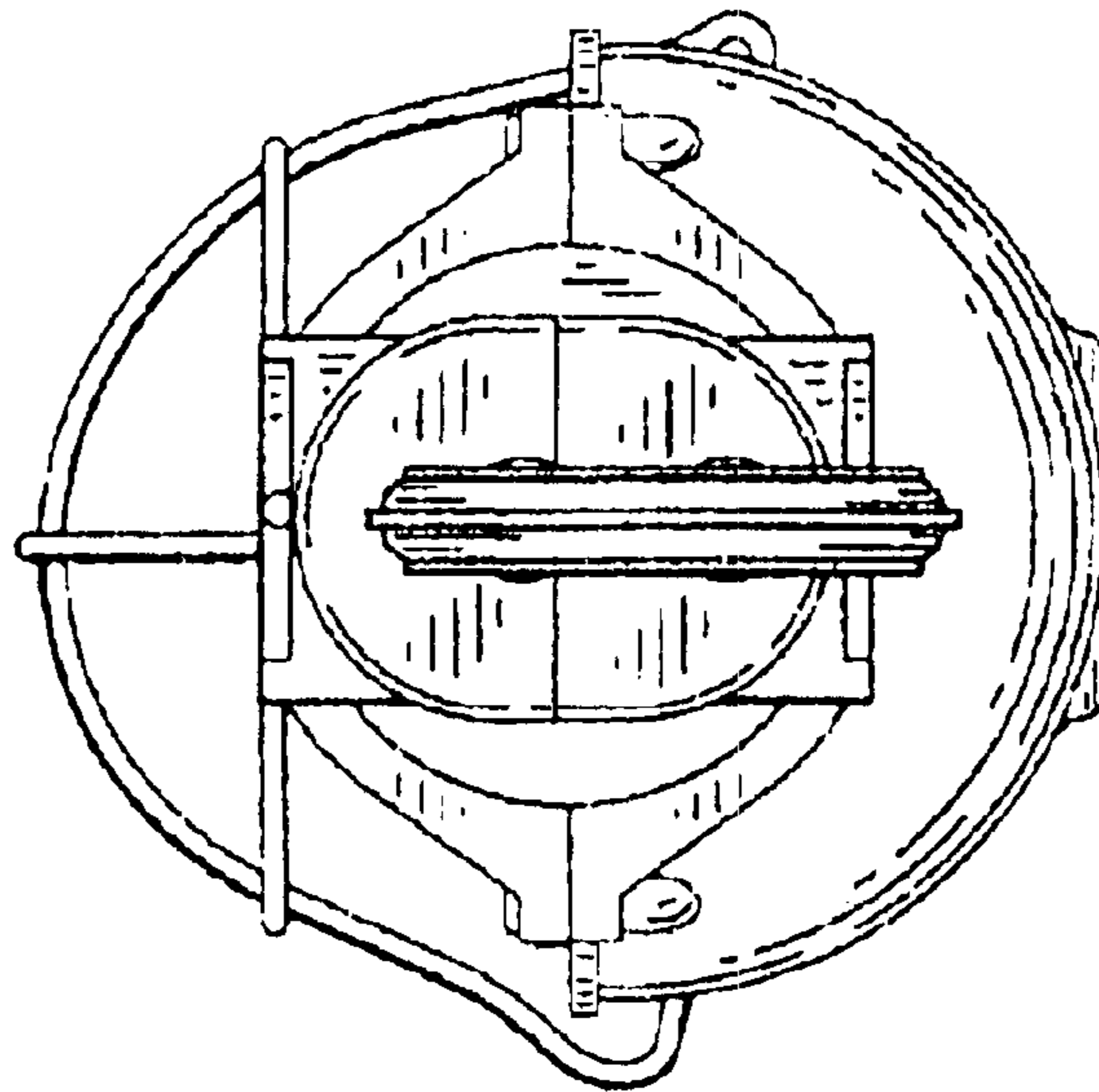


FIG. 4



**FIG. 5**



**FIG. 6**