

US00D500381S

(12) **United States Design Patent**
Chen

(10) **Patent No.:** **US D500,381 S**

(45) **Date of Patent:** **** Dec. 28, 2004**

(54) **STARLIGHT SOLAR LIGHT**

(75) **Inventor:** **Chi Gon Chen**, Guang Shou (CN)

(73) **Assignee:** **International Development Corporation**, Southlake, TX (US)

(**) **Term:** **14 Years**

(21) **Appl. No.:** **29/202,925**

(22) **Filed:** **Apr. 7, 2004**

(51) **LOC (7) Cl.** **26-05**

(52) **U.S. Cl.** **D26/68; D26/67**

(58) **Field of Search** D26/67-72, 87,
D26/92, 118; 362/152, 153, 153.1, 159,
183, 266, 363, 431, 432

(56) **References Cited**

U.S. PATENT DOCUMENTS

5,274,609	A	*	12/1993	Bradley	362/179
5,384,694	A	*	1/1995	Yang	362/298
6,183,112	B1	*	2/2001	Bomas	362/285
D445,209	S		7/2001	Chen		
D445,210	S		7/2001	Chen		
D445,524	S		7/2001	Chen		
D445,525	S		7/2001	Pan		
D445,939	S		7/2001	Pan		
D451,620	S		12/2001	Chen		
D452,029	S		12/2001	Chen		
6,357,892	B1	*	3/2002	Beadle	362/267
D457,979	S		5/2002	Chen		
D466,243	S		11/2002	Chen		
D468,470	S		1/2003	Chen		
D468,471	S		1/2003	Chen		
D469,907	S		2/2003	Chen		
D469,908	S		2/2003	Chen		
D469,909	S		2/2003	Chen		
D483,138	S		12/2003	Chen		
D484,630	S		12/2003	Chen		
D484,631	S		12/2003	Chen		

D485,000	S		1/2004	Chen		
D485,001	S		1/2004	Chen		
D485,930	S	*	1/2004	Chen	D26/67
D488,576	S	*	4/2004	Chen	D26/67
6,719,442	B1		4/2004	Chen		

FOREIGN PATENT DOCUMENTS

CA		99516		6/2003
CA		99517		6/2003
CA		99518		6/2003
CA		99519		6/2003
CA		100603		2/2004

OTHER PUBLICATIONS

Crystal Light #LX3/ML30403 from INTERMATIC'S Standard Series, Malibu Lighting. Found online at intermatic.com on Aug. 24, 2004.*

* cited by examiner

Primary Examiner—Clare E Heflin

(74) *Attorney, Agent, or Firm*—Gardere Wynne Sewell LLP; Kenneth T. Emanuelson

(57) **CLAIM**

The ornamental design for a starlight solar light, as shown and described.

DESCRIPTION

FIG. 1 is a perspective view of a starlight solar light in accordance with my invention;

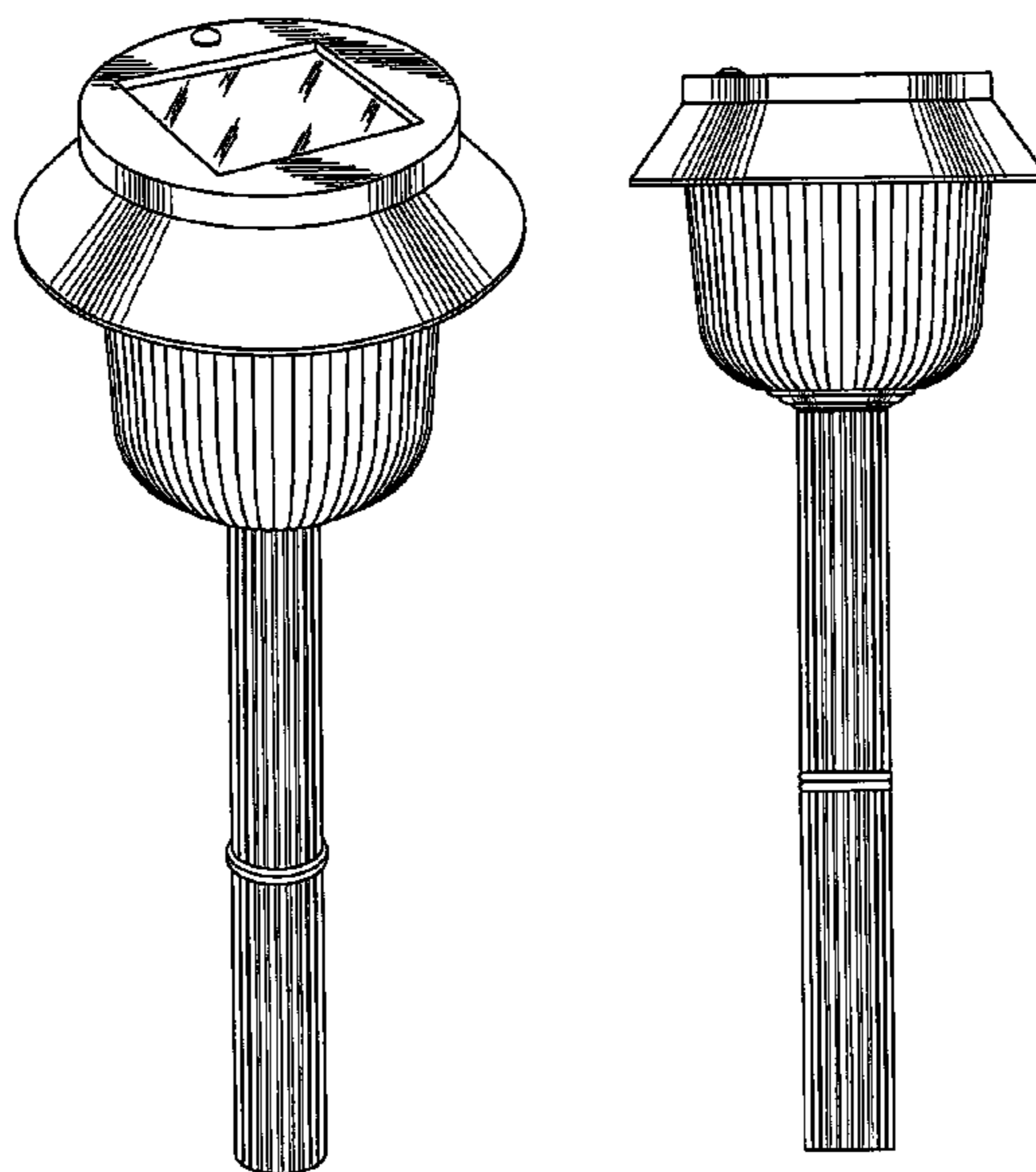
FIG. 2 is a SIDE view of the starlight solar light shown in FIG. 1;

FIG. 3 is a TOP view of the starlight solar light shown in FIG. 1; and,

FIG. 4 is a bottom view of the starlight solar light shown in FIG. 1.

The broken lines shown on the drawing are for illustrative purposes only and form no part of the claimed design.

1 Claim, 1 Drawing Sheet



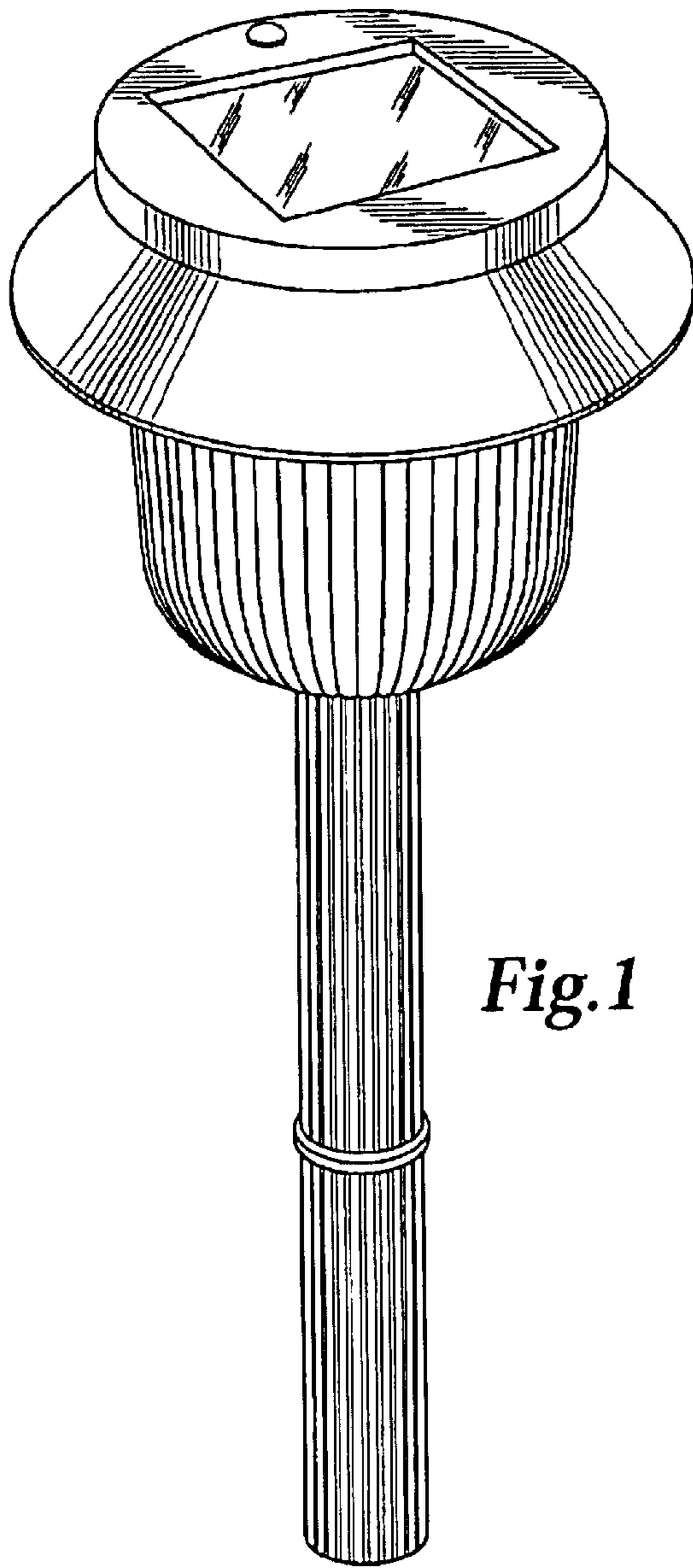


Fig. 1

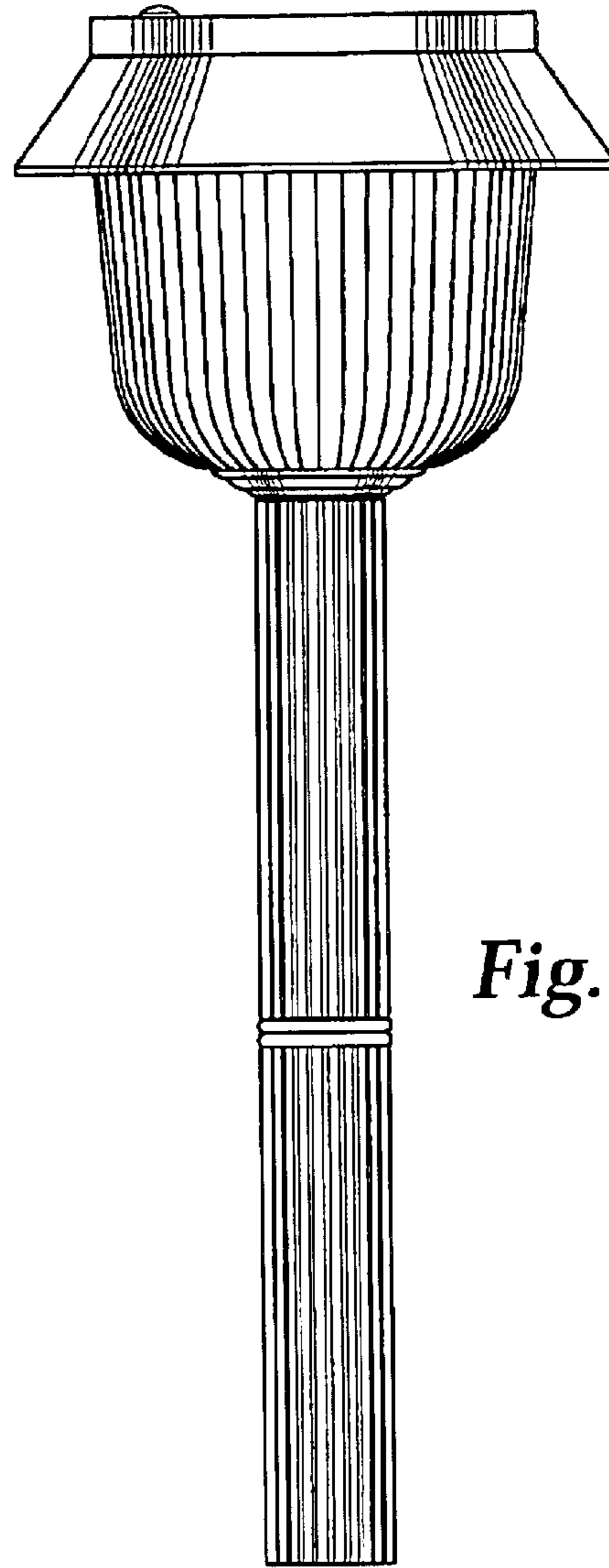


Fig. 2

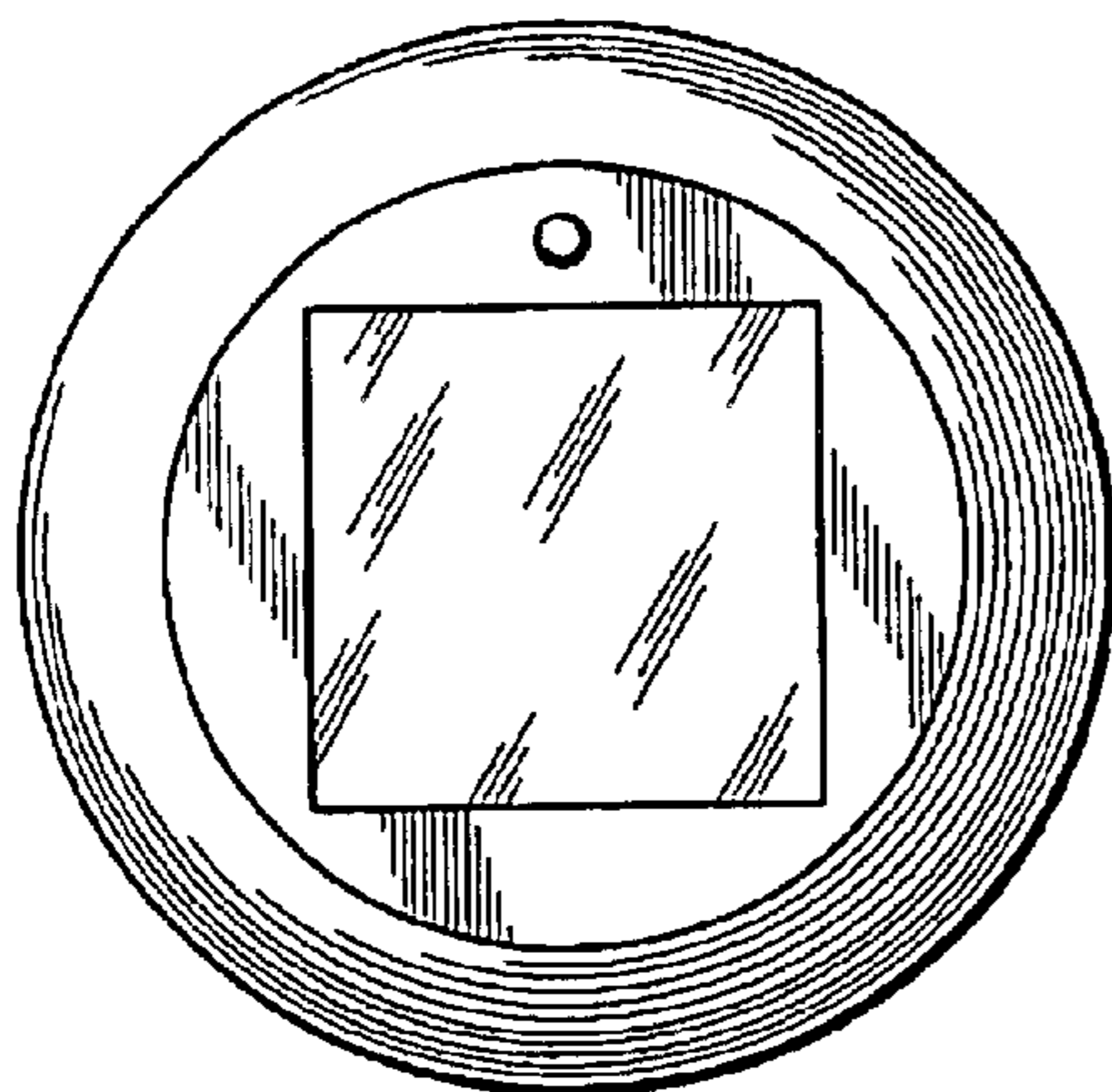


Fig. 3

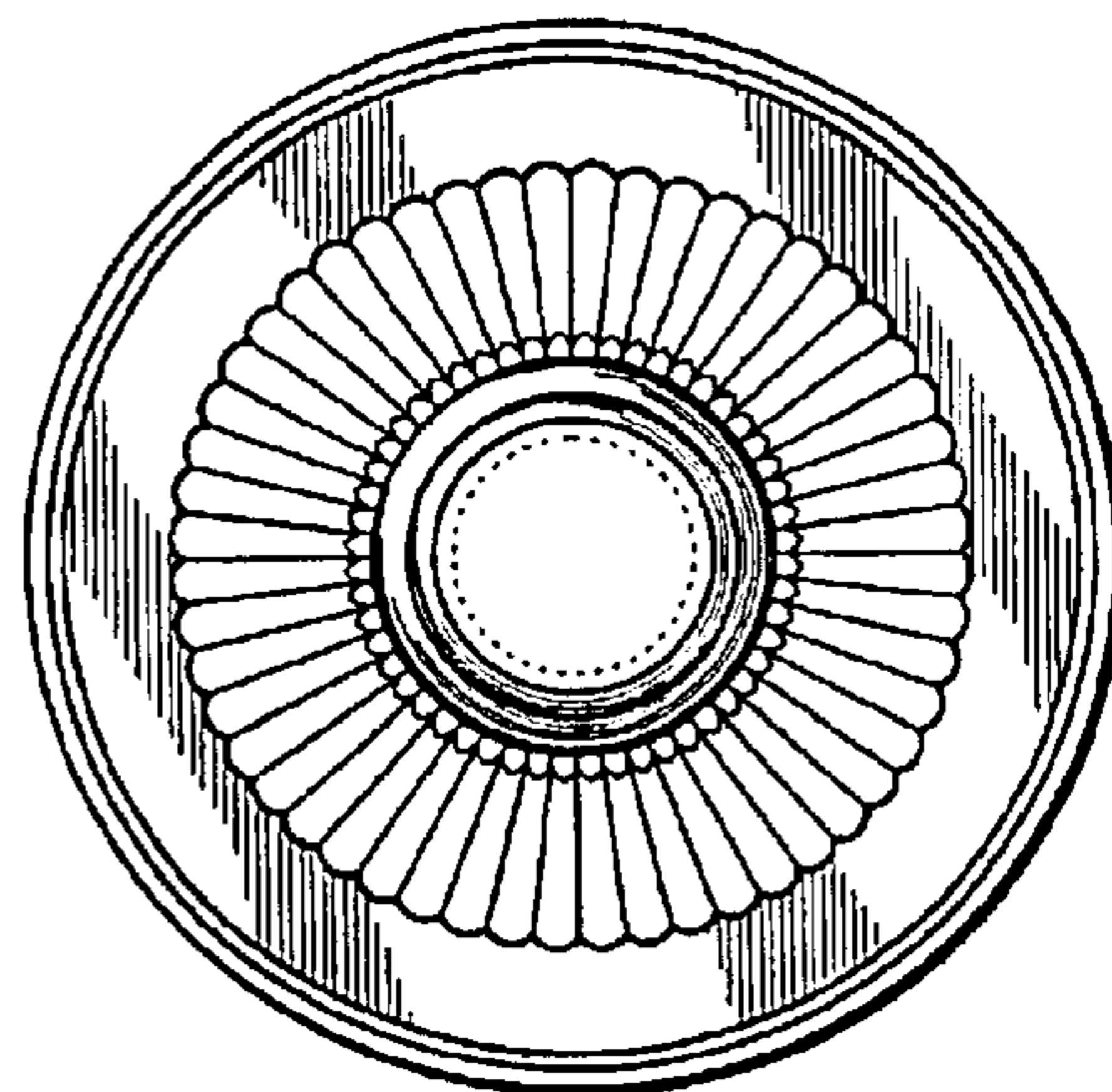


Fig. 4