



US00D500378S

(12) **United States Design Patent** (10) **Patent No.:** **US D500,378 S**
Kung (45) **Date of Patent:** **** Dec. 28, 2004**

(54) **FLASHLIGHT**

(75) Inventor: **Kenneth Kung**, Tai Tam (HK)

(73) Assignee: **Tung Fat Industries Ltd.**, Kowloon (CN)

(**) Term: **14 Years**

(21) Appl. No.: **29/198,323**

(22) Filed: **Jan. 27, 2004**

(51) **LOC (7) Cl.** **26-02**

(52) **U.S. Cl.** **D26/40**

(58) **Field of Search** D26/37-50; 362/157, 362/158, 171-174, 183-208

(56) **References Cited**

U.S. PATENT DOCUMENTS

D429,832 S	*	8/2000	Poon	D26/40
D483,892 S	*	12/2003	Poon	D26/40
D488,575 S	*	4/2004	Aguilera	D26/40

* cited by examiner

Primary Examiner—Marcus A. Jackson

(74) *Attorney, Agent, or Firm*—Ladas & Parry

(57) **CLAIM**

The ornamental design for a flashlight, as shown and described.

DESCRIPTION

FIG. 1 is a perspective view of a first embodiment of my design for a flashlight;

FIG. 2 is another perspective view of the first embodiment of my design to illustrate an alternative position of a hook which may be embedded in the handle of the flashlight;

FIG. 3 is a front view of the first embodiment;

FIG. 4 is a back view of the first embodiment;

FIG. 5 is a right side view of the first embodiment; a right side view of a second embodiment is also depicted by this FIG. 5;

FIG. 6 is a left side view of the first embodiment; a left side view of the second embodiment is also depicted by this FIG. 6;

FIG. 7 is a top view thereof; a top view of the second embodiment is also depicted in this FIG. 7;

FIG. 8 is a bottom view showing one embodiment thereof, this embodiment of the bottom view being usable with either the first or second embodiment of the flashlight;

FIG. 9 is a bottom view showing a second embodiment thereof, this embodiment of the bottom view being usable with either the first or second embodiment of the flashlight;

FIG. 10 is a left side view of the first embodiment showing an alternative position of a metal stand;

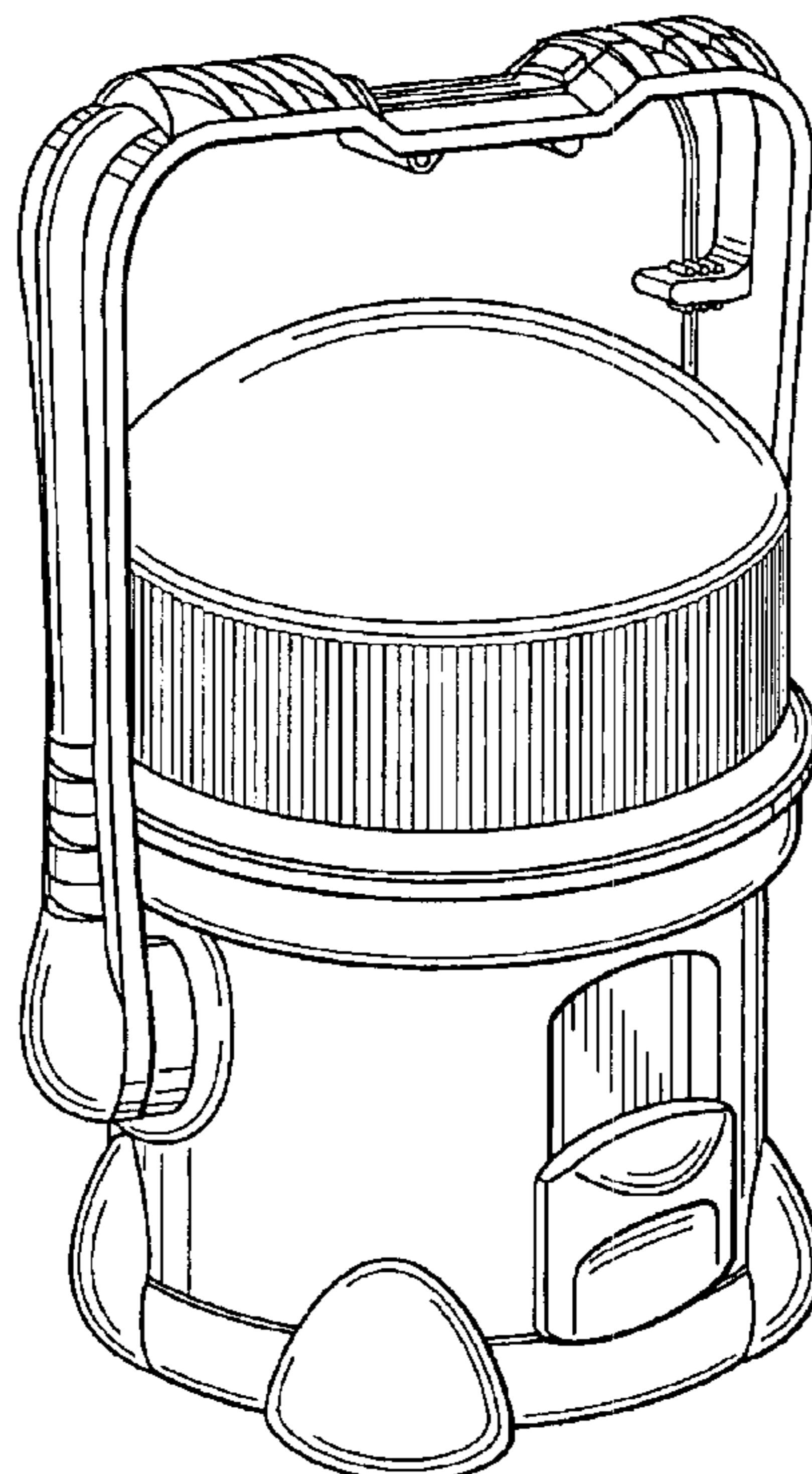
FIG. 11 is a perspective view of the second embodiment of my design for a flashlight;

FIG. 12 is another perspective view of the second embodiment of my design to illustrate an alternative position of a hook which may be embedded in the handle of the flashlight;

FIG. 13 is a front view of the second embodiment; and,

FIG. 14 is a back view of the second embodiment; the right side view, left side view and bottom view of the second embodiment being identical to the respective views of the first embodiment as mentioned above.

1 Claim, 11 Drawing Sheets



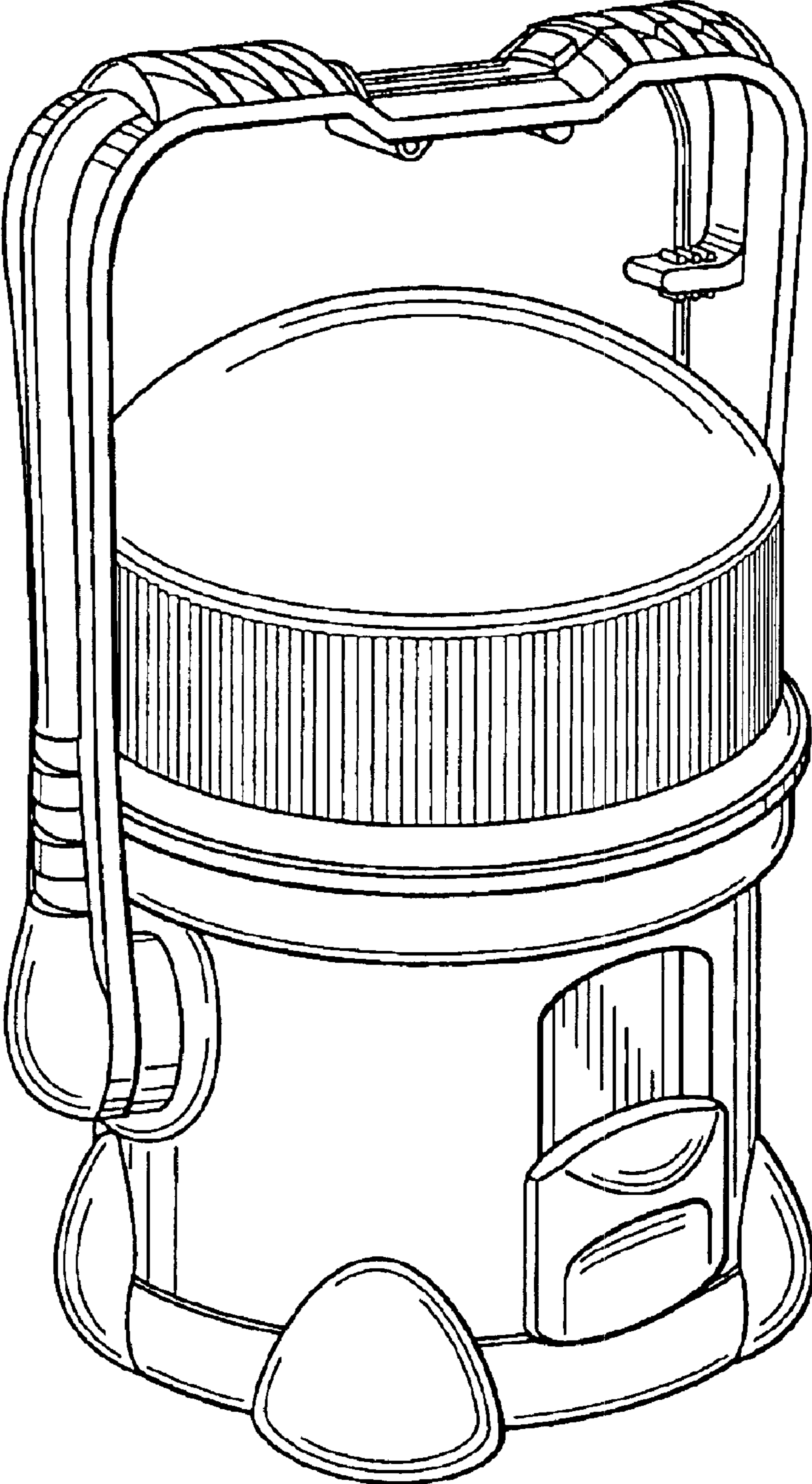


FIG. 1

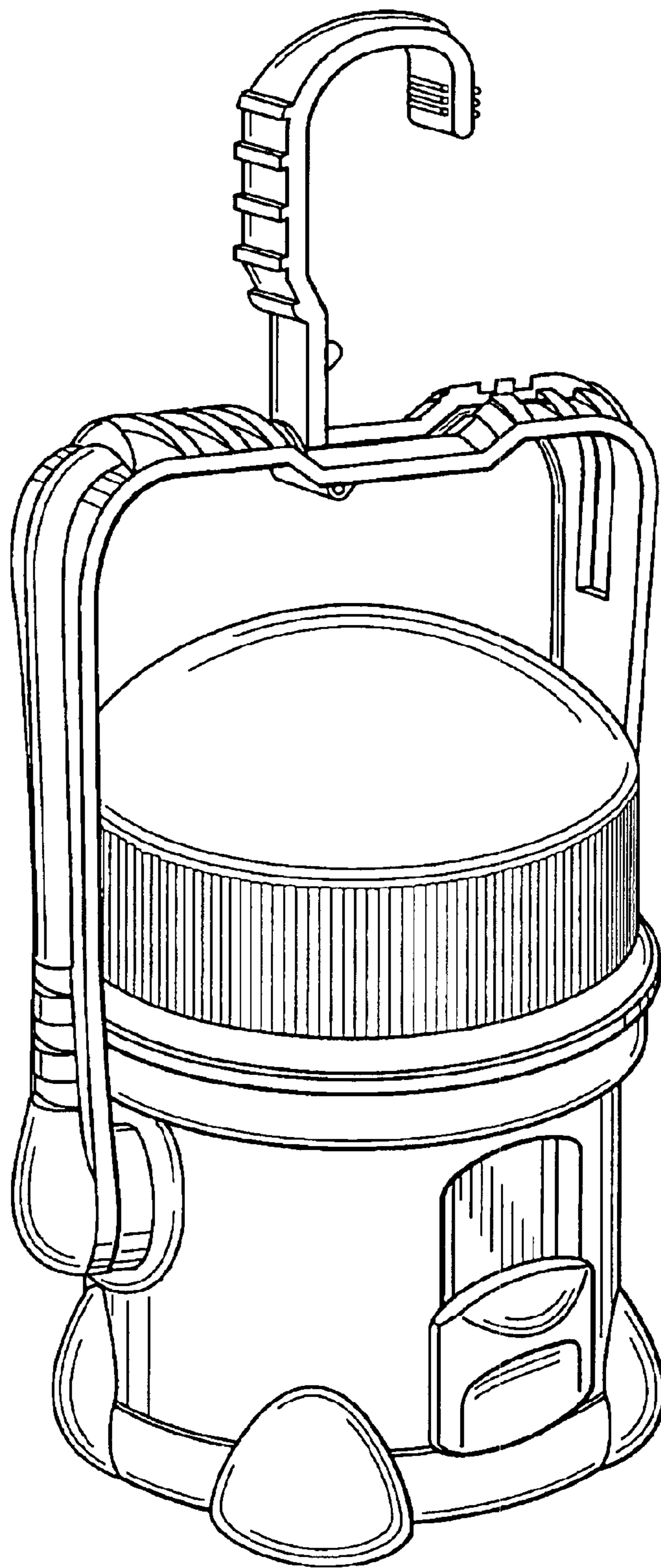


FIG. 2

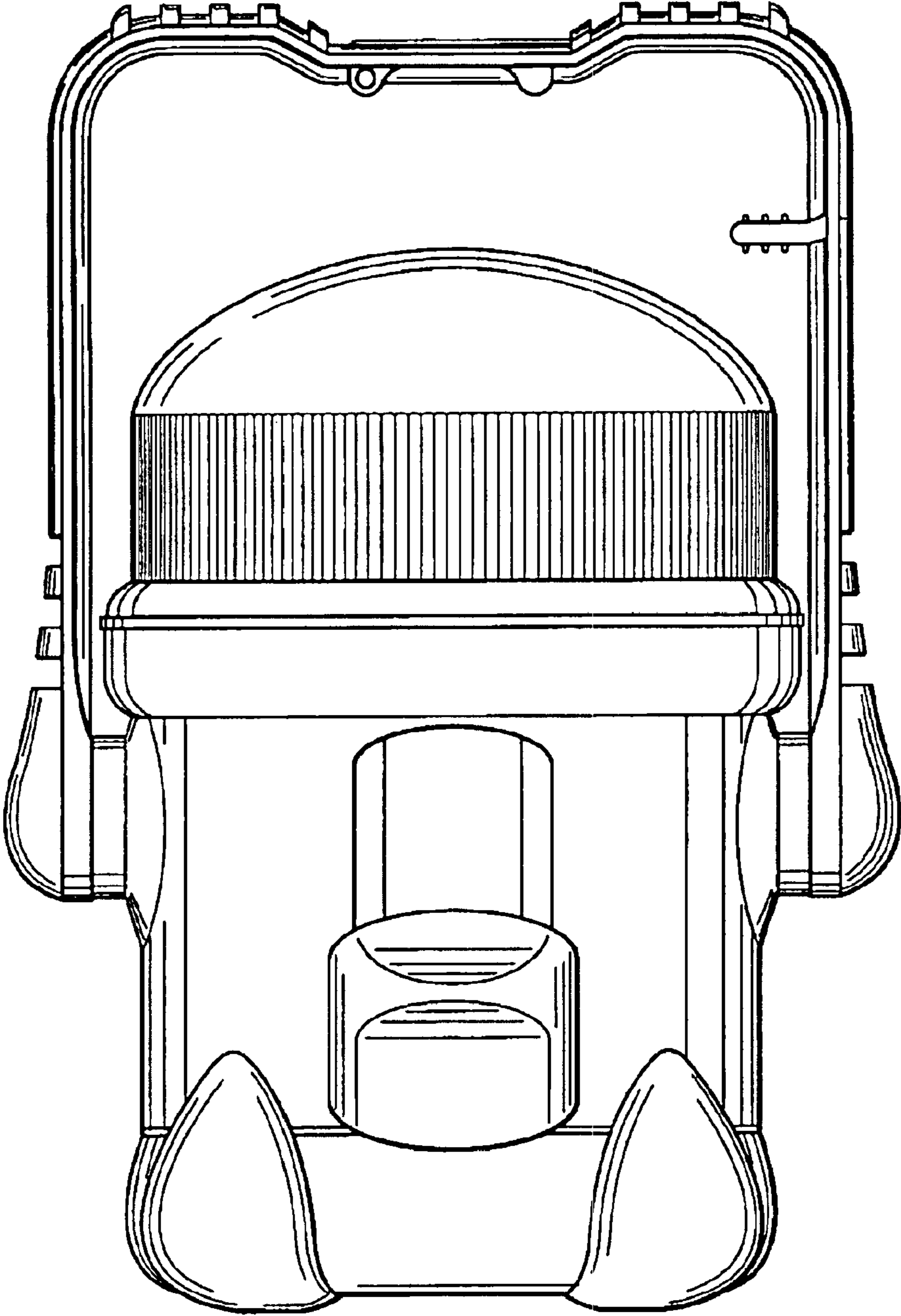


FIG. 3

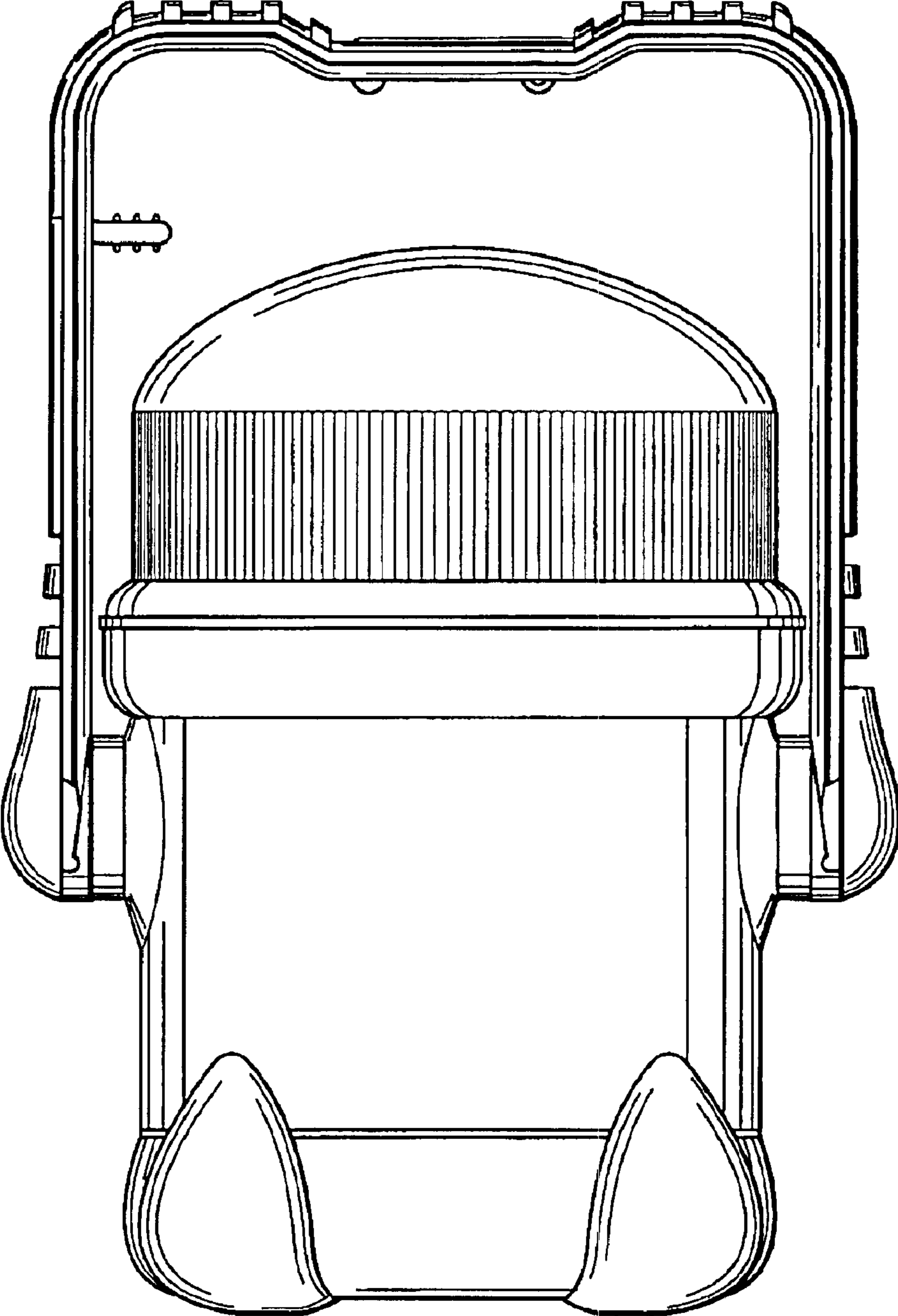


FIG. 4

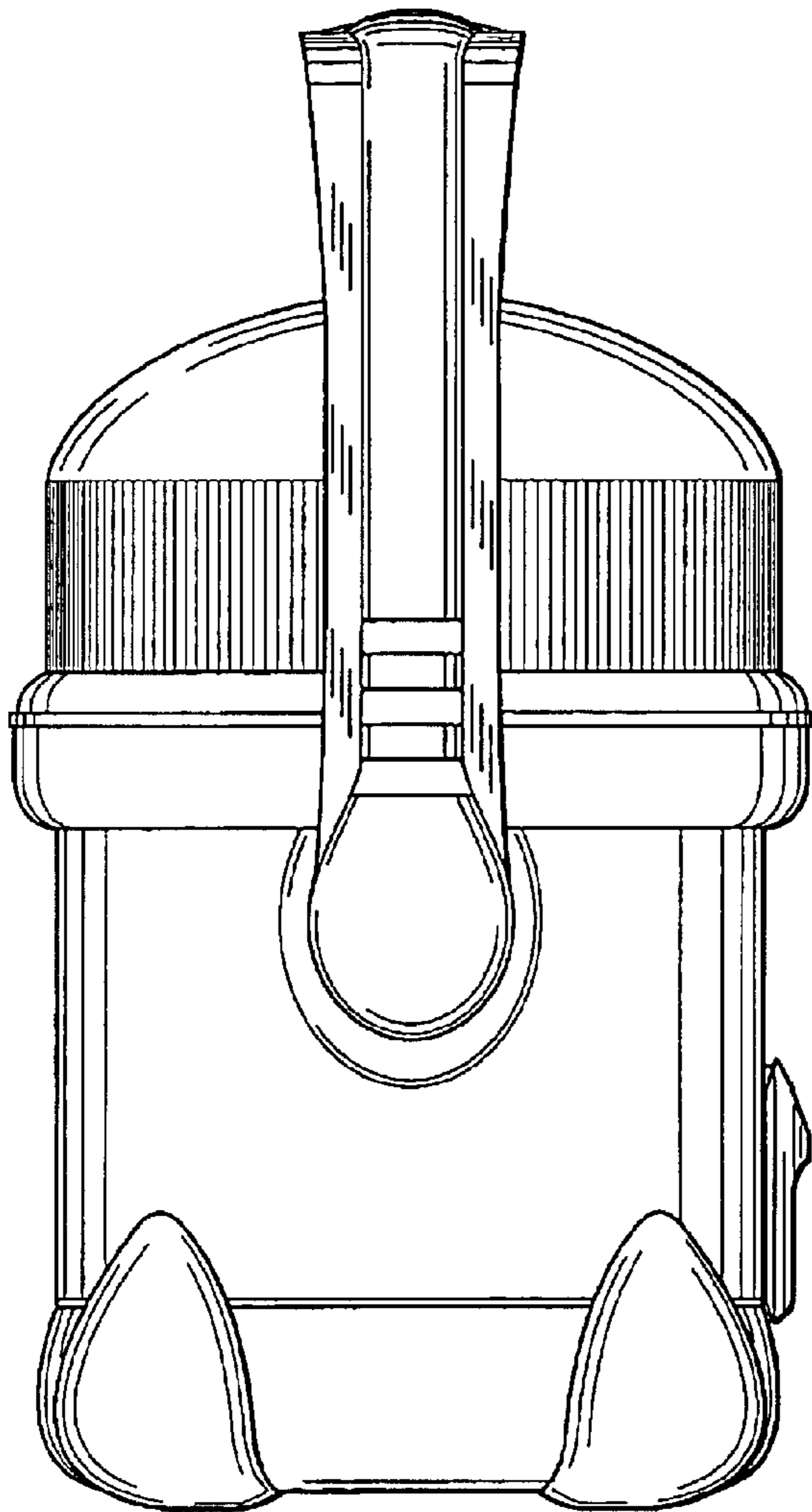


FIG. 5

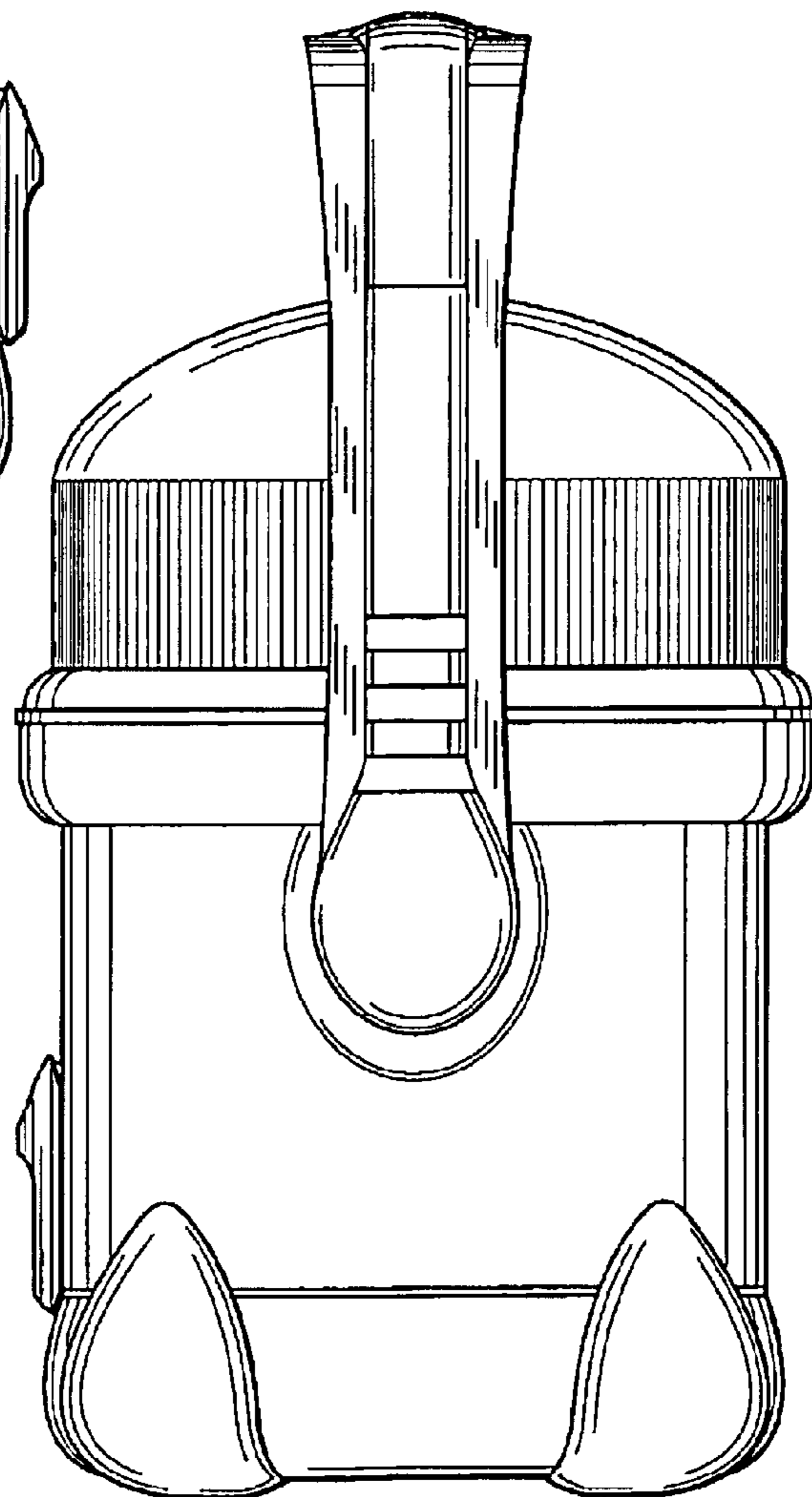


FIG. 6

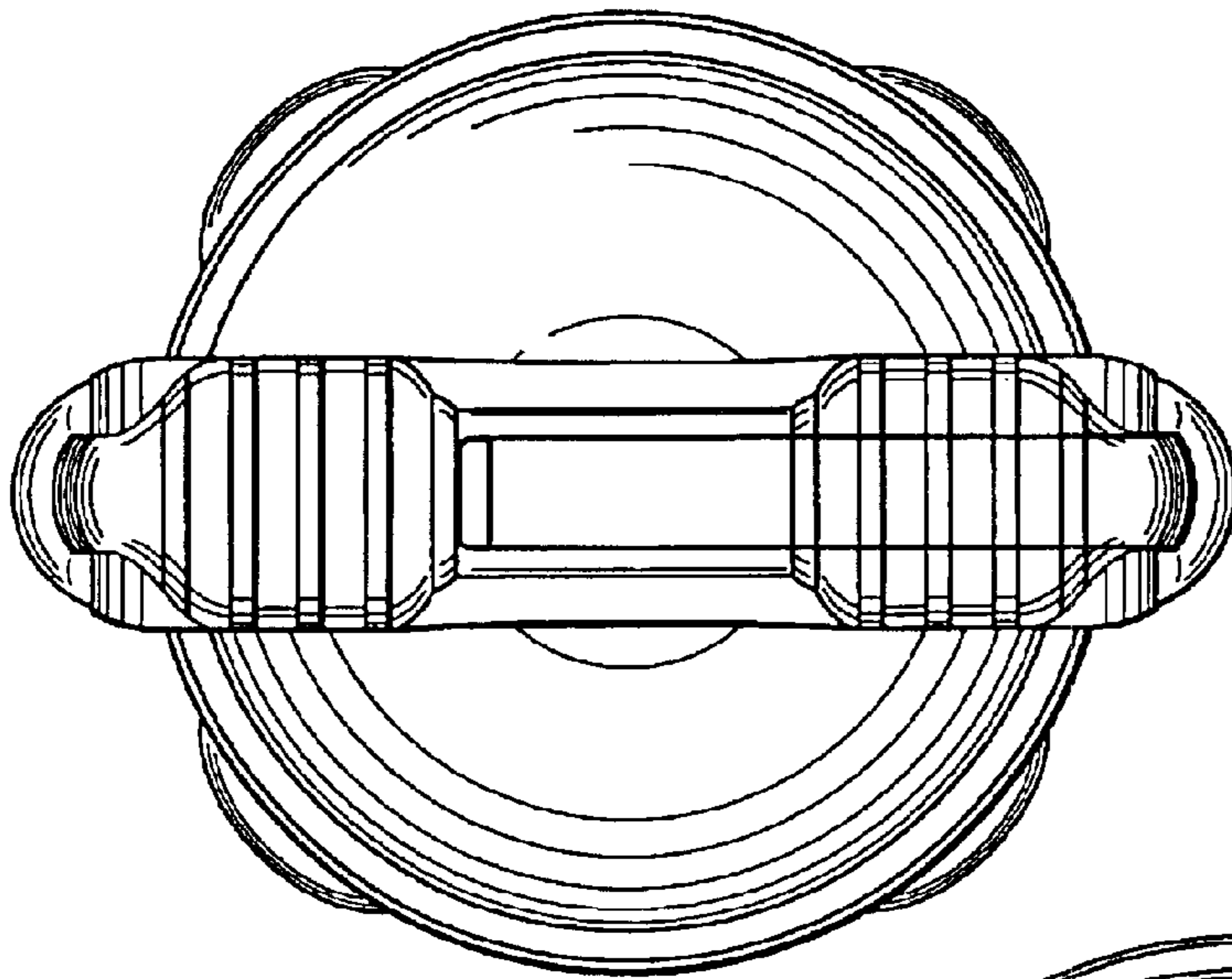


FIG. 7

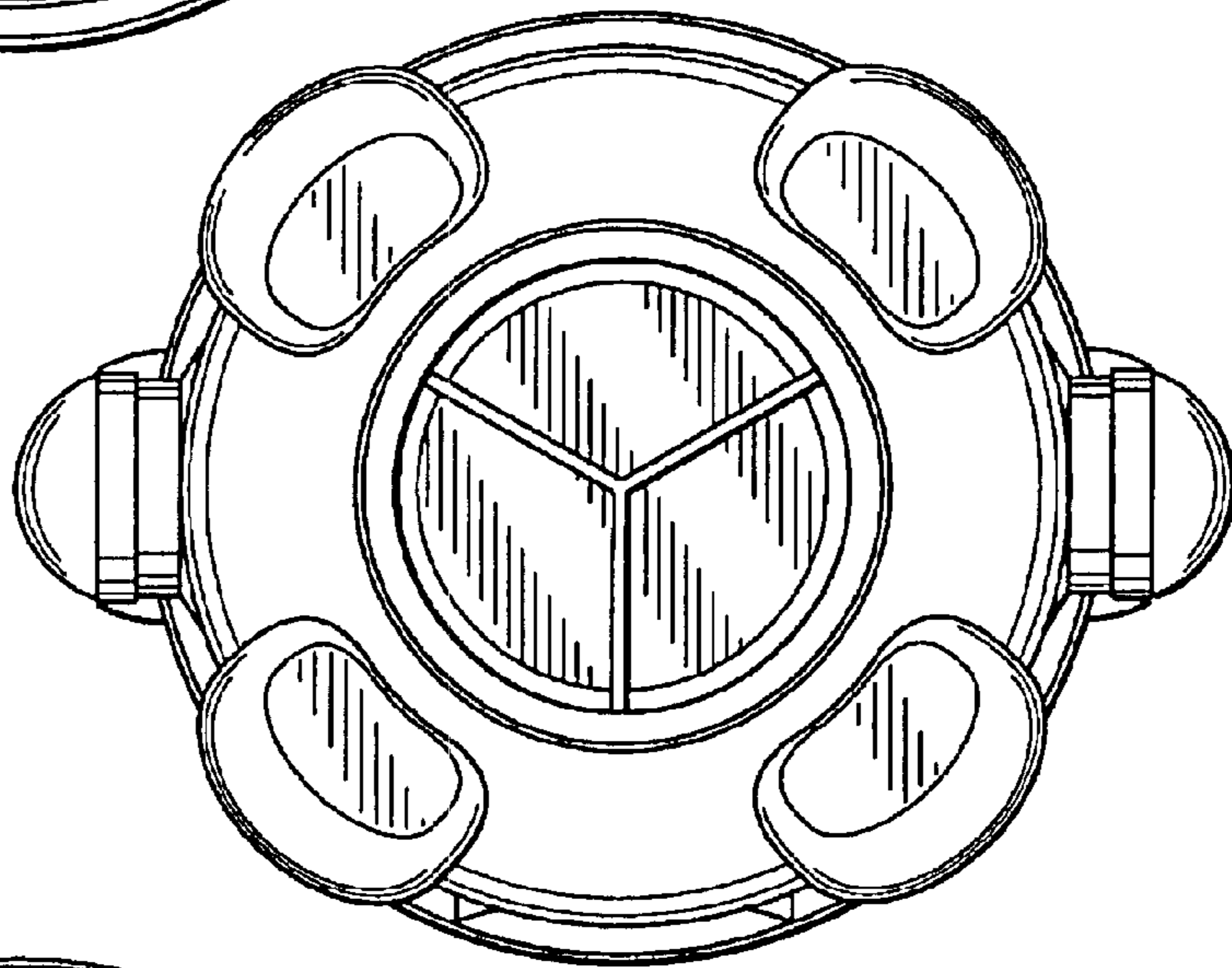


FIG. 8

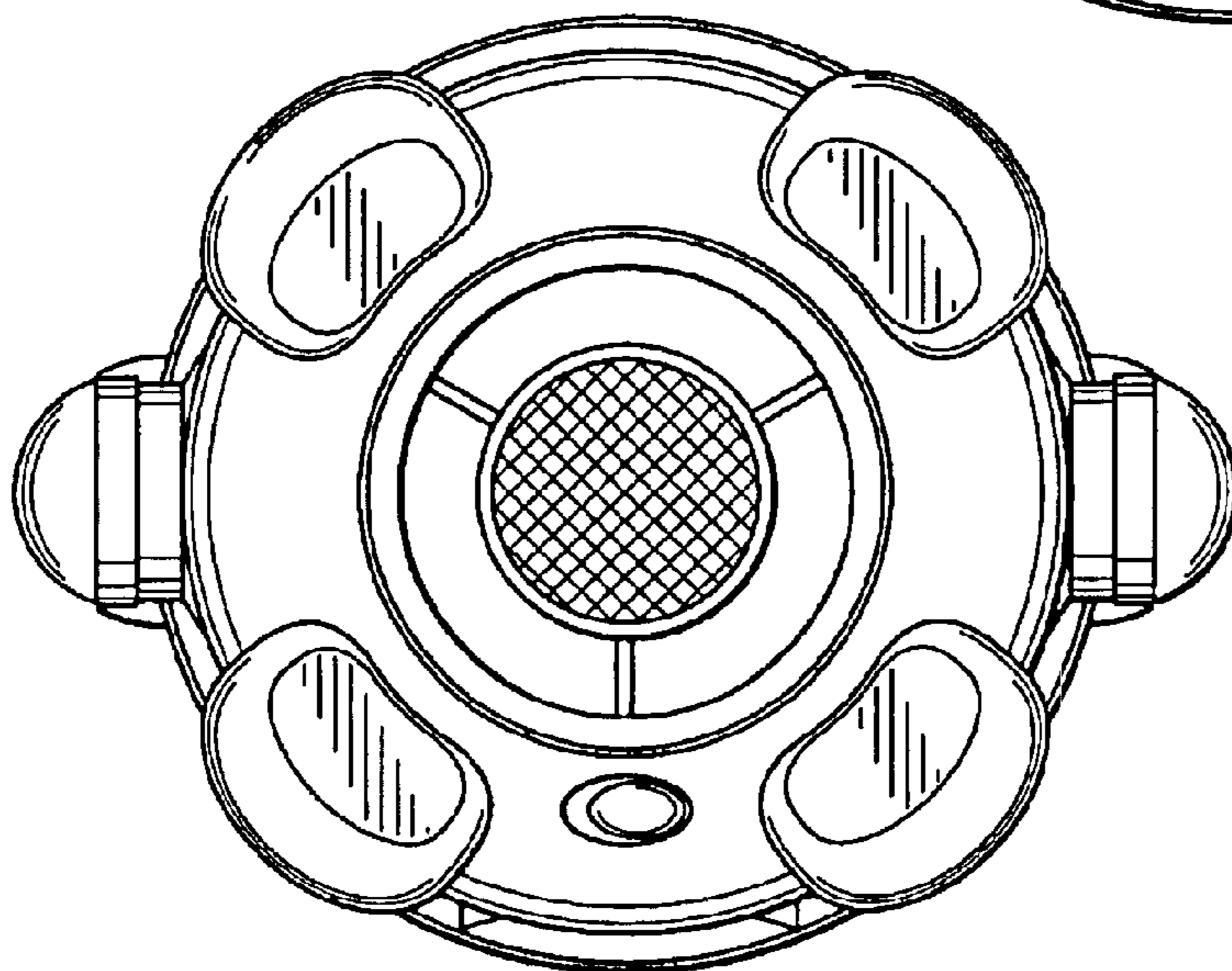


FIG. 9

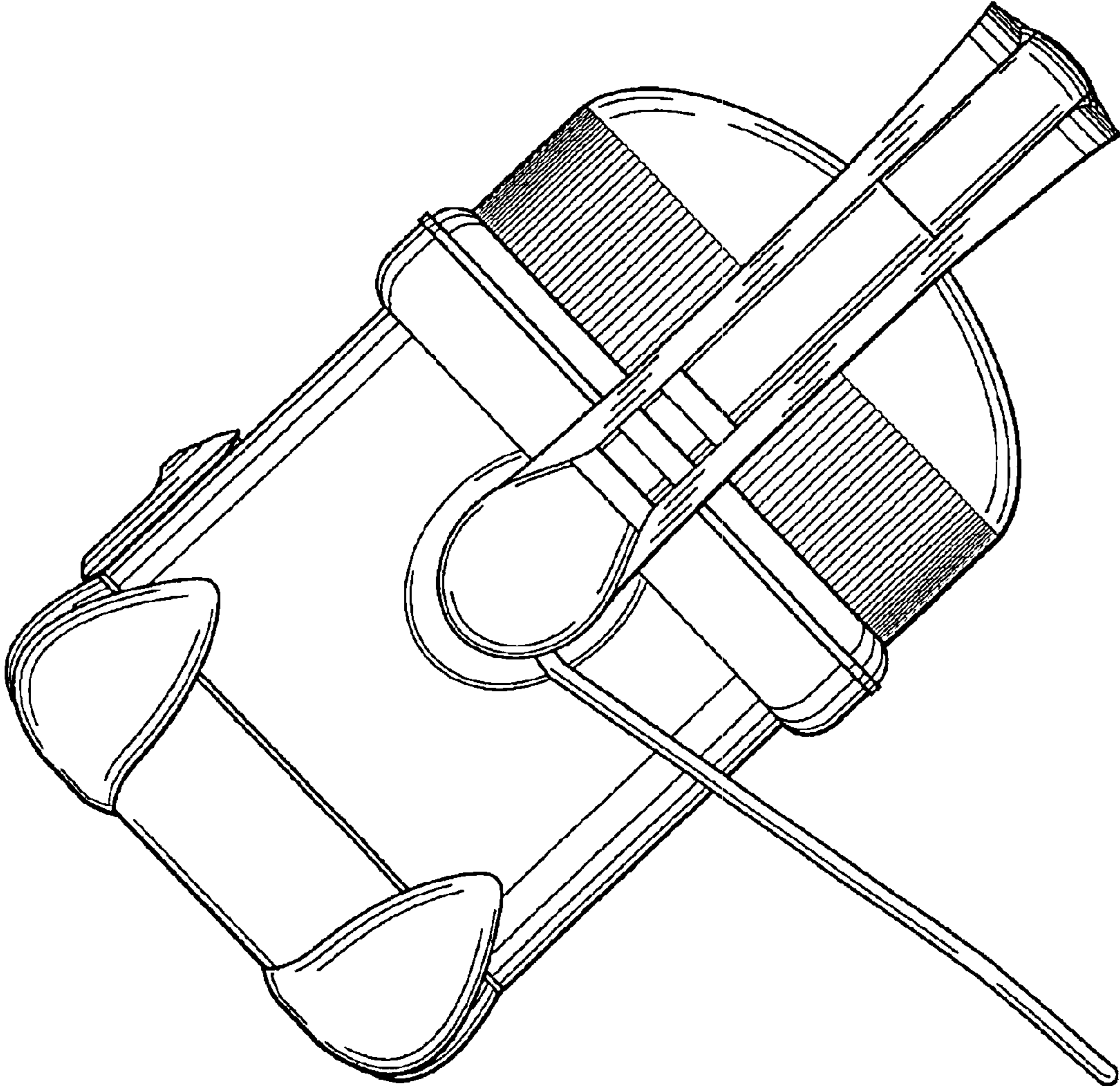


FIG. 10

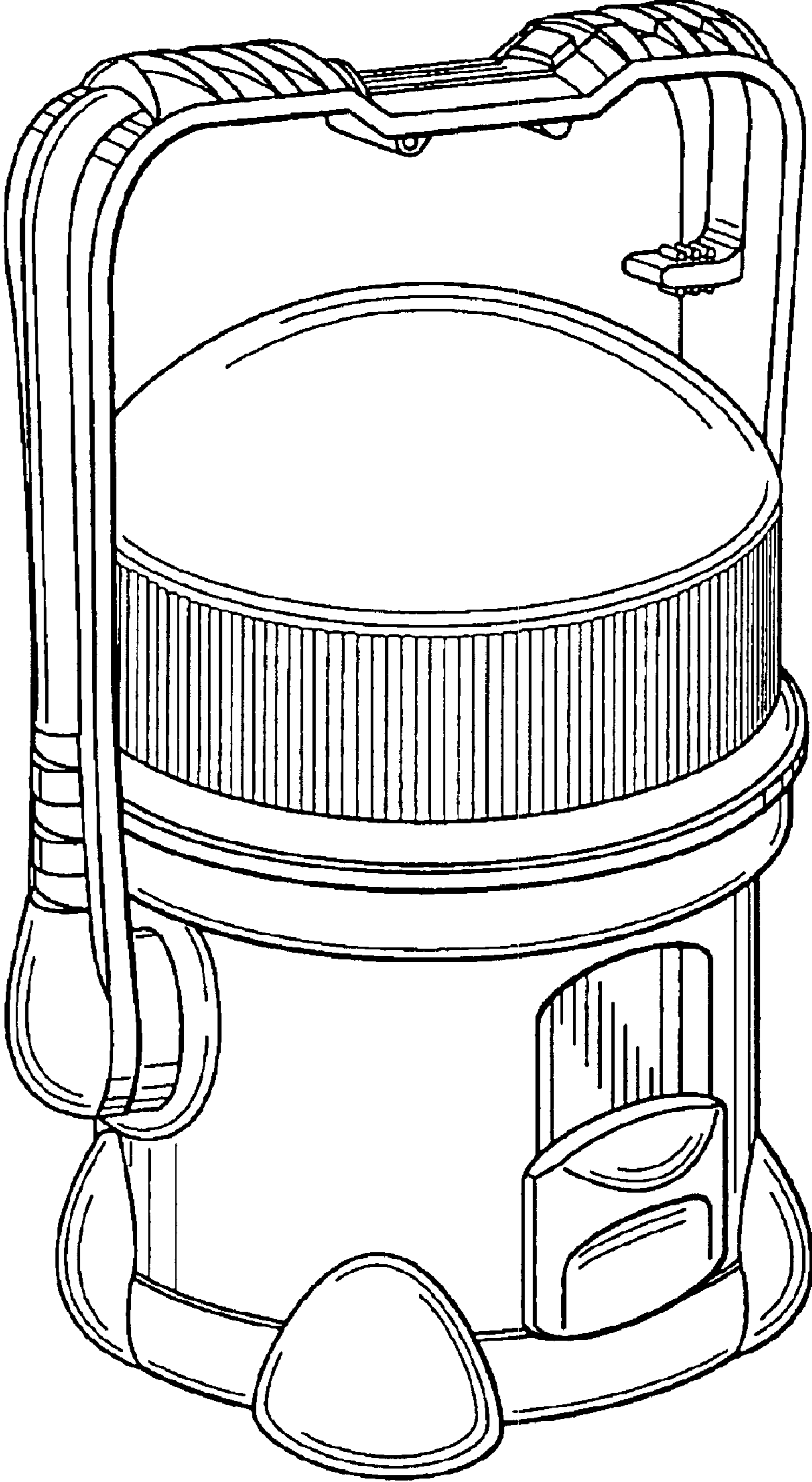


FIG. 11

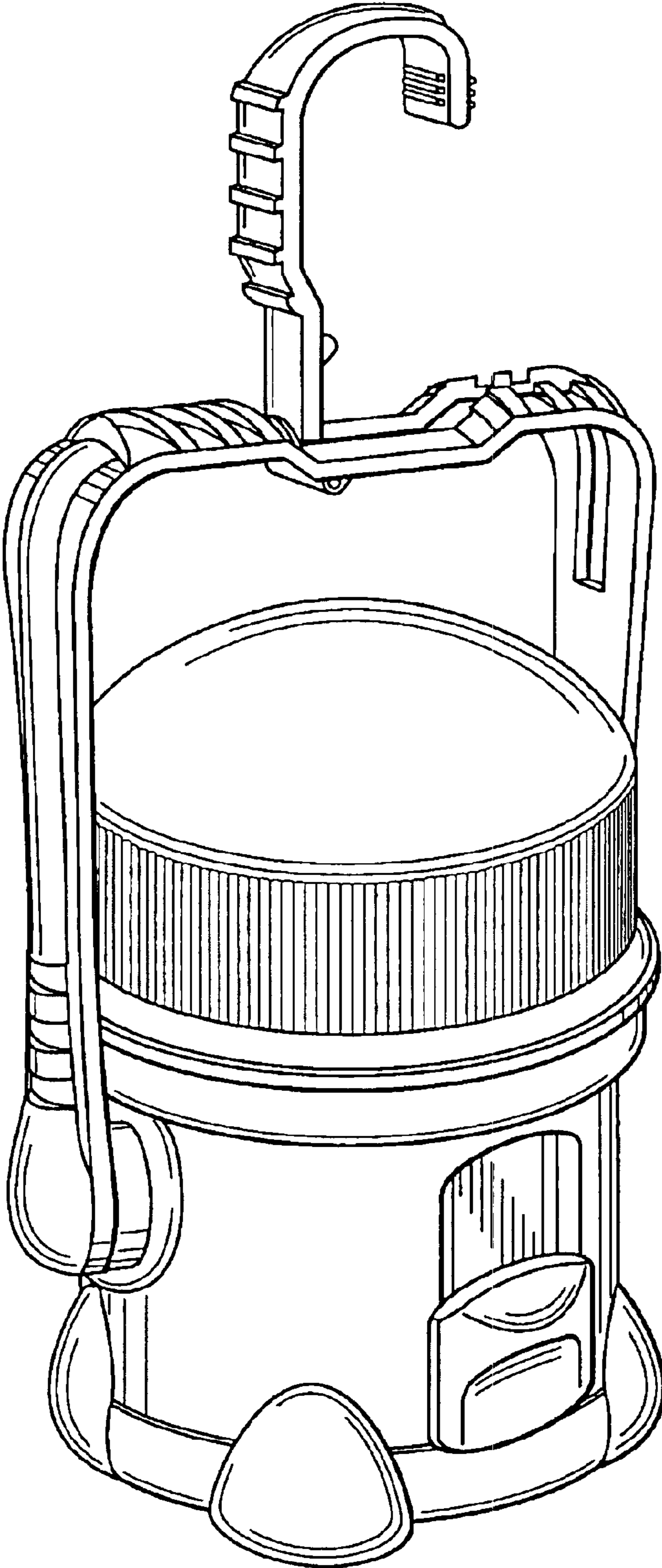


FIG. 12

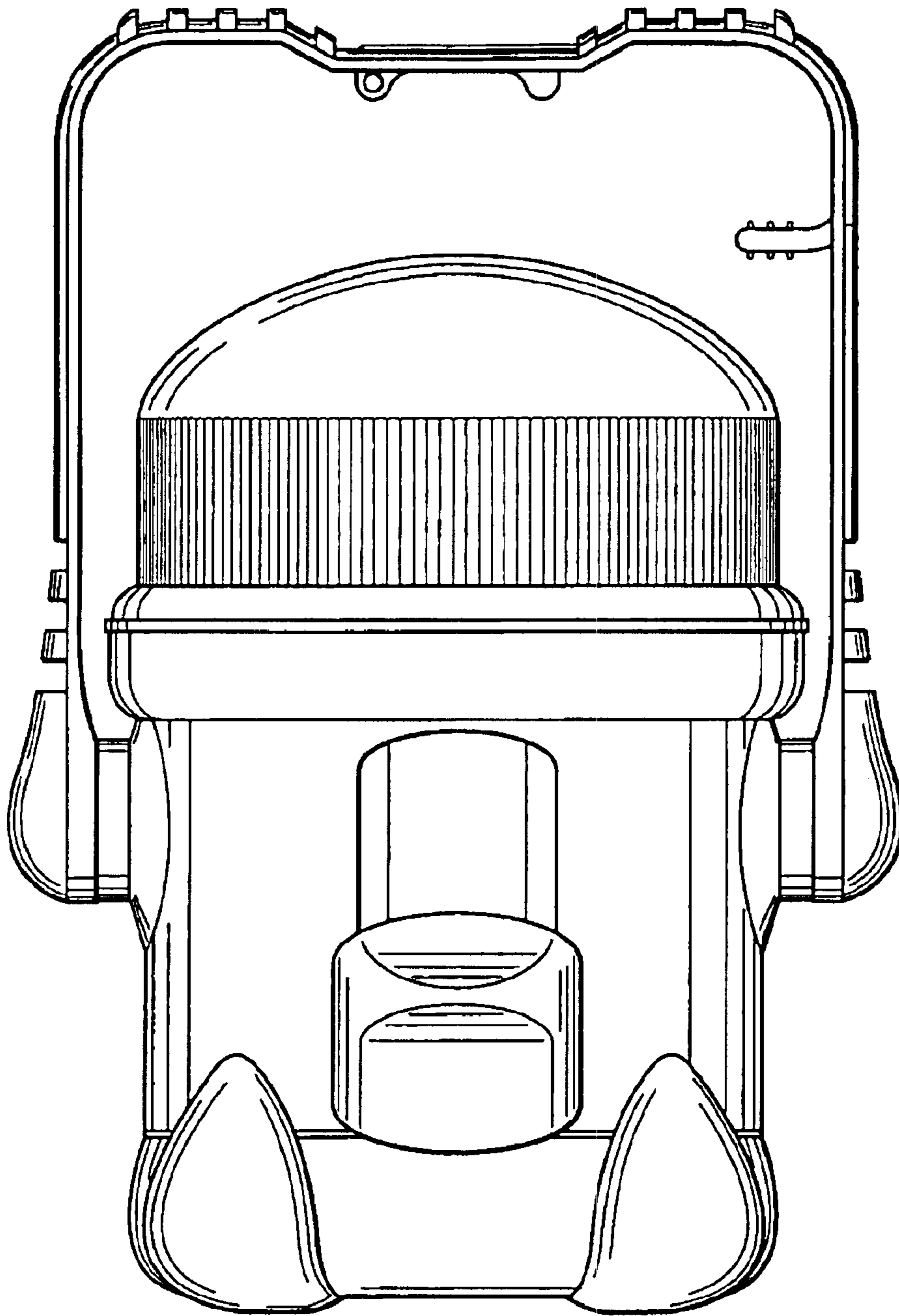


FIG. 13

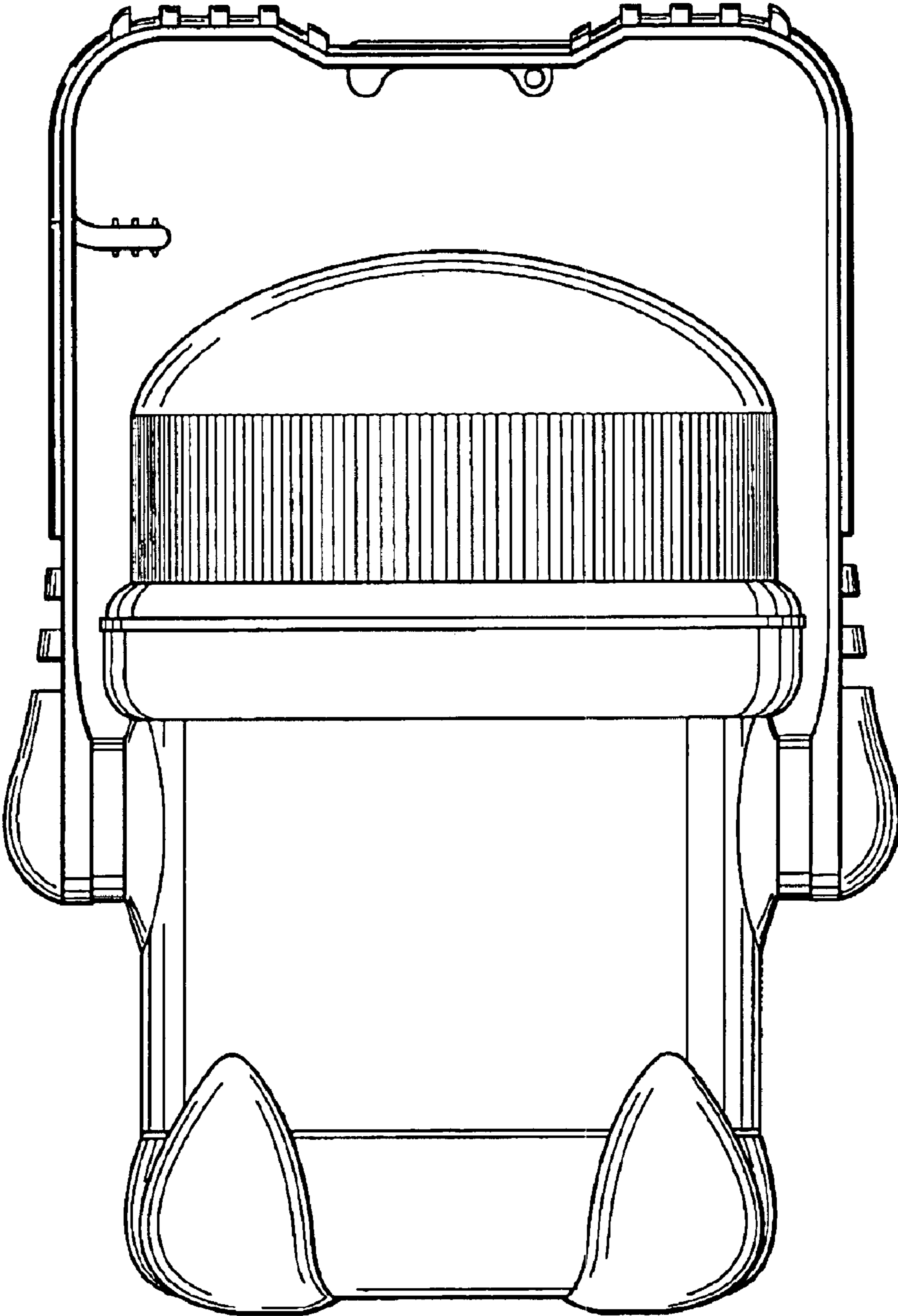


FIG. 14