

US00D500377S

(12) **United States Design Patent** (10) **Patent No.:** **US D500,377 S**  
**Yamamoto et al.** (45) **Date of Patent:** **\*\* Dec. 28, 2004**

(54) **HEADLAMP**

(75) Inventors: **Yukihiro Yamamoto**, Tokyo (JP);  
**Setsuo Ohtaka**, Tokyo (JP)

(73) Assignee: **FDK Corporation**, Tokyo (JP)

(\*\*) Term: **14 Years**

(21) Appl. No.: **29/200,650**

(22) Filed: **Mar. 2, 2004**

(30) **Foreign Application Priority Data**

Sep. 25, 2003 (JP) ..... 2003-027933

(51) **LOC (7) Cl.** ..... **26-02**

(52) **U.S. Cl.** ..... **D26/39**

(58) **Field of Search** ..... D26/37-50; 362/157,  
362/158, 171-174, 183-208

(56) **References Cited**

**U.S. PATENT DOCUMENTS**

- D470,615 S \* 2/2003 Janice et al. .... D26/39
- D472,998 S \* 4/2003 Paris et al. .... D26/39
- D482,473 S \* 11/2003 Shiu ..... D26/39
- D492,052 S \* 6/2004 Schnell ..... D26/39

\* cited by examiner

*Primary Examiner*—Marcus A. Jackson  
(74) *Attorney, Agent, or Firm*—Harness, Dickey & Pierce,  
P.L.C.

(57) **CLAIM**

The ornamental design for a headlamp, as shown and described.

**DESCRIPTION**

FIG. 1 is a front view of the headlamp showing our new design;

FIG. 2 is a top view thereof;

FIG. 3 is a rear view thereof;

FIG. 4 is a bottom view thereof;

FIG. 5 is a left side view thereof;

FIG. 6 is a right side view thereof;

FIG. 7 is a sectional view taken on line A—A of FIG. 1;

FIG. 8 is an upper perspective view, wherein a casing of lights is turned through about 90° from the position shown in FIG. 1; and,

FIG. 9 is a lower perspective view, wherein a casing of lights is turned through about 90° from the position shown in FIG. 1.

The strap is shown in broken lines in FIG. 8 for illustrative purpose only and forms no part of the claimed design.

**1 Claim, 4 Drawing Sheets**

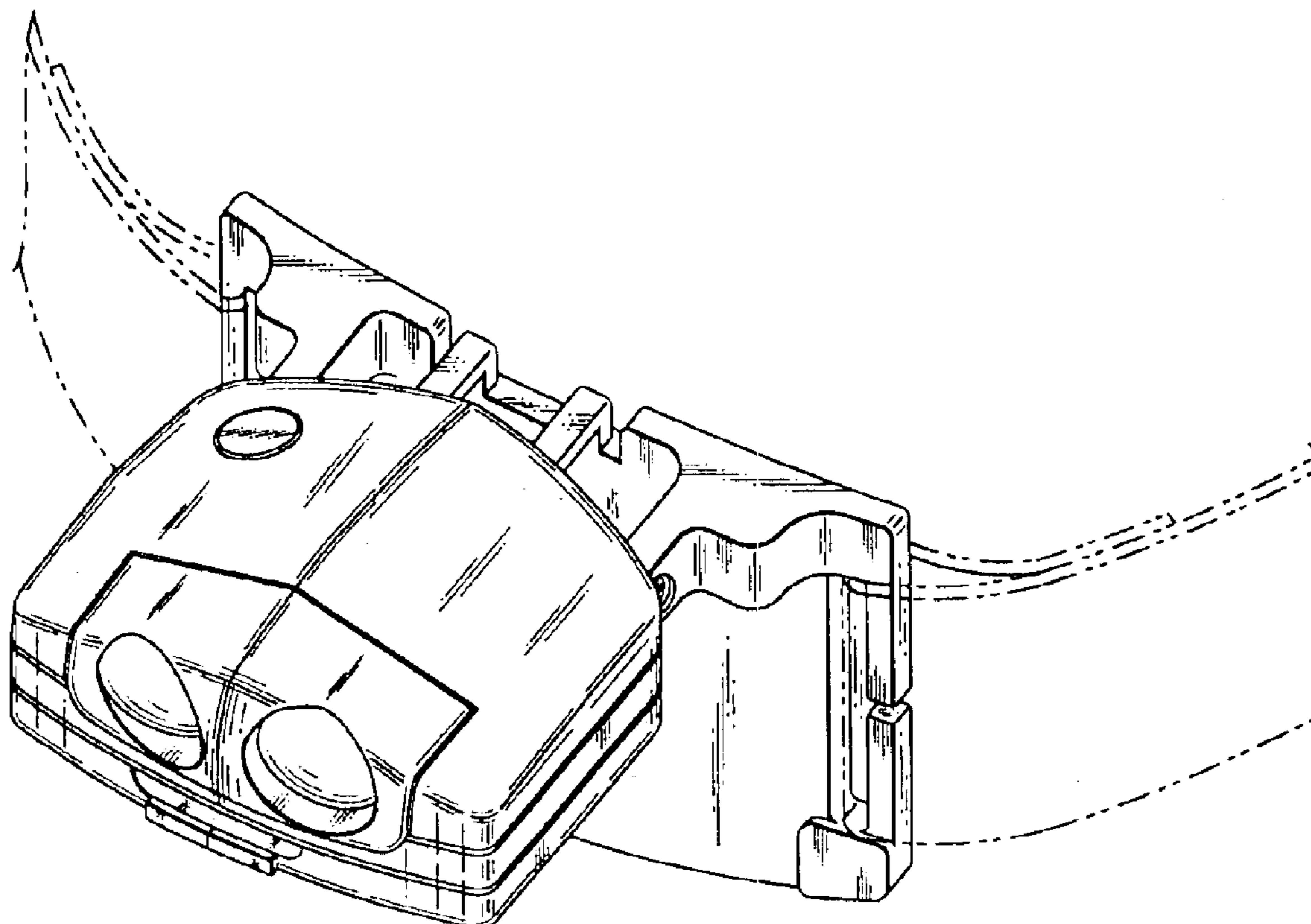


FIG.1

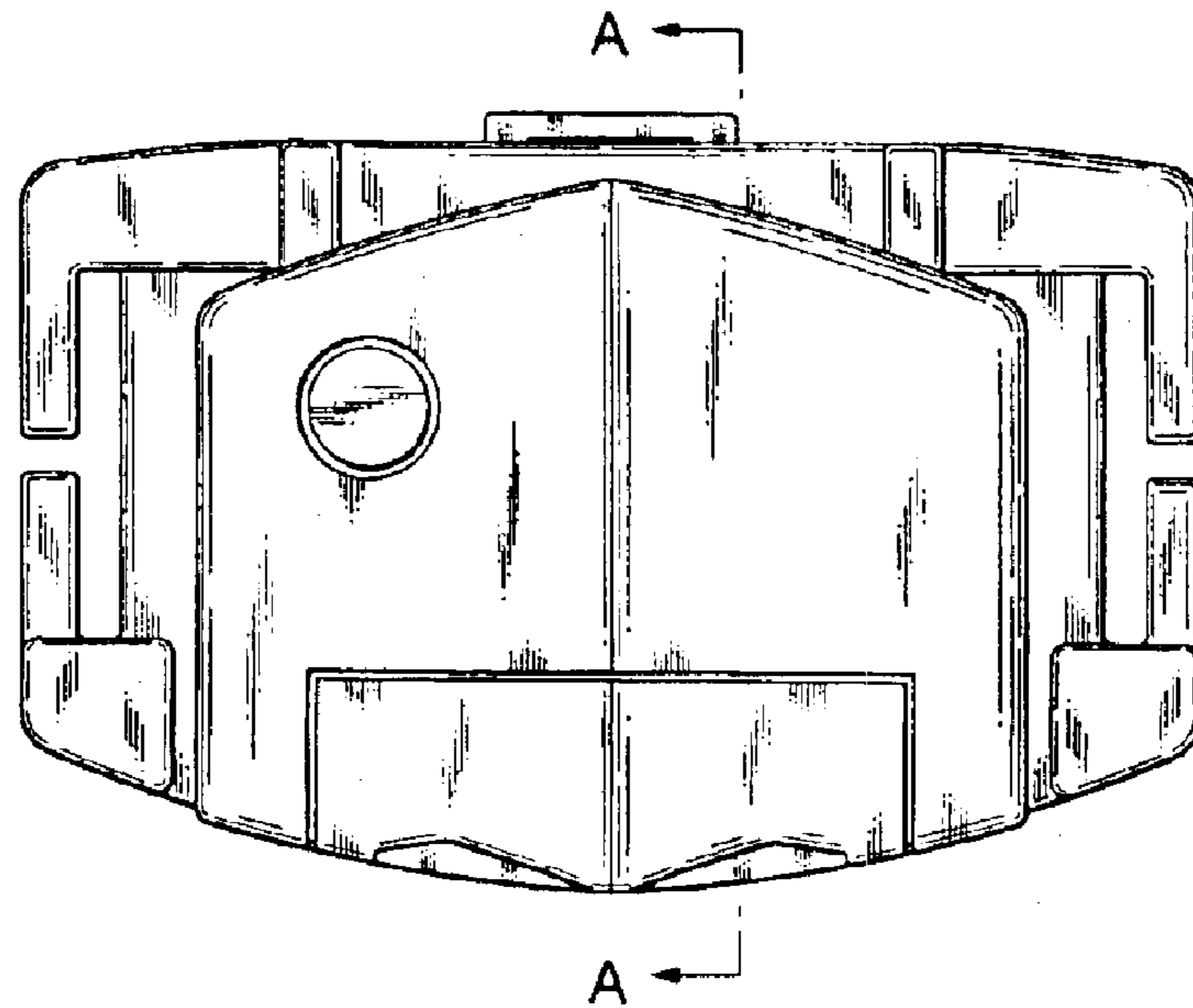


FIG.2

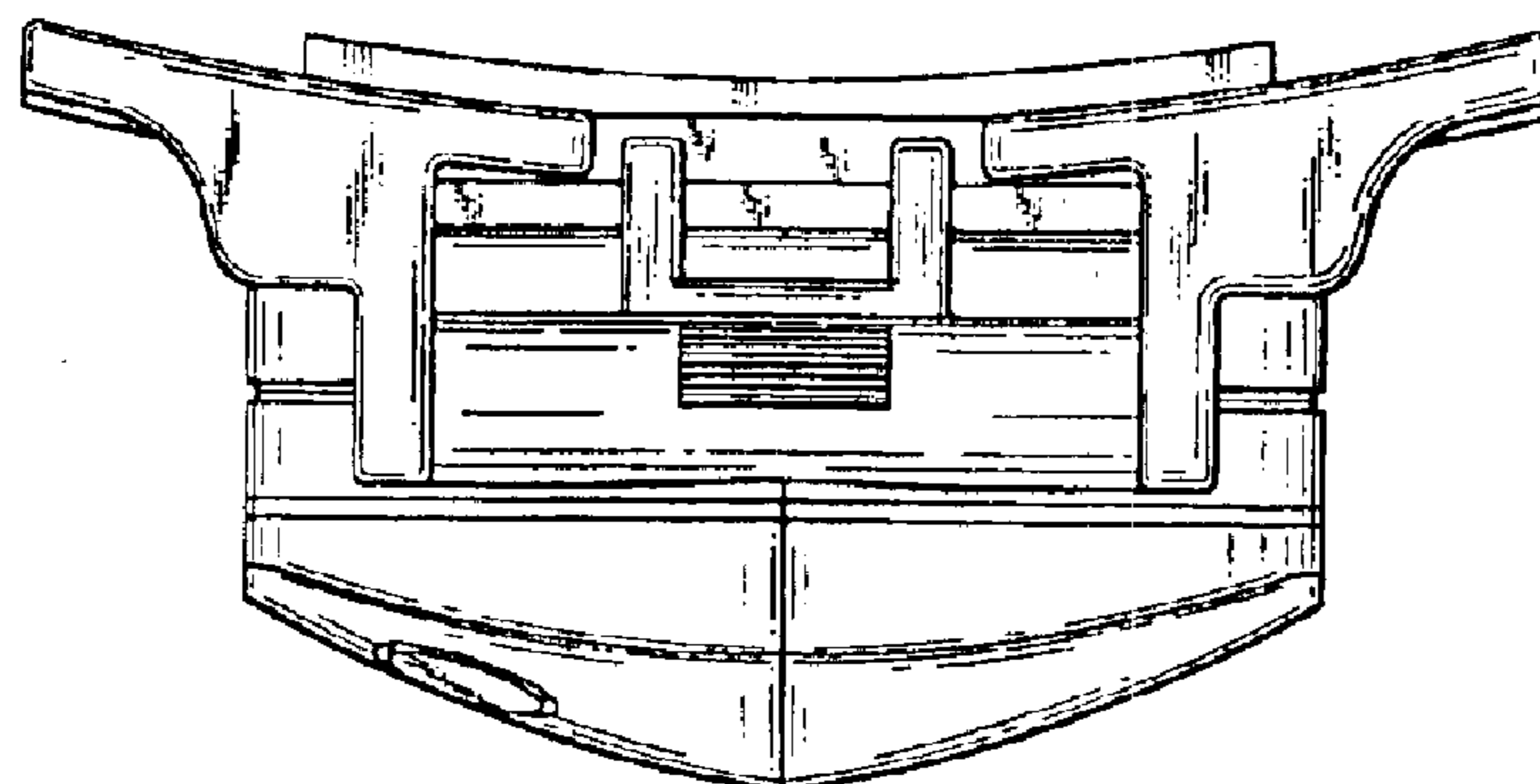


FIG.3

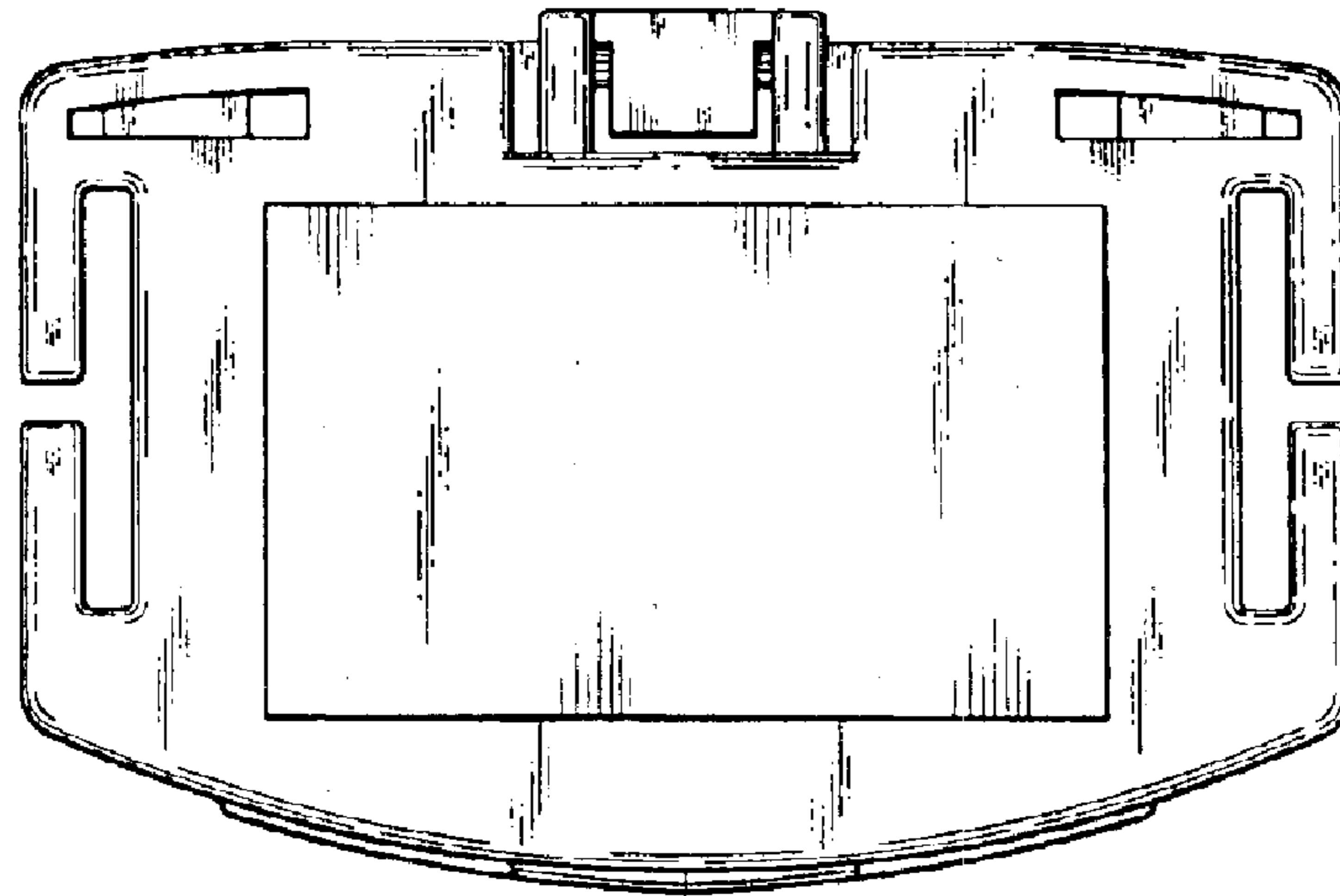


FIG.4

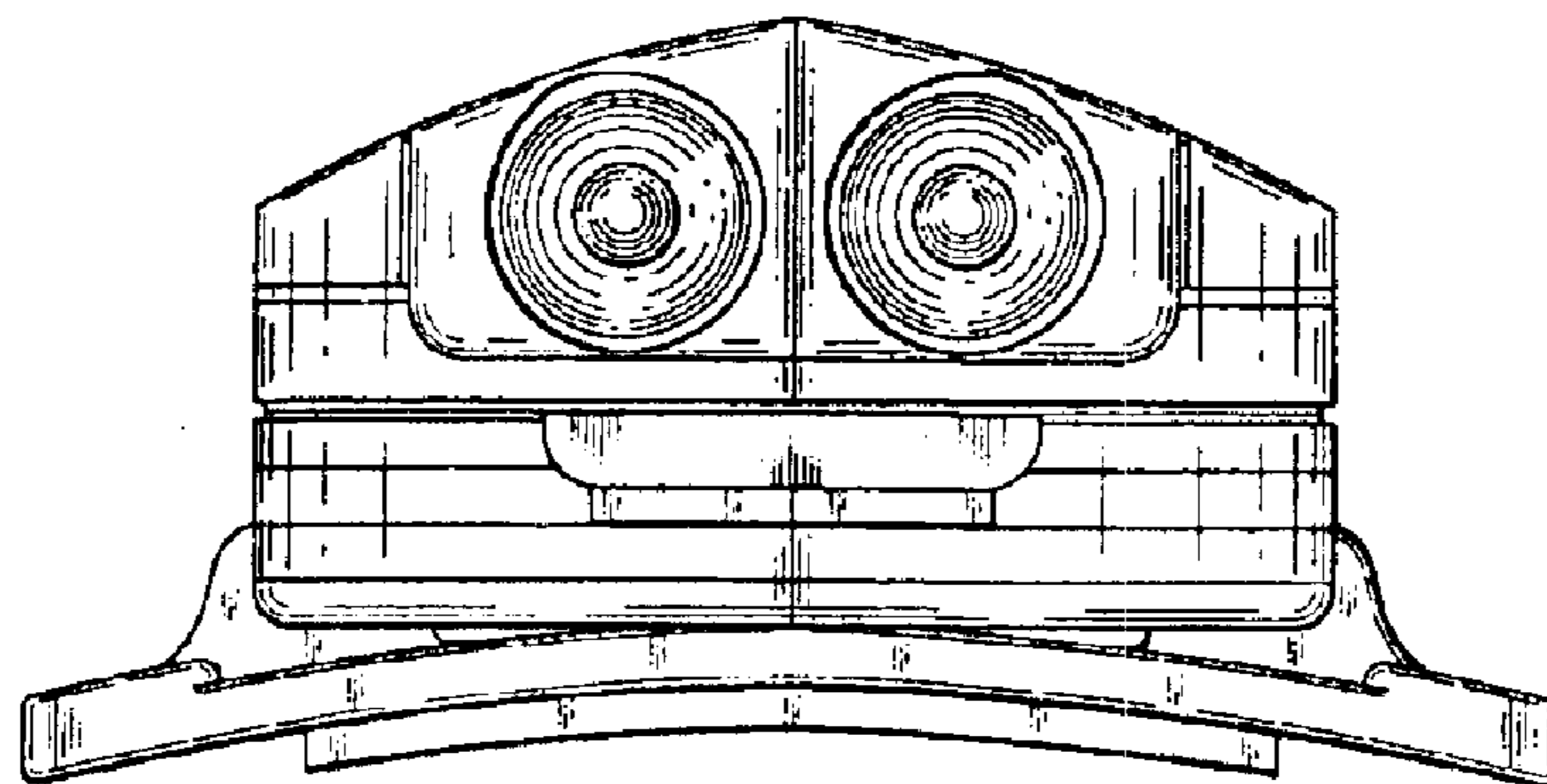


FIG.5

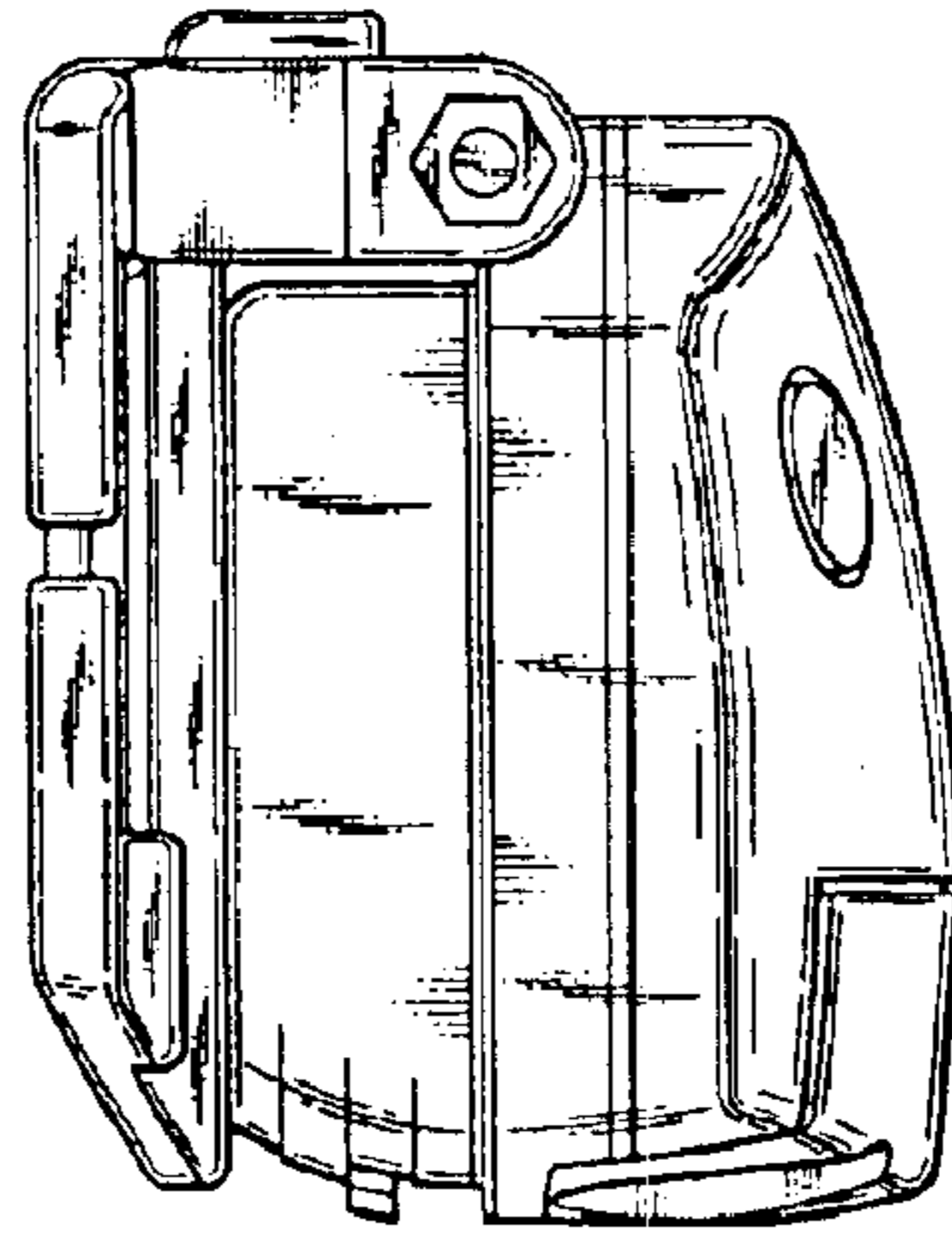


FIG.6

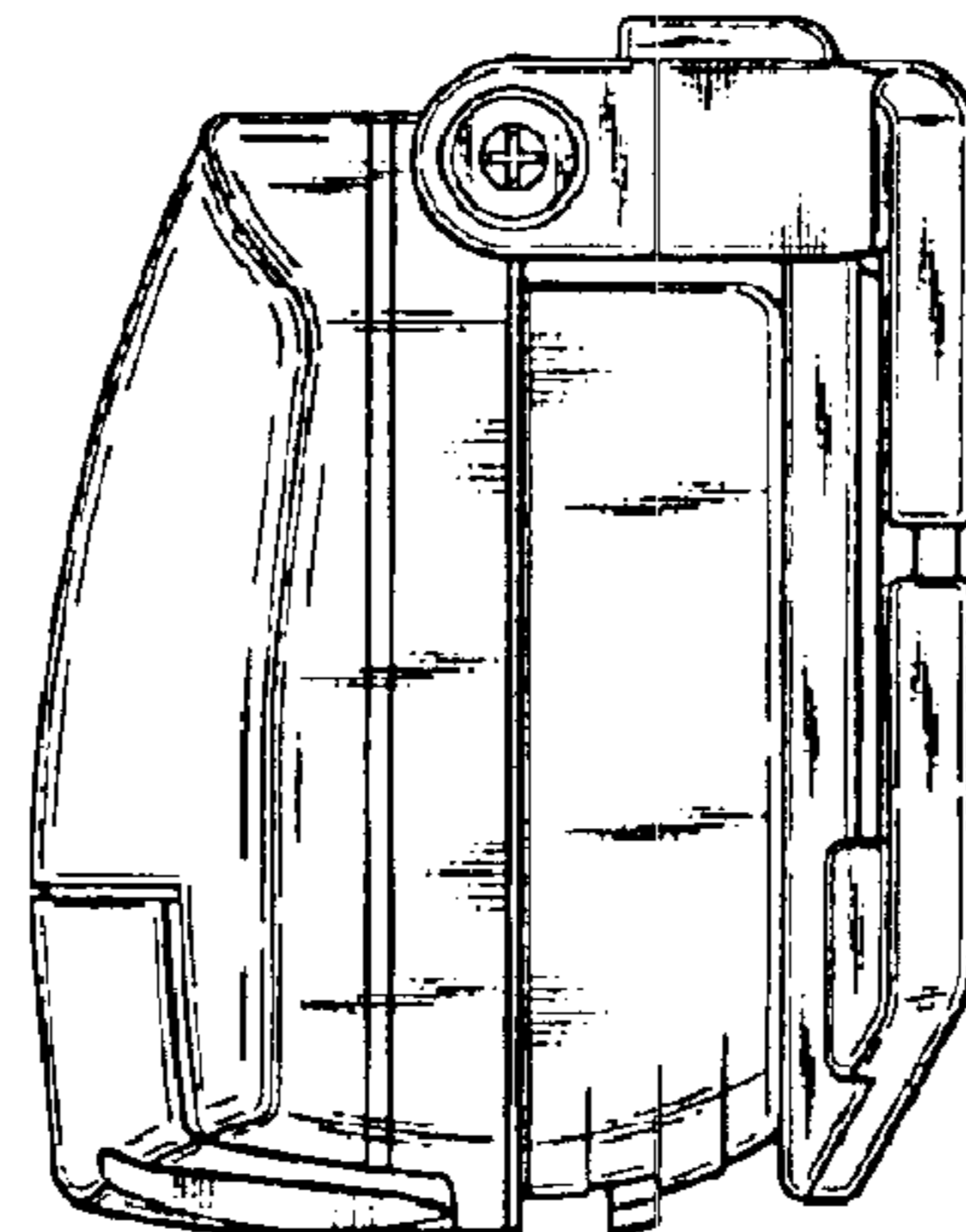


FIG.7

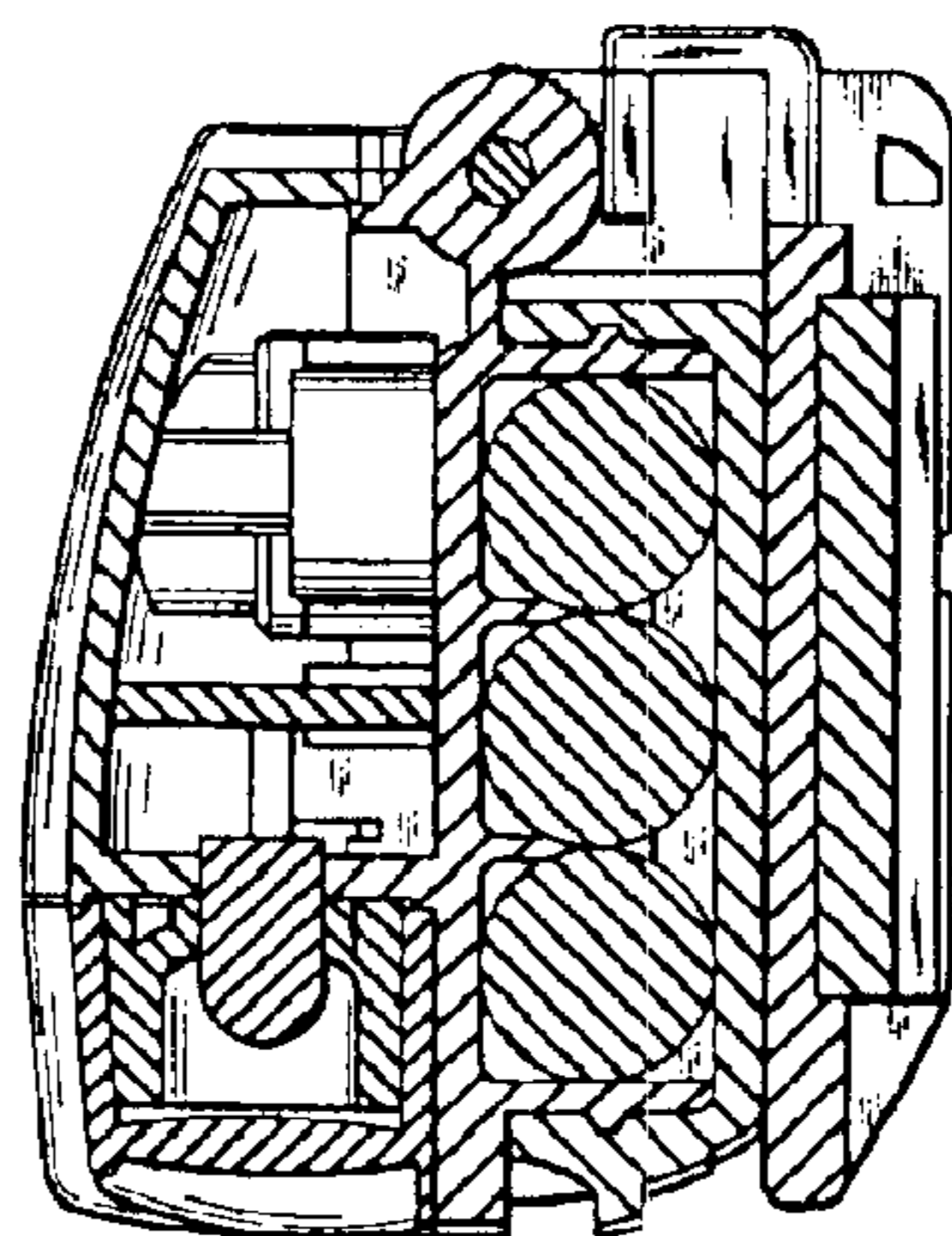


FIG.8

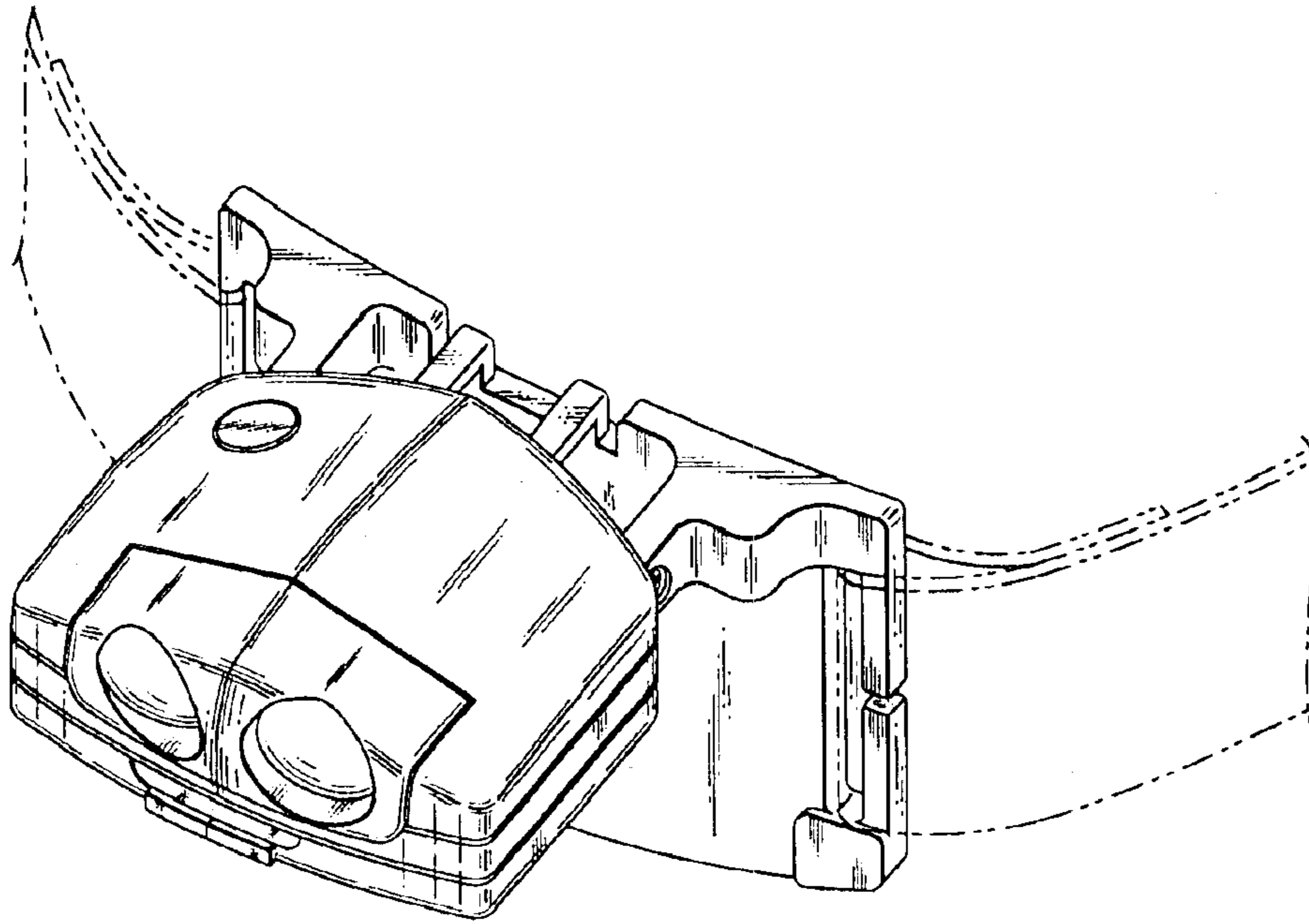


FIG.9

