

US00D500374S

(12) **United States Design Patent**
Reiss et al.

(10) **Patent No.: US D500,374 S**

(45) **Date of Patent: ** Dec. 28, 2004**

(54) **VEHICLE TURN SIGNAL LAMP**

D375,180 S * 10/1996 Lyons D26/28
D422,102 S * 3/2000 Moore D26/28

(75) Inventors: **Benoit M. Reiss**, Columbus, IN (US);
David D. Egly, Columbus, IN (US);
Eric Molsy, Livry Gargan (FR);
Matthew S. Colip, Columbus, IN (US);
Kevin D. Koons, Seymour, IN (US);
Robert King, Seymour, IN (US)

* cited by examiner

Primary Examiner—Marcus A Jackson
(74) *Attorney, Agent, or Firm*—William E. Meyer

(73) Assignee: **Valeo Sylvania L.L.C.**, Seymour, IN (US)

(57) **CLAIM**

The ornamental design for a vehicle turn signal lamp, as shown and described.

(**) Term: **14 Years**

DESCRIPTION

(21) Appl. No.: **29/200,708**

FIG. 1 is a front perspective view of a vehicle turn signal lamp illustrating the new design;
FIG. 2 is front view thereof.
FIG. 3 is left side view thereof.
FIG. 4 is right side view thereof.
FIG. 5 is rear view thereof.
FIG. 6 is top view thereof; and,
FIG. 7 is bottom top view thereof.

(22) Filed: **Mar. 3, 2004**

(51) **LOC (7) Cl.** **26-06**

(52) **U.S. Cl.** **D26/28**

(58) **Field of Search** D26/28-36; 362/459-468,
362/473-476, 485-487

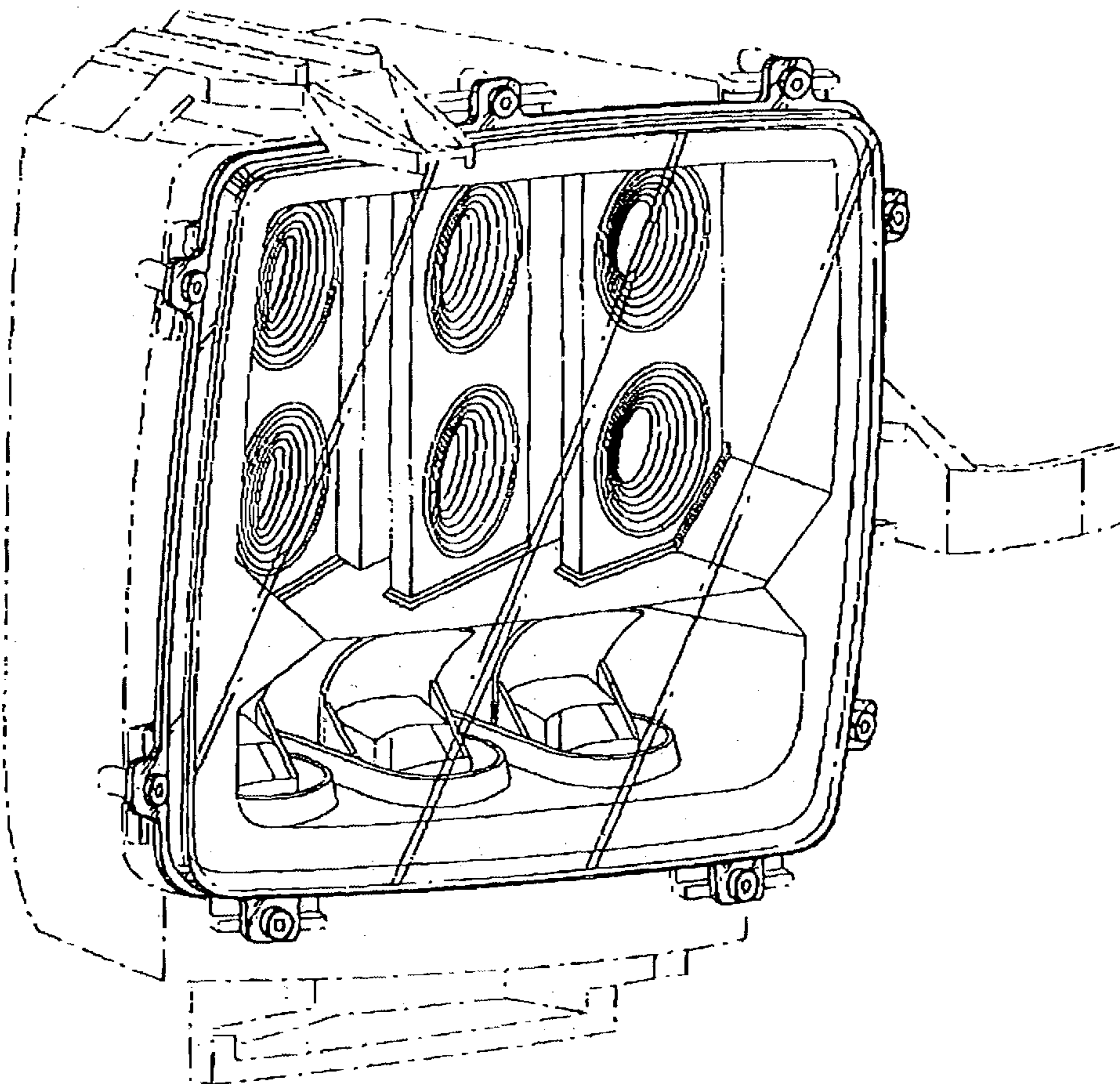
The lamp in use is viewable only from the front. In all of the foregoing drawings; dashed lines are exemplary of hidden lines, intended to illustrate shape and contour and are not part of the design.

(56) **References Cited**

U.S. PATENT DOCUMENTS

D317,212 S * 5/1991 Fetters et al. D26/28

1 Claim, 7 Drawing Sheets



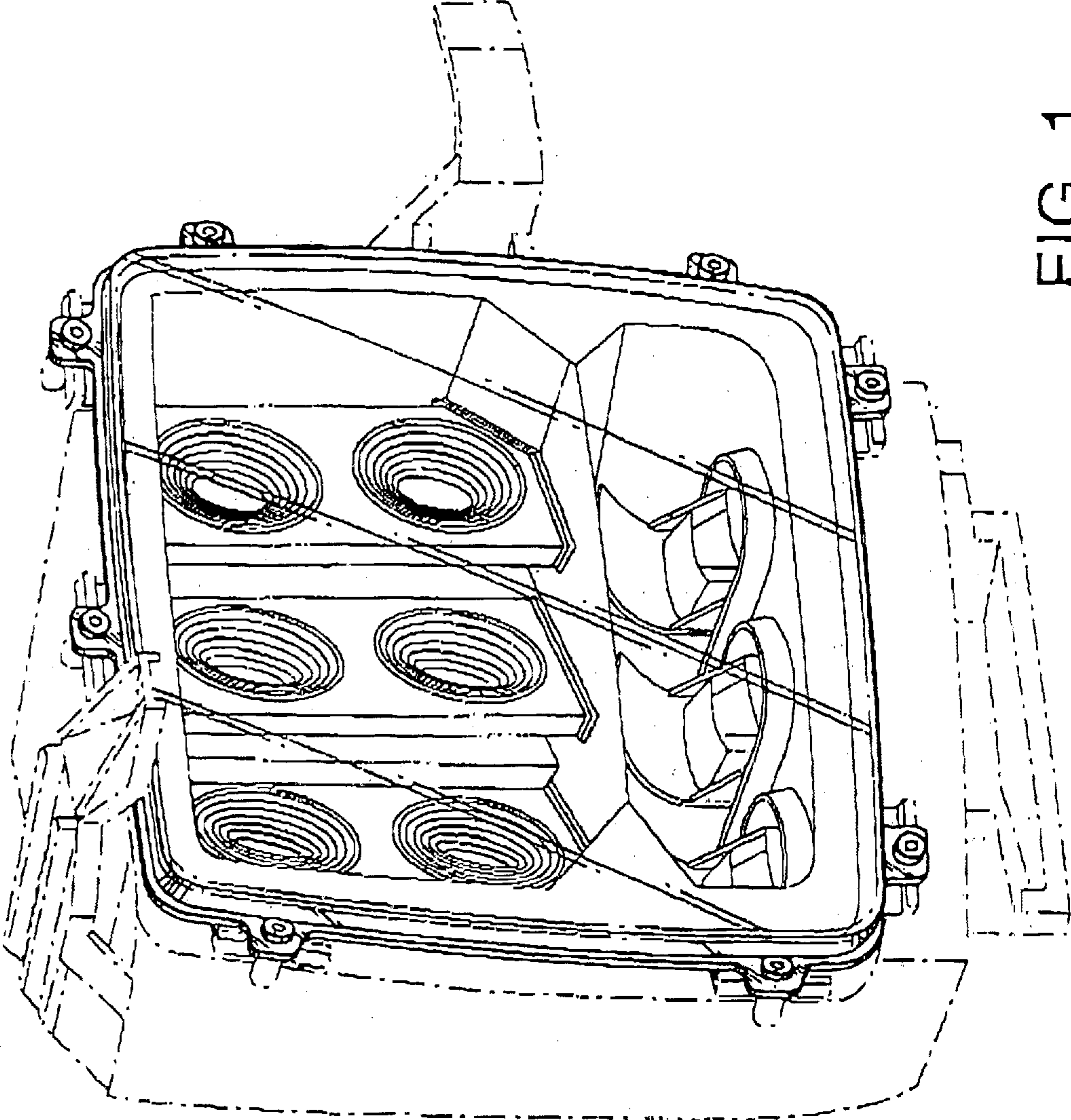


FIG. 1

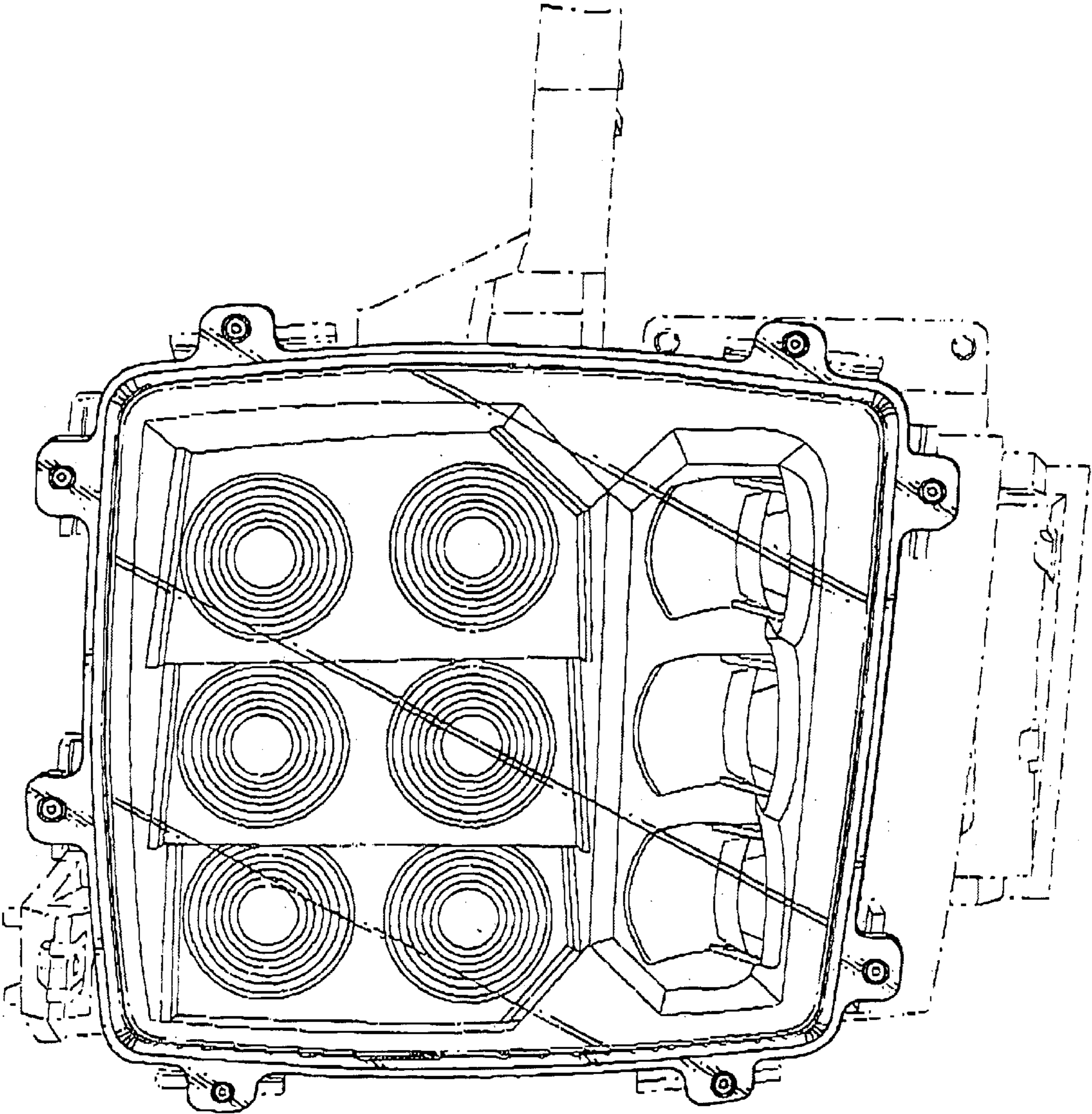


FIG. 2

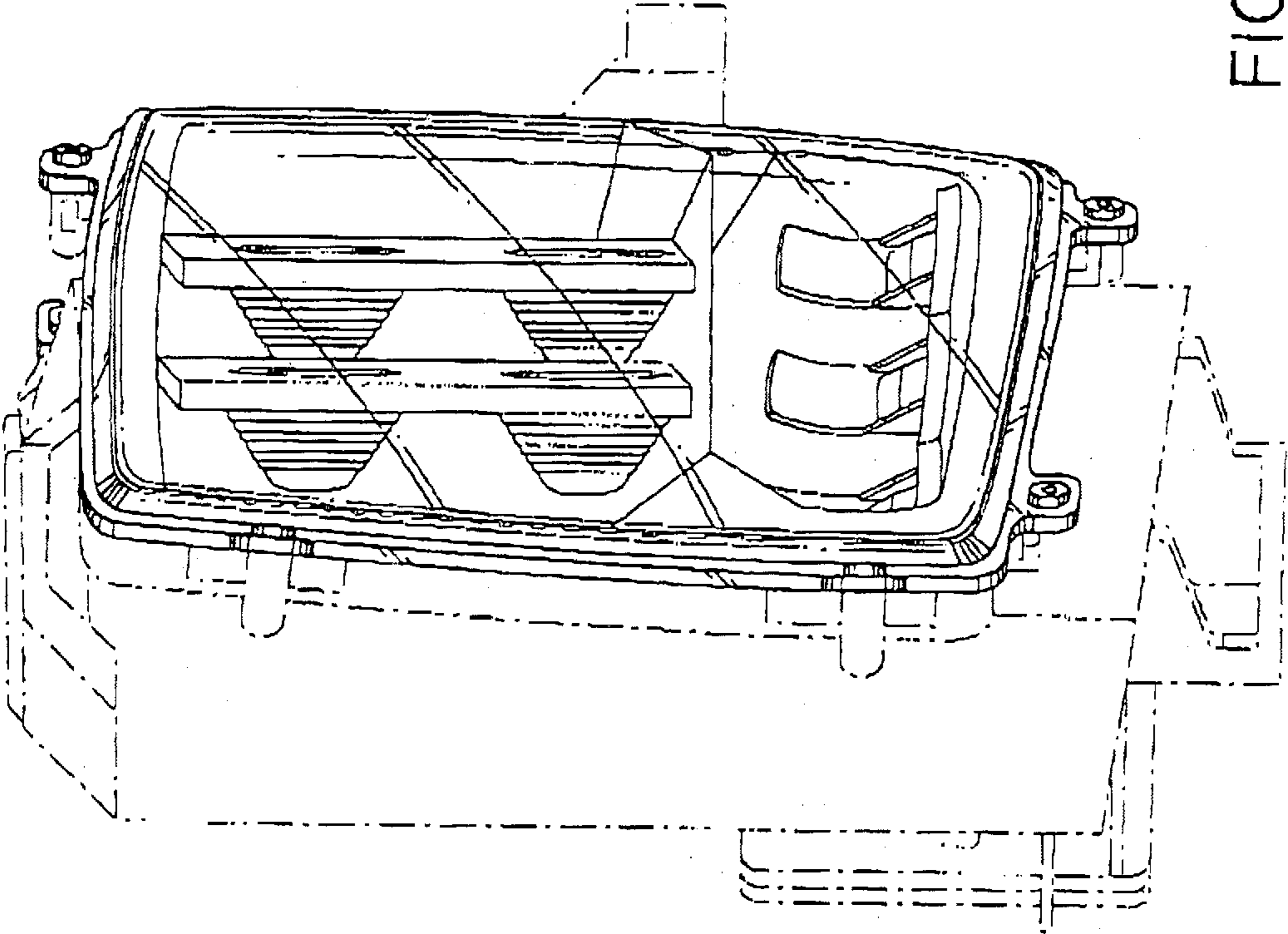


FIG. 3

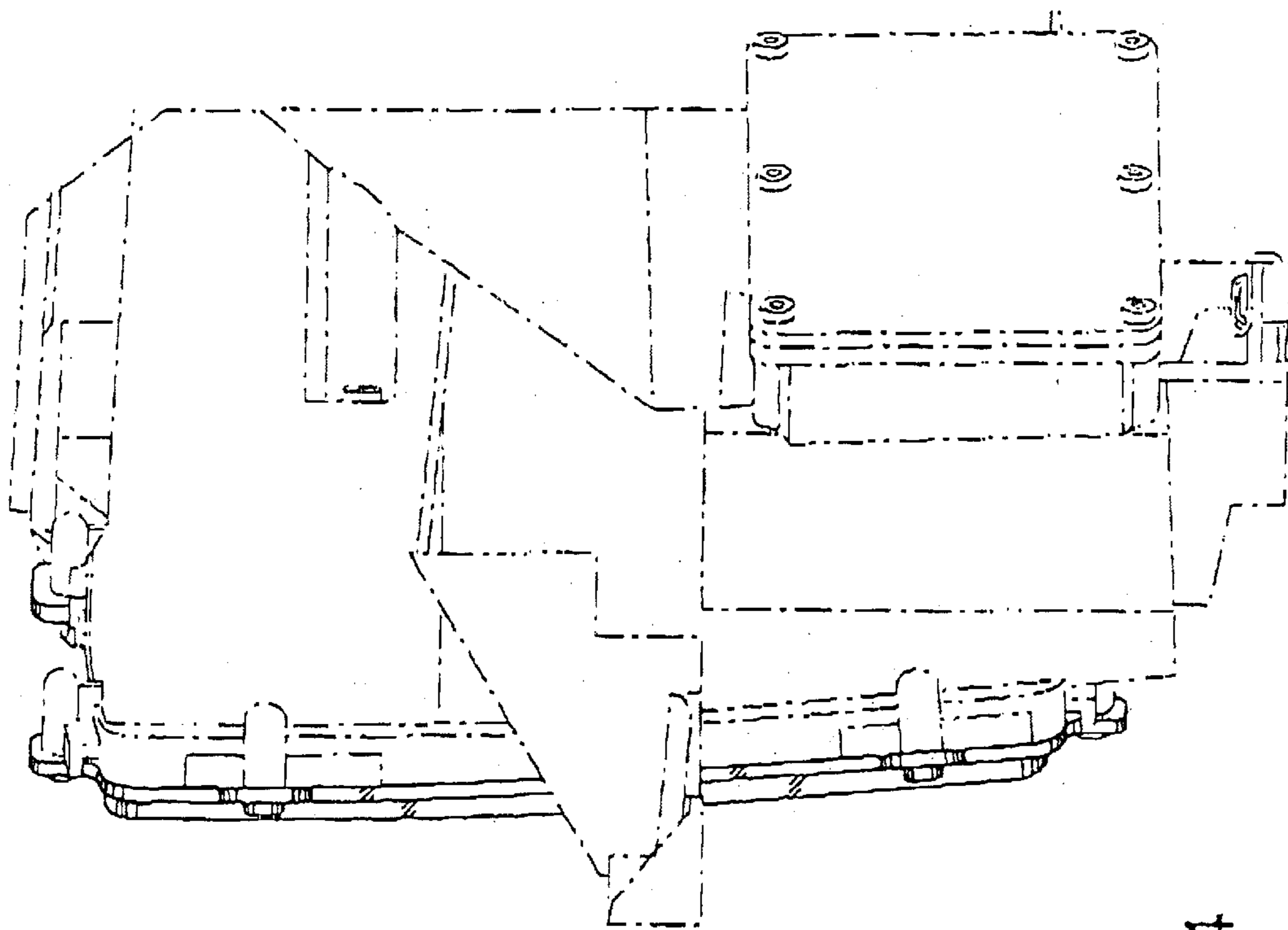


FIG. 4

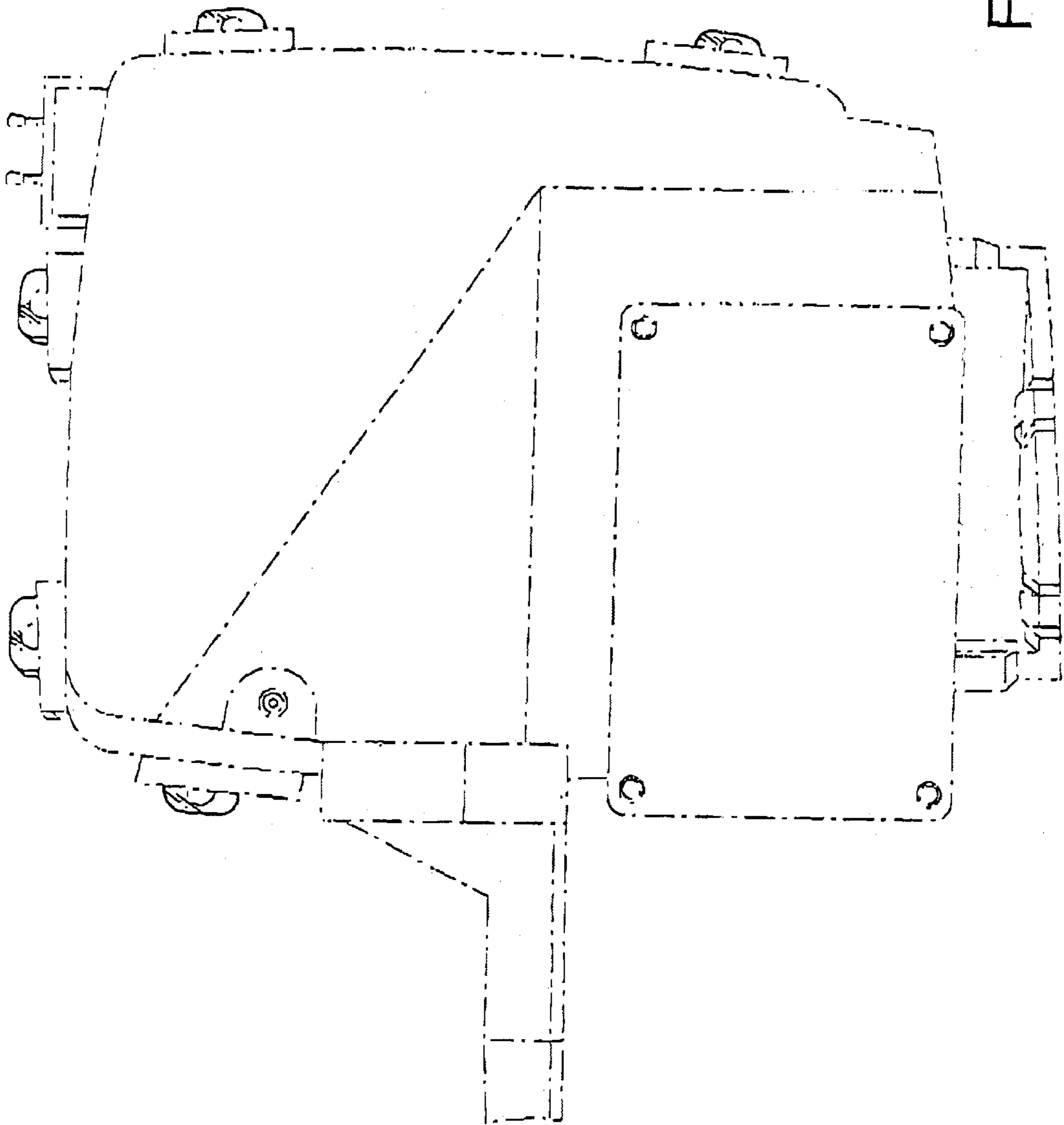


FIG. 5

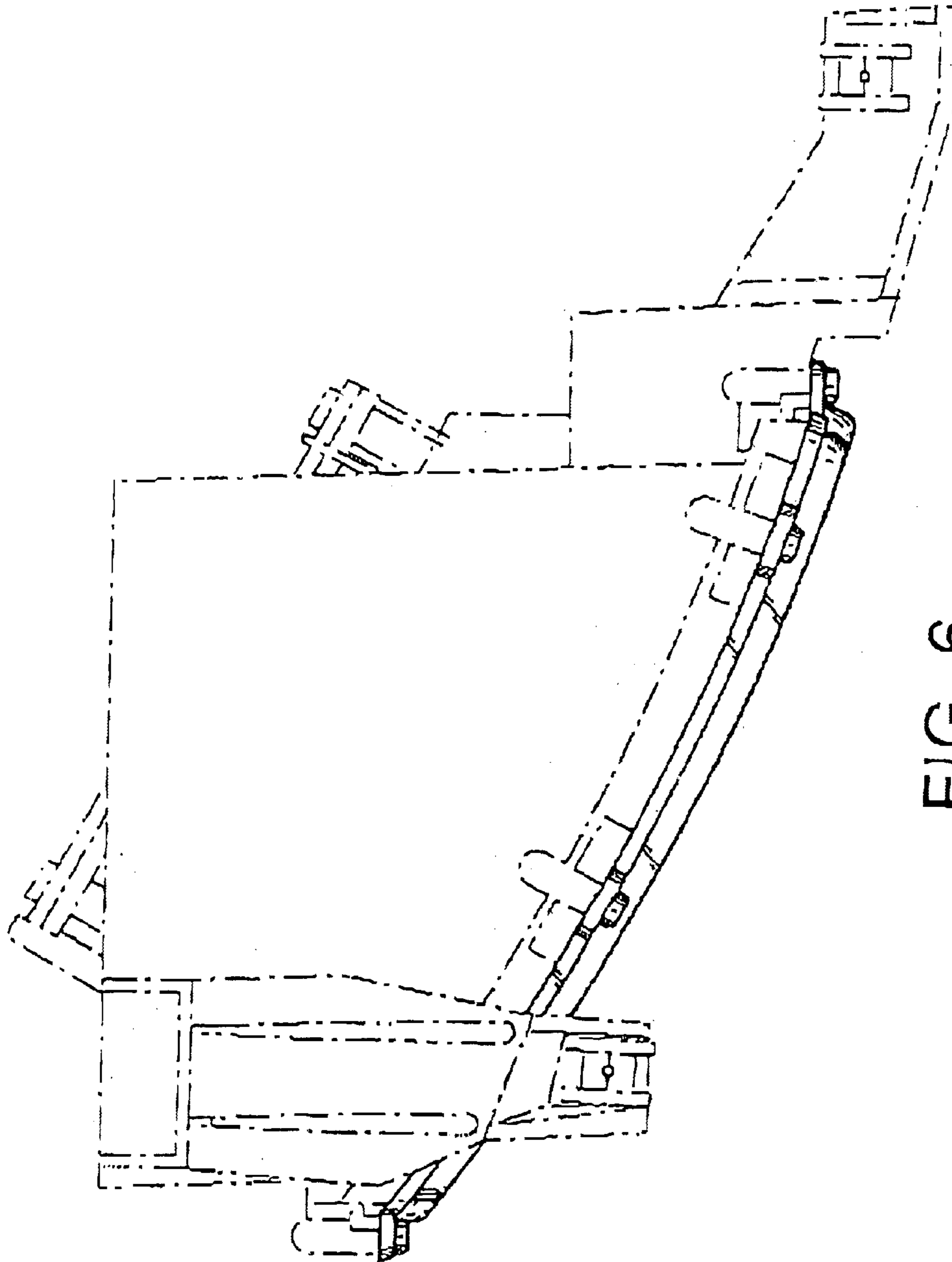


FIG. 6

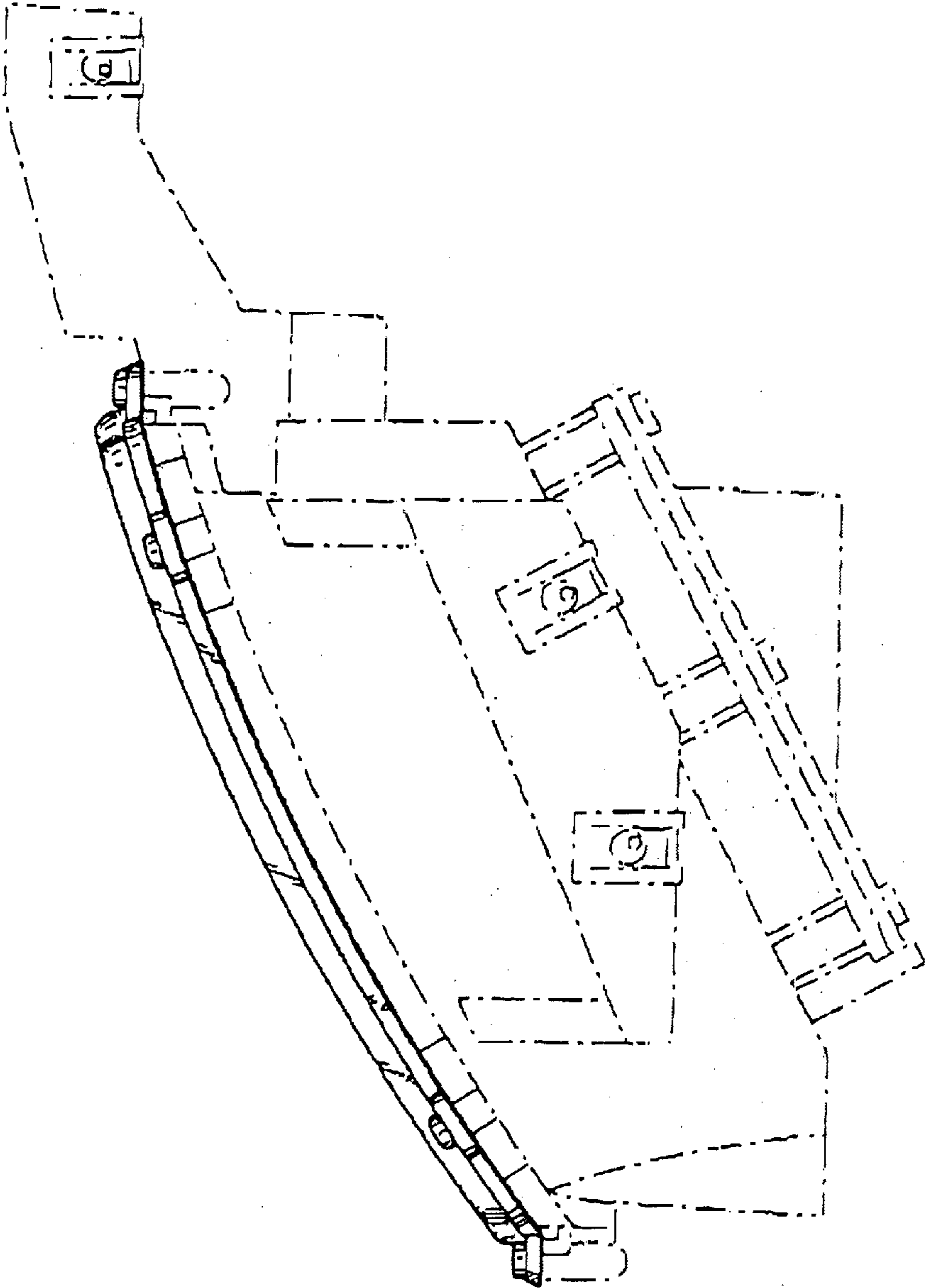


FIG. 7