

US00D500364S

(12) **United States Design Patent** (10) **Patent No.:** **US D500,364 S**
Welder (45) **Date of Patent:** **** Dec. 28, 2004**

(54) **PHARMACY CONSULTING BOOTH**

(57) **CLAIM**

(76) Inventor: **Anton P. Welder**, 1314 Bayview Ct.,
Bismarck, ND (US) 58504

The ornamental design for a pharmacy consulting booth, as shown and described.

(**) Term: **14 Years**

DESCRIPTION

(21) Appl. No.: **29/192,025**

FIG. 1 is a perspective view of the pharmacy consulting booth, illustrating the pharmacist access to the pharmacy consulting booth.

(22) Filed: **Oct. 17, 2003**

FIG. 2 is a top perspective view of the pharmacy consulting booth, again illustrating the pharmacist access to the pharmacy consulting booth and from an opposite side of the pharmacy consulting booth to that presented in FIG. 1.

Related U.S. Application Data

(63) Continuation of application No. 29/179,781, filed on Apr. 15, 2003, now abandoned.

FIG. 3 is a perspective view of the pharmacy consulting booth, illustrating the customer/patient access to the pharmacy consulting booth.

(51) **LOC (7) Cl.** **25-03**

(52) **U.S. Cl.** **D25/16**

(58) **Field of Search** D25/16; 52/36.1

FIG. 4 is a top perspective view of the pharmacy consulting booth, again illustrating the customer/patient access.

(56) **References Cited**

FIG. 5 is one end view of the pharmacy consulting booth at the pharmacist access.

U.S. PATENT DOCUMENTS

D454,206 S * 3/2002 Caya D25/16
3,083,417 A1 * 3/2002 Cook 52/36.1

FIG. 6 is the other end view of the pharmacy consulting booth at the customer/patient access.

OTHER PUBLICATIONS

Three photographs of a device that was in public use more than one year prior to the filing date of the parent application, U.S. Patent Appl. No. 29/179,781.

FIG. 7 is one side view of the pharmacy consulting booth.

* cited by examiner

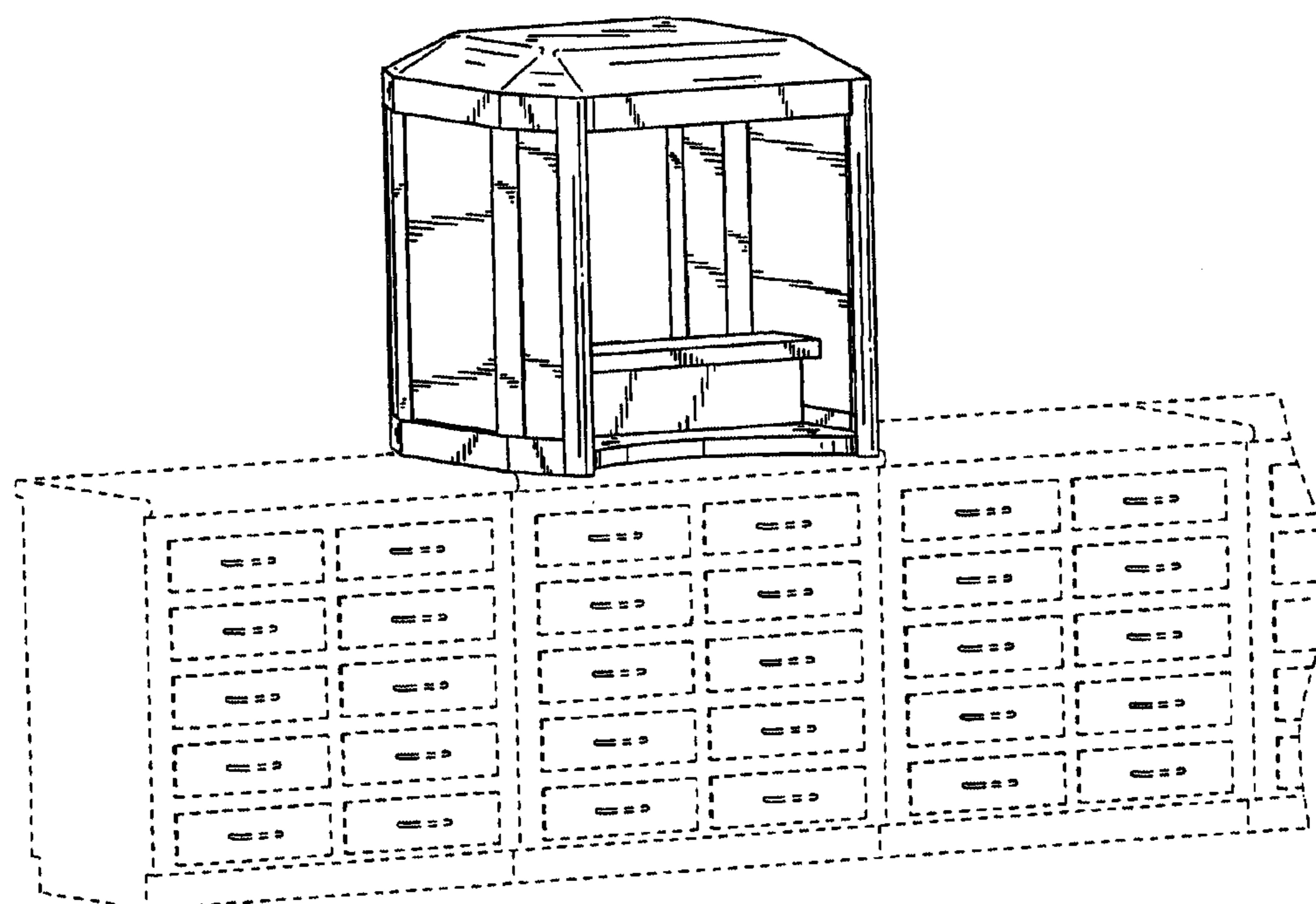
FIG. 8 is the other side view of the pharmacy consulting booth.

Primary Examiner—Doris Clark

(74) *Attorney, Agent, or Firm*—Marsh Fischmann & Breyfogle LLP

FIG. 9 is a top view of the pharmacy consulting booth; and, FIG. 10 is a bottom view of the pharmacy consulting booth. The broken lines in the accompanying drawings illustrate representative environmental structure in the form of a cabinet that forms no part of the claimed invention.

1 Claim, 7 Drawing Sheets



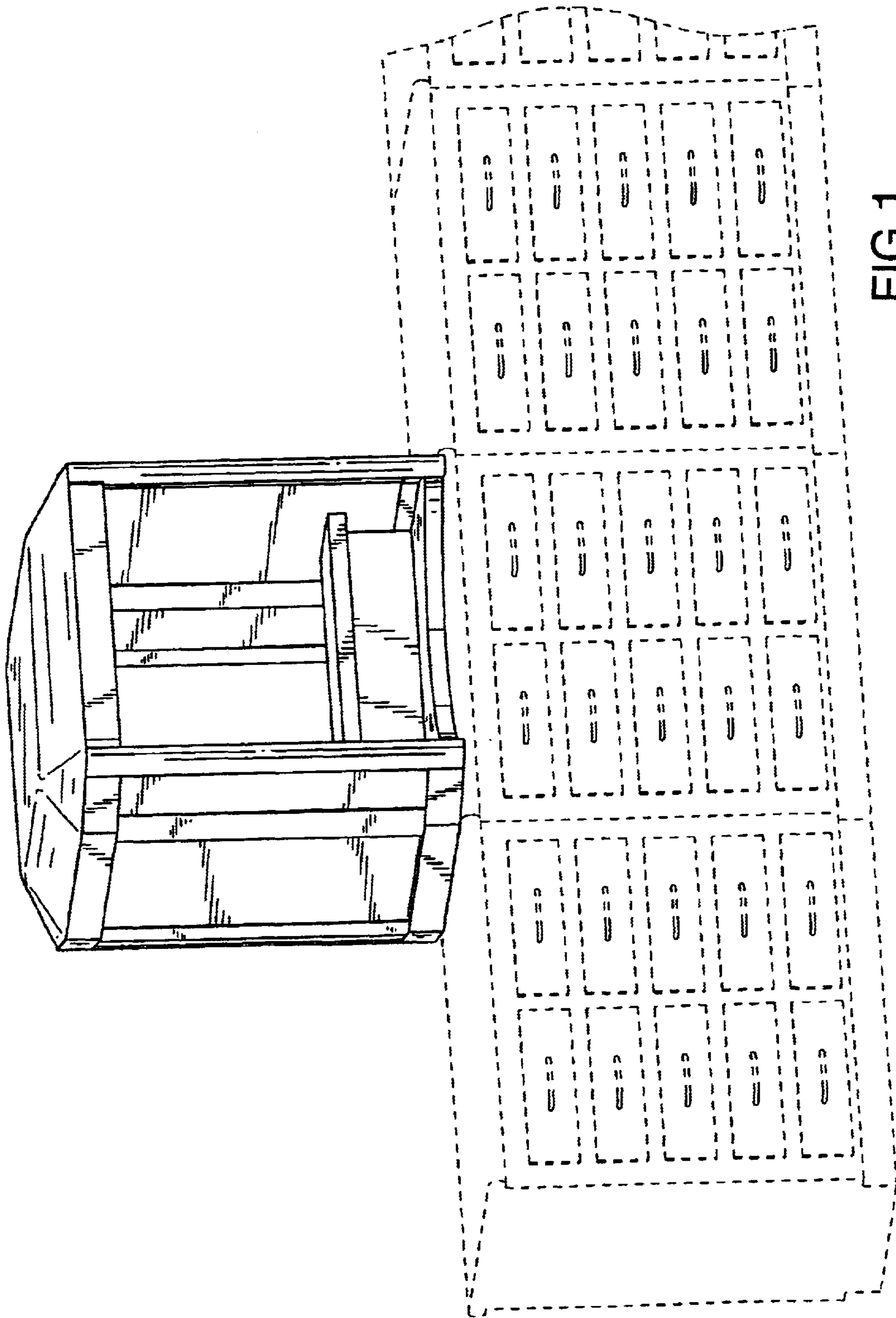


FIG. 1

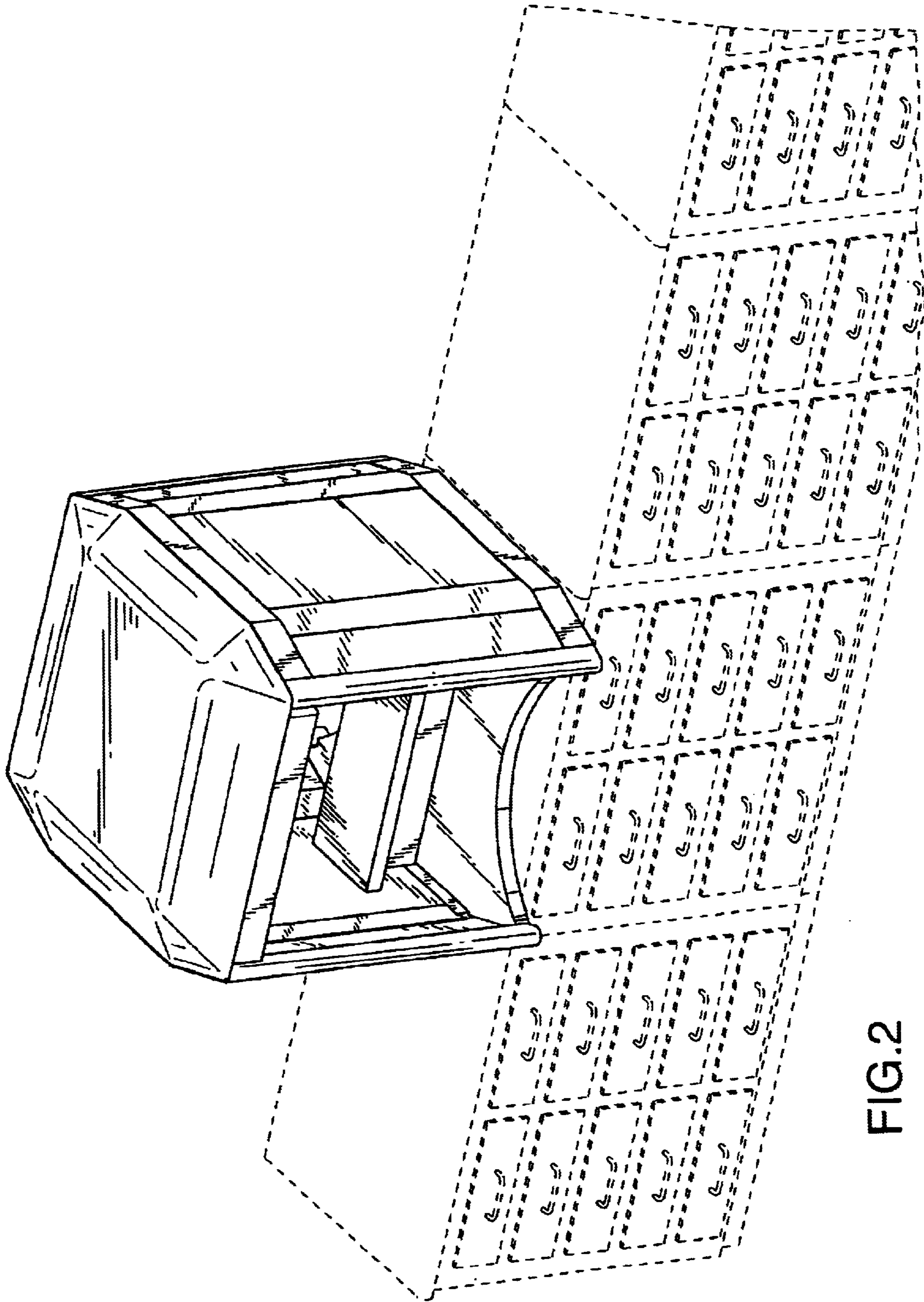


FIG.2

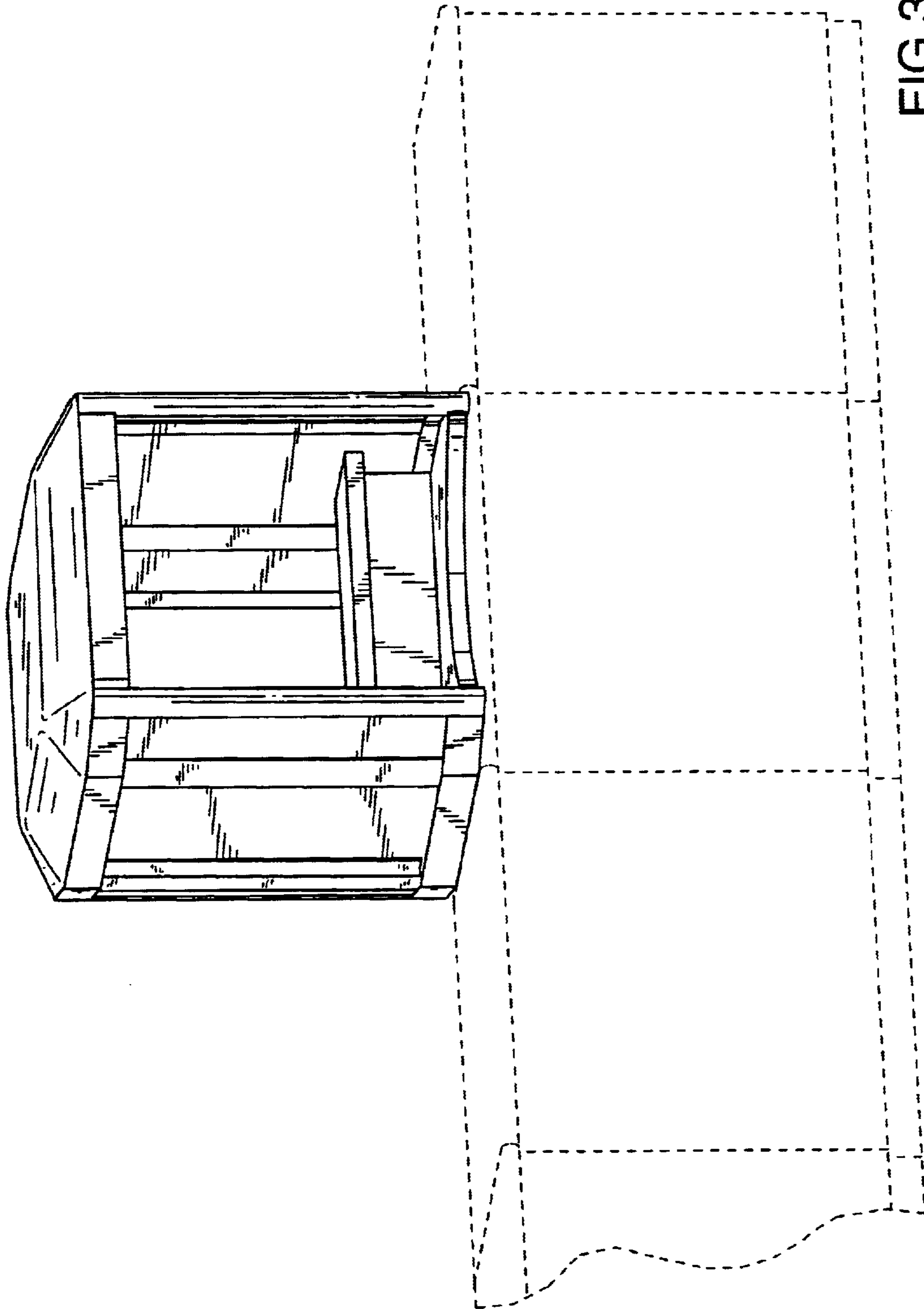


FIG.3

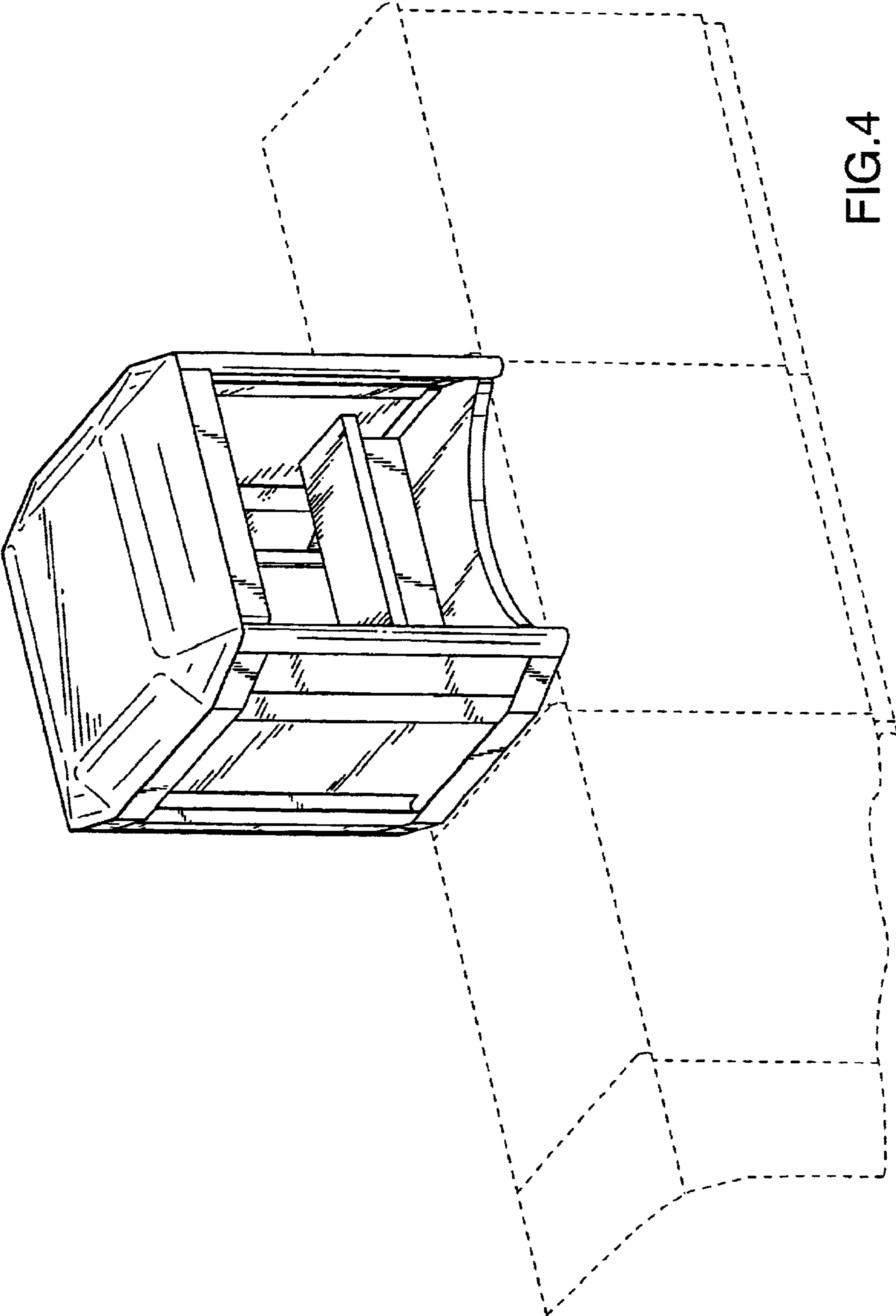


FIG.4

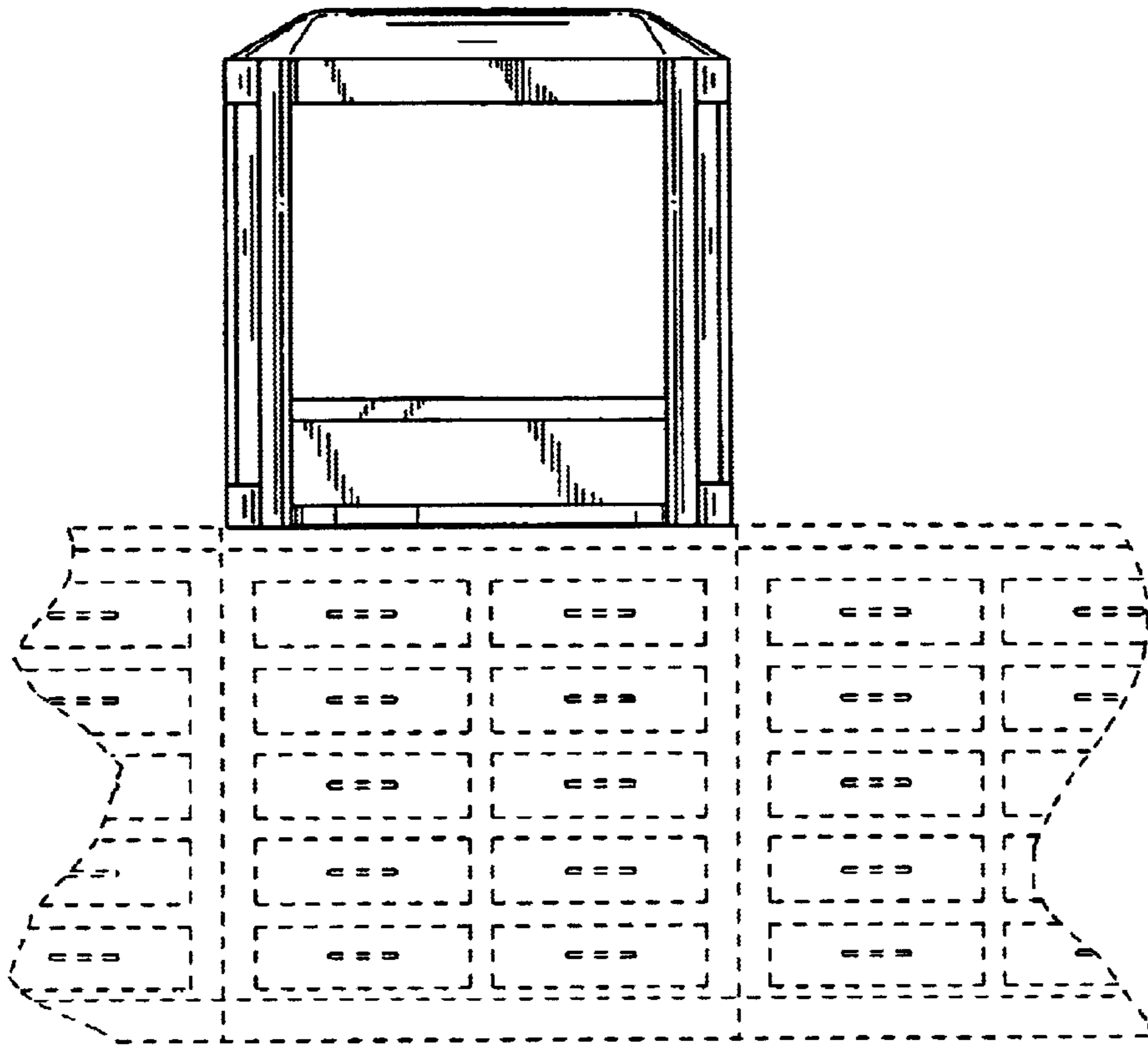


FIG. 5

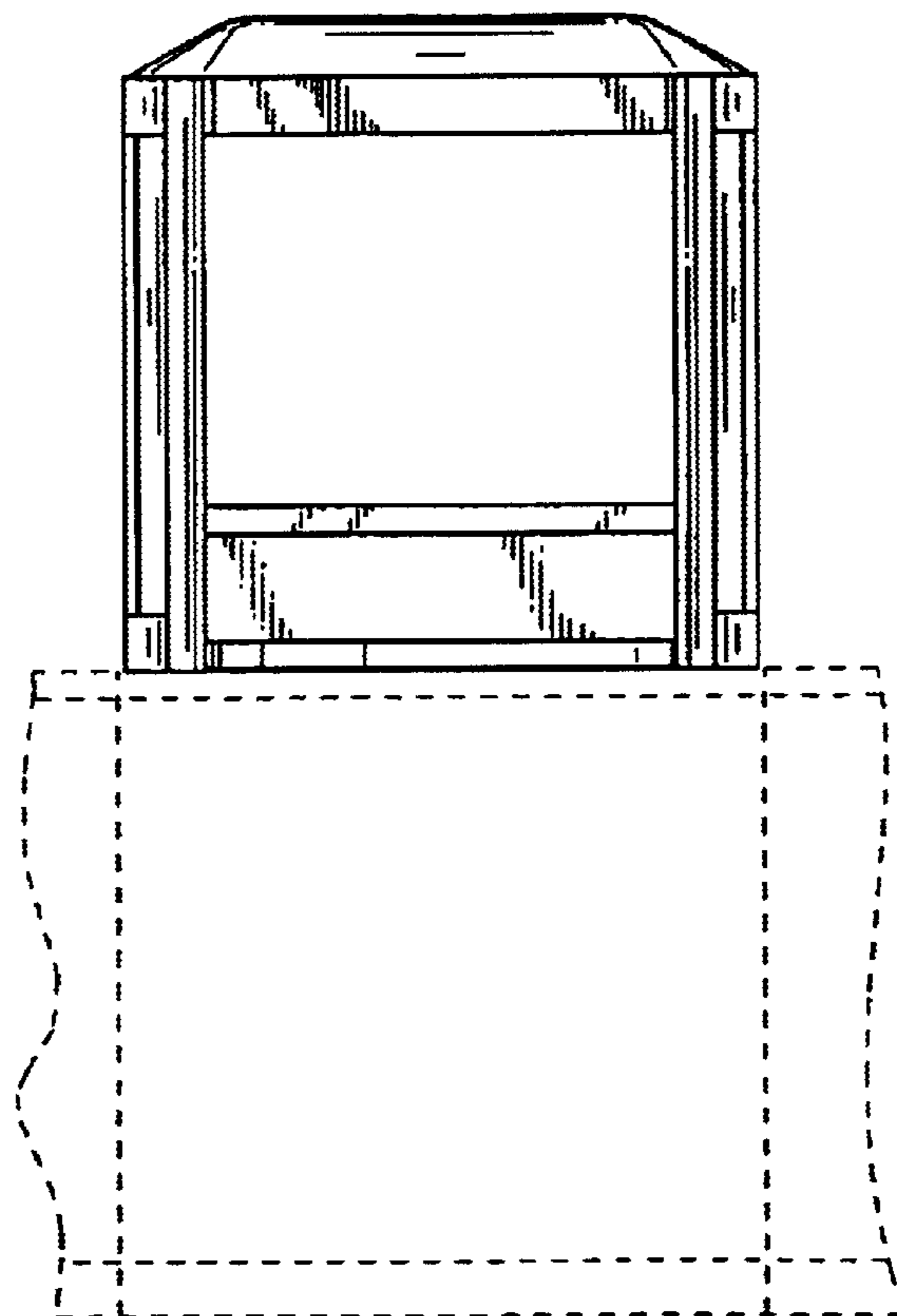


FIG. 6

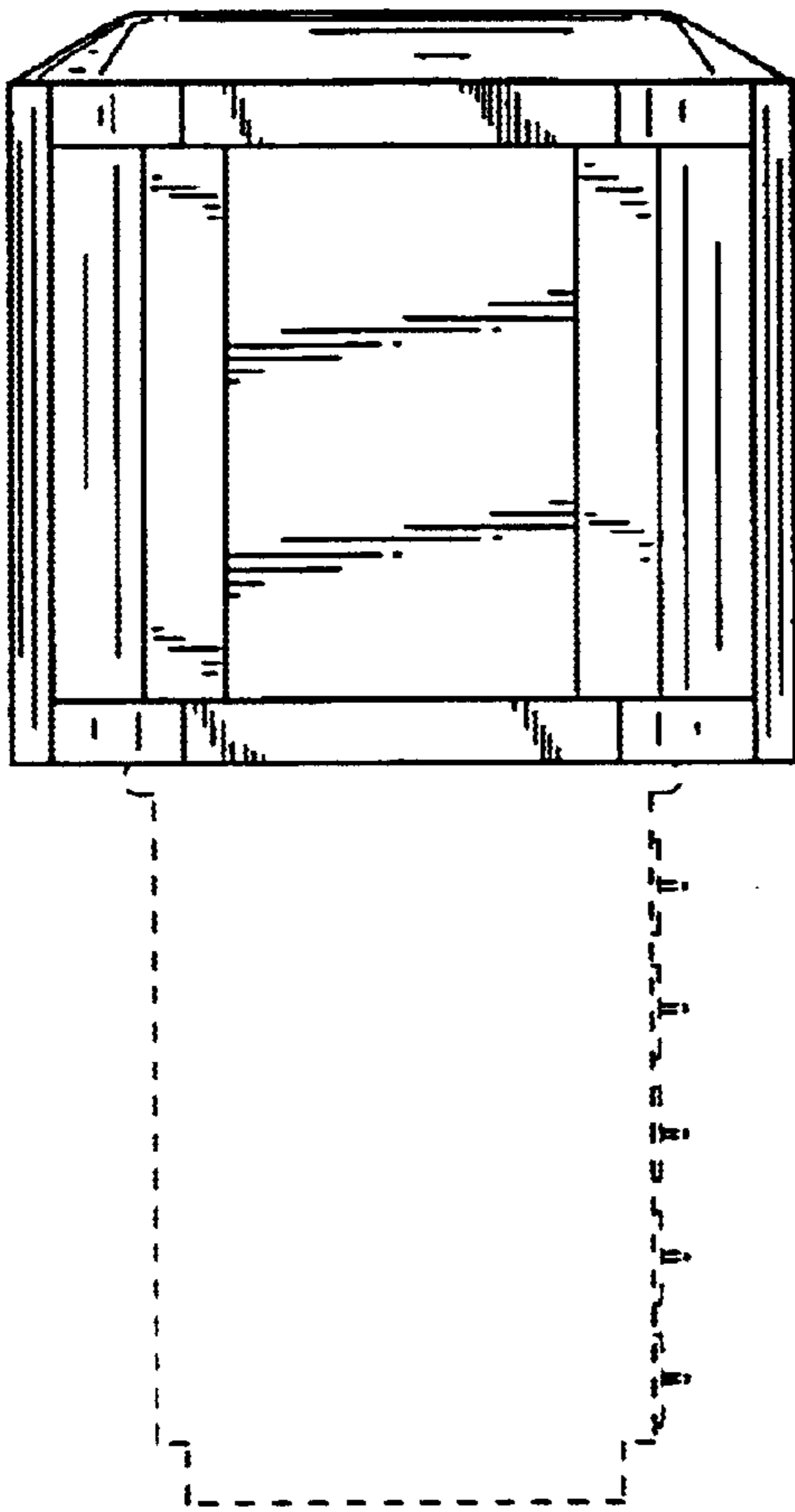


FIG. 7

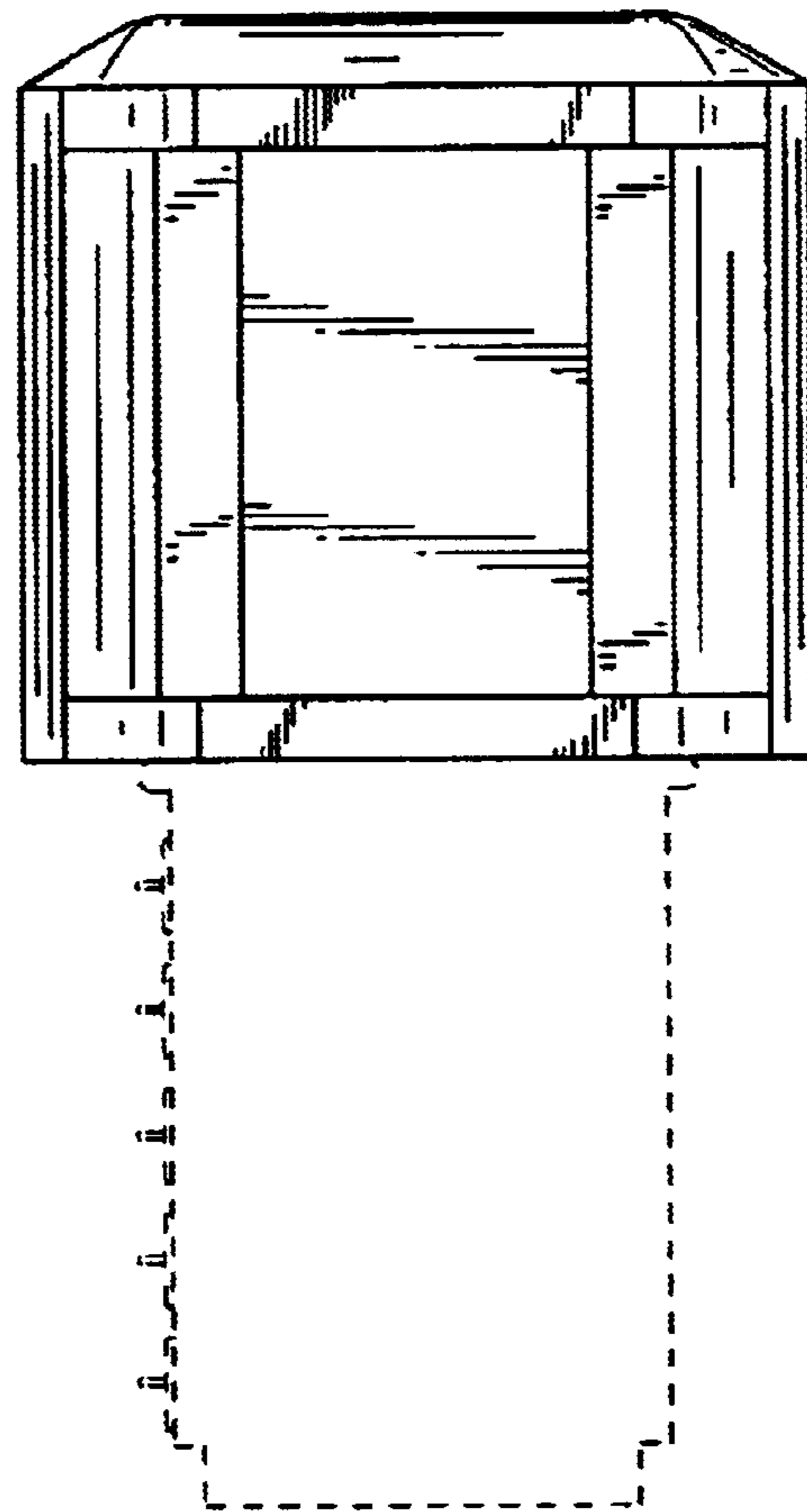


FIG. 8

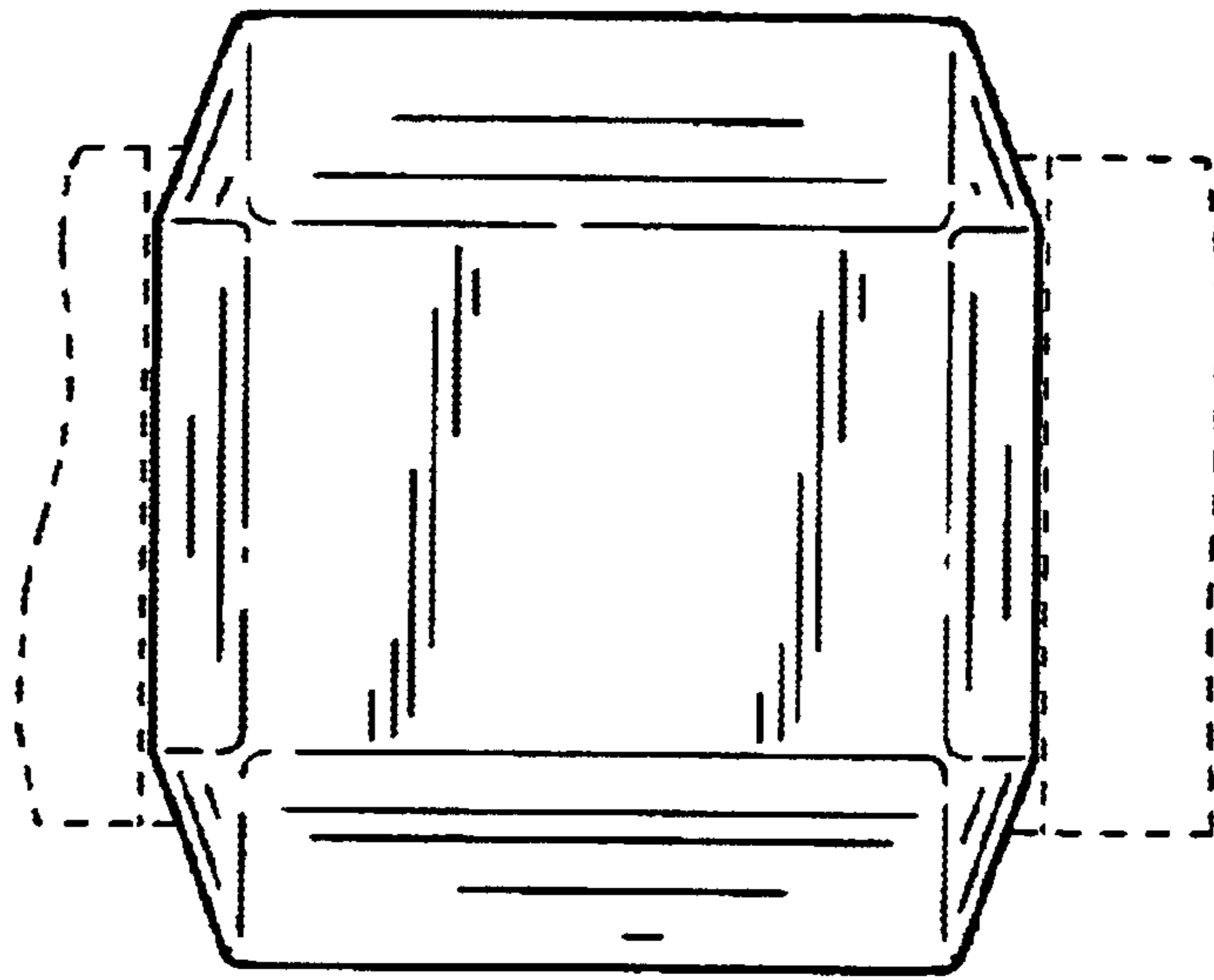


FIG. 9

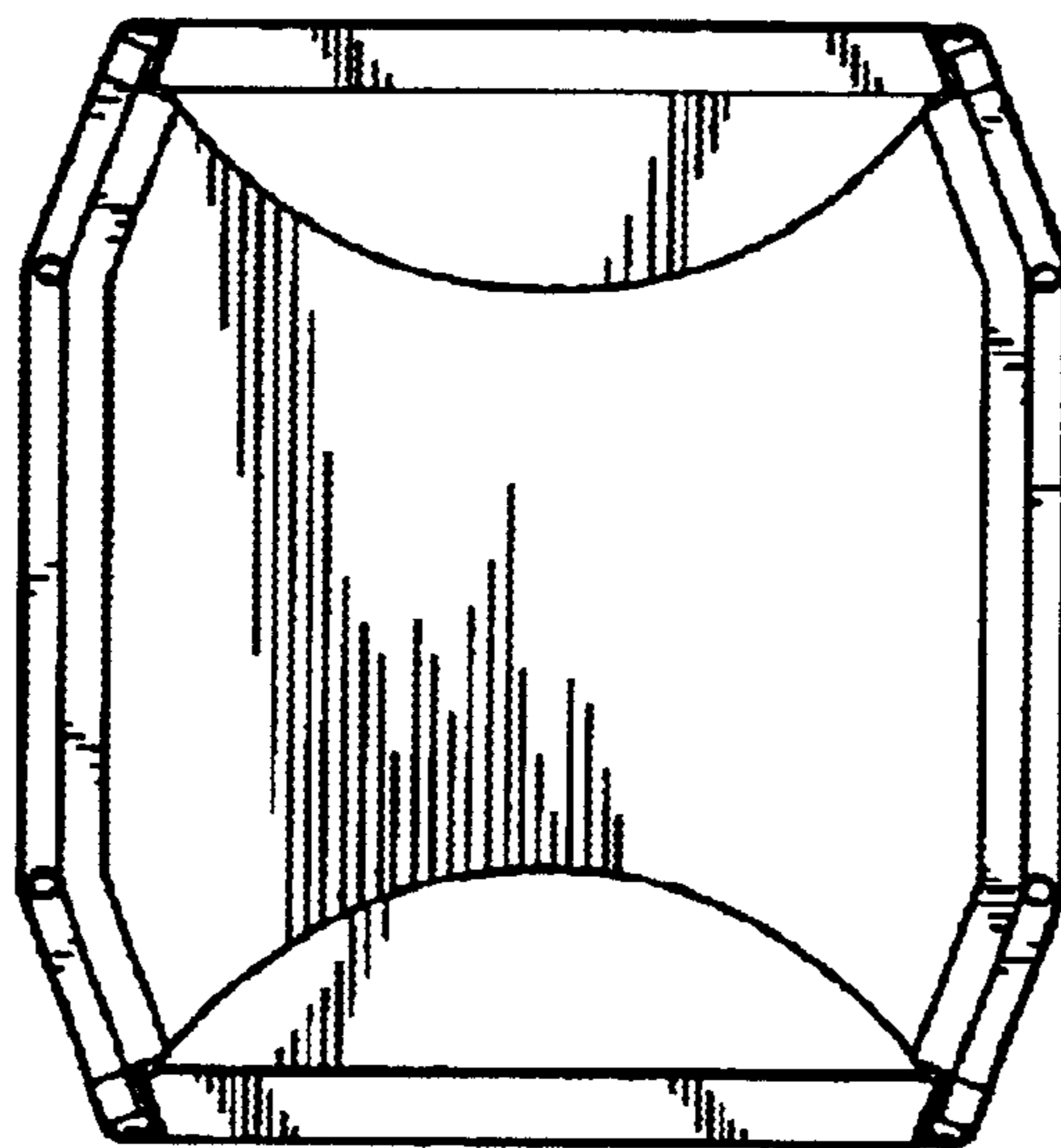


FIG. 10