



US00D500363S

(12) **United States Design Patent**
Fanning et al.

(10) **Patent No.: US D500,363 S**

(45) **Date of Patent: ** Dec. 28, 2004**

(54) **SAMPLE HOLDER**

D421,130 S * 2/2000 Cohen et al. D24/229

(75) Inventors: **Mark Fanning**, Florissant, MO (US);
Dennis Sandstedt, Chesterfield, MO (US);
Dave Pincus, Chesterfield, MO (US);
Carla Cooper, St. Peters, MO (US);
Ray Shelton, St. Charles, MO (US);
Judy Lowe, St. Peters, MO (US);
Cynthia Somogye, Chesterfield, MO (US);
Shelly Duboeuf, Defiance, MO (US);
Richard Fauser, St. Charles, MO (US);
Laurie Kish, O'Fallon, MO (US);
David Shine, St. Louis, MO (US);
Doug Hopper, Maryville, IL (US);
Ross Blanton, Hazelwood, MO (US);
Nancy Moss, St. Charles, MO (US);
Michael Gallagher, St. Charles, MO (US)

* cited by examiner

Primary Examiner—Ian Simmons
(74) *Attorney, Agent, or Firm*—Samir R. Patel

(73) Assignee: **bioMerieux Inc.**, Durham, NC (US)

(**) Term: **14 Years**

(21) Appl. No.: **29/186,914**

(22) Filed: **Jul. 24, 2003**

(51) **LOC (7) Cl.** **24-01**

(52) **U.S. Cl.** **D24/229; D24/227; D24/230**

(58) **Field of Search** **D24/229, 227,**
D24/230; 422/104, 102, 63, 64, 99; 211/74,
71.01

(57) **CLAIM**

The ornamental design for a sample holder, as shown and described.

DESCRIPTION

The sample holder is intended for use with a sample testing machine and is designed to hold tubes containing samples to be tested and test cards which are inoculated with the samples in the tubes and to transport the test cards in the sample testing machine.

FIG. 1 is a perspective view of the design;
FIG. 2 is another perspective view of the sample holder shown in FIG. 1;
FIG. 3 is a top plan view thereof;
FIG. 4 is a rear view thereof;
FIG. 5 is a front elevational view thereof;
FIG. 6 is a side elevational view of the sample holder as seen from the right hand side of the sample holder shown in FIG. 5;
FIG. 7 is a side elevational view of the sample holder as seen from the left hand side of the sample holder shown in FIG. 5; and,
FIG. 8 is a bottom view thereof.

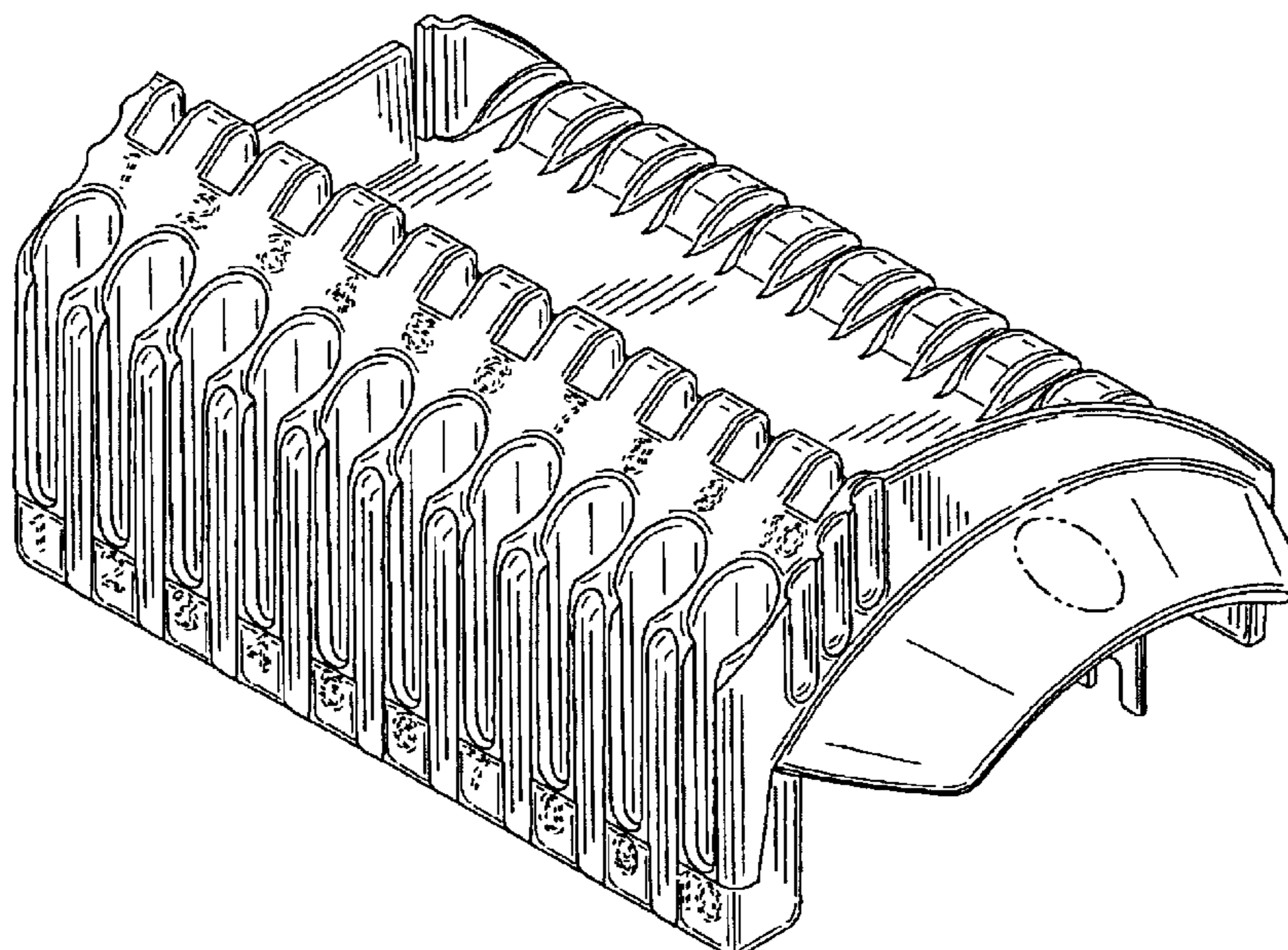
The phantom lines shown in the figures are for illustrative purposes only and form no part of the claimed design.

(56) **References Cited**

U.S. PATENT DOCUMENTS

D413,391 S * 8/1999 Lapeus et al. D24/227

1 Claim, 7 Drawing Sheets



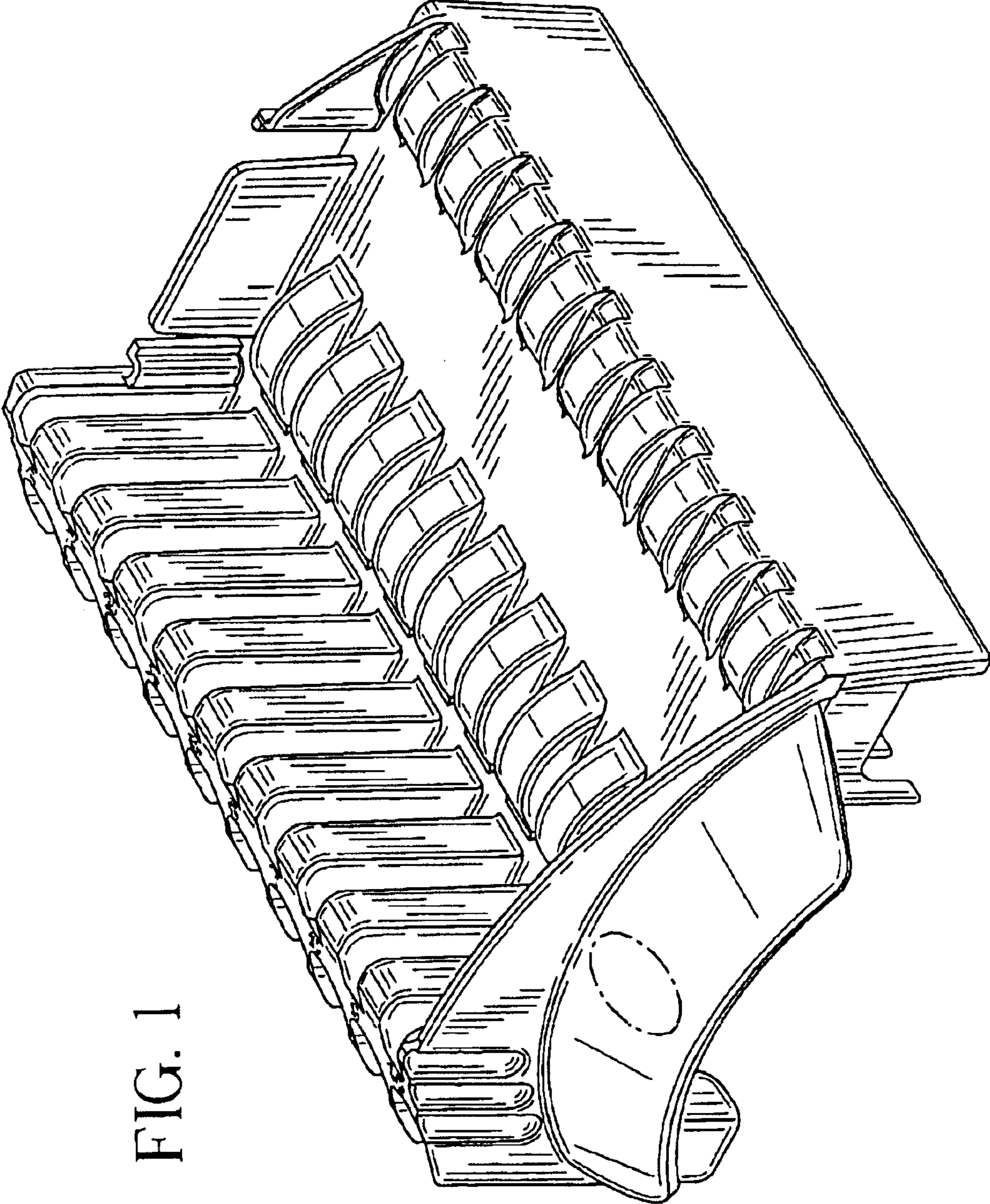


FIG. 1

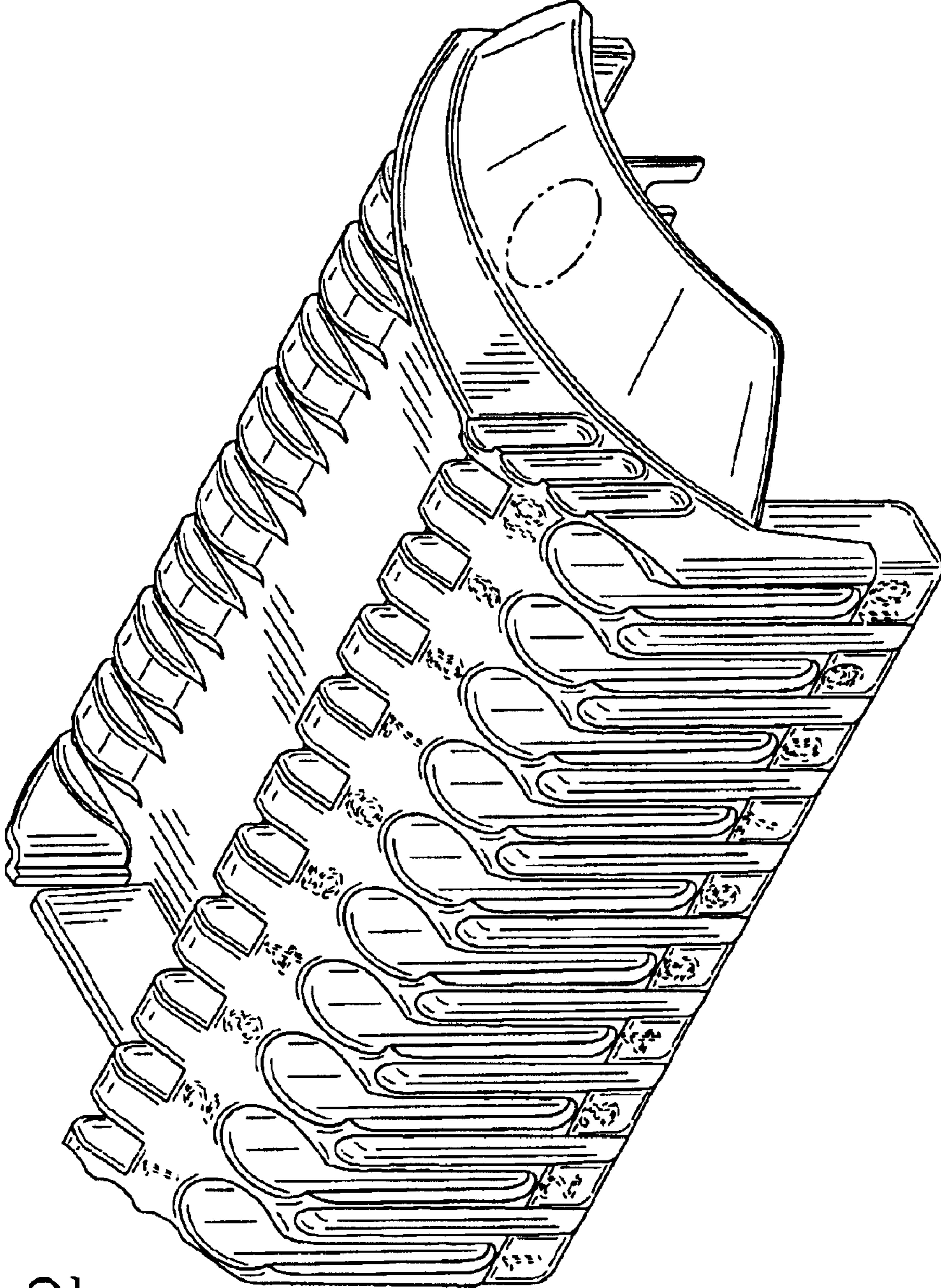


FIG. 2

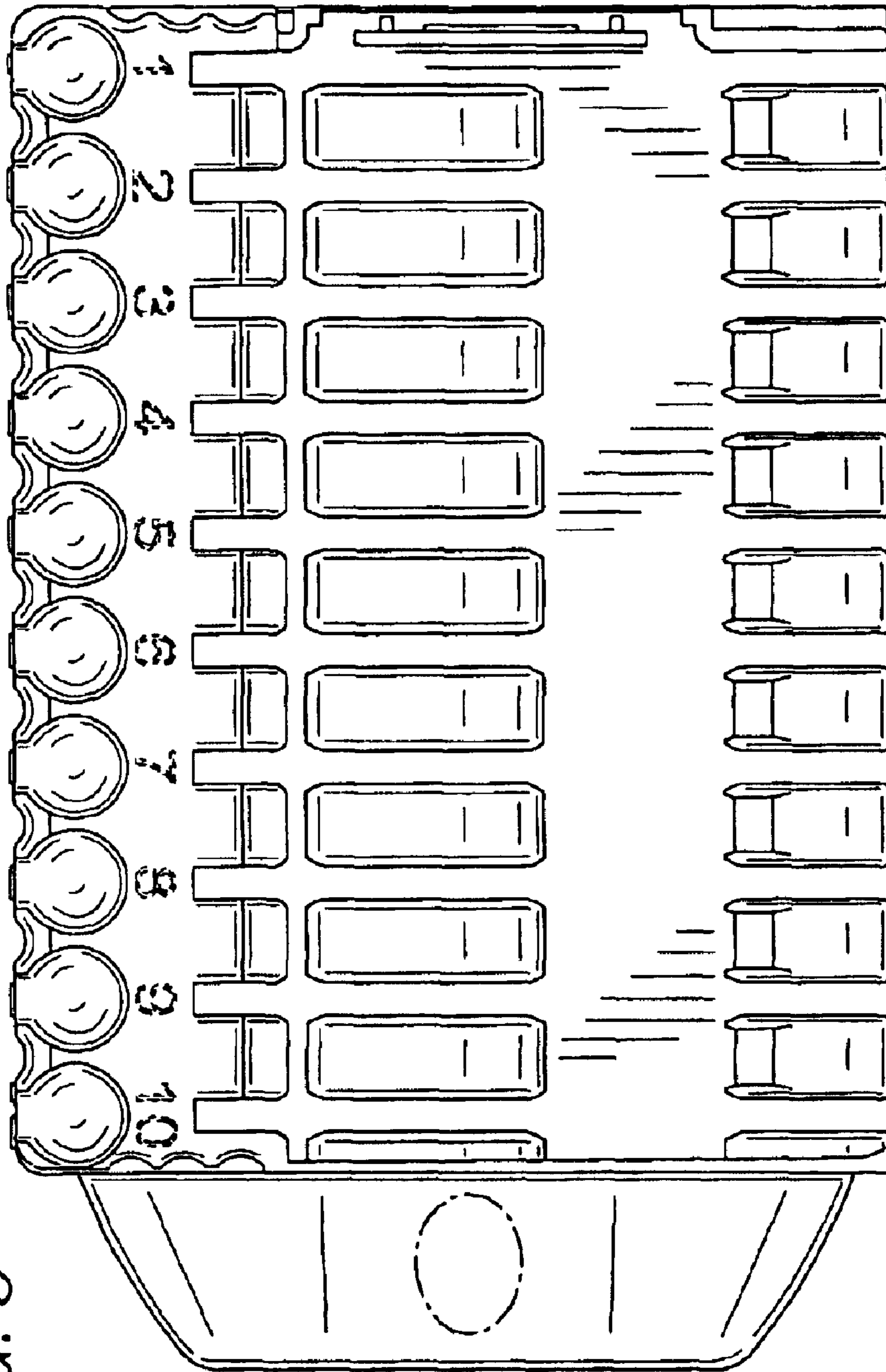
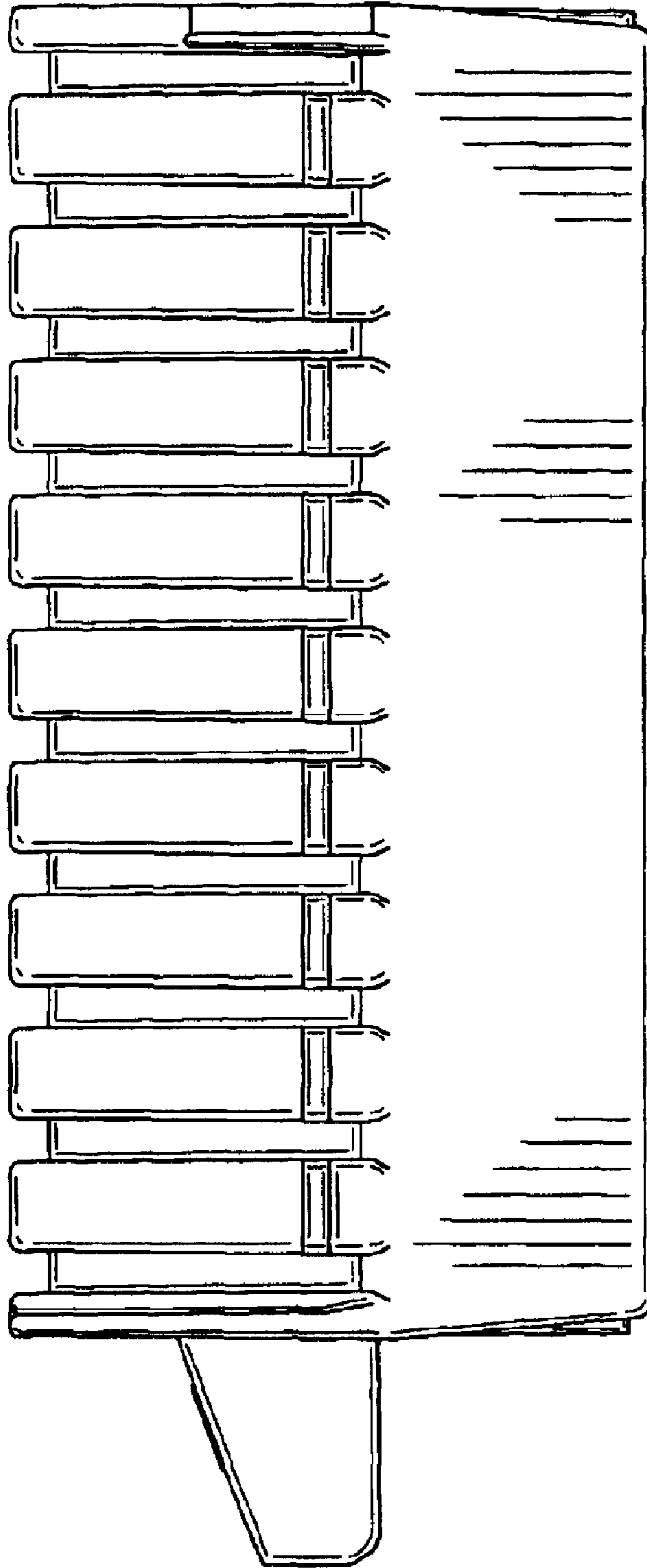


FIG. 3

FIG. 4



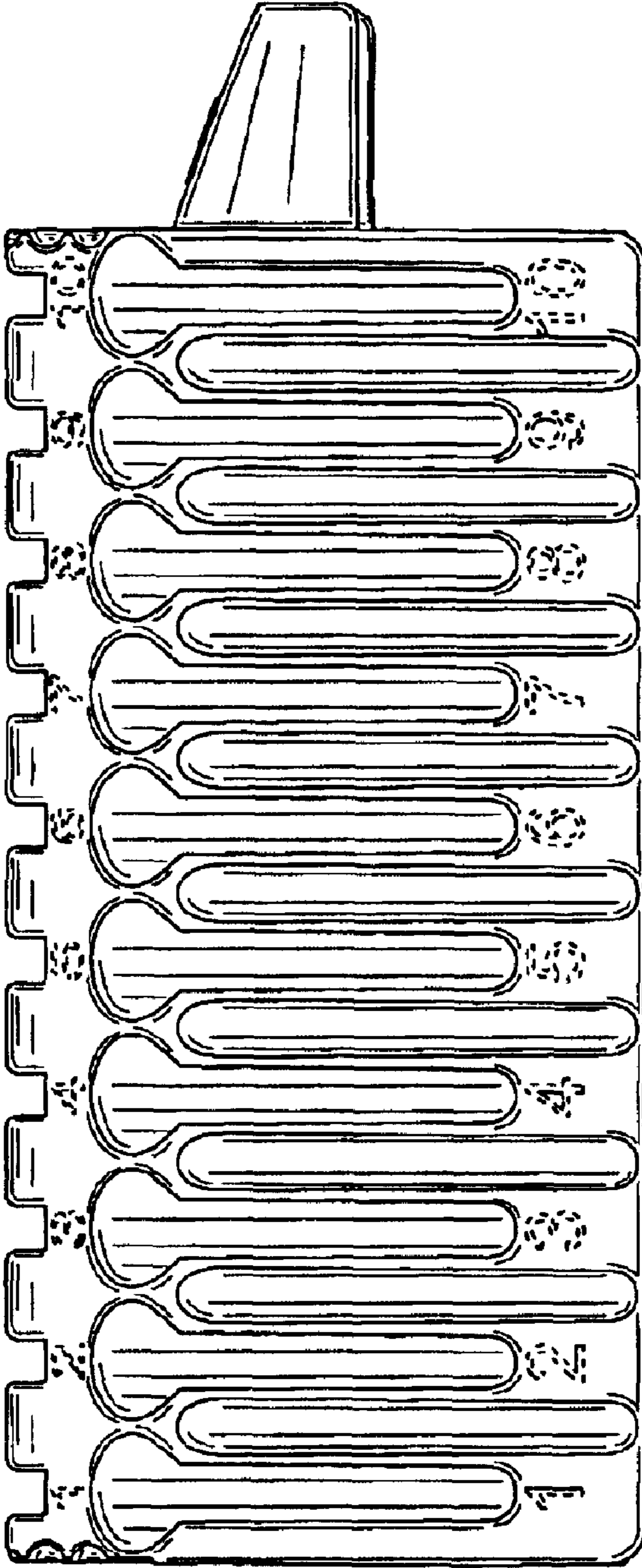


FIG. 5

FIG. 7

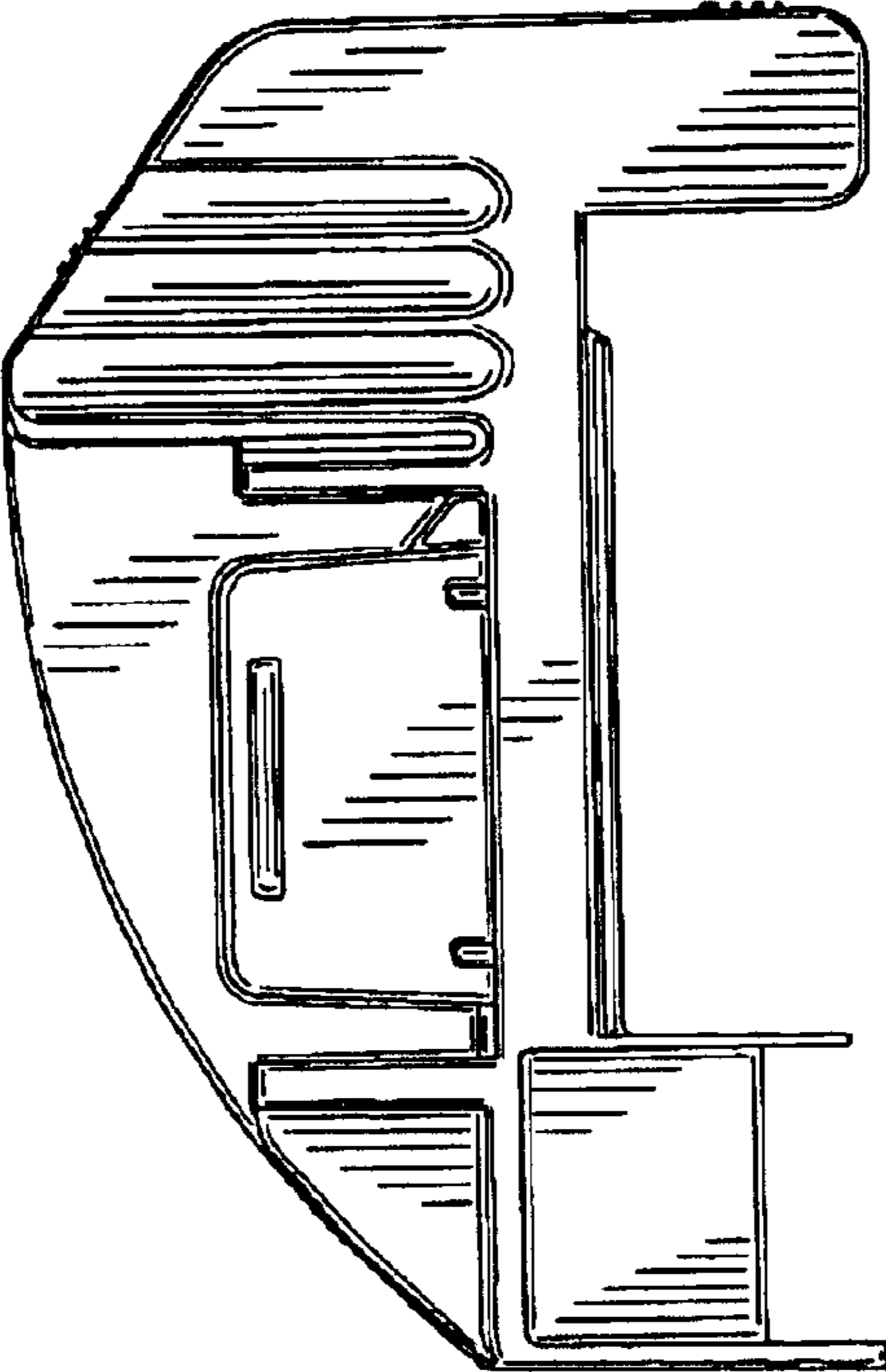


FIG. 6

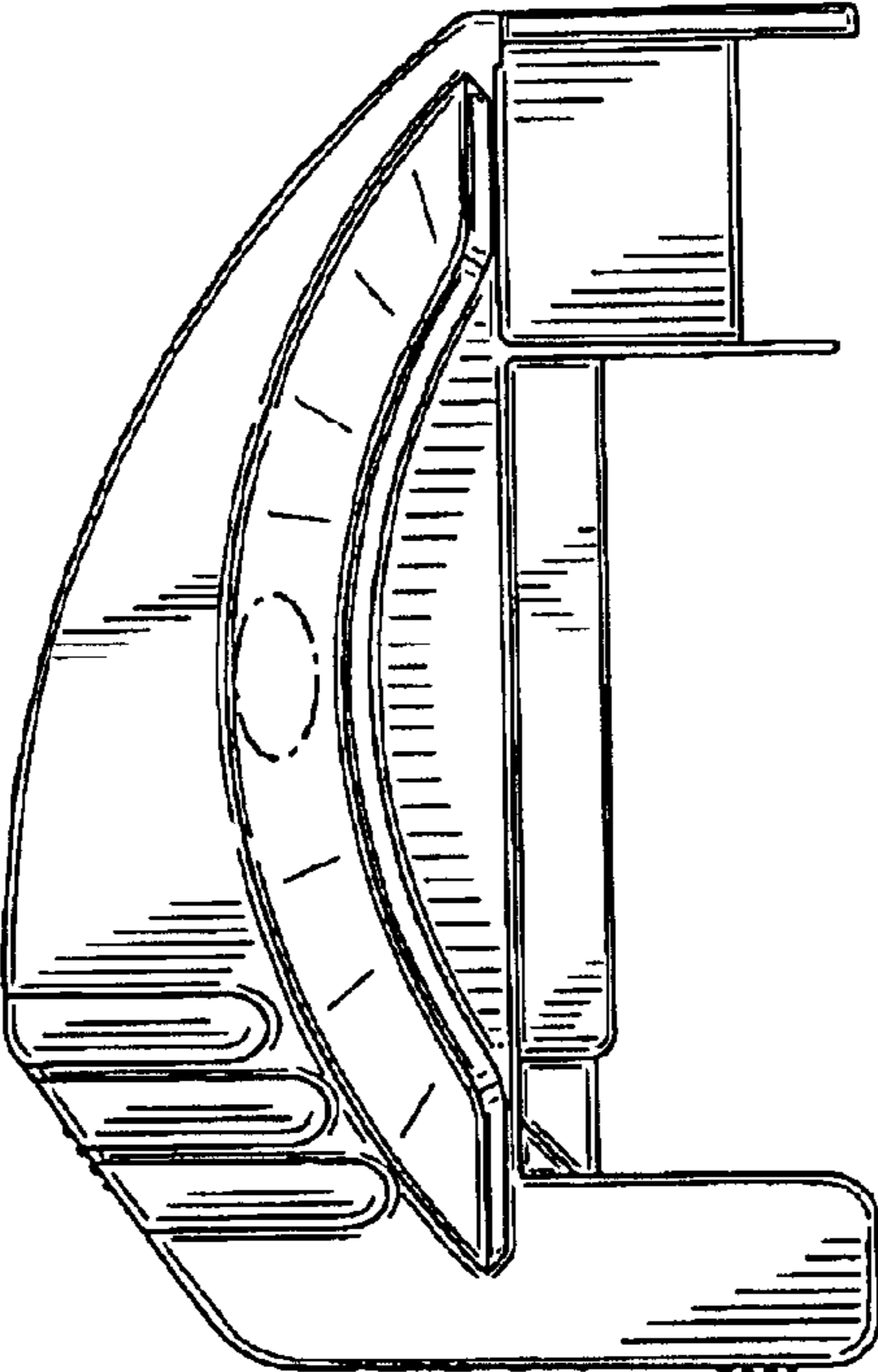


FIG. 8

