

US00D500359S

(12) **United States Design Patent**  
**Davis**

(10) **Patent No.:** **US D500,359 S**  
(45) **Date of Patent:** **\*\* Dec. 28, 2004**

(54) **ARCHED FIREPLACE**

D455,206 S \* 4/2002 Davis et al. .... D23/350

(75) **Inventor:** **Mark E. Davis**, Midland, GA (US)

\* cited by examiner

(73) **Assignee:** **W. C. Bradley Company**, Columbus, GA (US)

*Primary Examiner*—Brian N Vinson  
(74) *Attorney, Agent, or Firm*—James W. Kayden; Thomas, Kayden, Horstemeyer & Risley, LLP

(\*\*) **Term:** **14 Years**

(57) **CLAIM**

(21) **Appl. No.:** **29/186,845**

The ornamental design for an arched fireplace, as shown and described.

(22) **Filed:** **Jul. 23, 2003**

**DESCRIPTION**

(51) **LOC (7) Cl.** ..... **23-03**

(52) **U.S. Cl.** ..... **D23/343**

(58) **Field of Search** ..... D23/342-343,  
D23/350; 126/500, 519, 540, 542, 543,  
548, 554-555, 58

FIG. 1 is a perspective view showing my new arched fireplace;

FIG. 2 is a front elevational view thereof, the rear elevational view being a mirror image of that which is shown;

FIG. 3 is a left side elevational view thereof, the right side elevational view thereof being a mirror image of that which is shown.

FIG. 4 is a top plan view thereof; and,

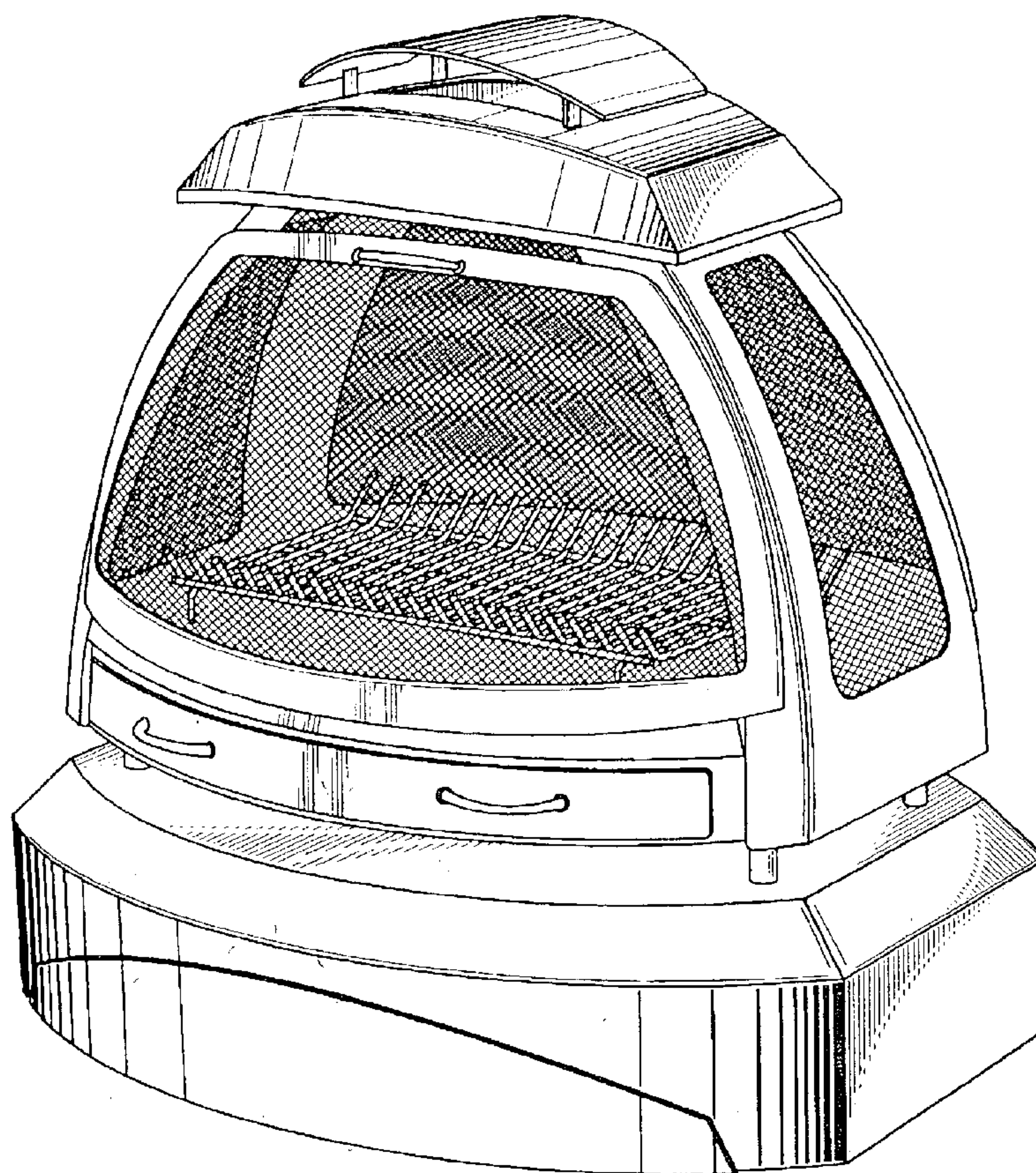
FIG. 5 is a bottom plan view thereof.

(56) **References Cited**

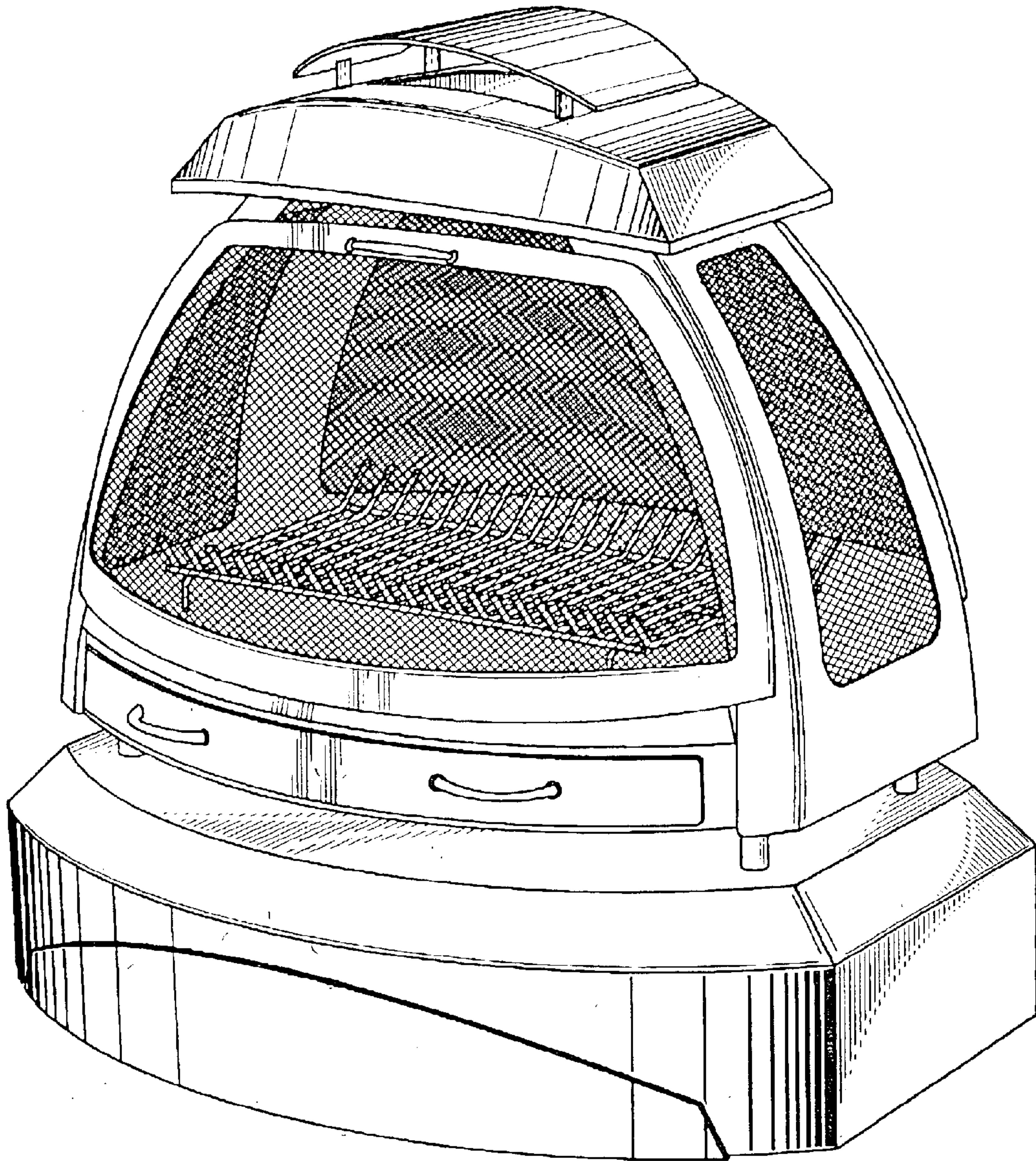
**U.S. PATENT DOCUMENTS**

- D427,298 S \* 6/2000 Maust et al. .... D23/343
- 6,286,503 B1 \* 9/2001 Bach et al. .... 126/519
- D451,989 S \* 12/2001 Ashton et al. .... D23/343

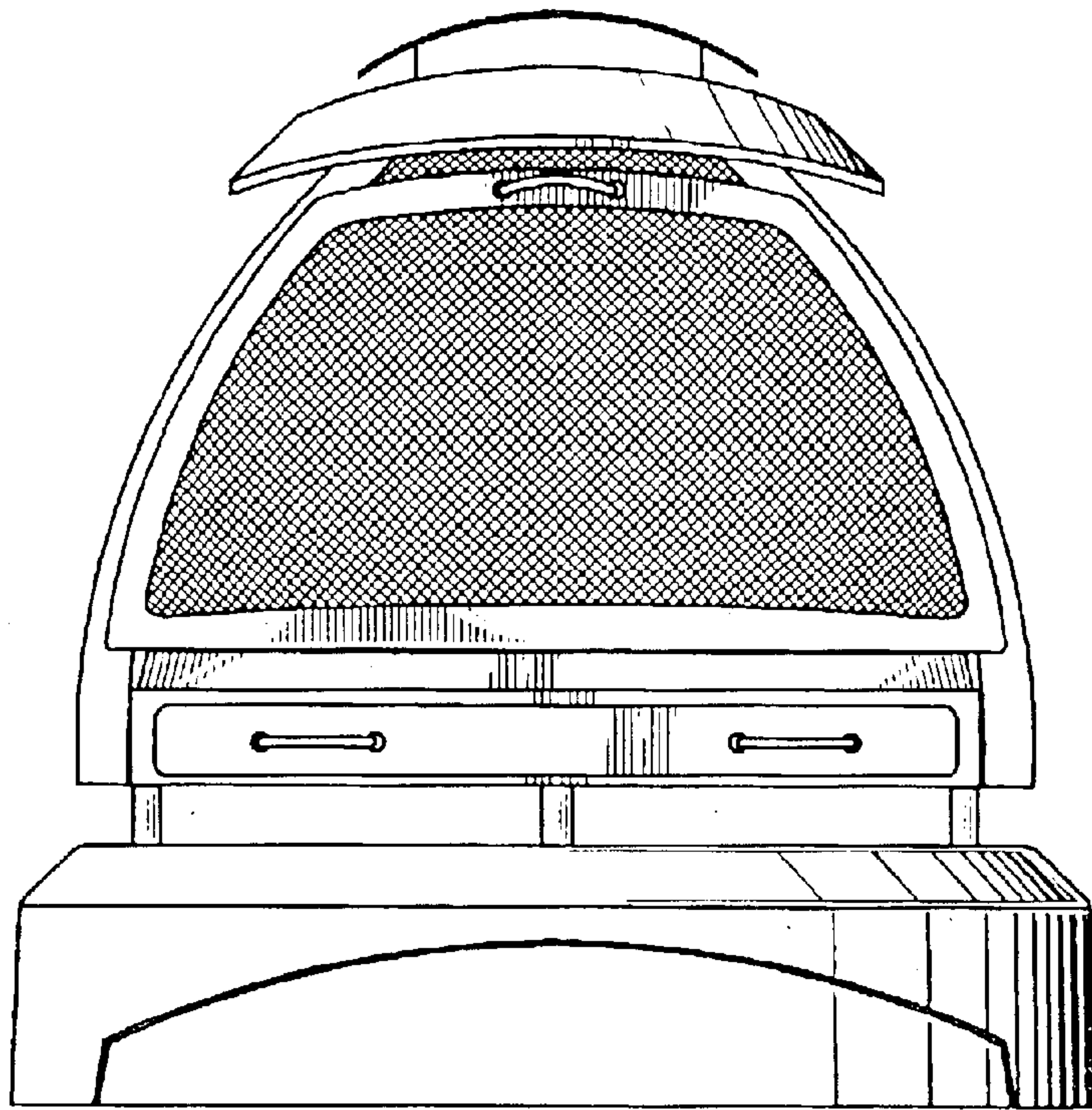
**1 Claim, 3 Drawing Sheets**



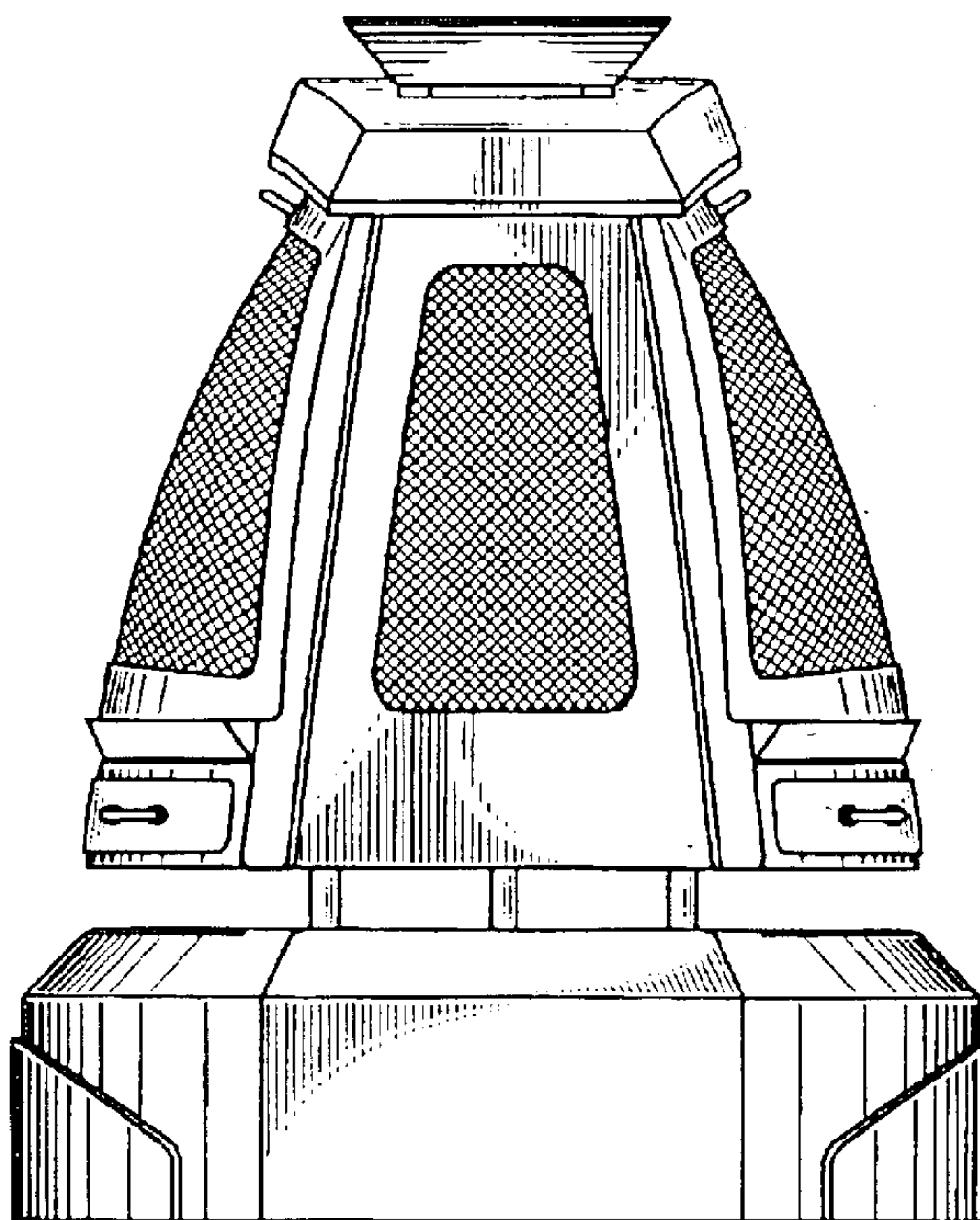




*Fig. 1*

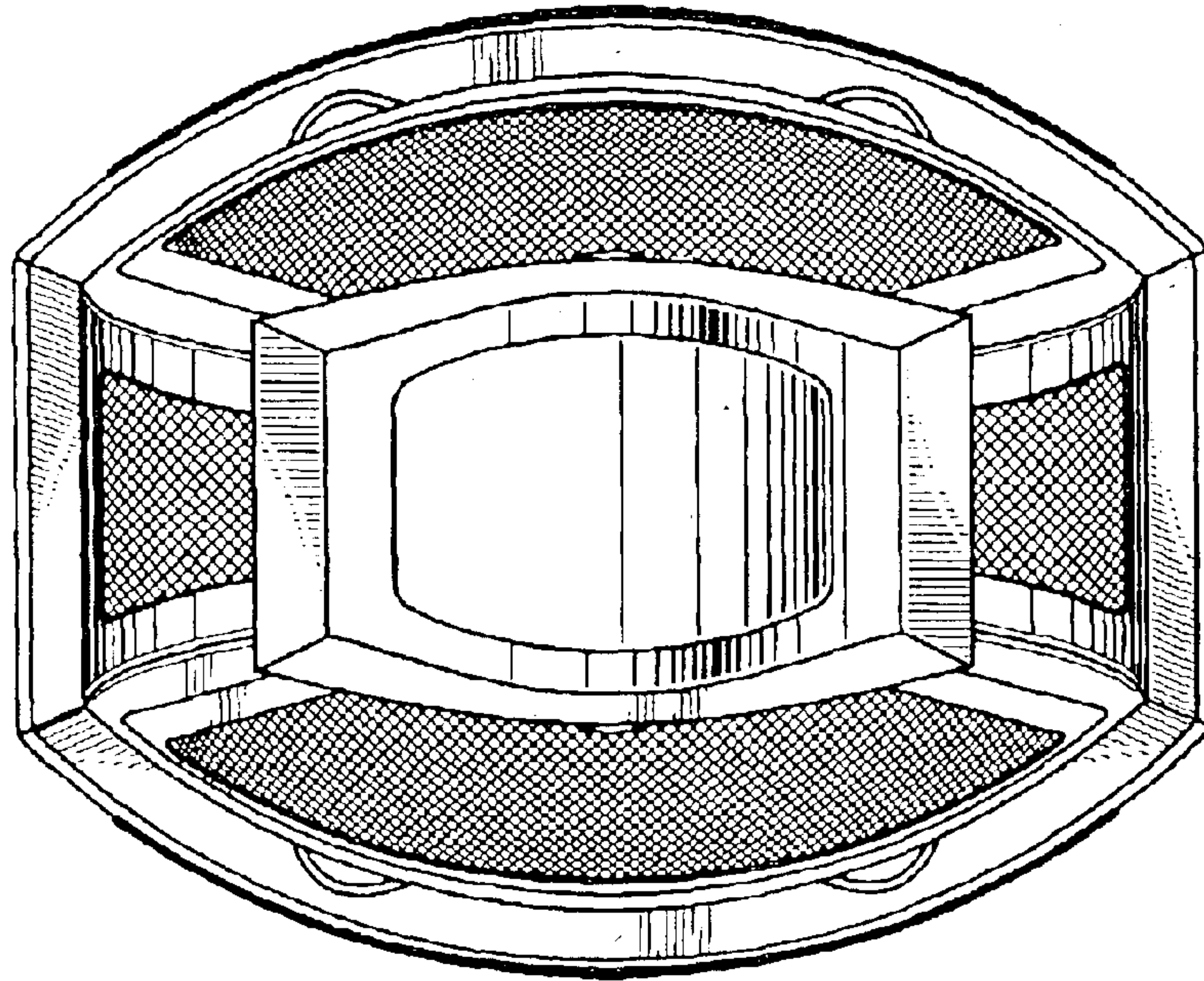


*Fig. 2*

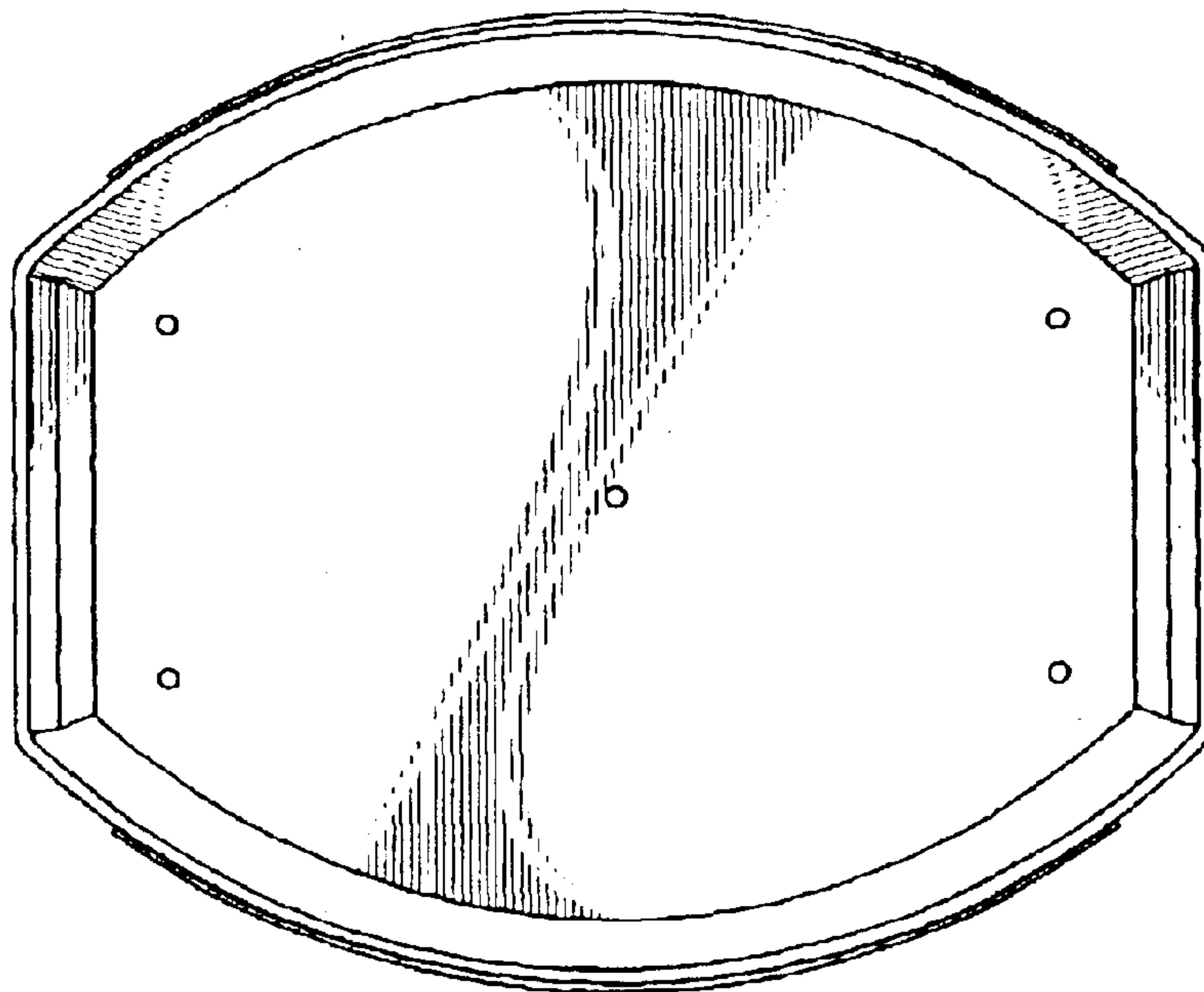


*Fig. 3*





*Fig. 4*



*Fig. 5*