

US00D500356S

(12) **United States Design Patent**
Haug et al.

(10) **Patent No.: US D500,356 S**
(45) **Date of Patent: ** Dec. 28, 2004**

(54) **SHOWER CABIN**

(75) Inventors: **Andreas Haug**, Stuttgart (DE); **Tom Schönherr**, Stuttgart (DE); **Peter Kolin**, Schwäbisch-Gmünd (DE)

(73) Assignee: **Hansgrohe AG**, Schiltach (DE)

(**) Term: **14 Years**

(21) Appl. No.: **29/183,564**

(22) Filed: **Jun. 13, 2003**

(30) **Foreign Application Priority Data**

Dec. 13, 2002 (DE) 40210320

(51) **LOC (7) Cl.** **23-02**

(52) **U.S. Cl.** **D23/283**

(58) **Field of Search** D23/270, 275,
D23/279, 283, 303, 304-307; 4/552, 604-605,
596-598, 607-615, 555-558, 601

(56) **References Cited**

U.S. PATENT DOCUMENTS

- D323,208 S * 1/1992 Gunther D23/283
- 5,544,369 A * 8/1996 Roberts 4/605
- D380,528 S * 7/1997 D'Andrea D23/283
- D385,019 S * 10/1997 Sadler D23/283

- D405,517 S * 2/1999 Eeckhoudt D23/283
- 6,134,722 A * 10/2000 Lowry et al. 4/601
- 2003/0188378 A1 * 10/2003 Brunelle et al. 4/597

OTHER PUBLICATIONS

Leaflet by Vismara Vetro, one page, 2002.
Catalog by Duscholux, 2 pp, 2002.

* cited by examiner

Primary Examiner—Robert A. Delehanty
(74) *Attorney, Agent, or Firm*—Duane Morris LLP

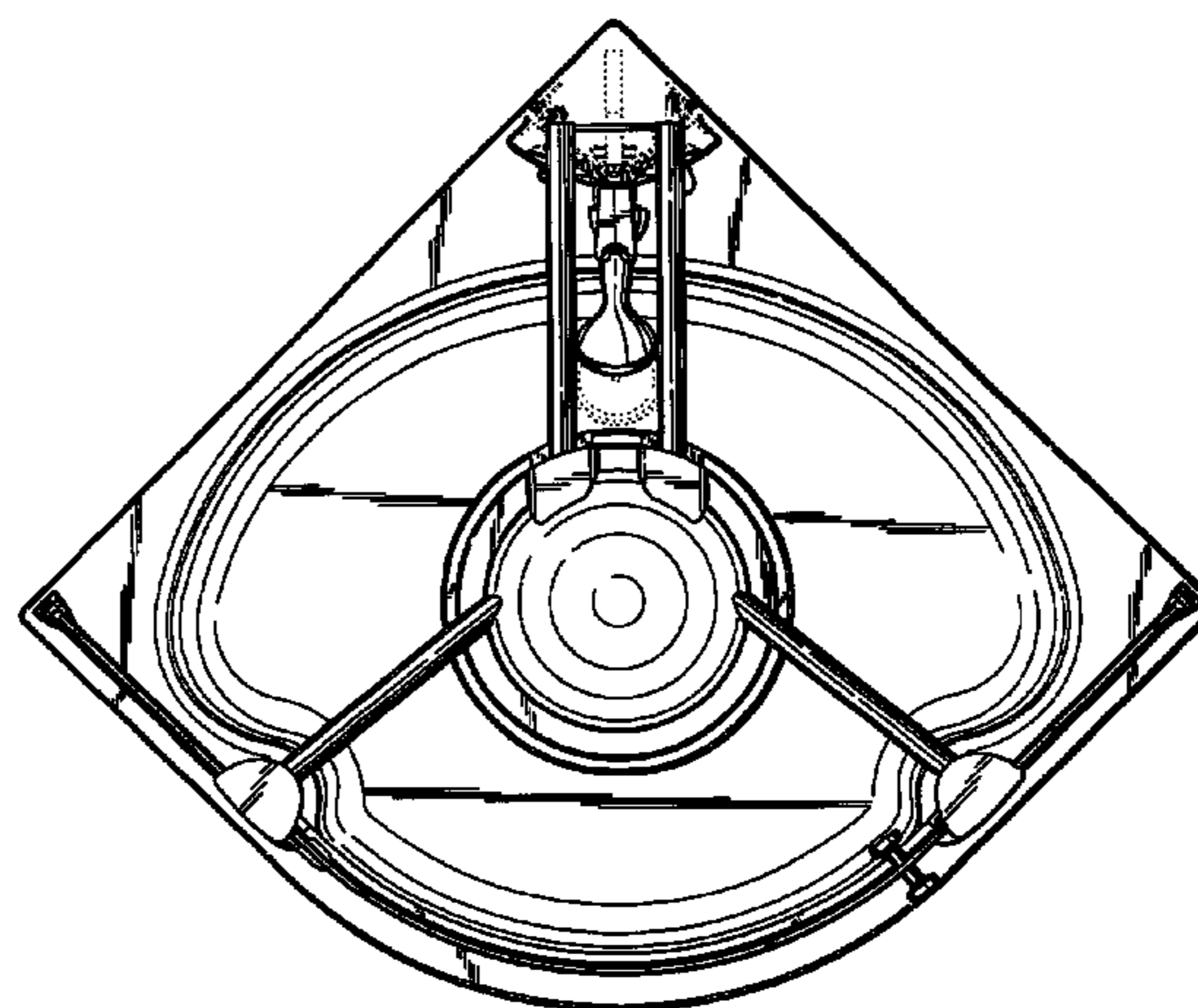
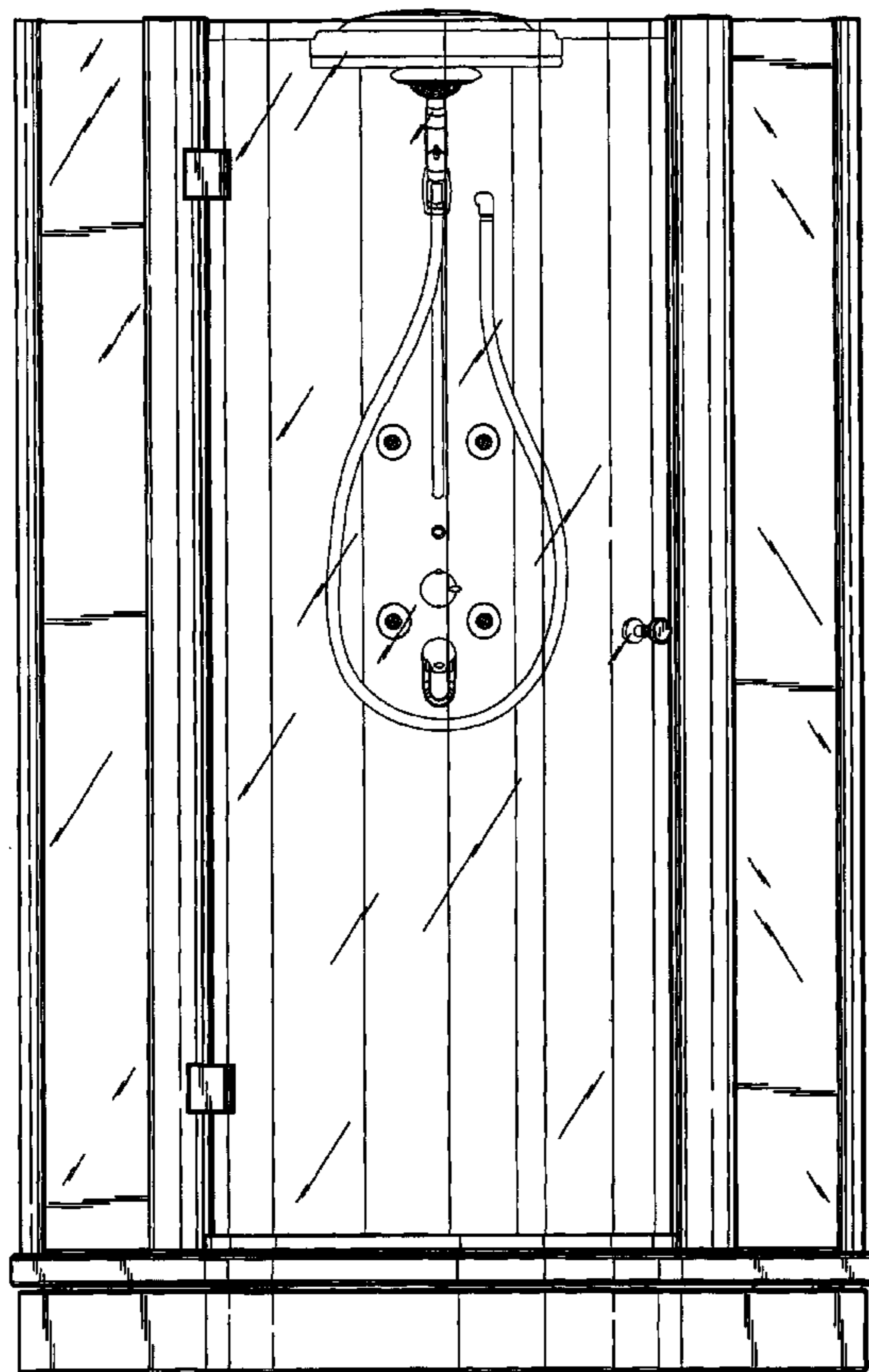
(57) **CLAIM**

The ornamental design for a shower cabin, as shown and described.

DESCRIPTION

FIG. 1: is a front elevation view of the shower cabin showing our new design;
FIG. 2: is a side elevation view thereof (the opposite side being a mirror image);
FIG. 3: is a top plan view thereof; and,
FIG. 4: is a rear elevation view thereof.
All portions and parts shown in broken or dotted lines are for illustrative purposes only and form no part of the claimed design.

1 Claim, 4 Drawing Sheets



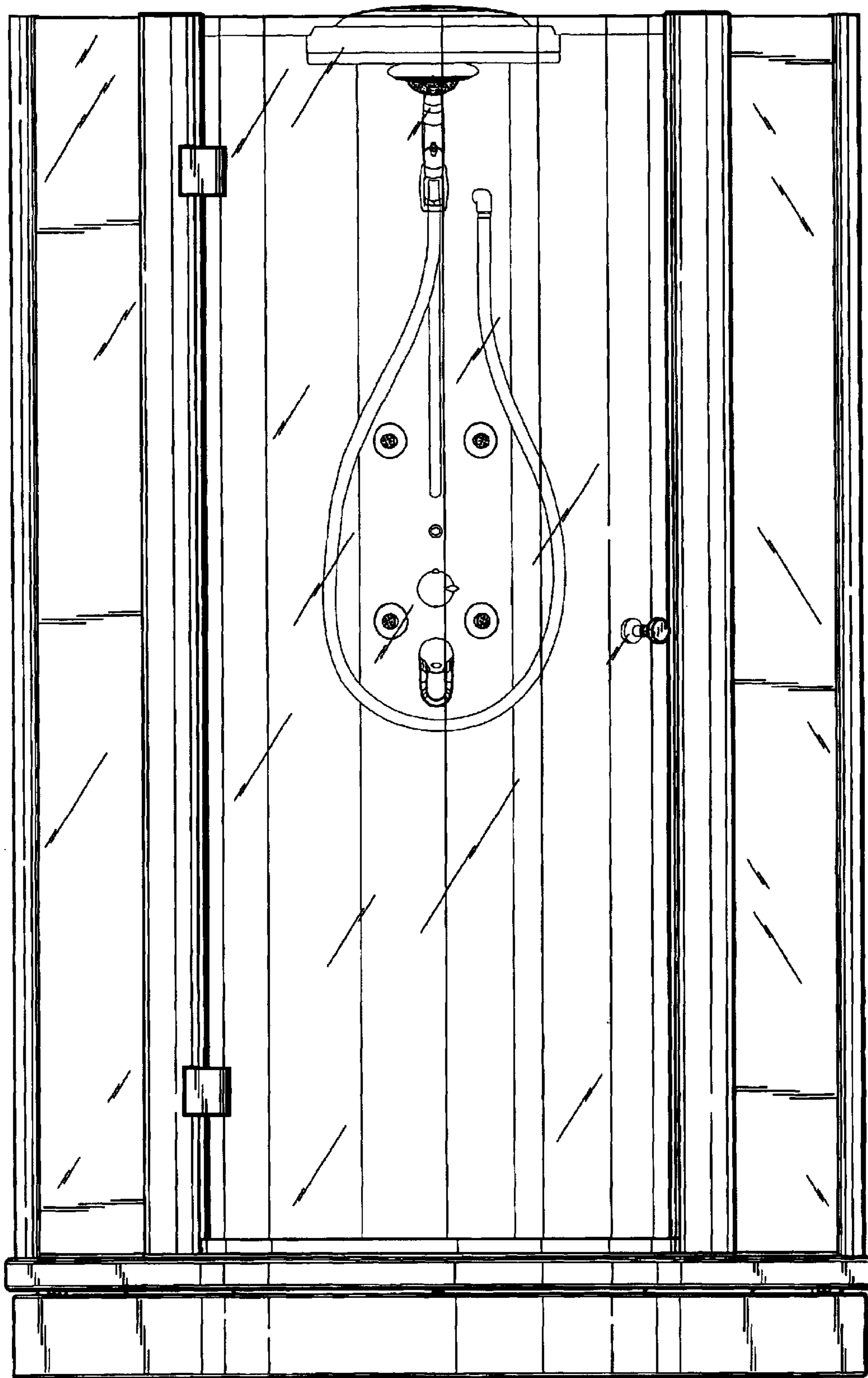


FIG. 1

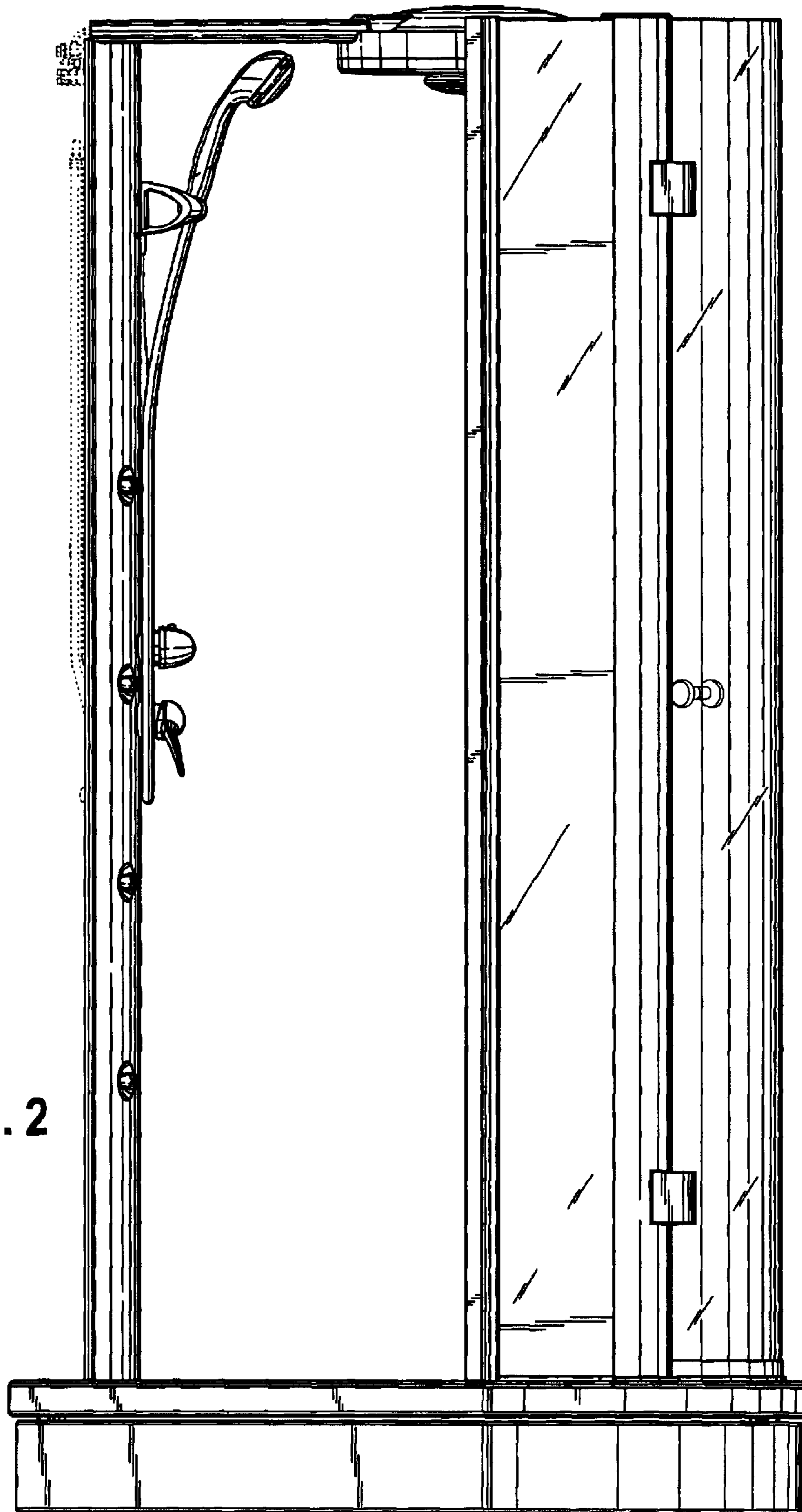
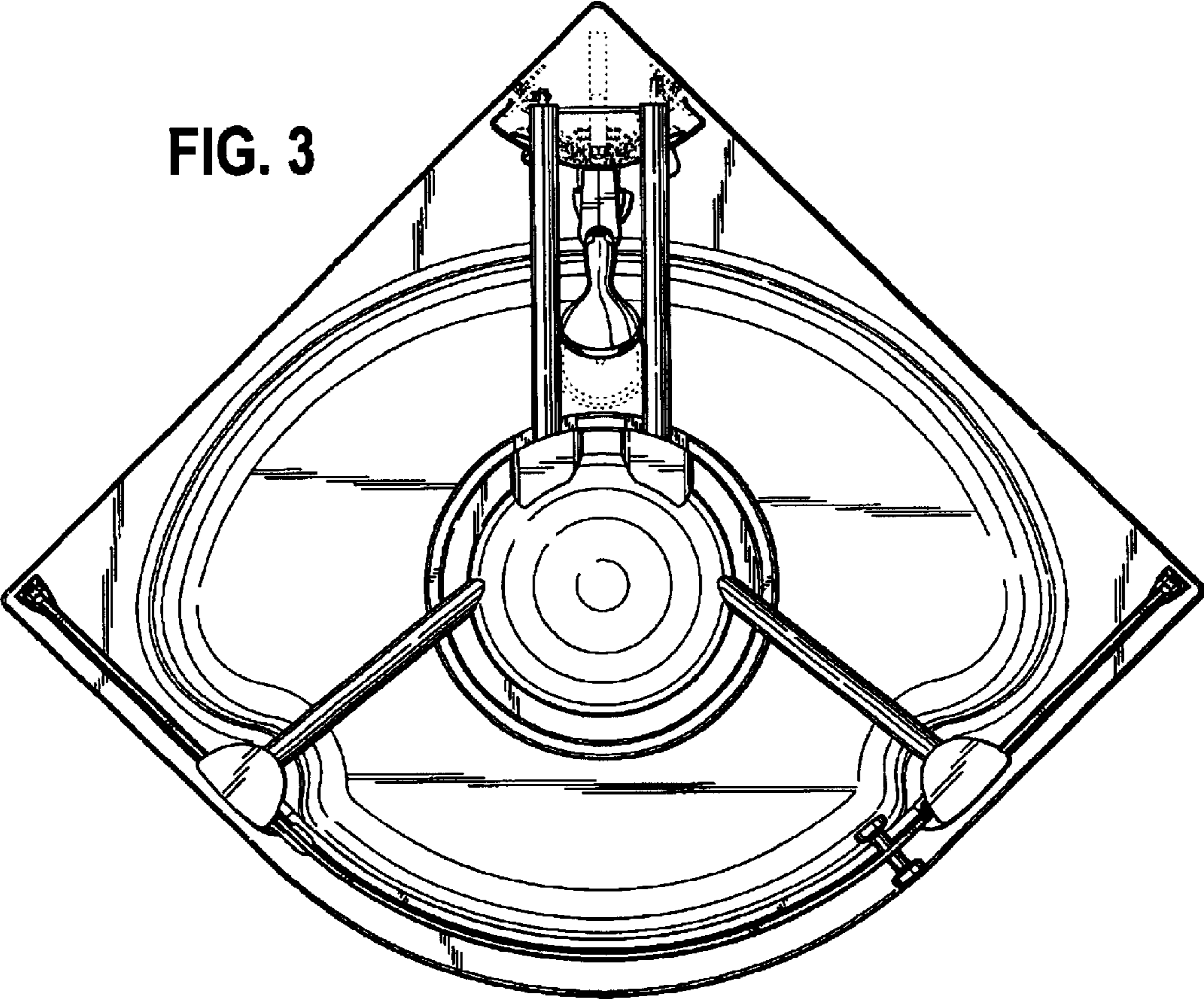


FIG. 2

FIG. 3



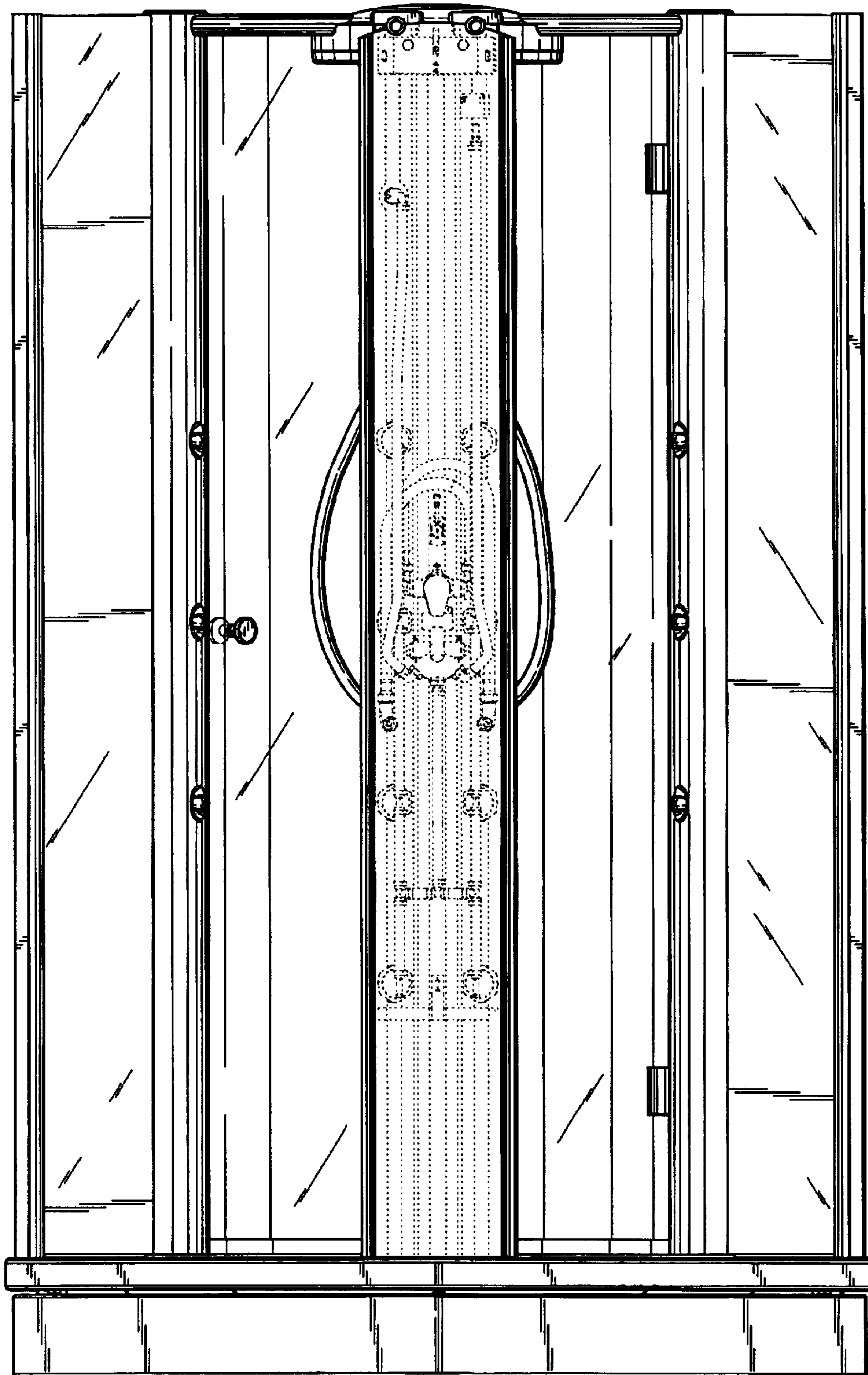


FIG. 4