

US00D500355S

(12) **United States Design Patent**
Fleischmann

(10) **Patent No.:** **US D500,355 S**

(45) **Date of Patent:** **** Dec. 28, 2004**

(54) **FAUCET**

(75) **Inventor:** **Klaus Fleischmann, Krefeld (DE)**

(73) **Assignee:** **Hansa Metallwerke AG (DE)**

(**) **Term:** **14 Years**

(21) **Appl. No.:** **29/083,223**

(22) **Filed:** **Feb. 4, 1998**

(30) **Foreign Application Priority Data**

Oct. 9, 1997 (DE) M 97 09 402

(51) **LOC (7) Cl.** **23-01**

(52) **U.S. Cl.** **D23/238**

(58) **Field of Search** D23/238-243,
D23/250-257; 4/625-678; 137/801

(56) **References Cited**

U.S. PATENT DOCUMENTS

D347,265 S * 5/1994 Gottwald D23/239

D365,624 S * 12/1995 Gottwald D23/238
D372,518 S * 8/1996 Gottwald D23/238
D378,774 S * 4/1997 Kergoet D23/238
D379,648 S * 6/1997 Fleischmann D23/238

* cited by examiner

Primary Examiner—Eric Watterson

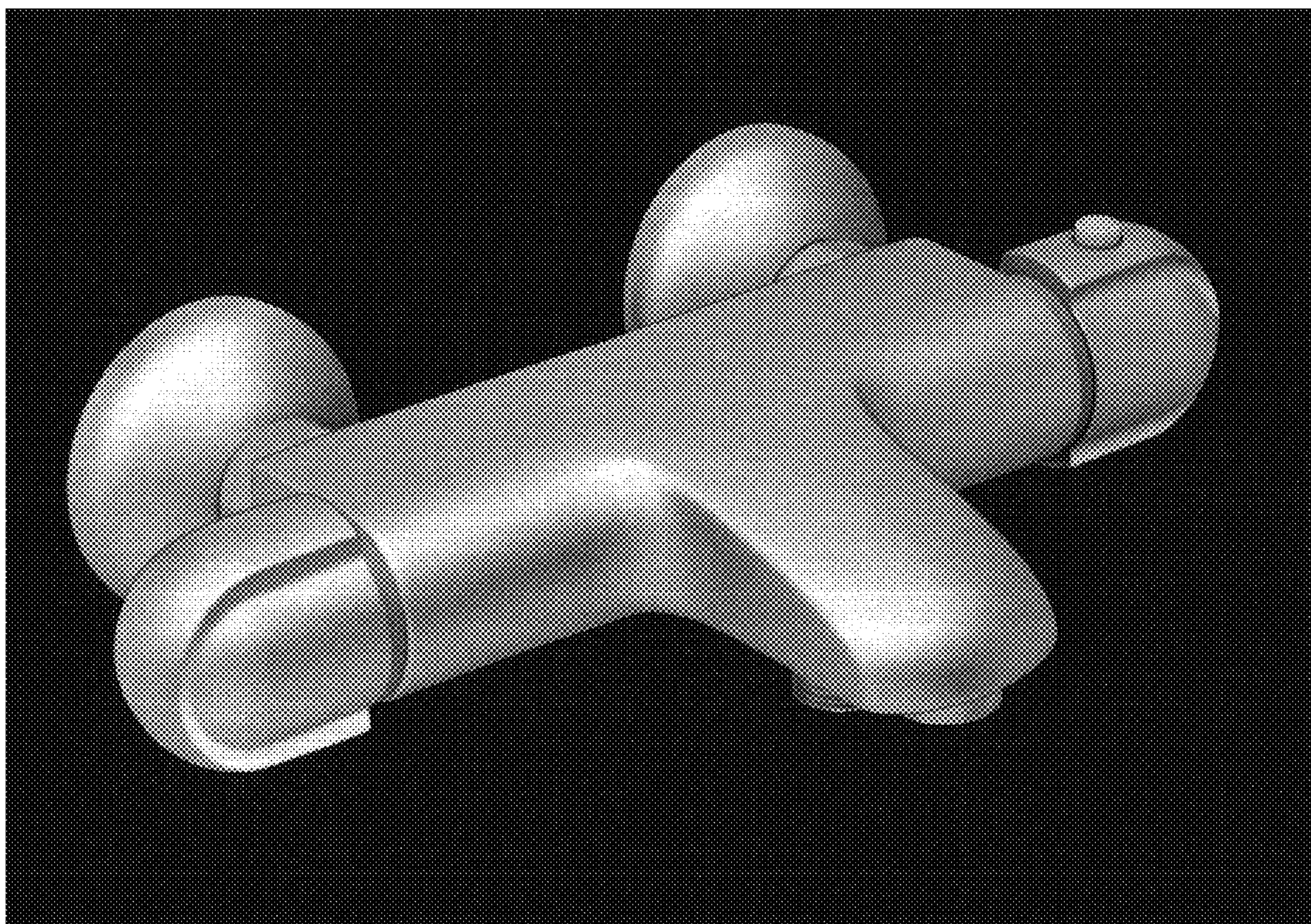
(57) **CLAIM**

I claim the ornamental design for a faucet, as shown and described.

DESCRIPTION

FIG. 1 is a left-hand view of the invention.
FIG. 2 is a front elevational view of the invention with the button raised.
FIG. 3 is a rear elevational view of the invention thereof.
FIG. 4 is a top view of the invention thereof.
FIG. 5 is a bottom view of the invention thereof.
FIG. 6 is a perspective view of the invention thereof; and,
FIG. 7 is a right hand view of the invention thereof.

1 Claim, 7 Drawing Sheets



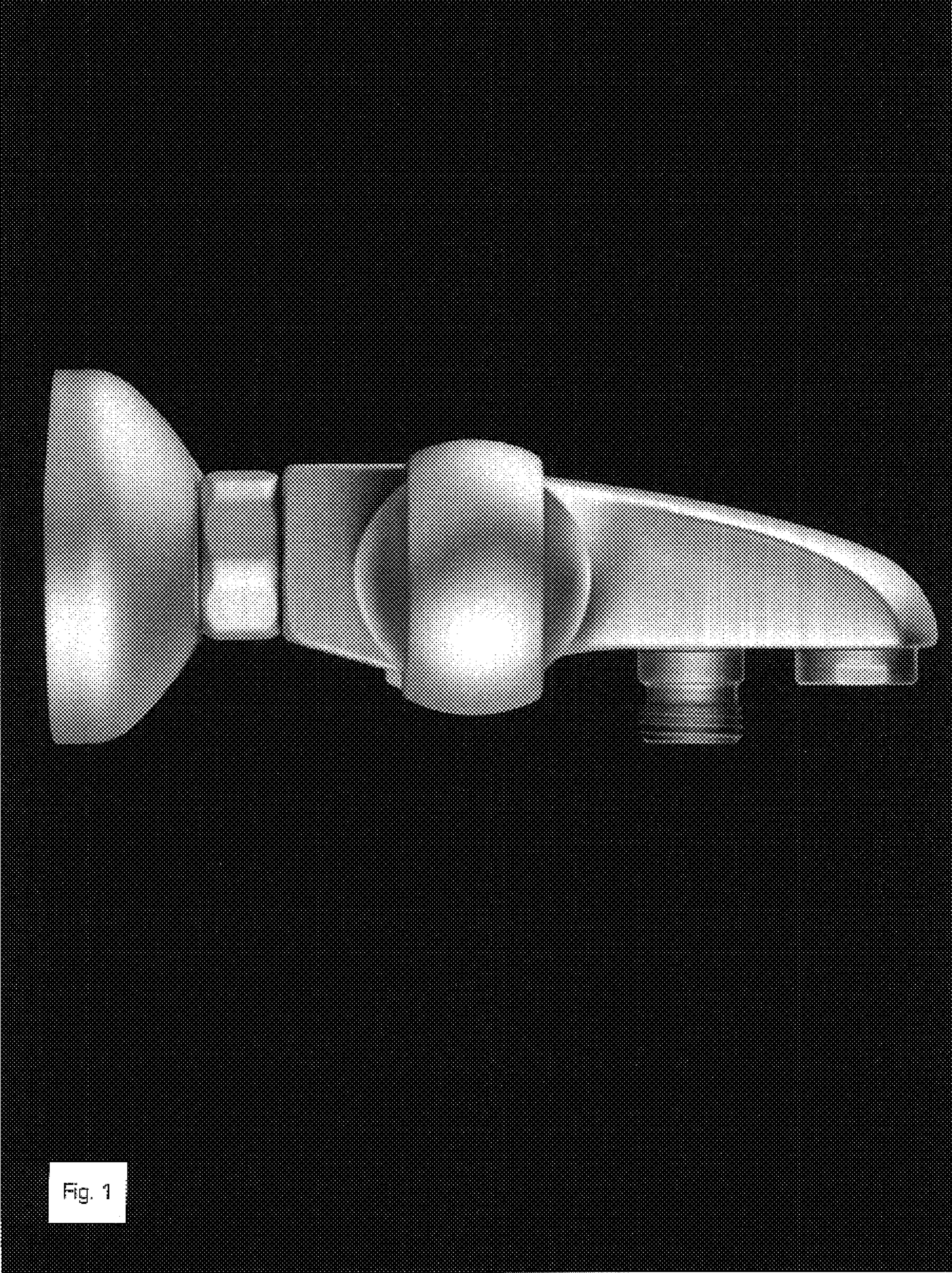
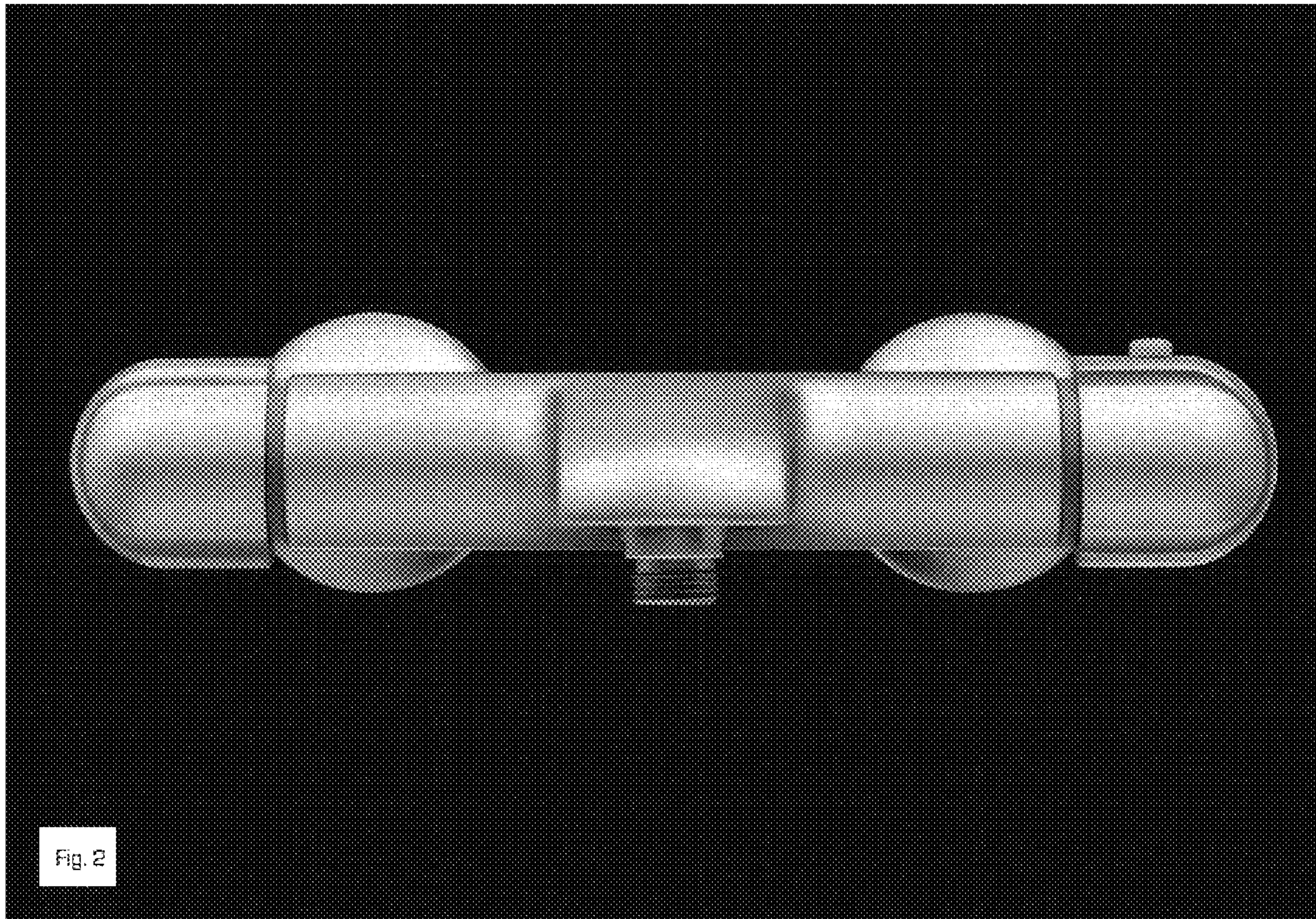
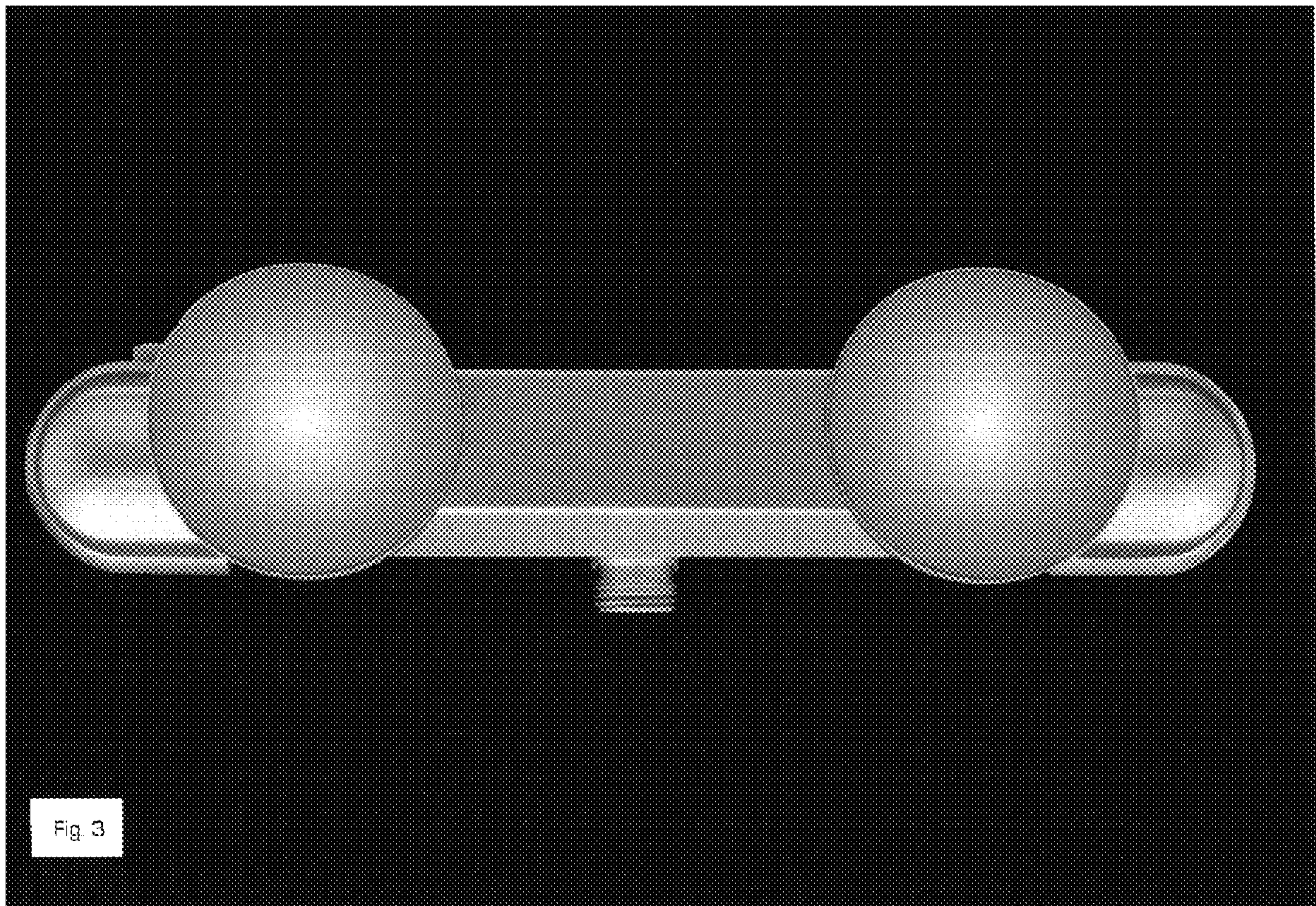
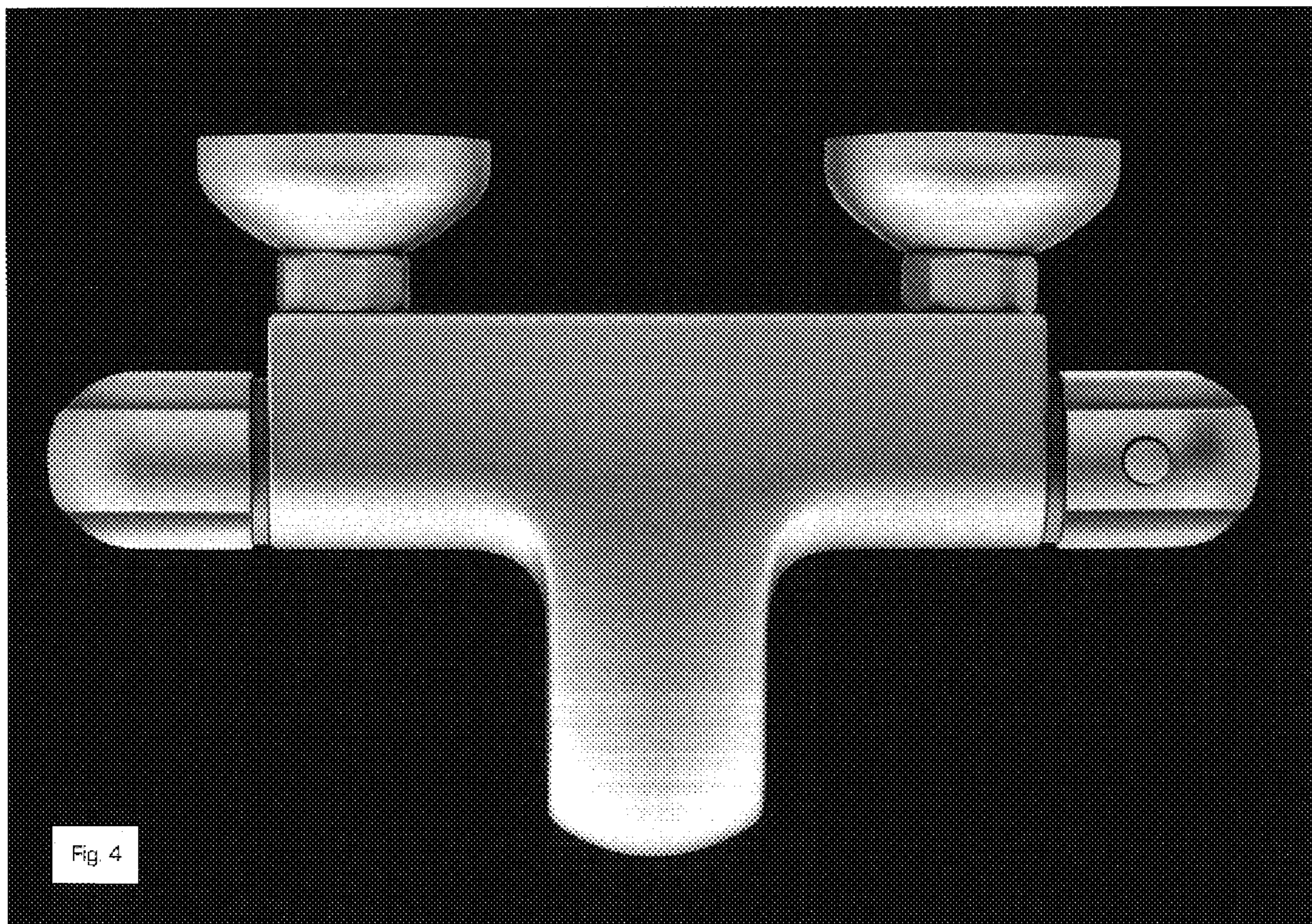
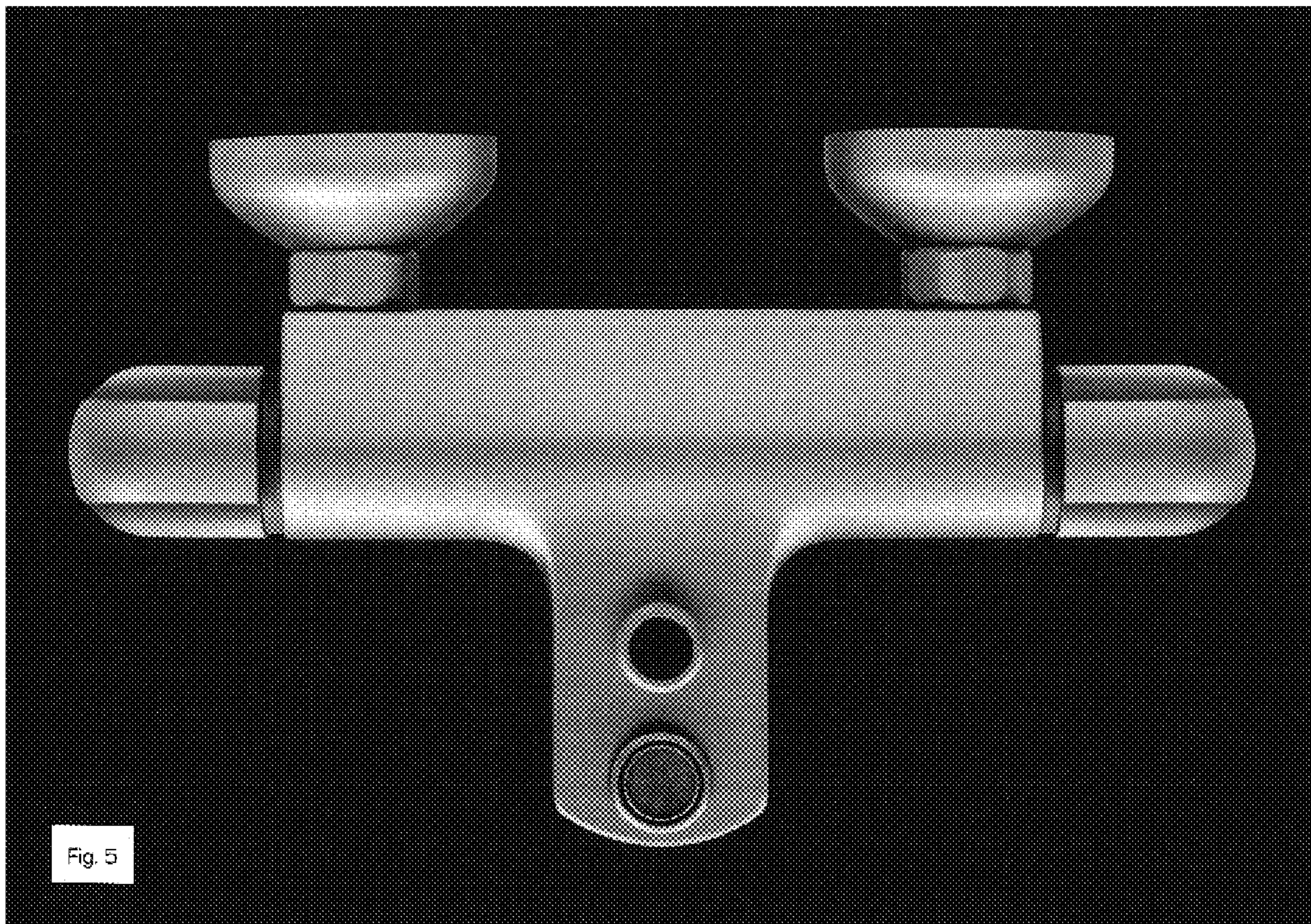


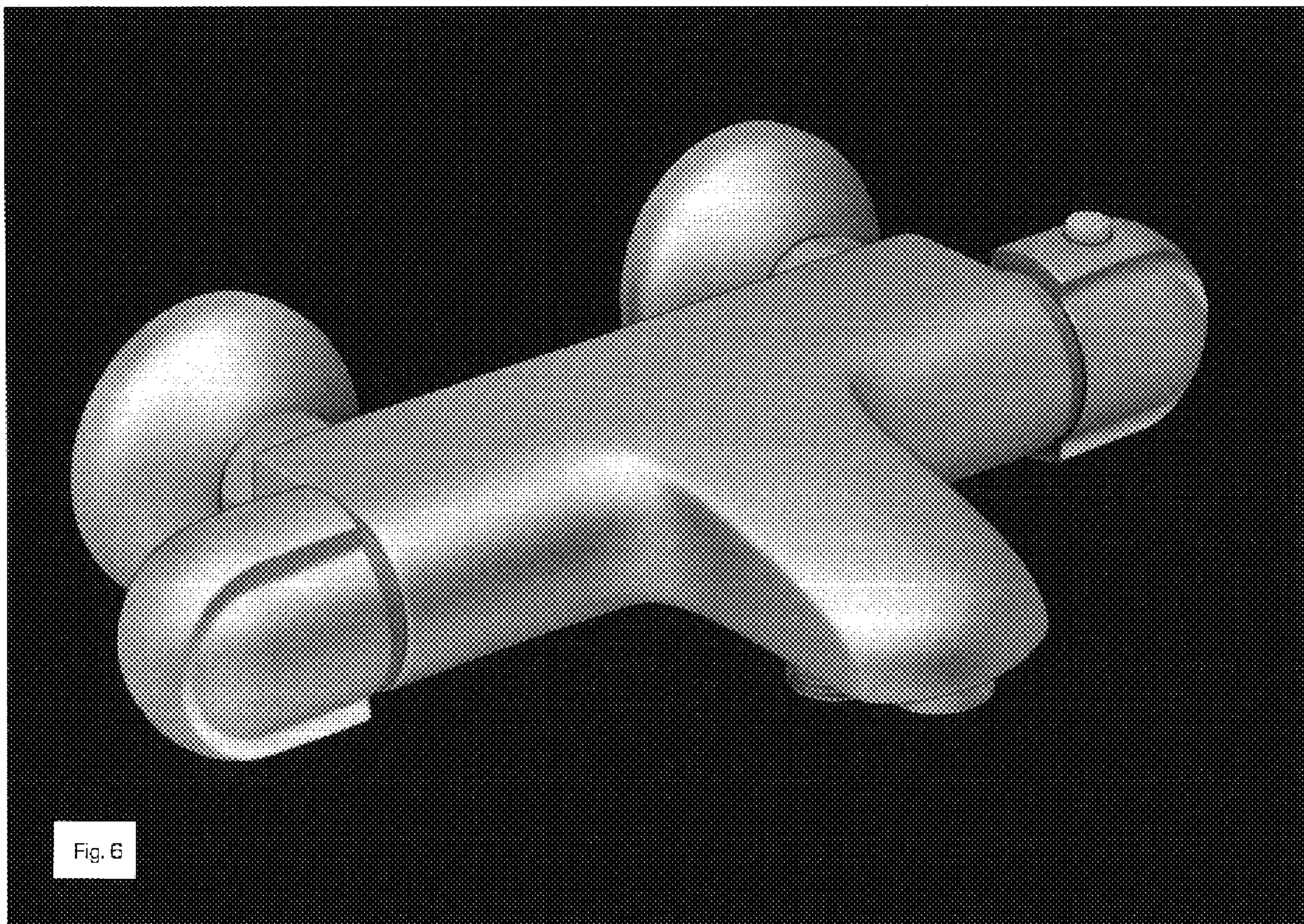
Fig. 1











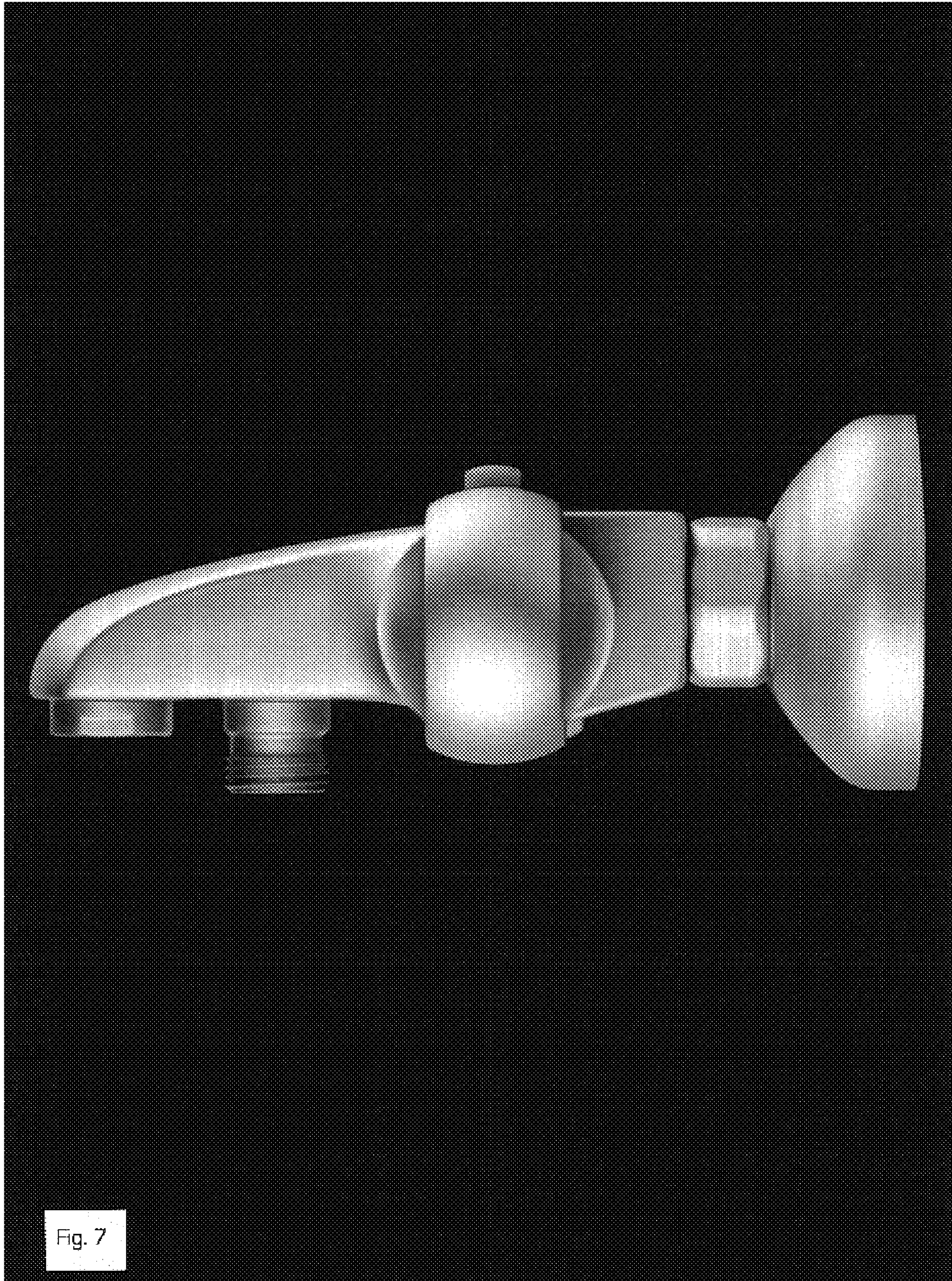


Fig. 7