

US00D500354S

(12) **United States Design Patent**
Iwabuchi

(10) **Patent No.: US D500,354 S**
(45) **Date of Patent: ** Dec. 28, 2004**

(54) **FISHING REEL**

(75) **Inventor: Masakazu Iwabuchi, Tondabayashi (JP)**

(73) **Assignee: Shimano Inc., Osaka (JP)**

(**) **Term: 14 Years**

(21) **Appl. No.: 29/195,654**

(22) **Filed: Dec. 17, 2003**

(30) **Foreign Application Priority Data**

Jun. 30, 2003 (JP) 2003-018647

(51) **LOC (7) Cl. 22-05**

(52) **U.S. Cl. D22/141**

(58) **Field of Search D22/141, 140,
D22/137; 242/223-224, 234, 370, 311,
322**

(56) **References Cited**

U.S. PATENT DOCUMENTS

- D405,154 S * 2/1999 Iwabuchi D22/141
- D423,635 S * 4/2000 Robbins D22/141
- D443,019 S * 5/2001 Kang et al. D22/141
- 6,629,655 B2 * 10/2003 Kitajima 242/311
- 2004/0075004 A1 * 4/2004 Miyasaka et al. 242/223

* cited by examiner

Primary Examiner—Catherine R. Oliver
(74) *Attorney, Agent, or Firm*—Shinju Global IP
Counselors, LLP

(57) **CLAIM**

The ornamental design for a fishing reel, as shown and described.

DESCRIPTION

FIG. 1 is a front view of a fishing reel in accordance with my new design;
 FIG. 2 is a rear view of the fishing reel in accordance with my new design;
 FIG. 3 is a left side view of the fishing reel in accordance with my new design;
 FIG. 4 is a right side view of the fishing reel in accordance with my new design;
 FIG. 5 is a top plan view of the fishing reel in accordance with my new design;
 FIG. 6 is a bottom plan view of the fishing reel in accordance with my new design;
 FIG. 7 is a perspective view of the fishing reel in accordance with my new design viewed from above;
 FIG. 8 is a perspective view of the fishing reel in accordance with my new design viewed from below;
 FIG. 9 is a cross sectional view of the fishing reel in accordance with my new design shown along line 9—9 of FIG. 3;
 FIG. 10 is a cross sectional view of the fishing reel in accordance with my new design shown along line 10—10 of FIG. 1; and,
 FIG. 11 is a cross sectional view of the fishing reel in accordance with my new design shown along line 11—11 of FIG. 5.

1 Claim, 6 Drawing Sheets

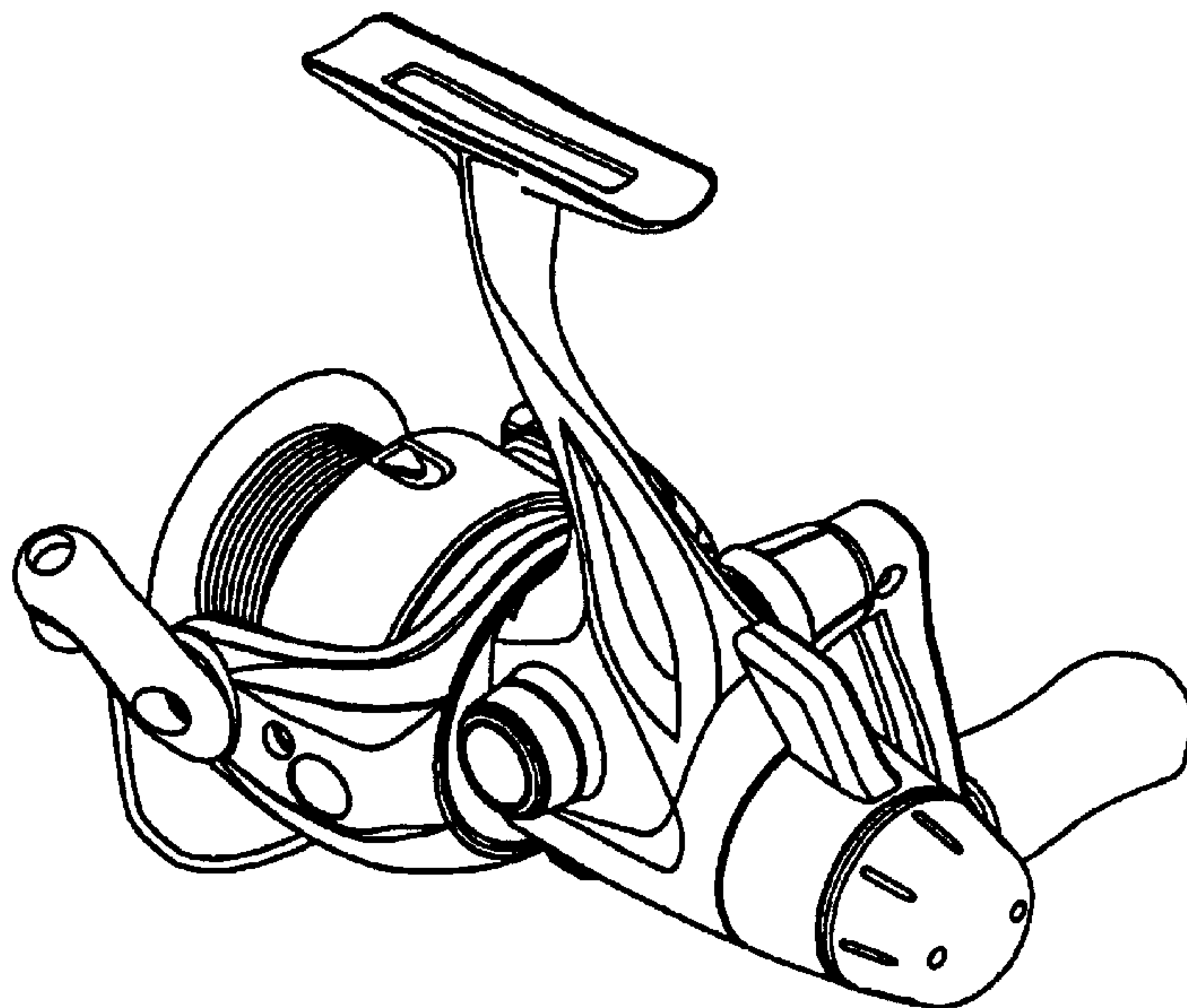


FIGURE 1

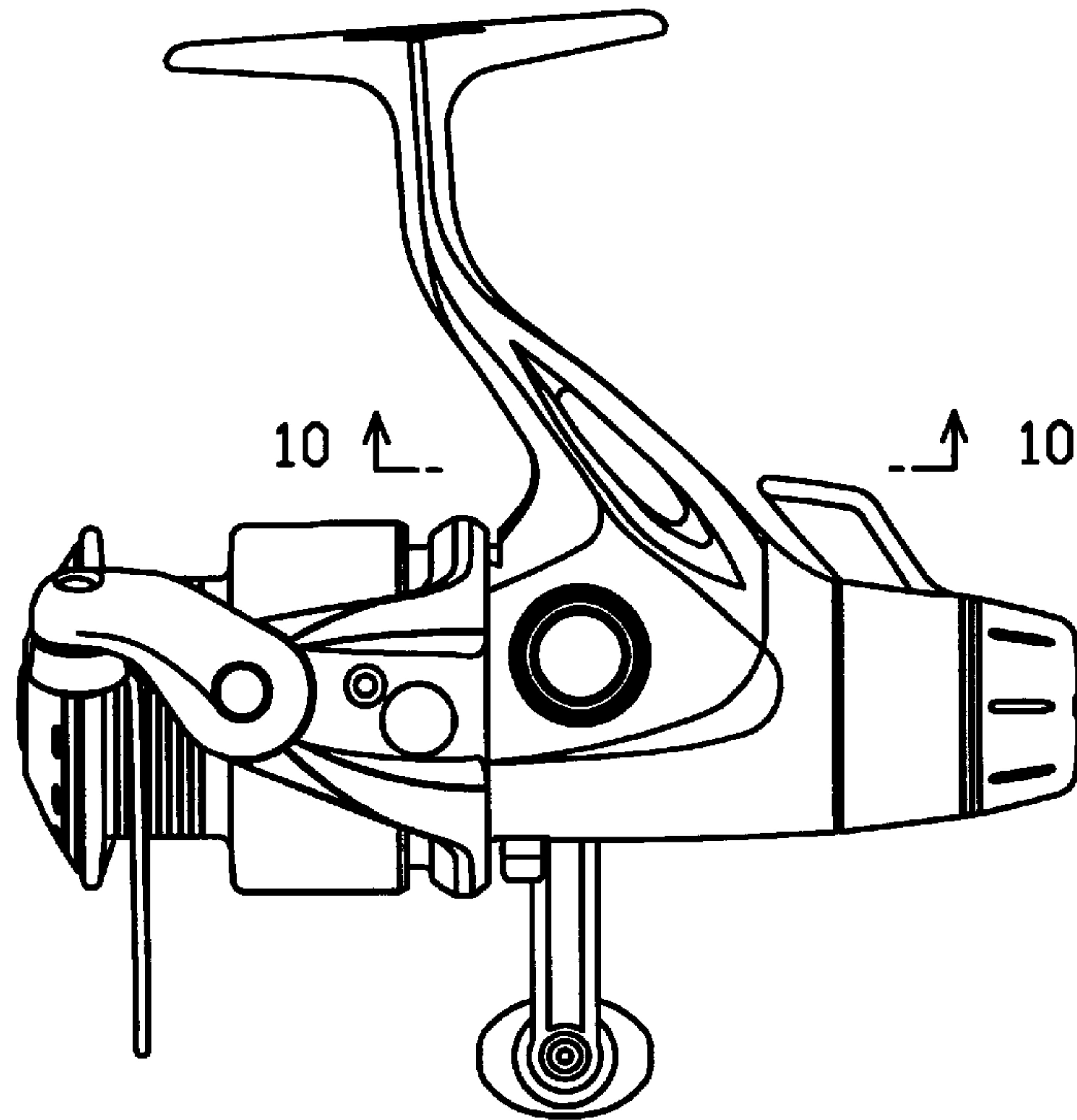


FIGURE 2

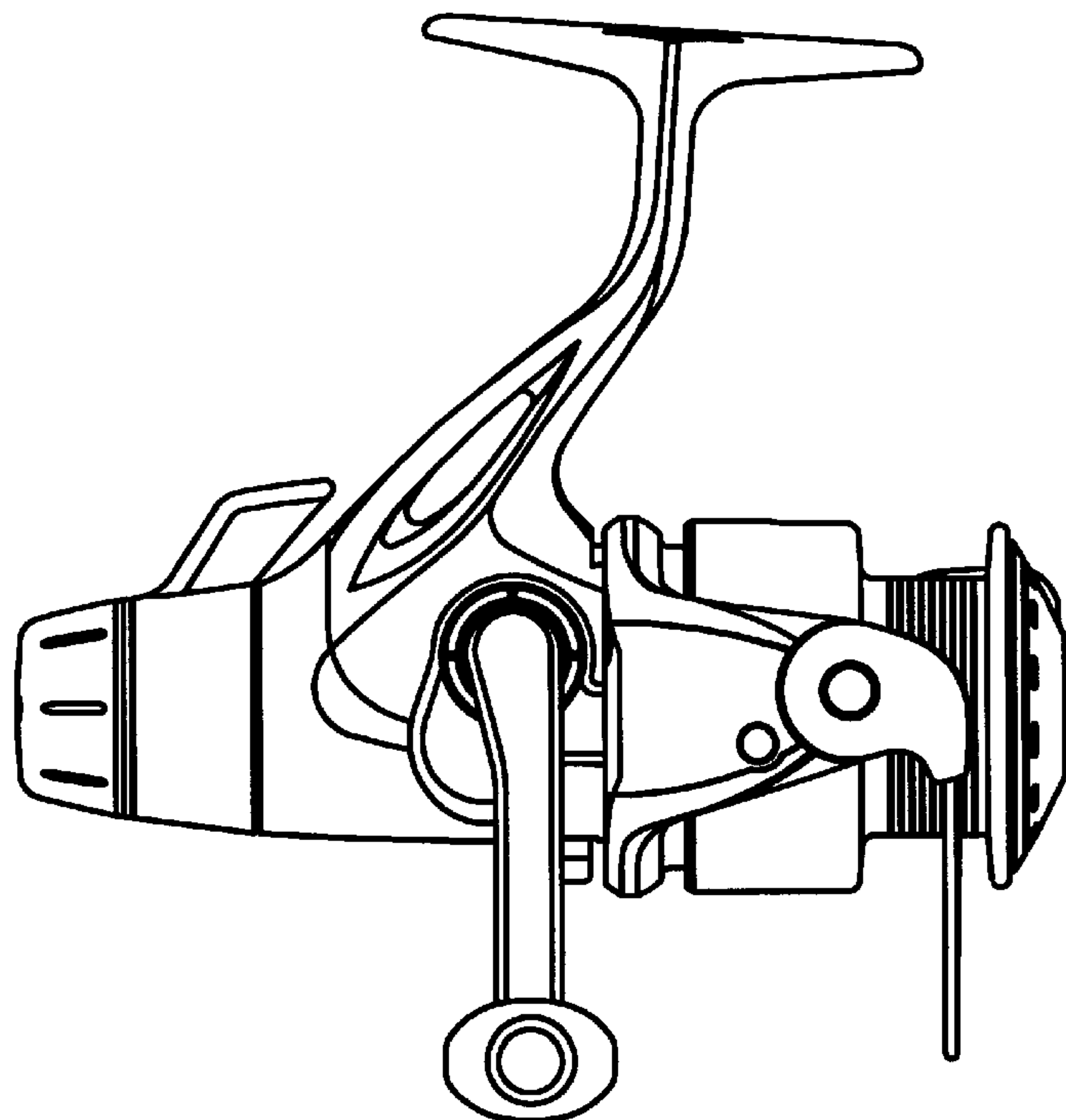


FIGURE 3

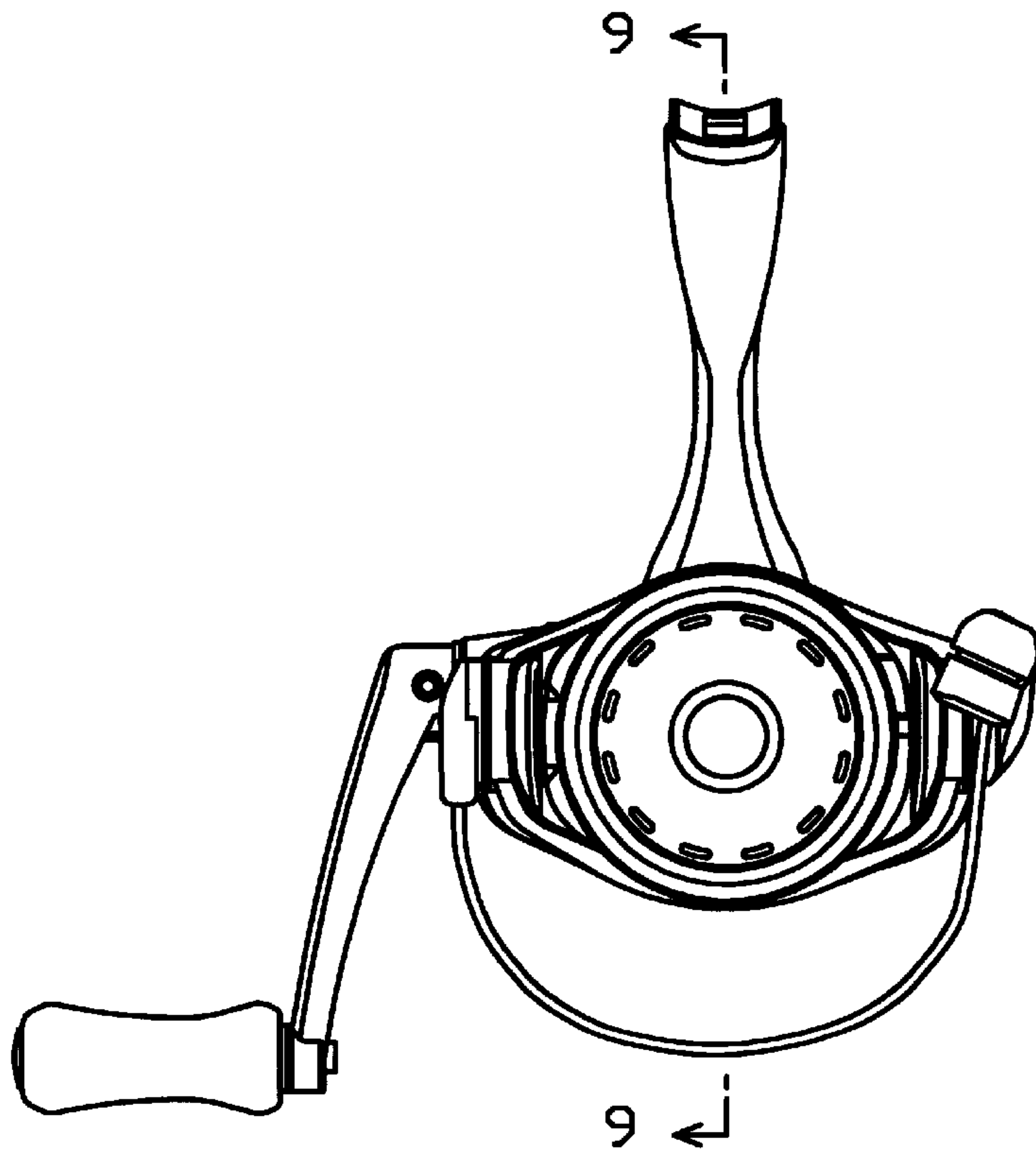


FIGURE 4

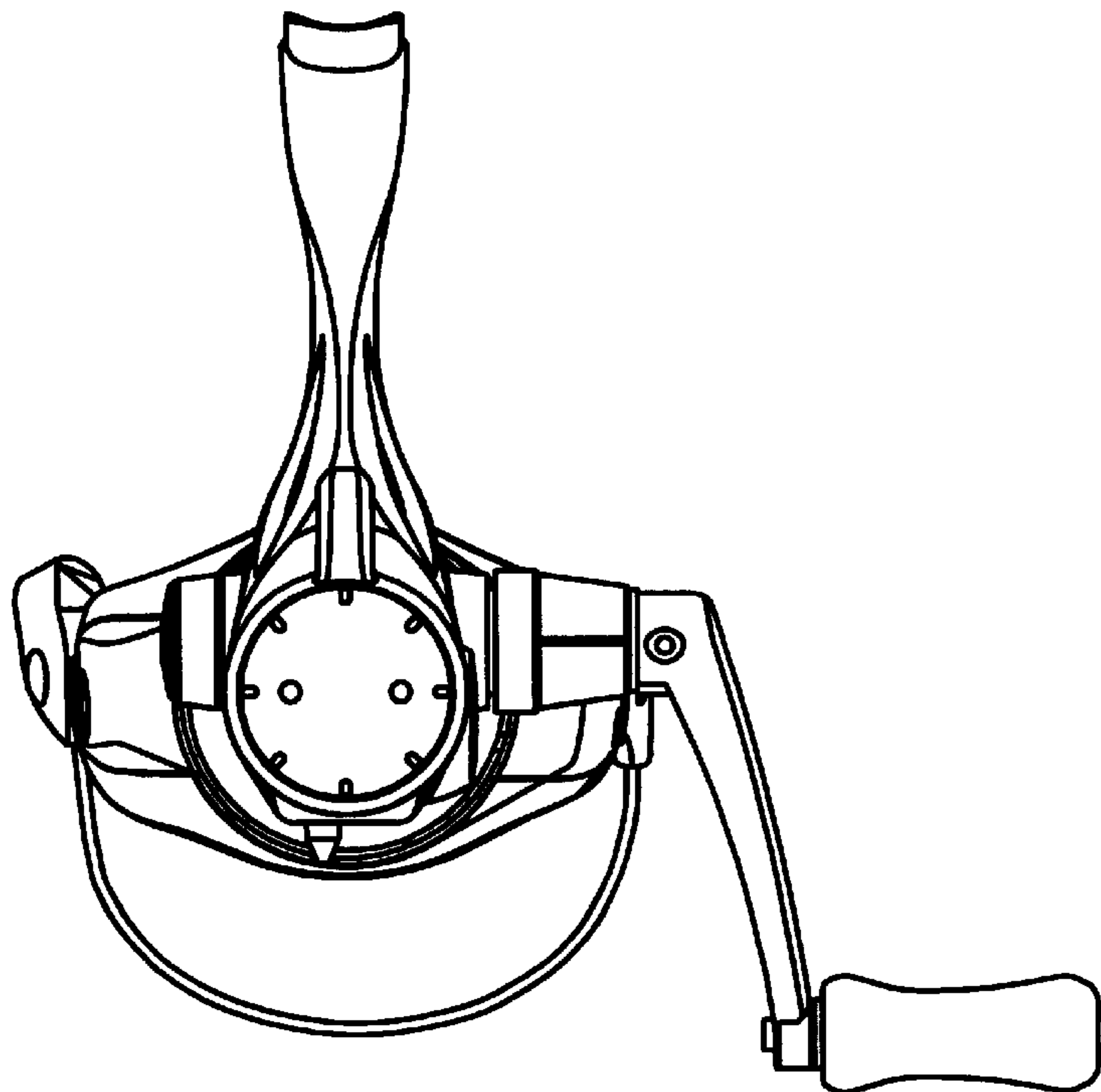


FIGURE 5

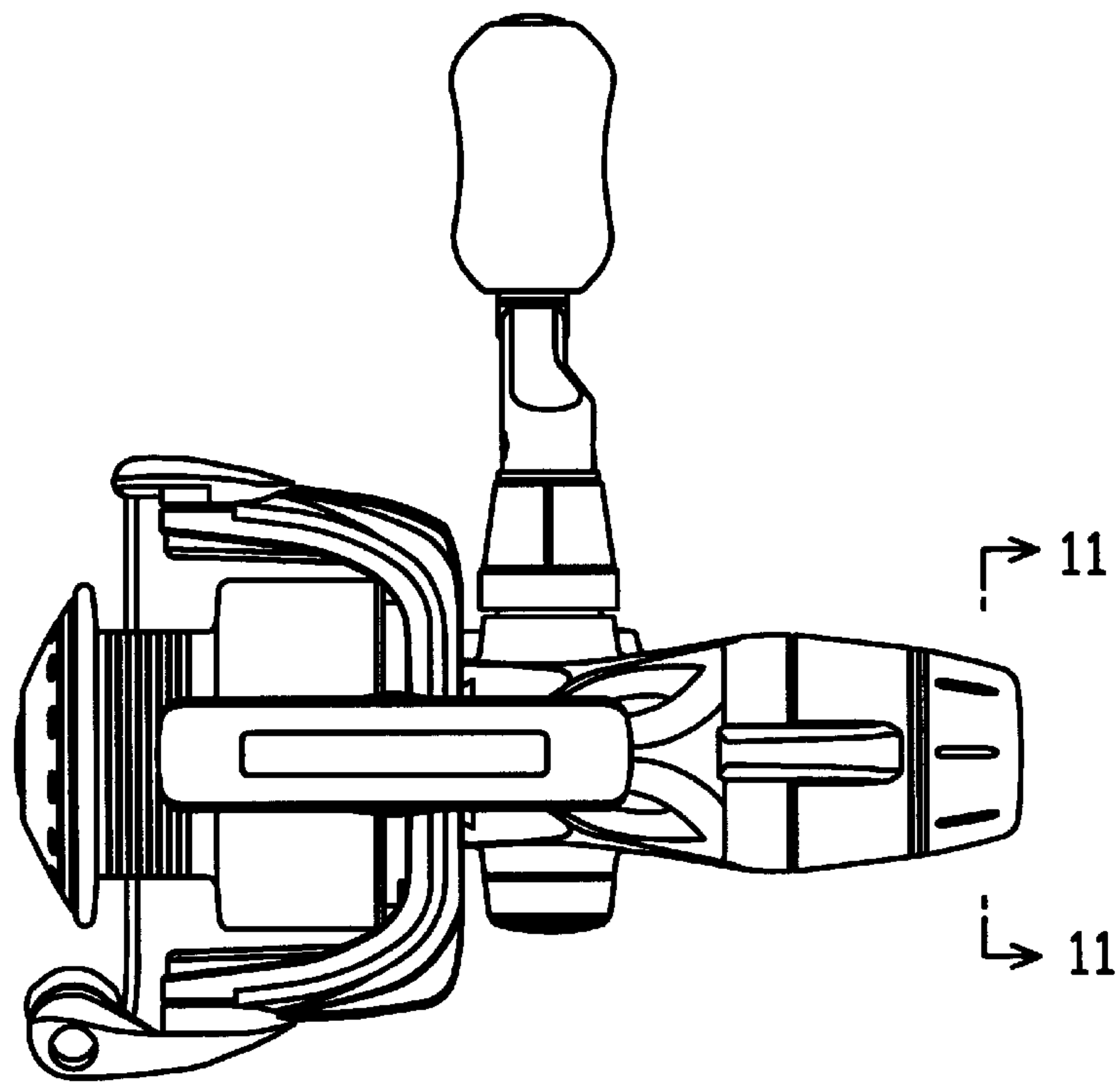


FIGURE 6

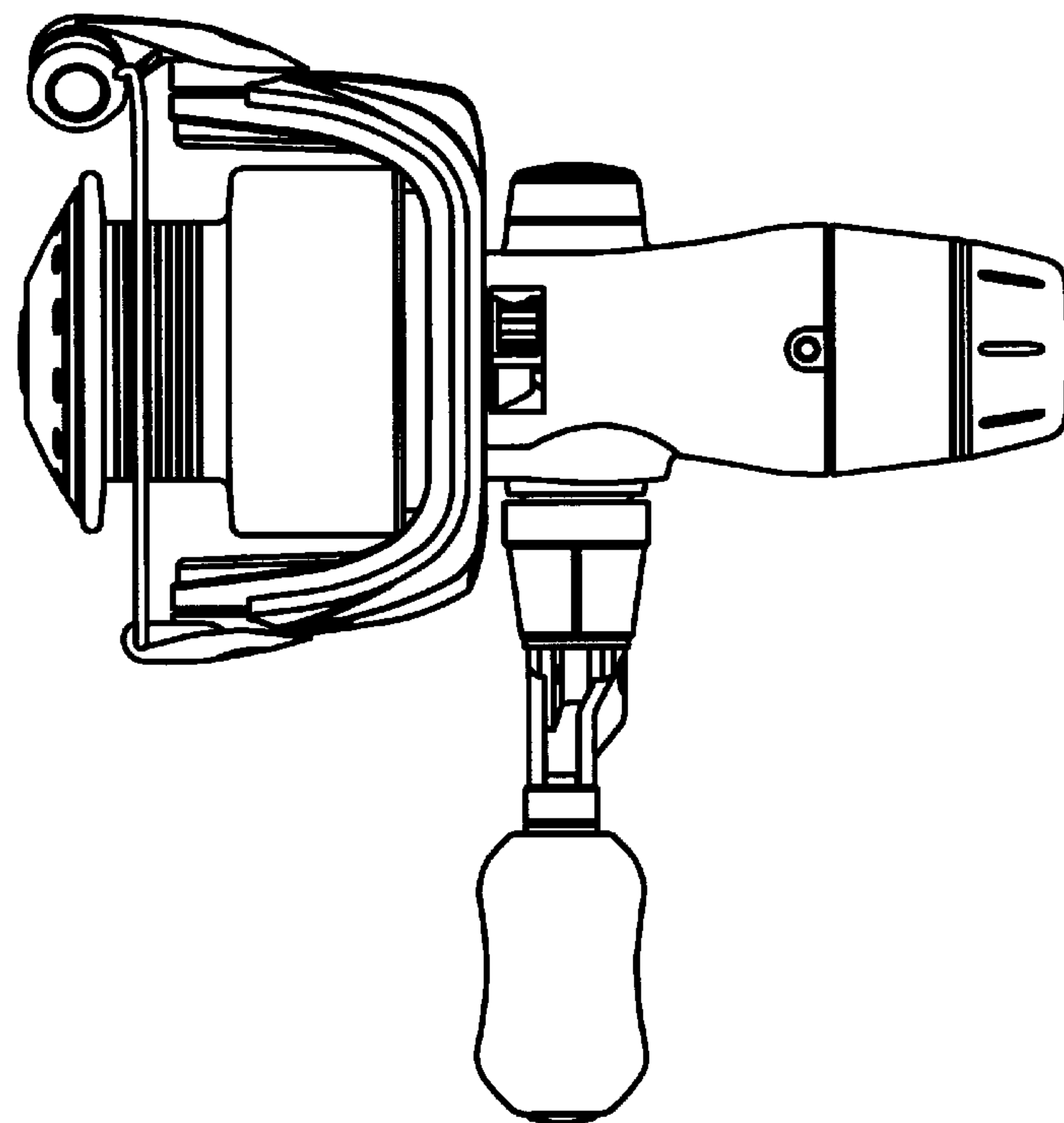


FIGURE 7

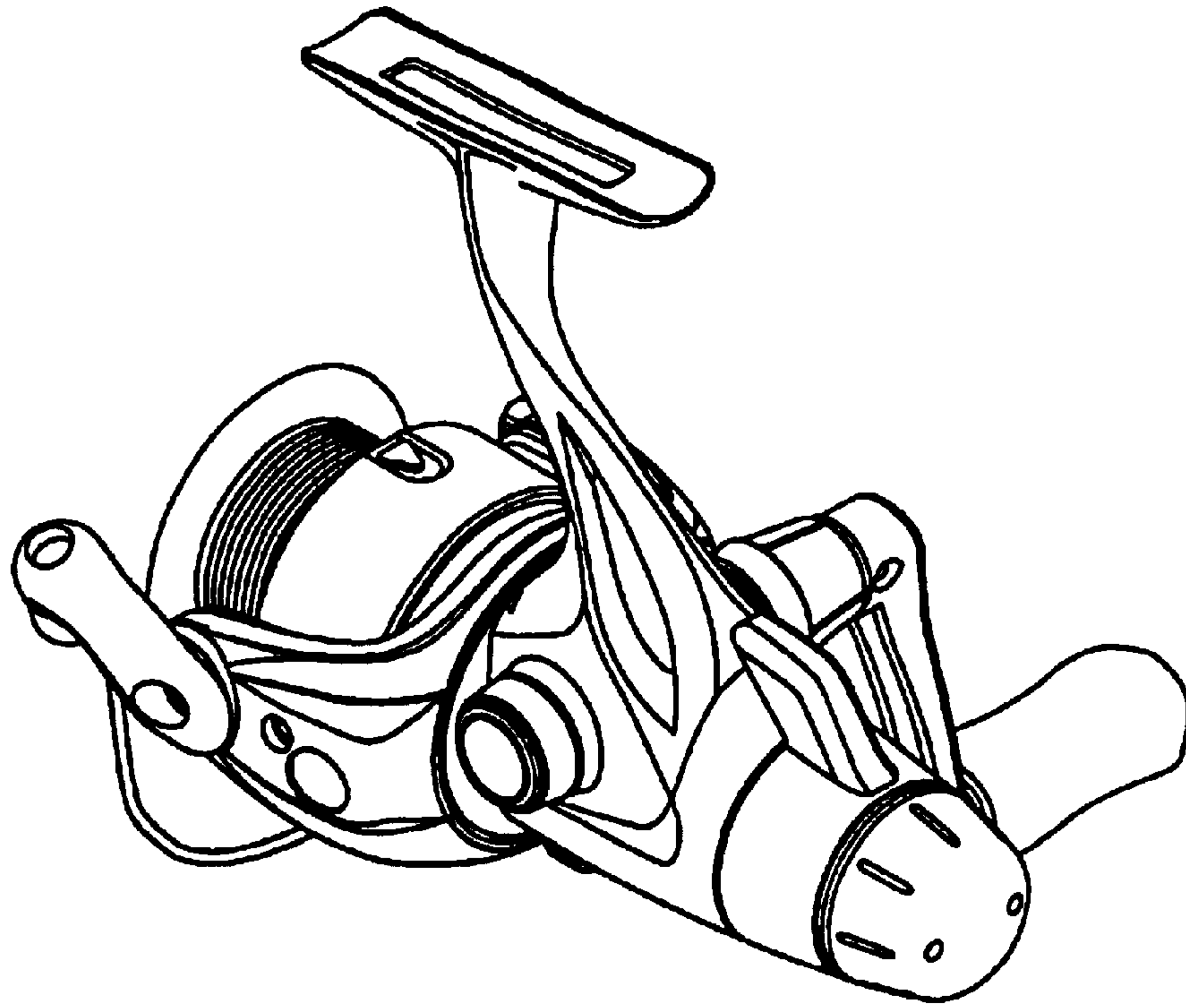


FIGURE 8

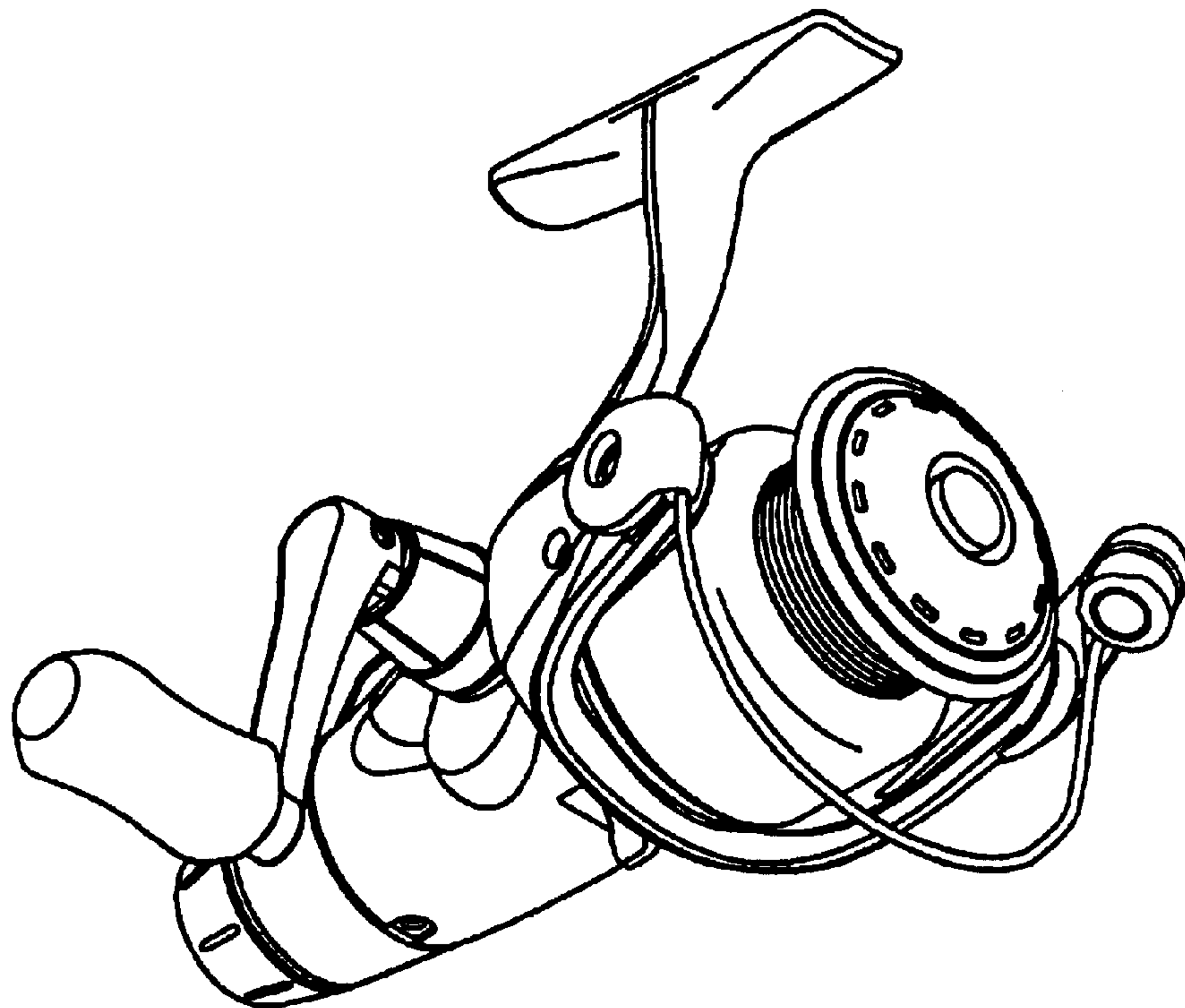


FIGURE 9

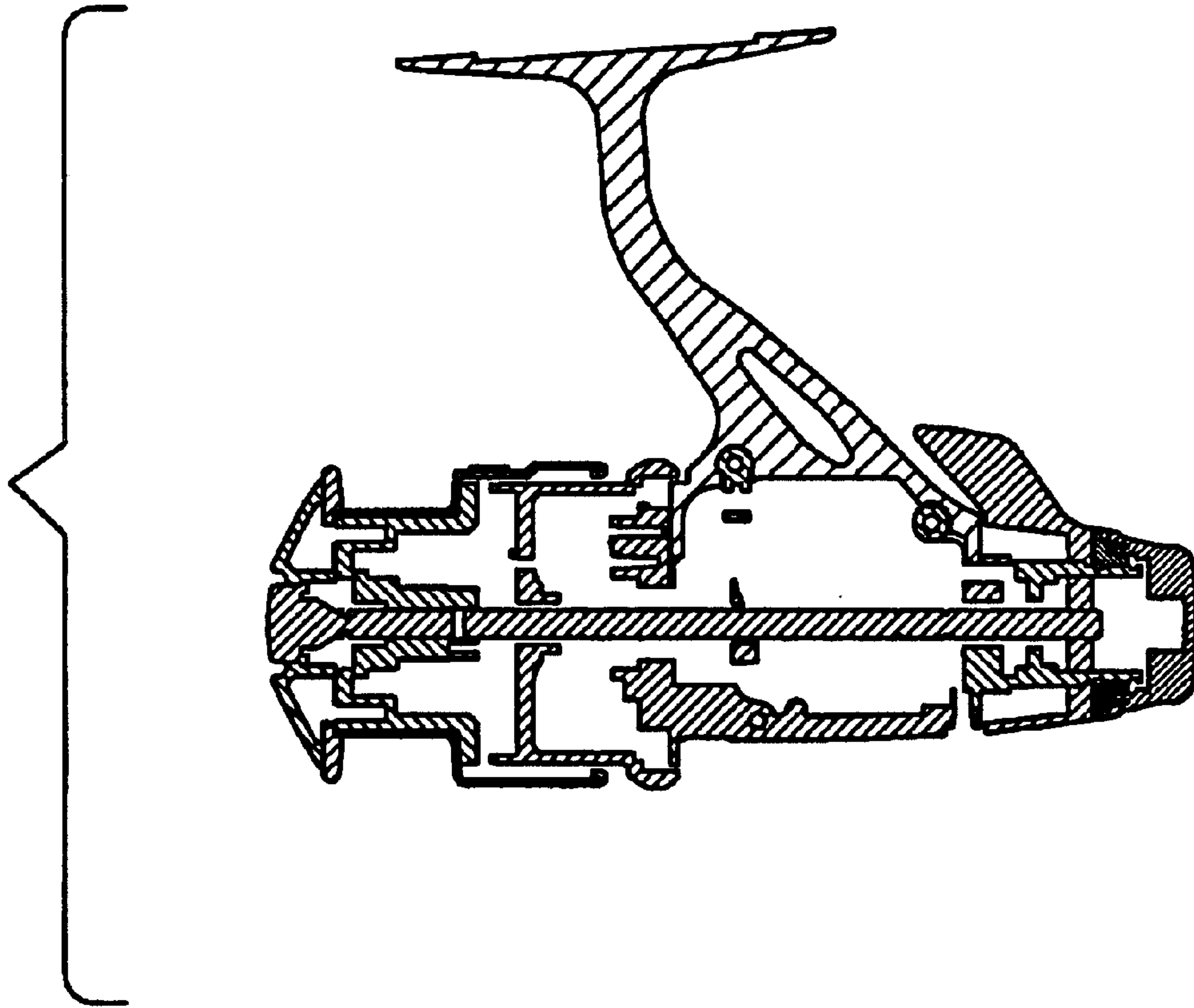


FIGURE 10

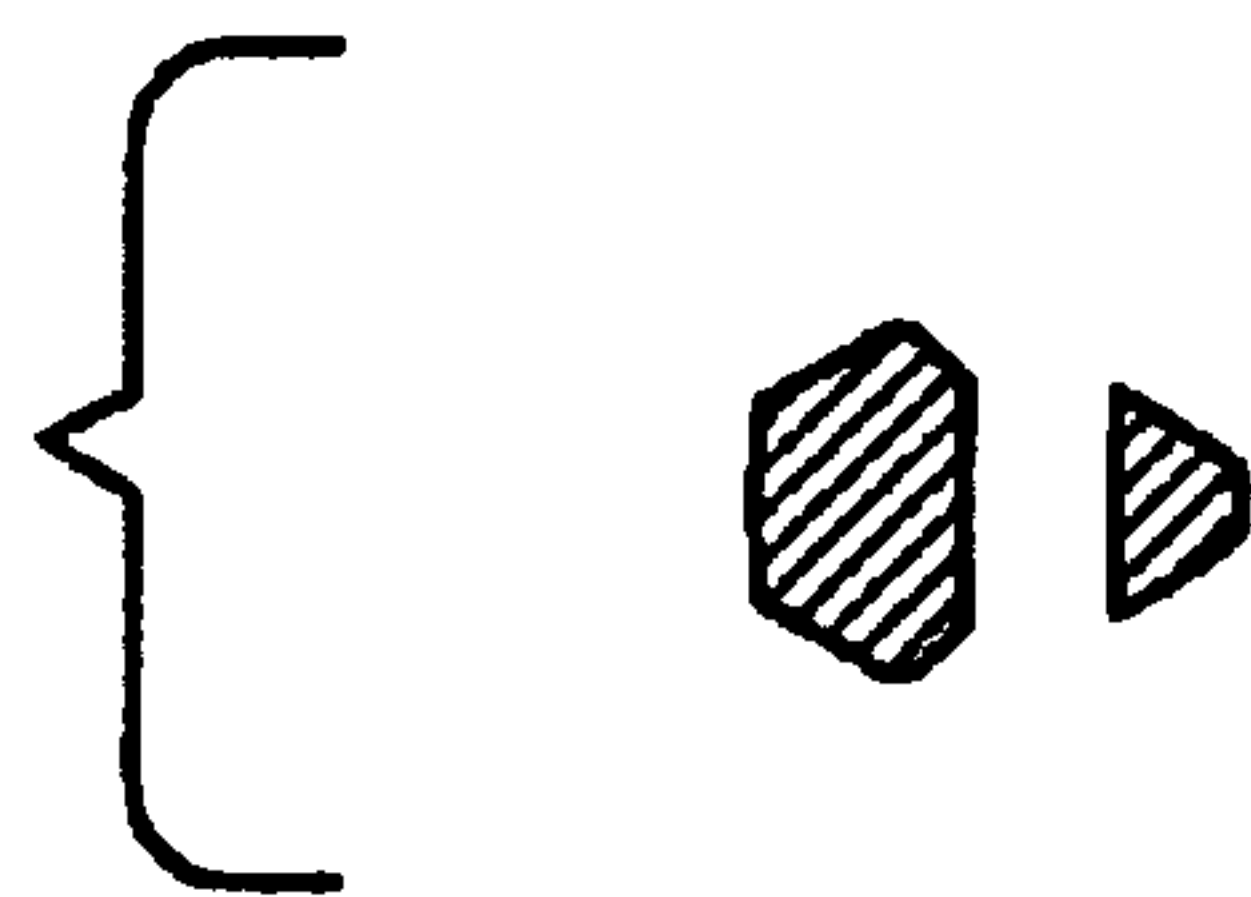


FIGURE 11

