

US00D500346S

(12) **United States Design Patent** (10) **Patent No.:** **US D500,346 S**
Glover (45) **Date of Patent:** **** Dec. 28, 2004**

(54) **TOY VEHICLE PLATFORM**
(75) Inventor: **Donald R. Glover**, Mahtomedi, MN (US)
(73) Assignee: **The Prophet Corp.**, Owatonna, MN (US)
(**) Term: **14 Years**
(21) Appl. No.: **29/179,700**
(22) Filed: **Apr. 11, 2003**

Related U.S. Application Data

(63) Continuation-in-part of application No. 09/863,092, filed on May 22, 2001, now Pat. No. 6,776,427.
(51) **LOC (7) Cl.** **21-01**
(52) **U.S. Cl.** **D21/419; D21/562; D21/765; D21/760**
(58) **Field of Search** **D21/419-435, D21/533, 760, 765, 769, 771, 540-541, 561-562; D34/23; D12/38, 107, 110-112; 446/410, 447, 455, 467, 427, 466, 470; 104/DIG. 1; 105/1.5, 29.2; 280/87.01, 828, 87.021, 87.041, 87.042, 87.05, 18.1, 32.6, 8-9, 809, 24, 408, 47.11, 47.34, 30, 43.24; 180/181, 216, 219; 211/175**

(56) **References Cited**

U.S. PATENT DOCUMENTS

D30,157 S * 2/1899 Kingsbury D21/562
D31,374 S * 8/1899 Harris D21/562
1,052,722 A 2/1913 Hegel
1,267,050 A 5/1918 Brigel
1,510,585 A 10/1924 Cushing, Sr. et al.
1,607,771 A 11/1926 Miller
1,678,785 A * 7/1928 Pfaffenberger 446/470
1,713,966 A * 5/1929 Ives 104/DIG. 1
2,219,905 A 10/1940 Pickman
2,246,628 A 6/1941 Heckman
2,288,568 A 6/1942 Holmes
3,197,227 A 7/1965 Anselmo
3,339,939 A 9/1967 Bowers

3,374,000 A 3/1968 Wetzel
3,604,722 A 9/1971 Boley
3,613,307 A * 10/1971 Daynes et al. 446/466
3,633,774 A 1/1972 Lee
3,705,730 A 12/1972 Bergsland
3,822,069 A 7/1974 Hoff
3,870,334 A 3/1975 Cole
3,921,239 A 11/1975 Sovia et al.
3,944,258 A 3/1976 Christensen
D241,761 S * 10/1976 Daenen D21/562
4,002,352 A 1/1977 Hager
4,129,315 A 12/1978 McCallum
4,203,609 A 5/1980 Mitchell et al.
D266,100 S 9/1982 Miller
5,052,703 A 10/1991 Bertrand
5,106,109 A 4/1992 Tattersall et al.
D367,140 S 2/1996 Reese
5,524,915 A 6/1996 Liu
5,527,051 A 6/1996 Plaza
5,551,715 A 9/1996 Pickard
5,810,376 A 9/1998 Matheny
5,863,053 A 1/1999 Berry
5,873,727 A * 2/1999 Barlow 446/467
5,947,489 A 9/1999 Tucker
5,947,495 A 9/1999 Null et al.
5,947,794 A * 9/1999 McGrath 446/467

(List continued on next page.)

Primary Examiner—Raphael Barkai
(74) *Attorney, Agent, or Firm*—Merchant & Gould P.C.

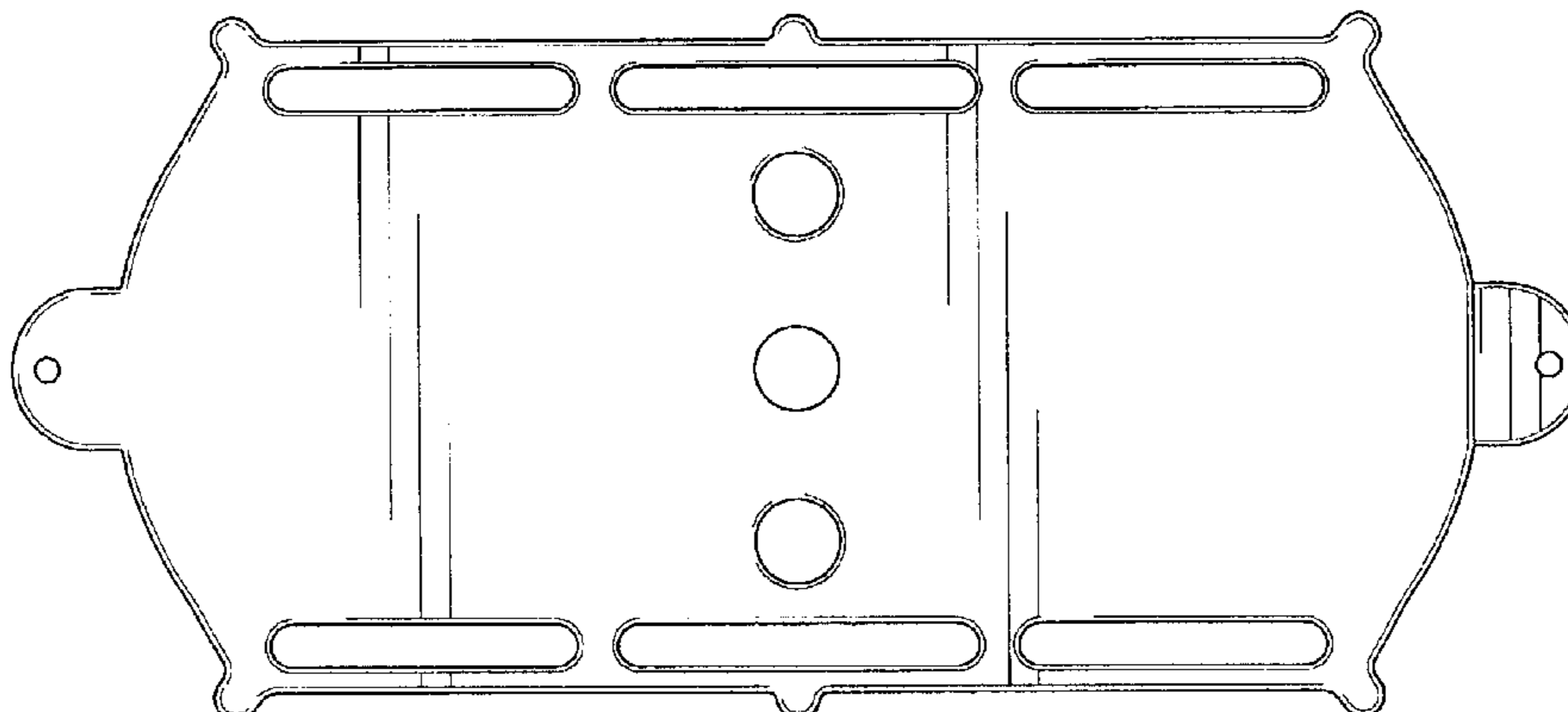
(57) **CLAIM**

The ornamental design for the toy vehicle platform, as shown and described.

DESCRIPTION

FIG. 1 is a top view of a toy vehicle platform;
FIG. 2 is a bottom view of the toy vehicle platform of FIG. 1;
FIG. 3 is a left side view of the toy vehicle platform of FIG. 1; the right side view being a mirror image;
FIG. 4 is a front view of the toy vehicle platform of FIG. 1; and,
FIG. 5 is a back view of the toy vehicle platform of FIG. 1.

1 Claim, 2 Drawing Sheets



US D500,346 S

Page 2

U.S. PATENT DOCUMENTS

5,957,482 A 9/1999 Shorter
5,992,865 A 11/1999 Vargas
6,095,348 A 8/2000 Karashima
6,199,880 B1 3/2001 Favorito et al.
6,213,484 B1 4/2001 Rohner
6,276,700 B1 8/2001 Way et al.

D452,886 S * 1/2002 Wang et al. D21/423
6,345,678 B1 * 2/2002 Chang 180/181
D457,574 S * 5/2002 Chen D21/423
6,419,248 B1 7/2002 Kay
6,592,427 B1 * 7/2003 Wilhelm et al. 105/1.5

* cited by examiner

FIG.1

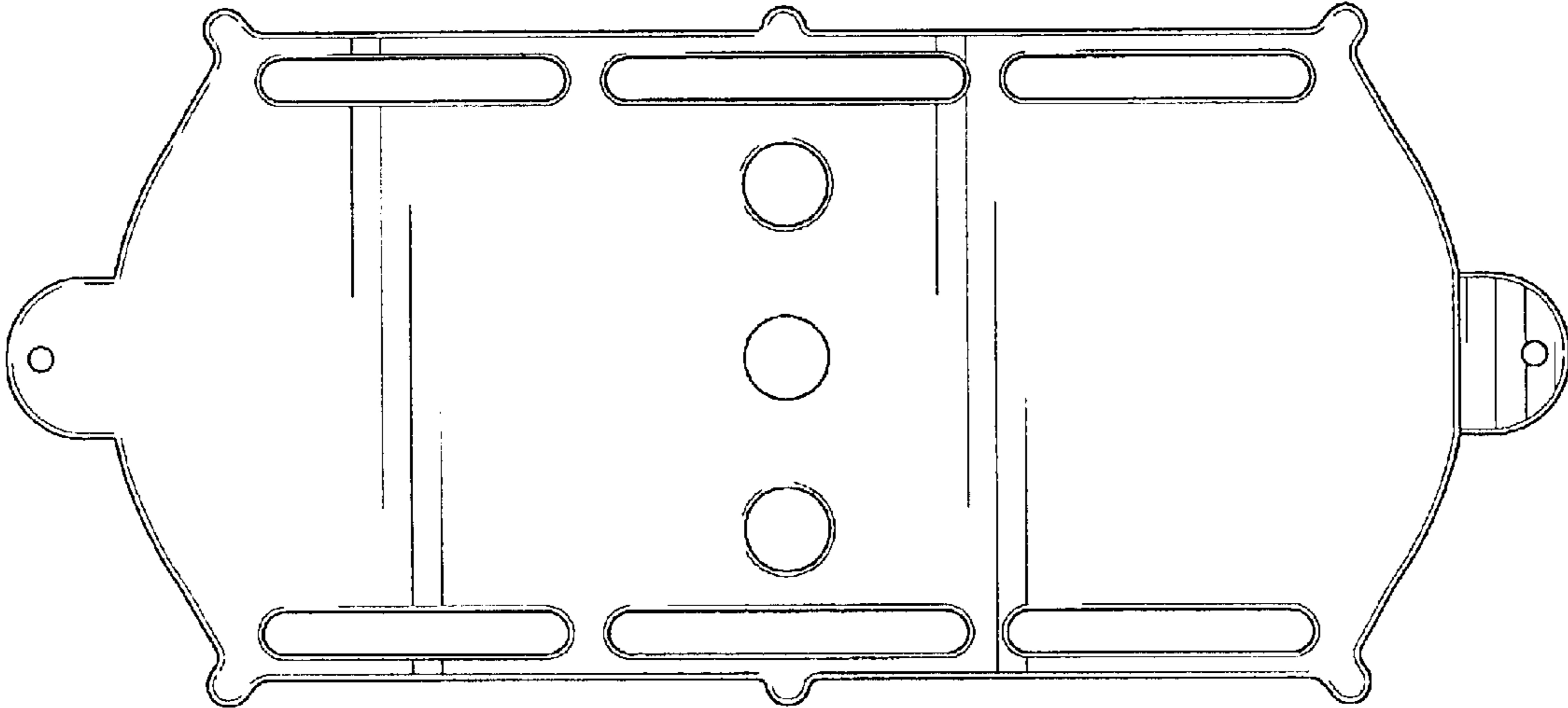


FIG.2

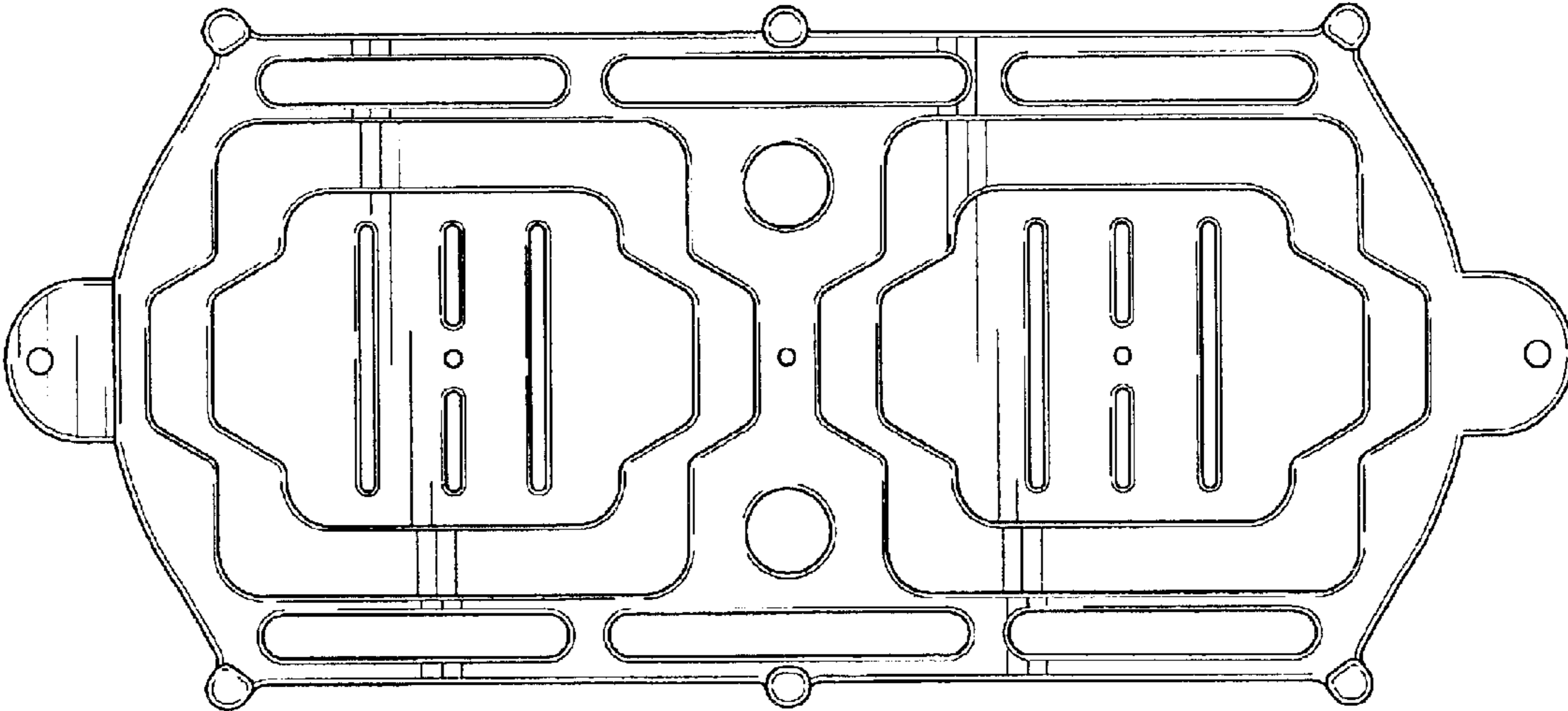


FIG.3



FIG.4

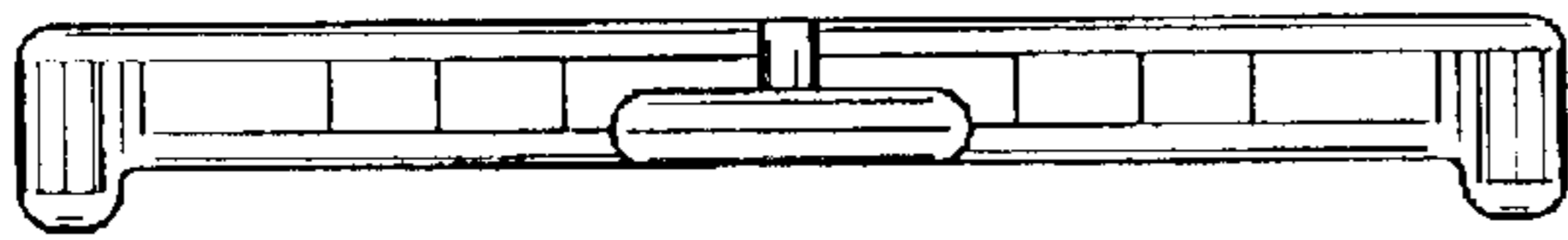


FIG.5

