

US00D500342S

(12) **United States Design Patent** (10) **Patent No.:** **US D500,342 S**
Stewart et al. (45) **Date of Patent:** **** Dec. 28, 2004**

(54) **MEDICAL LABEL SHEET**
(75) Inventors: **Thomas R. Stewart**, Brentwood, TN (US); **Brian D. Moyer**, Brentwood, TN (US)
(73) Assignee: **PHG Technologies**, Brentwood, TN (US)
(**) Term: **14 Years**
(21) Appl. No.: **29/204,574**
(22) Filed: **Apr. 30, 2004**

Related U.S. Application Data

(63) Continuation-in-part of application No. 09/952,425, filed on Sep. 14, 2001.
(51) **LOC (7) Cl.** **19-08**
(52) **U.S. Cl.** **D20/27**
(58) **Field of Search** D20/22, 27, 99;
D19/1-2; 40/360, 630, 633, 638, 675; 206/232,
459.5; 283/67, 75, 81, 101, 900; 428/42.3

5,653,472 A 8/1997 Huddleston et al.
5,673,944 A 10/1997 Walker et al.
D391,991 S * 3/1998 Conner D20/10
5,752,722 A 5/1998 Moore et al.
5,799,981 A * 9/1998 Tung et al. 283/56
5,967,559 A 10/1999 Abramowitz
5,979,941 A 11/1999 Mosher et al.
6,000,160 A * 12/1999 Riley 40/633
6,007,104 A 12/1999 Draper
6,016,618 A 1/2000 Attia et al.
6,036,231 A 3/2000 Foote et al.
D423,044 S * 4/2000 Burke et al. D19/1
6,067,739 A 5/2000 Riley
6,086,108 A 7/2000 Rosenberger
6,135,507 A 10/2000 Hamby et al.
6,140,936 A 10/2000 Armstrong
6,152,493 A 11/2000 Draper
6,167,679 B1 1/2001 Horton-Steidle et al.
D448,404 S * 9/2001 Hamilton et al. D19/1
6,364,366 B1 4/2002 Schwartz
6,403,188 B1 * 6/2002 Donahue 428/40.1
6,438,881 B1 * 8/2002 Riley 40/633
D471,933 S 3/2003 Hodsdon et al.
D473,264 S 4/2003 Sanford et al.
D476,031 S 6/2003 Hodsdon et al.
2001/0015553 A1 8/2001 Herreros Rodriguez
2001/0017817 A1 8/2001 De La Huerga

References Cited

U.S. PATENT DOCUMENTS

1,172,010 A 2/1916 Cooke
D127,317 S * 5/1941 Close D19/1
3,970,397 A 7/1976 Armstrong
4,191,402 A 3/1980 Michlin
4,314,415 A 2/1982 De Woskin
4,334,771 A 6/1982 Ryan, Jr.
4,637,635 A * 1/1987 Levine 283/101
4,876,131 A * 10/1989 Ashby et al. 428/42.3
D312,654 S * 12/1990 Giordano D19/1
5,026,084 A 6/1991 Pasfield
5,048,870 A 9/1991 Mangini et al.
D345,584 S * 3/1994 Gollon D20/22
5,328,208 A 7/1994 Garrison
5,370,420 A * 12/1994 Khatib et al. 283/81
5,401,110 A 3/1995 Neeley
5,433,546 A 7/1995 Kershaw

* cited by examiner

Primary Examiner—Robert M. Spear
(74) *Attorney, Agent, or Firm*—Wyatt, Tarrant & Combs, LLP

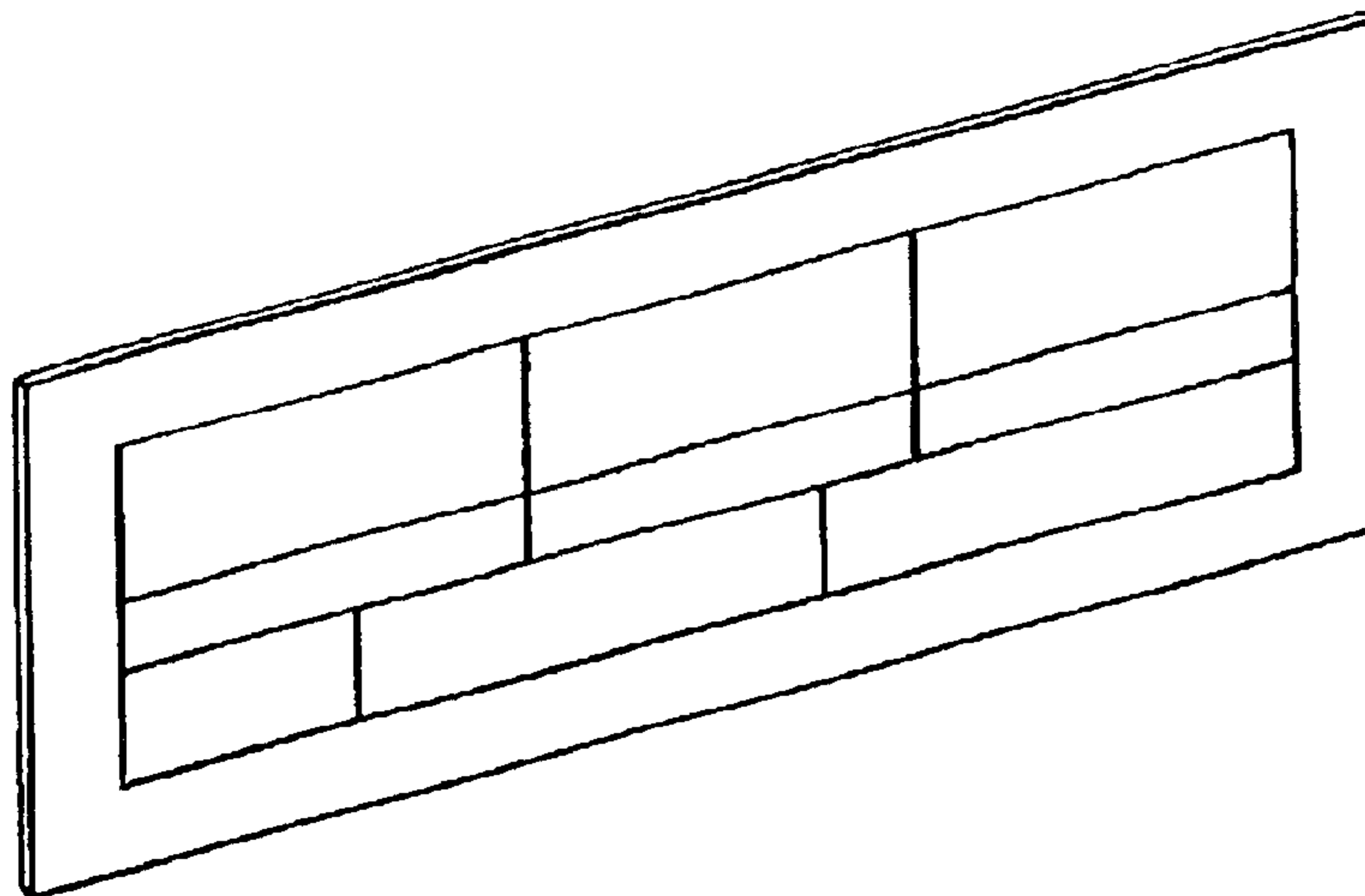
(57) **CLAIM**

The ornamental design for a medical label sheet, as shown.

DESCRIPTION

FIG. 1 is a front view of medical label sheet of the present invention; and,
FIG. 2 is a perspective view of the medical label sheet of FIG. 1.

1 Claim, 1 Drawing Sheet



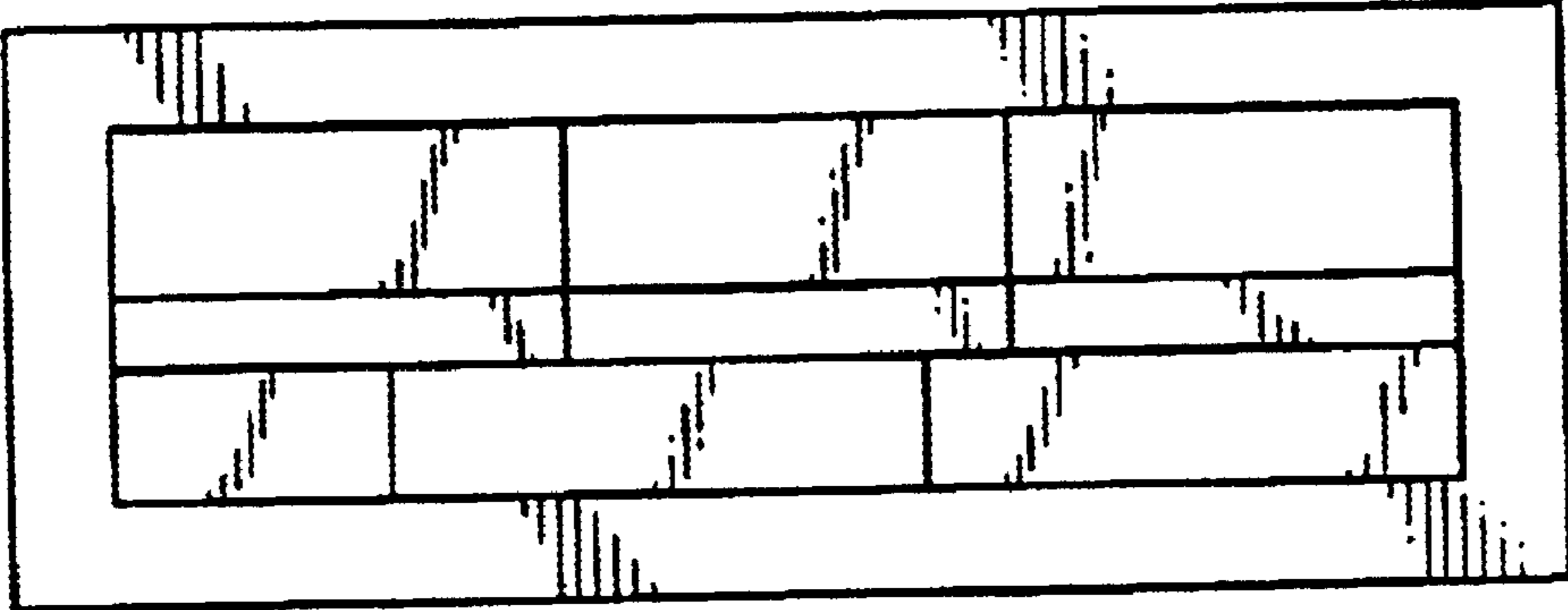


FIG. 1

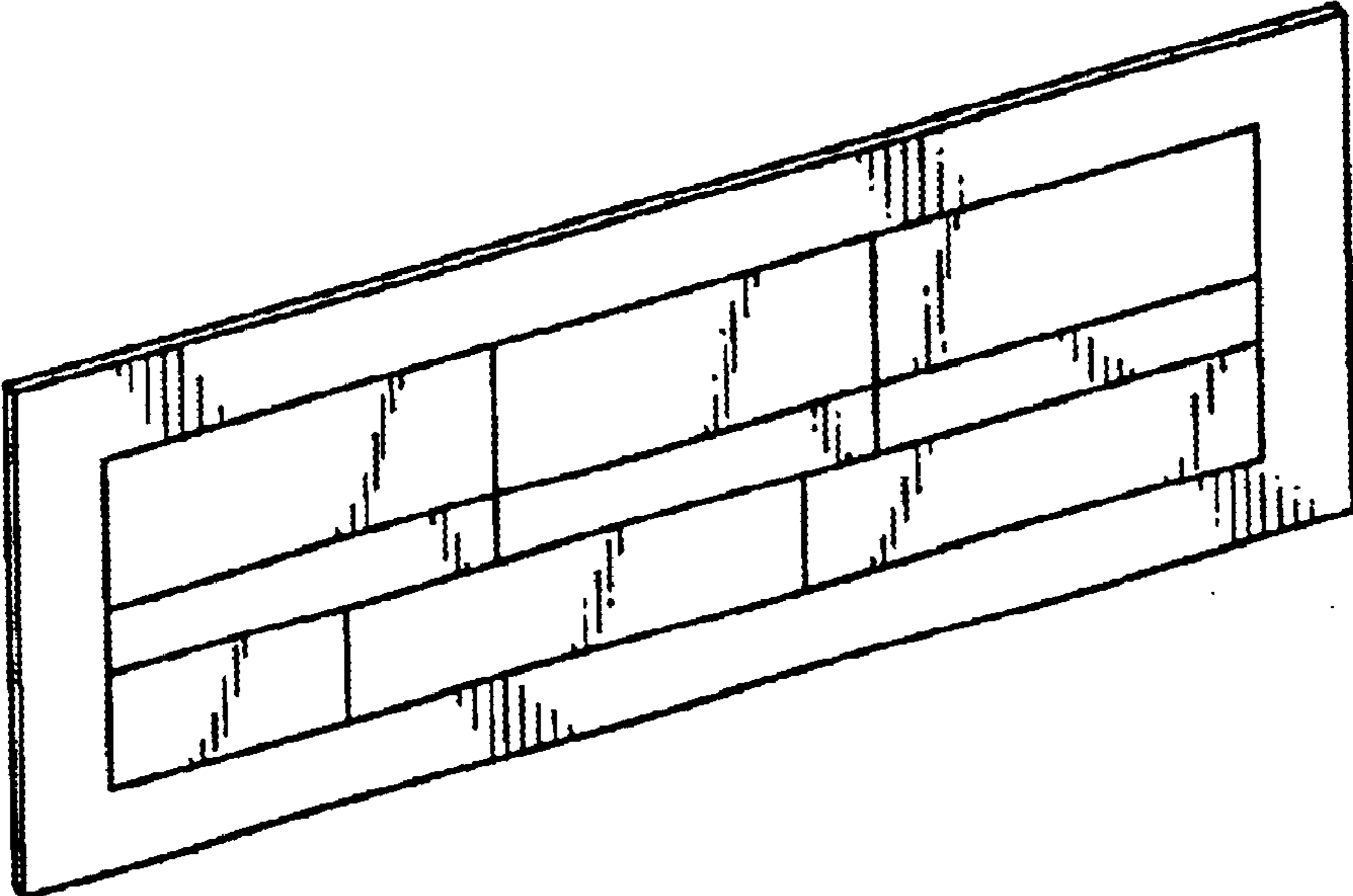


FIG. 2