



US00D500341S

(12) **United States Design Patent**
Bhavnani

(10) **Patent No.:** **US D500,341 S**
(45) **Date of Patent:** **** Dec. 28, 2004**

(54) **MIRRORED DOCUMENT HOLDER**

(75) Inventor: **Dilip Bhavnani**, Beverly Hills, CA
(US)

(73) Assignee: **Sun Coast Merchandise Corp.**,
Commerce, CA (US)

(**) Term: **14 Years**

(21) Appl. No.: **29/196,547**

(22) Filed: **Dec. 29, 2003**

(51) **LOC (7) Cl.** **19-02**

(52) **U.S. Cl.** **D19/88; D19/90; D6/300;**
D14/439; D14/448

(58) **Field of Search** D14/432, 439,
D14/448; D19/65, 75, 78, 86, 88, 90, 91,
99, 100; D6/300-314; 248/441.1, 442.2,
451-453, 447, 447.1, 447.2, 450, 458, 460,
462, 917, 918; 24/67 R, 67.1-67.11

(56) **References Cited**

U.S. PATENT DOCUMENTS

D186,370 S	*	10/1959	Russell	D19/65
D284,483 S	*	7/1986	Yang	D19/91
D345,655 S	*	4/1994	Freebairn	D6/312
5,549,268 A	*	8/1996	Hopwood	248/442.2
D378,159 S	*	2/1997	Mulkey	D6/300 X
D396,248 S	*	7/1998	Nemeth	D19/88
D412,893 S	*	8/1999	Newman	D19/91 X

D445,798 S	*	7/2001	Moore	D14/439
D461,504 S	*	8/2002	Kagel	D19/90
D463,824 S	*	10/2002	Kan	D19/65
D465,524 S	*	11/2002	Nanao	D19/65
D469,811 S	*	2/2003	Costa	D19/88

* cited by examiner

Primary Examiner—Martie K. Holtje

(74) *Attorney, Agent, or Firm*—Brian Carpenter

(57) **CLAIM**

The ornamental design for a mirrored document holder, as shown and described.

DESCRIPTION

FIG. 1 is a front/right perspective view of a mirrored document holder;
 FIG. 2 is a front perspective view of the mirrored document holder of FIG. 1;
 FIG. 3 is a top perspective view of the mirrored document holder of FIG. 1;
 FIG. 4 is a bottom perspective view of the mirrored document holder of FIG. 1;
 FIG. 5 is a right side elevational view of the mirrored document holder of FIG. 1;
 FIG. 6 is a left side elevational view of the mirrored document holder of FIG. 1; and,
 FIG. 7 is a rear perspective view of the mirrored document holder of FIG. 1.

1 Claim, 3 Drawing Sheets

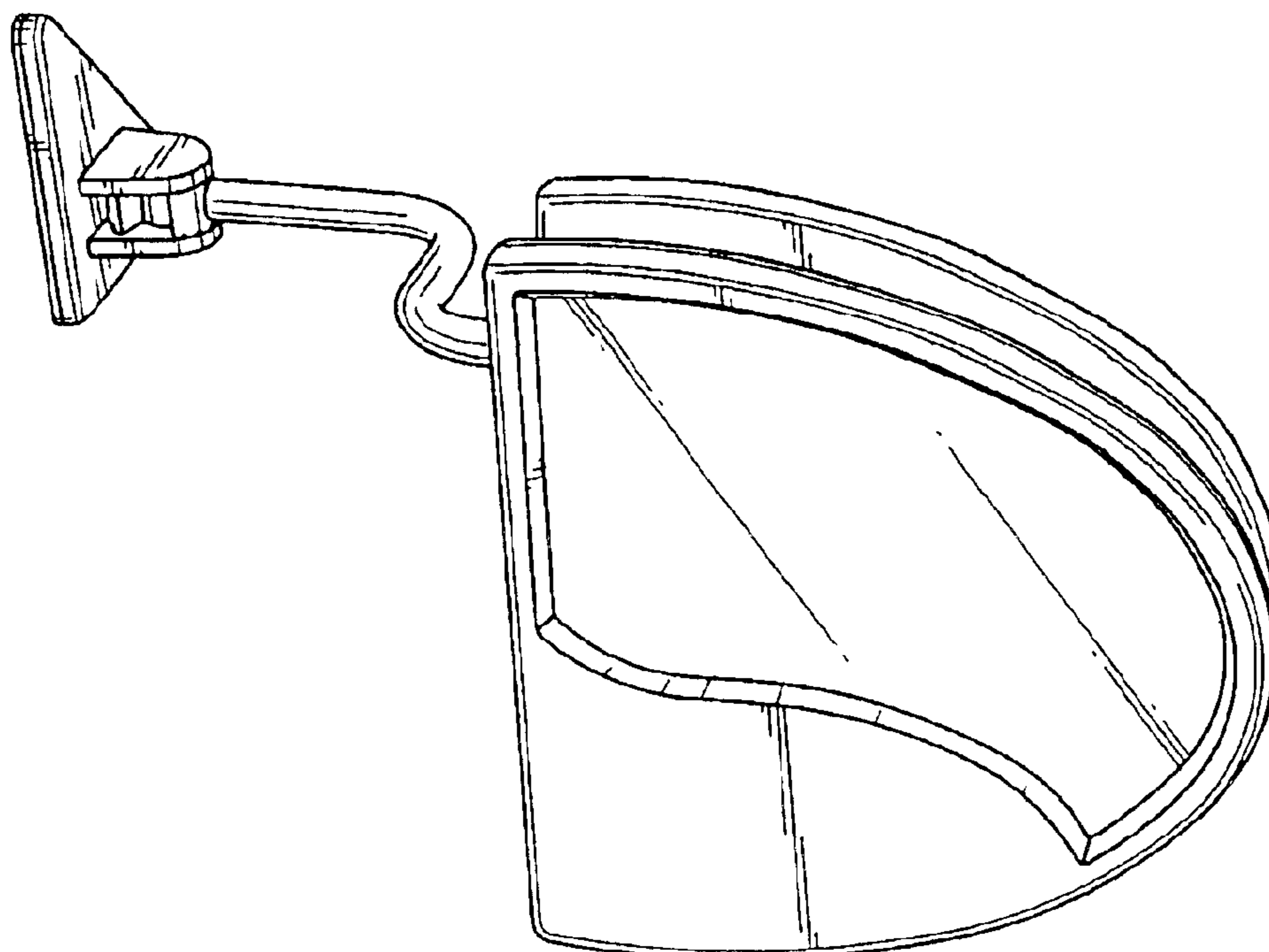


FIG. 1

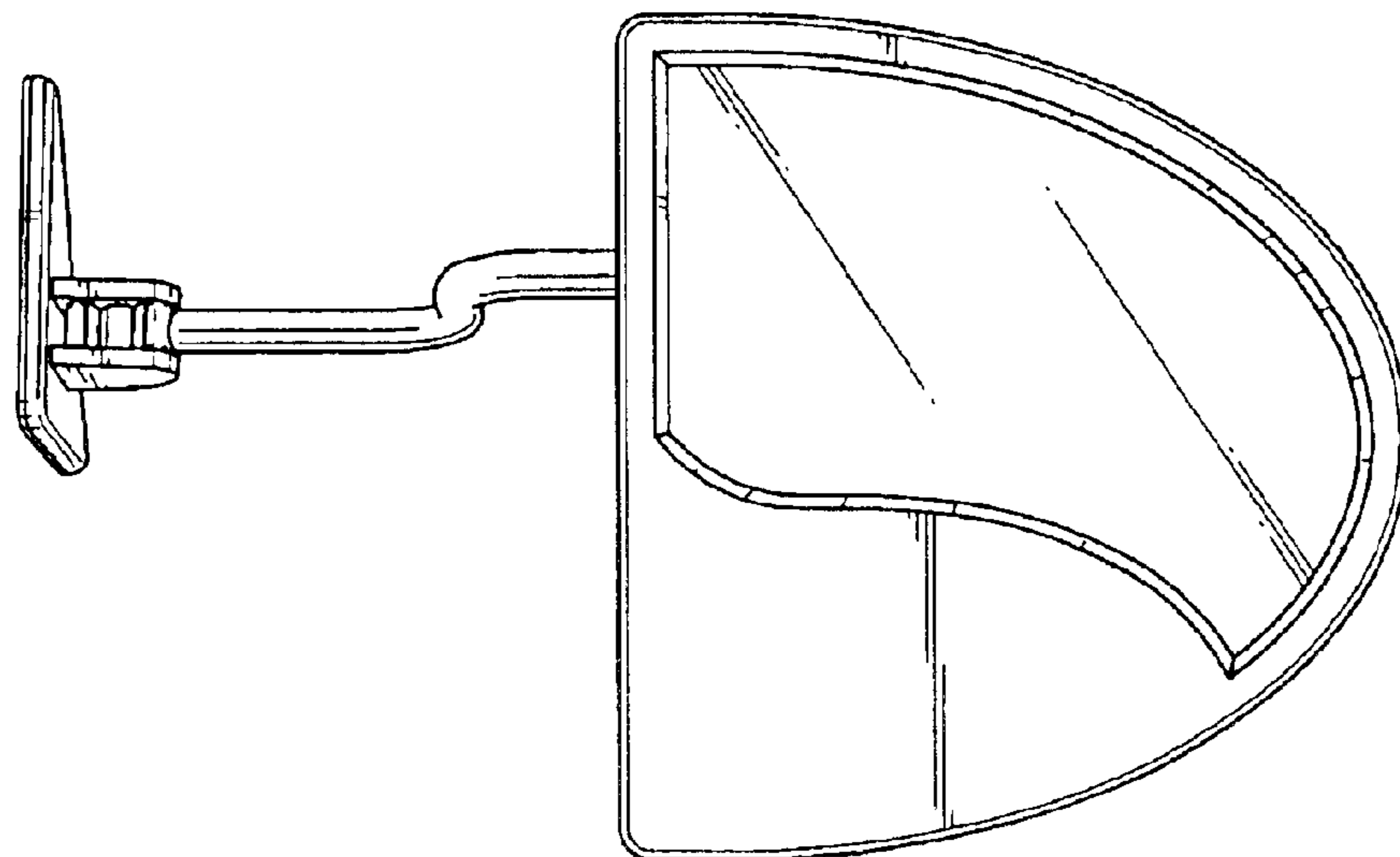
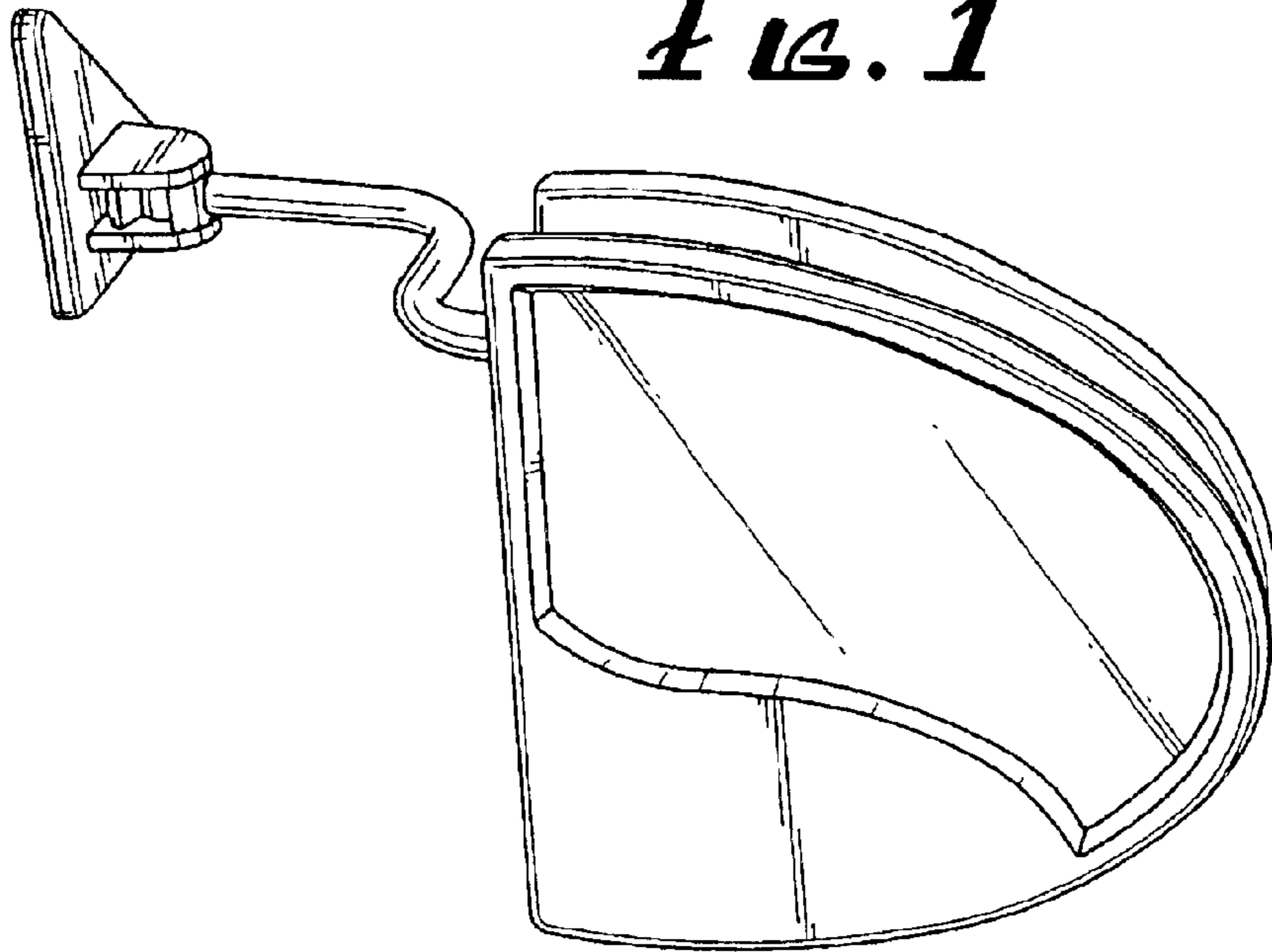


FIG. 2

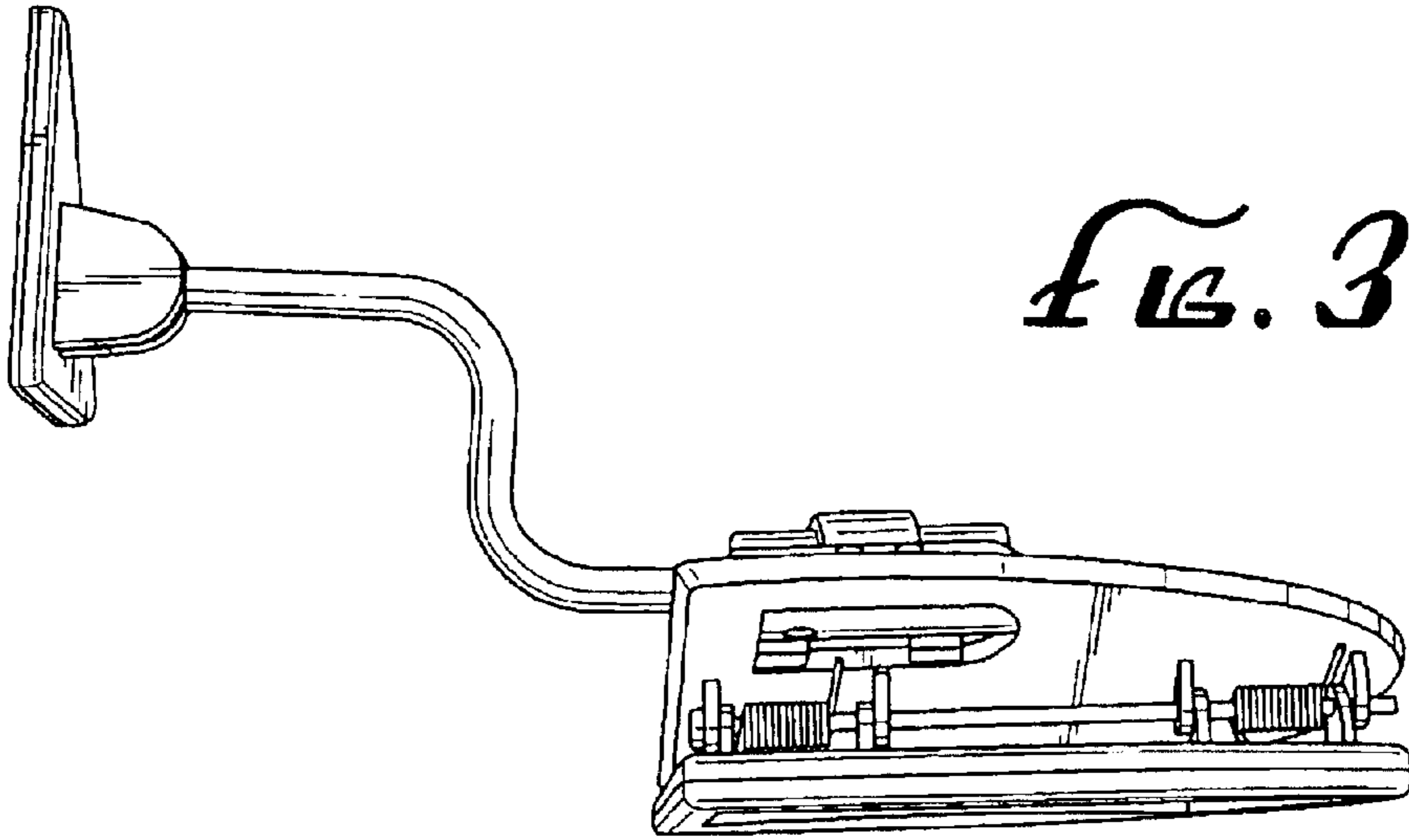


FIG. 3

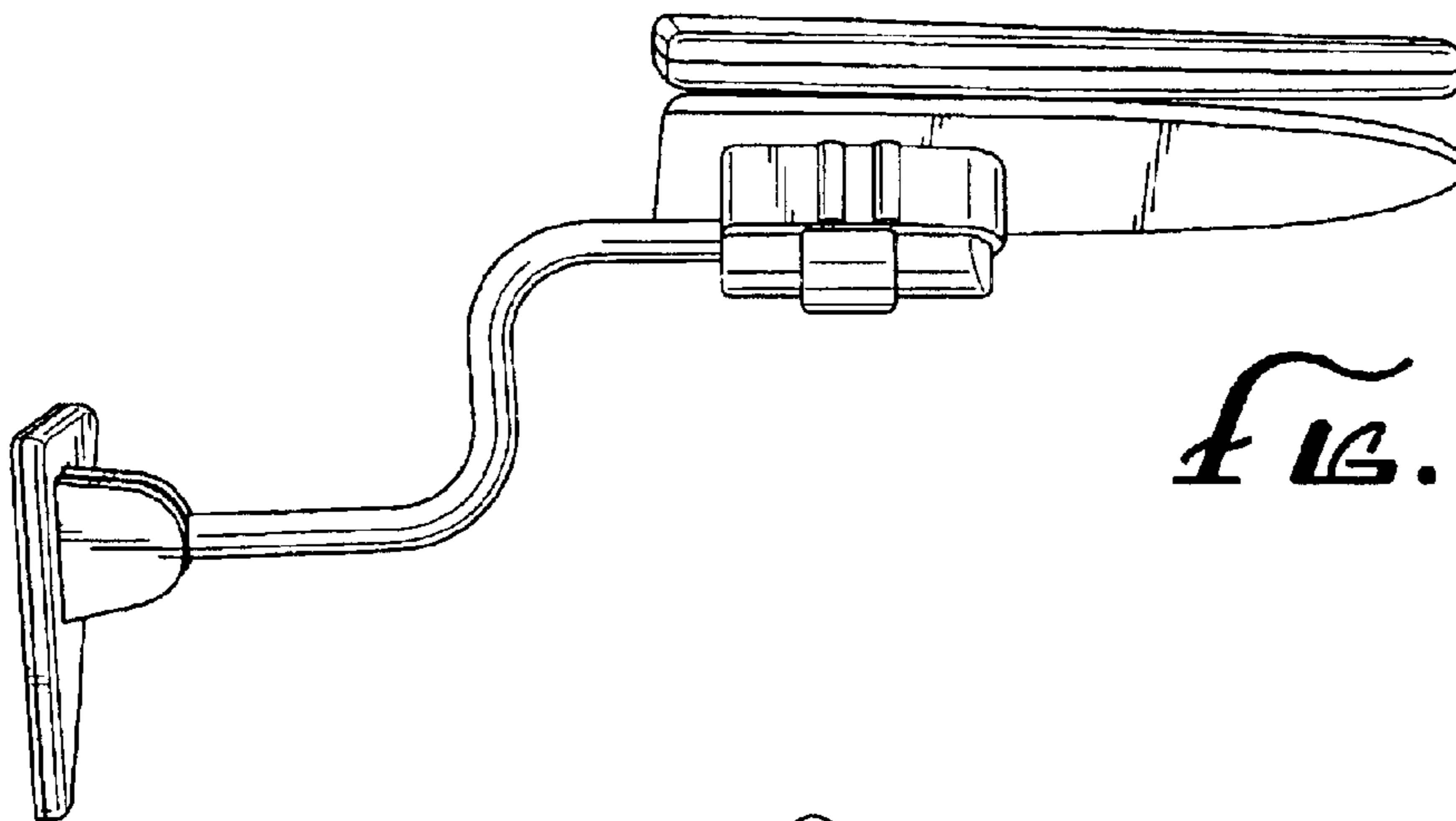


FIG. 4

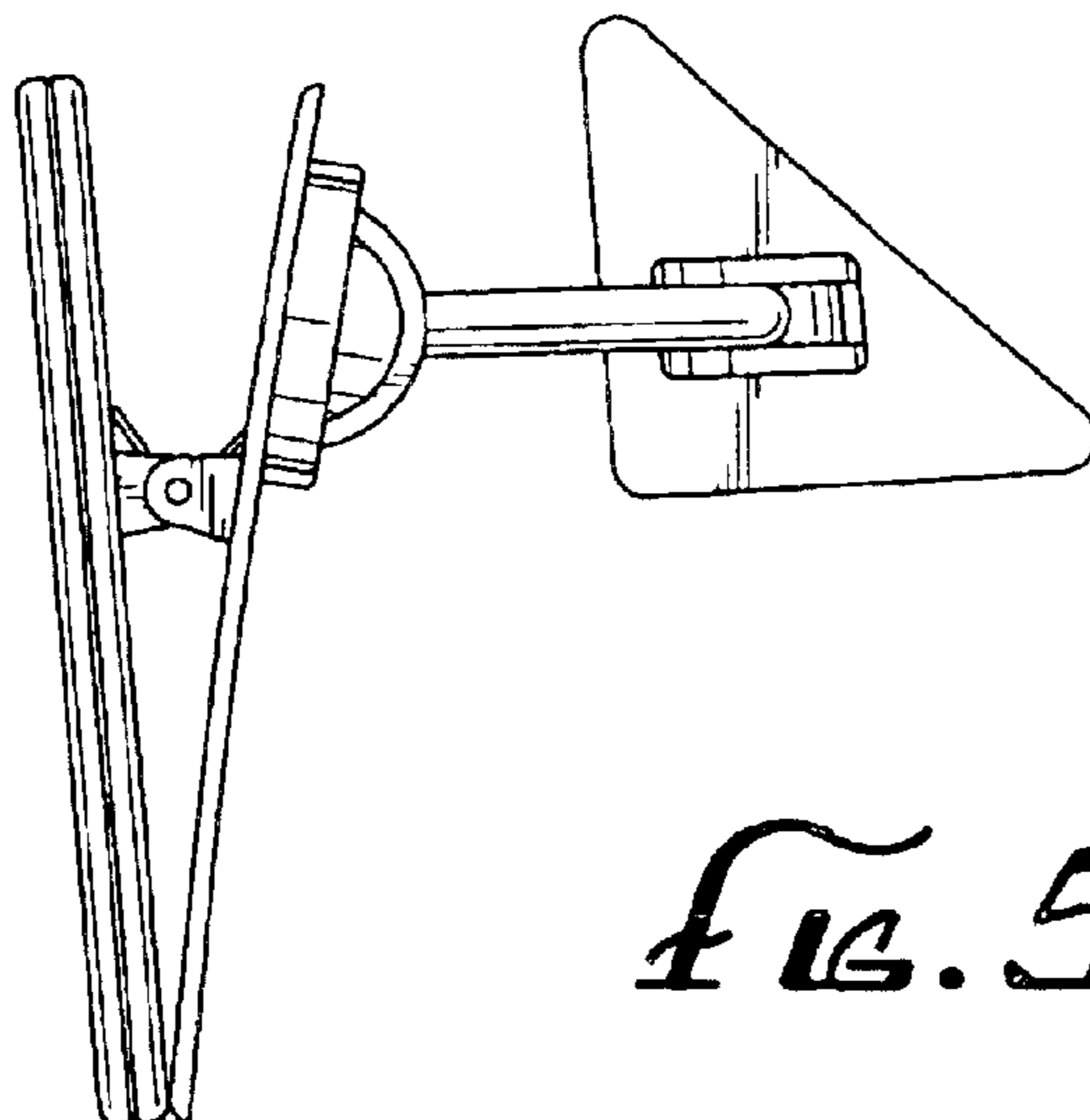


FIG. 5

FIG. 6

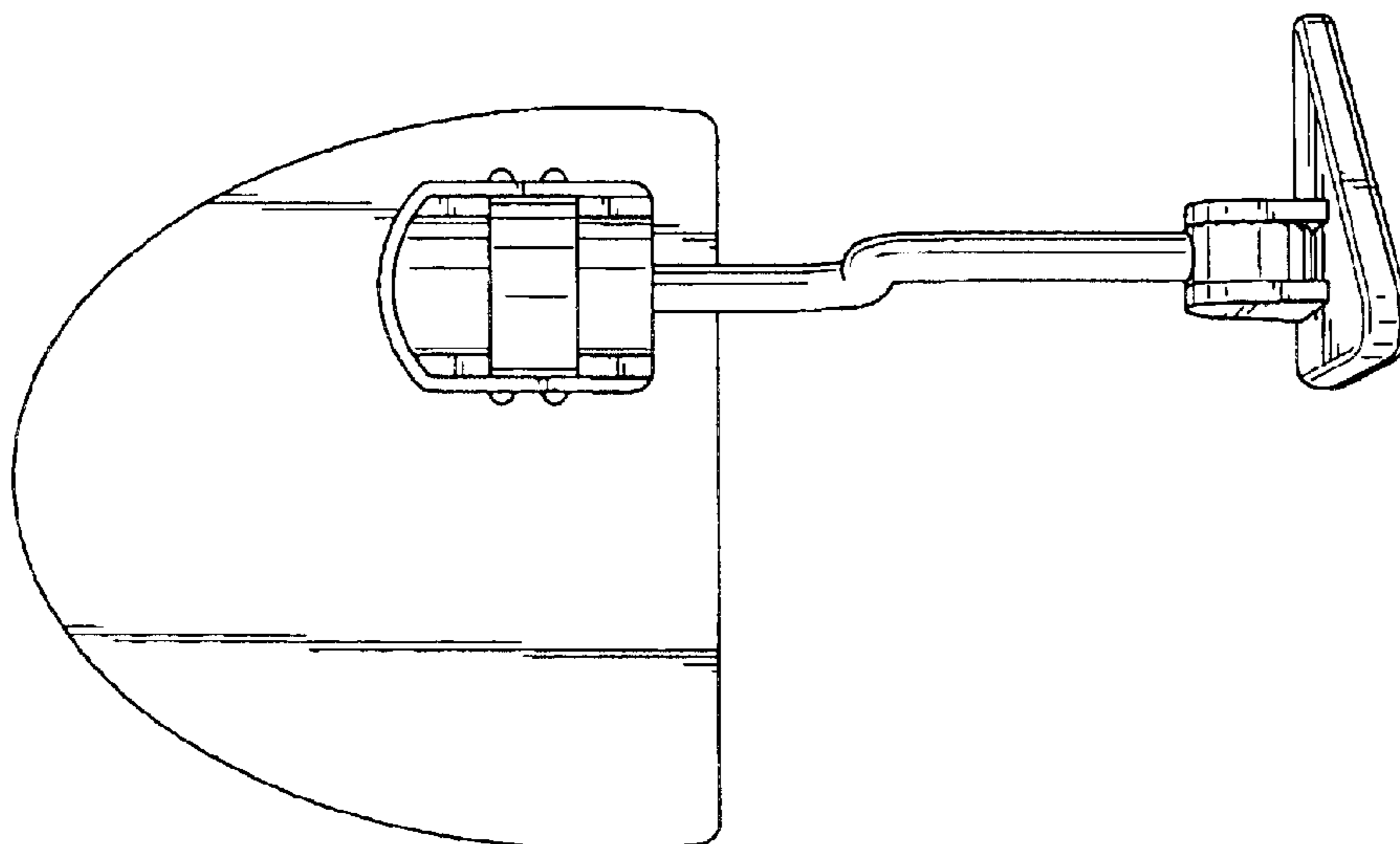
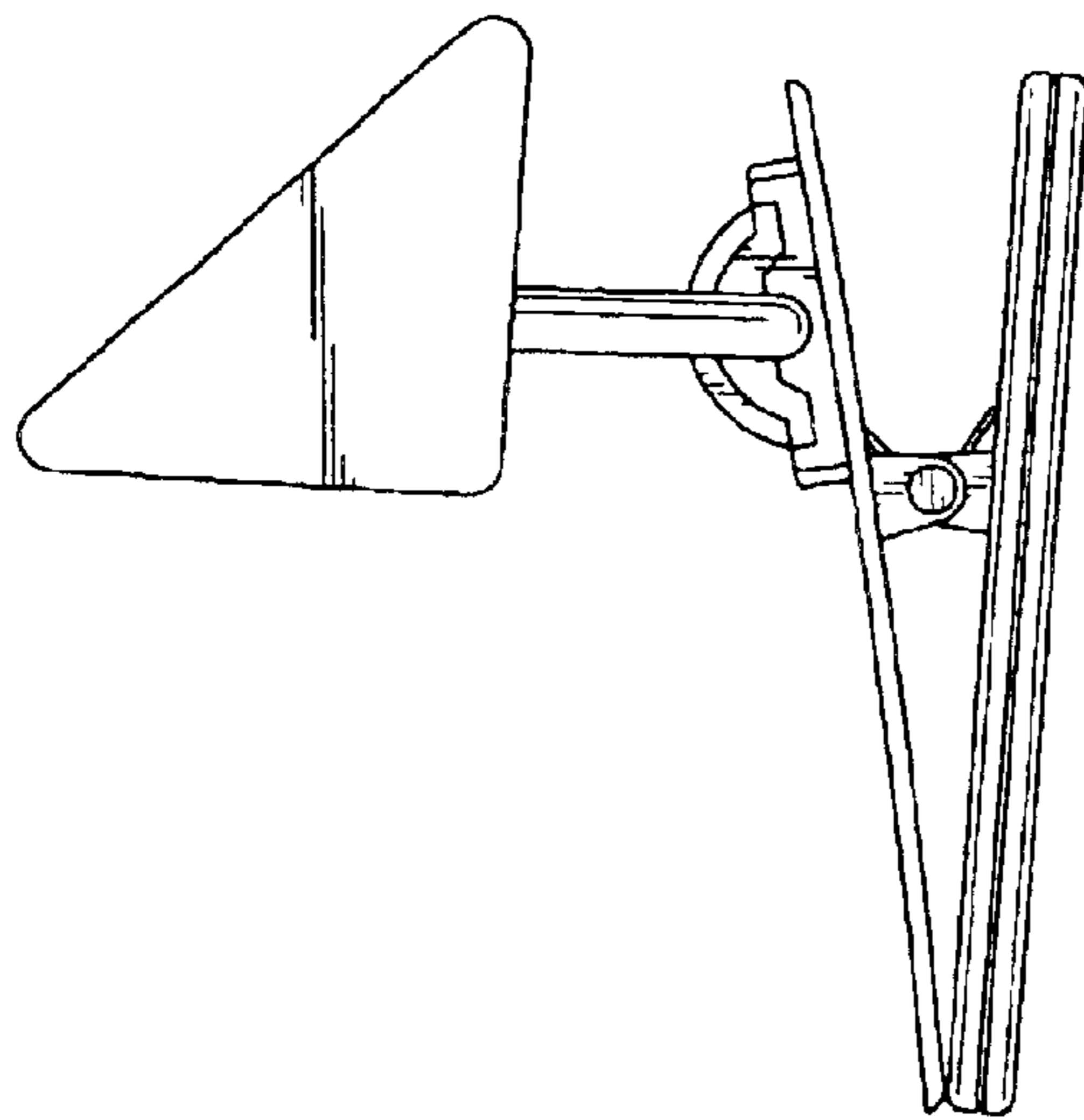


FIG. 7