



US00D500340S

(12) **United States Design Patent**
Boes et al.

(10) **Patent No.:** **US D500,340 S**
(45) **Date of Patent:** **** Dec. 28, 2004**

(54) **MASKING TAPE DISPENSER**
(75) Inventors: **Erwin P. Boes**, Wijchen (NL); **Jeroen D. De Regt**, Oss (NL)
(73) Assignee: **Ray Technology Group B.V.**, Druenen (NL)
(**) Term: **14 Years**

2,670,041 A * 2/1954 Krueger 225/20
2,694,533 A * 11/1954 Zucker 242/588.6
D192,455 S * 3/1962 Castelli D9/419
6,439,289 B1 * 8/2002 Schlotthauer 156/577

* cited by examiner

Primary Examiner—Martie K. Holtje
(74) *Attorney, Agent, or Firm*—Webb Ziesenheim Logsdon Orkin & Hanson, P.C.

(21) Appl. No.: **29/189,636**
(22) Filed: **Sep. 9, 2003**

(57) **CLAIM**

The ornamental design for a masking tape dispenser, as shown and described.

(30) **Foreign Application Priority Data**

May 1, 2003 (WO) DM/063 823

DESCRIPTION

(51) **LOC (7) Cl.** **19-02**
(52) **U.S. Cl.** **D19/69; D19/67**
(58) **Field of Search** D9/419; D19/65, D19/75, 66, 67, 68, 69, 89, 99, 100; 225/6, 7, 19, 20, 25, 34, 45, 56, 65, 66, 77, 89, 96, 106; 242/588, 588.1-588.6, 590; 156/327, 523, 527, 577

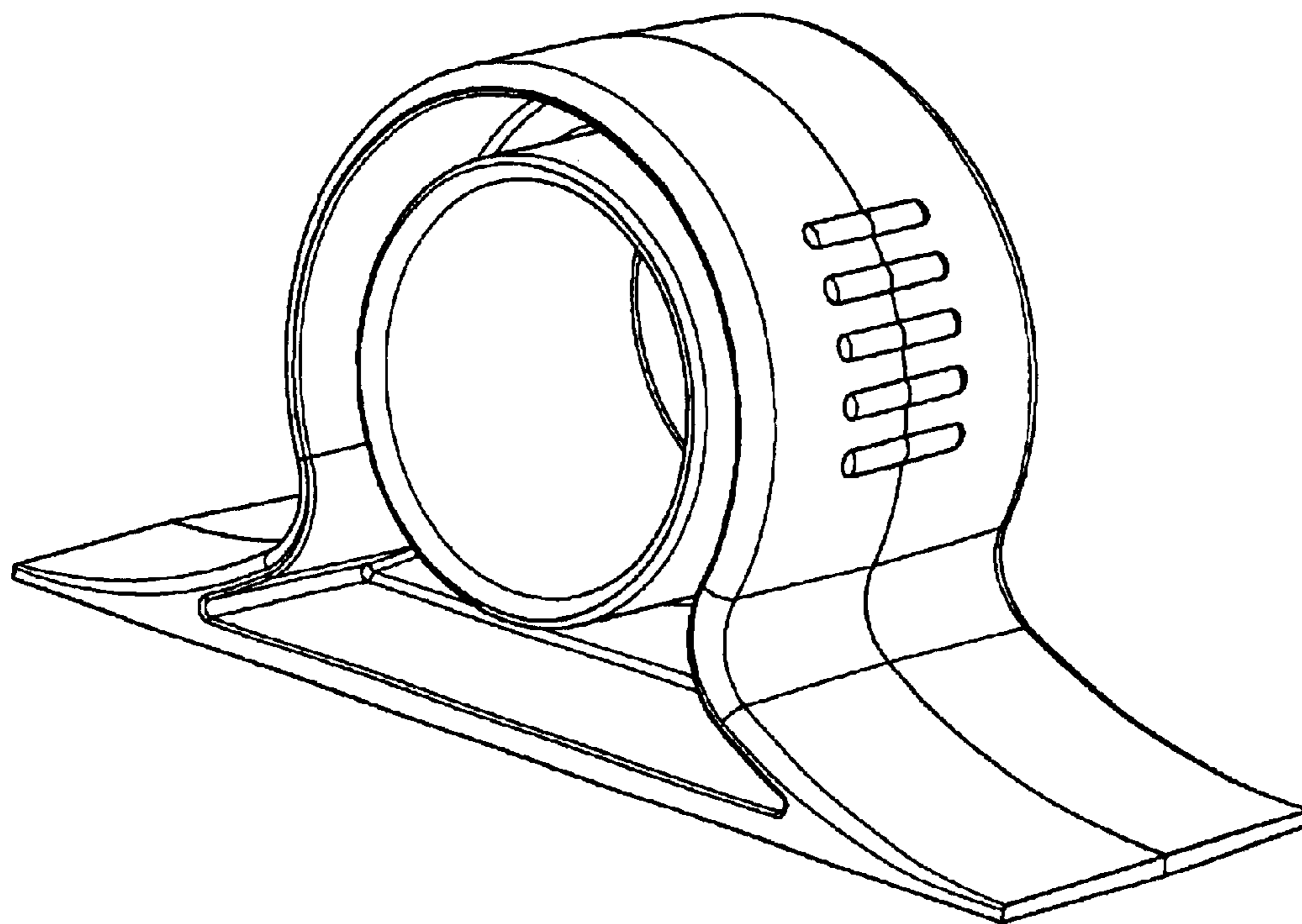
FIG. 1 is an upper perspective view of a masking tape dispenser according to the present invention;
FIG. 2 is a bottom perspective view of the masking tape dispenser shown in FIG. 1;
FIG. 3 is a front elevational view of the masking tape dispenser shown in FIG. 1;
FIG. 4 is a bottom elevational view of the masking tape dispenser shown in FIG. 1;
FIG. 5 is a side elevational view of the masking tape dispenser shown in FIG. 1; and,
FIG. 6 is a top elevational view of the masking tape dispenser shown in FIG. 1.

(56) **References Cited**

U.S. PATENT DOCUMENTS

1,704,044 A * 3/1929 Ingram 225/106
D141,219 S * 5/1945 Preble, Jr. D19/69
2,650,433 A * 9/1953 Krueger 226/96

1 Claim, 3 Drawing Sheets



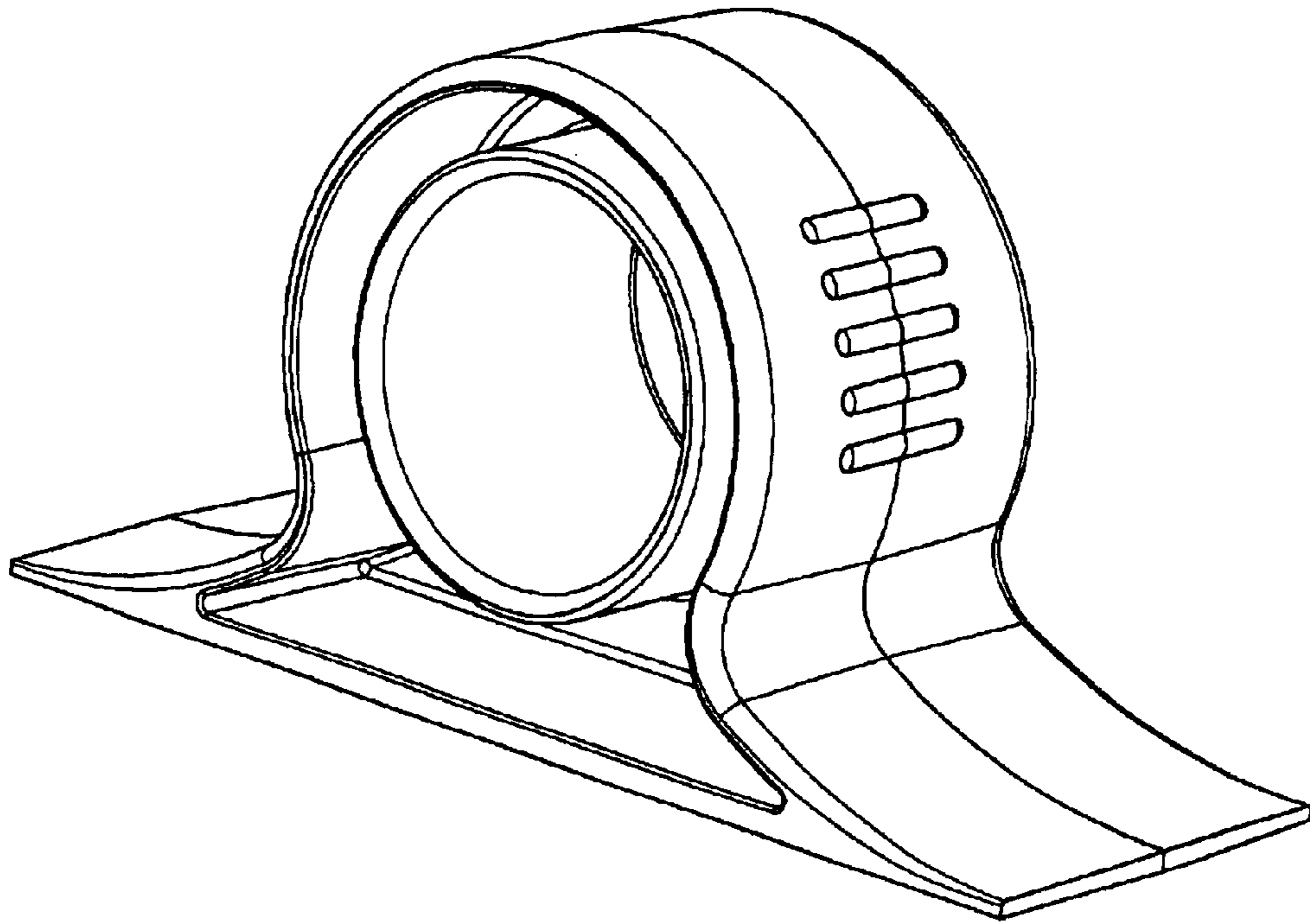


FIG. 1

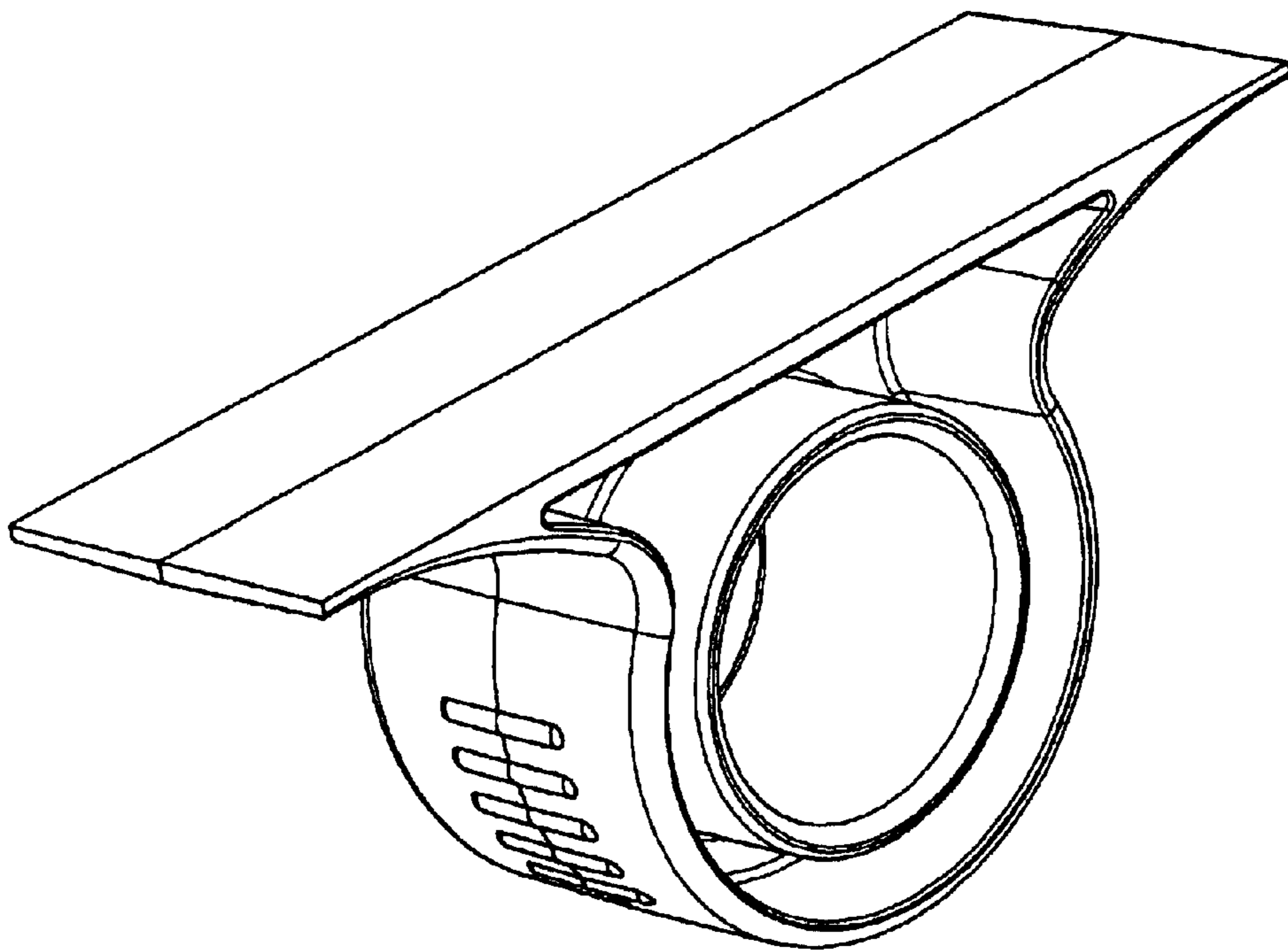


FIG. 2

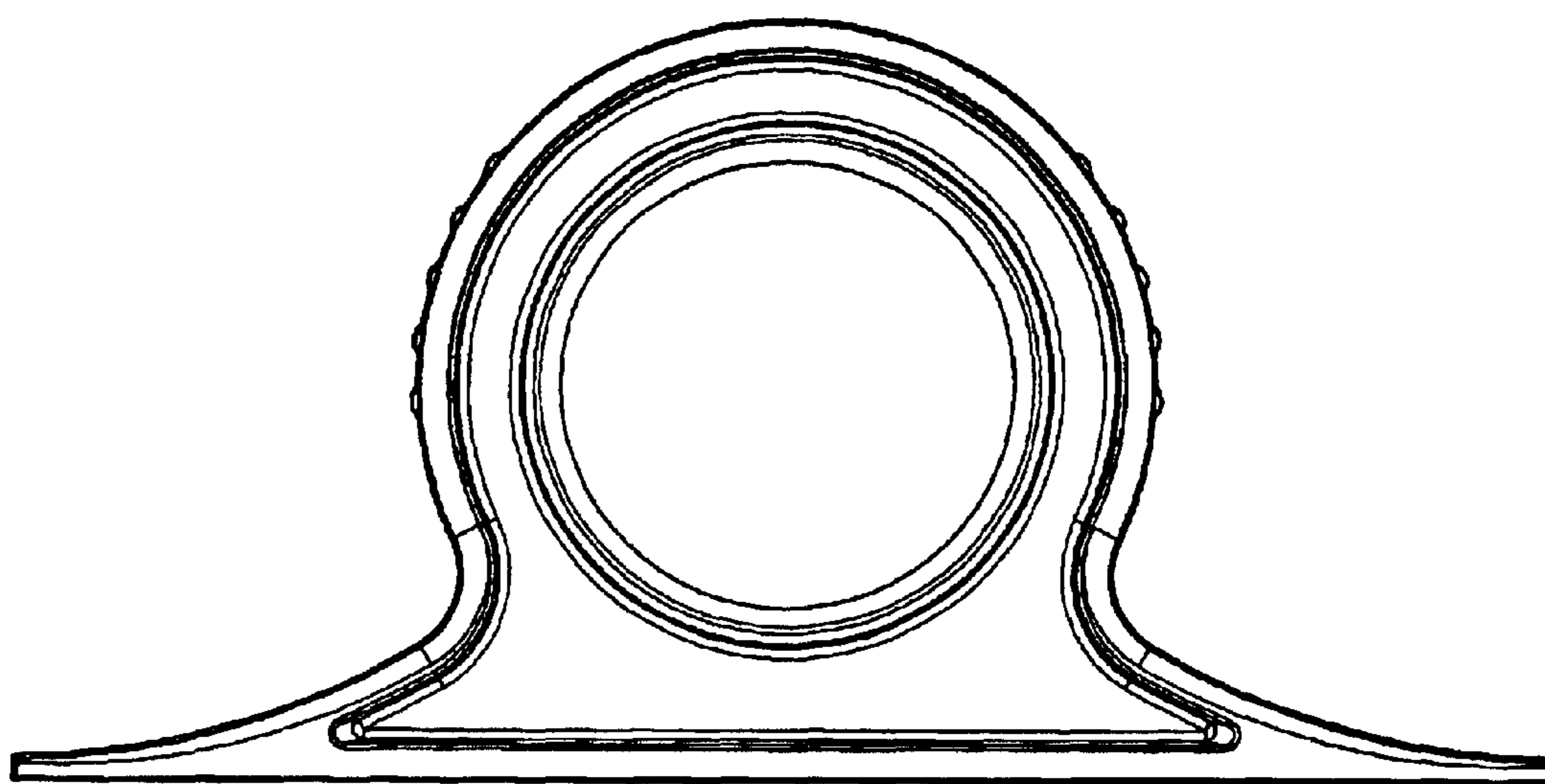


FIG. 3

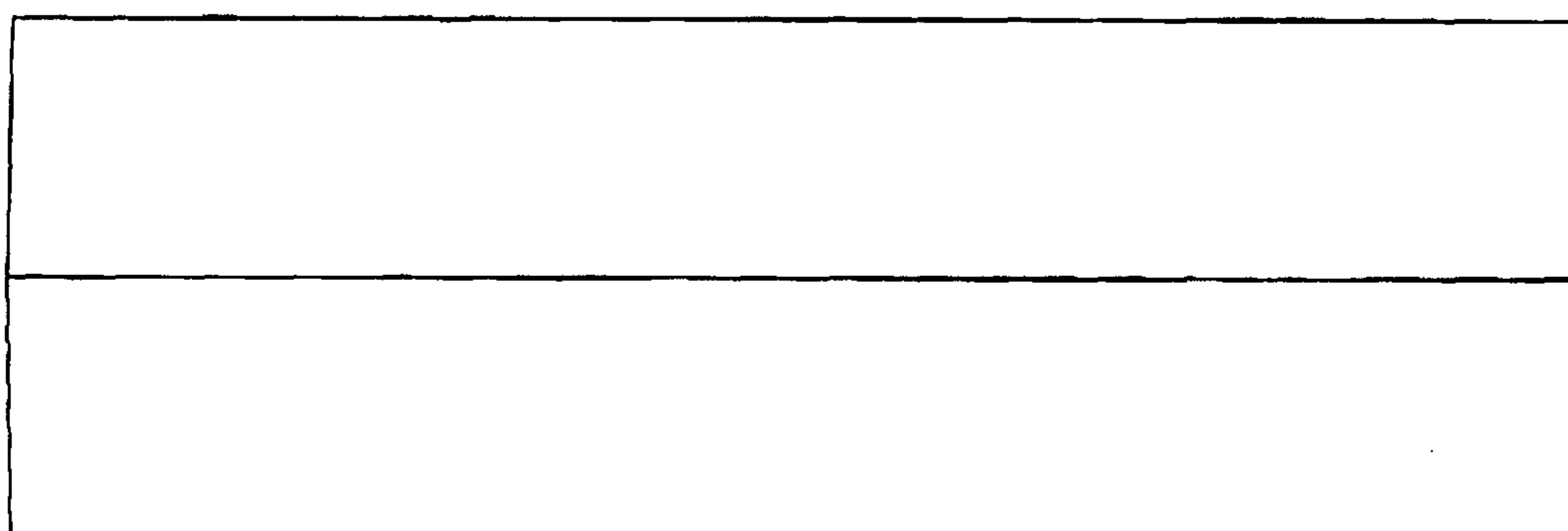


FIG. 4

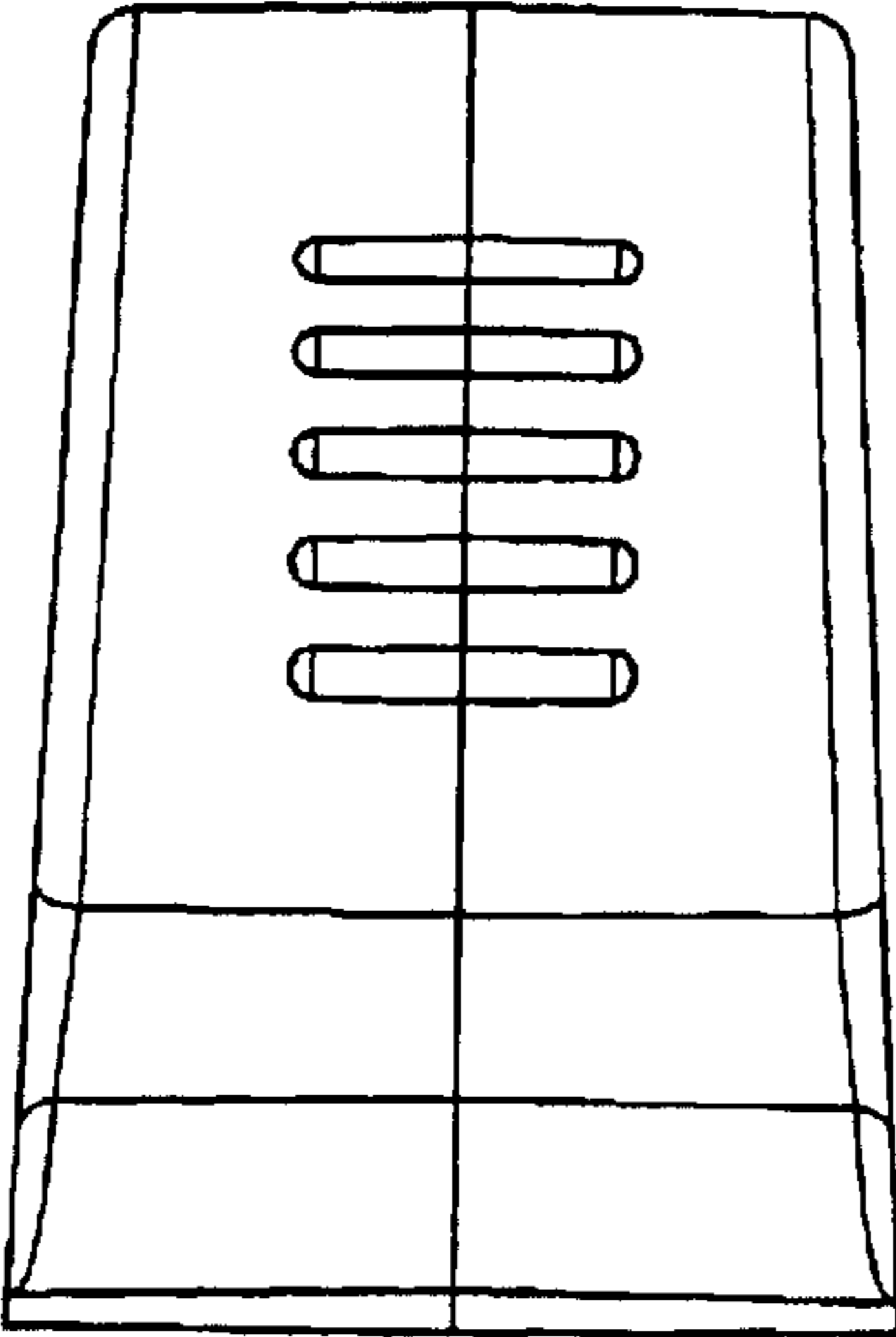


FIG. 5

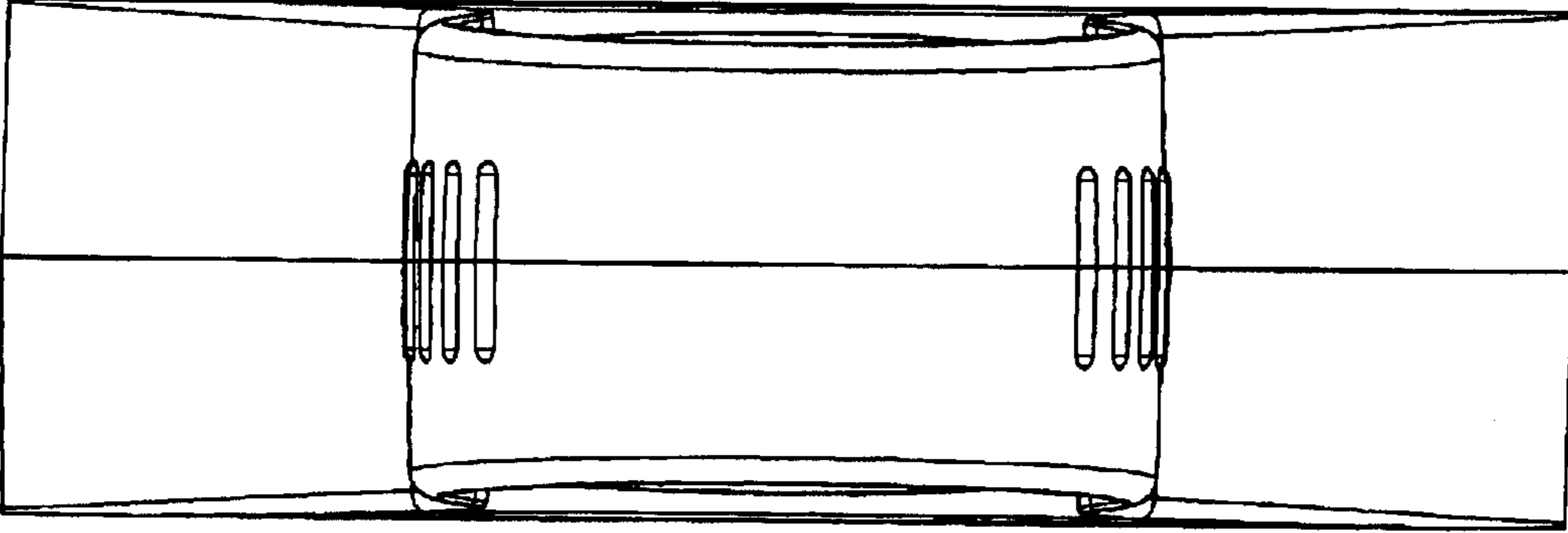


FIG. 6

UNITED STATES PATENT AND TRADEMARK OFFICE
CERTIFICATE OF CORRECTION

PATENT NO. : Des. 500,340 S
DATED : December 28, 2004
INVENTOR(S) : Boes et al.

Page 1 of 1

It is certified that error appears in the above-identified patent and that said Letters Patent is hereby corrected as shown below:

Title page.

Item [73], Assignee, "Druenen, (NL)" should read -- Drunen, (NL) --

Signed and Sealed this

Nineteenth Day of July, 2005

A handwritten signature in black ink on a light gray dotted background. The signature reads "Jon W. Dudas" in a cursive style.

JON W. DUDAS

Director of the United States Patent and Trademark Office