

US00D500335S

(12) **United States Design Patent**
Karakama et al.

(10) **Patent No.:** **US D500,335 S**
(45) **Date of Patent:** **** Dec. 28, 2004**

(54) **IMAGE FORMING APPARATUS**

(75) Inventors: **Toshiyuki Karakama, Susono (JP);
Noriyuki Komatsu, Numazu (JP)**

(73) Assignee: **Canon Kabushiki Kaisha, Tokyo (JP)**

(**) Term: **14 Years**

(21) Appl. No.: **29/194,007**

(22) Filed: **Nov. 19, 2003**

(30) **Foreign Application Priority Data**

May 20, 2003 (JP) 2003-013878

(51) **LOC (7) Cl.** **16-03**

(52) **U.S. Cl.** **D18/40**

(58) **Field of Search** D18/12, 40, 43,
D18/56; D14/471, 481, 483; 222/DIG. 1;
399/24-31, 110-125, 252-263

(56) **References Cited**

U.S. PATENT DOCUMENTS

D309,323 S * 7/1990 Craft et al. D18/40
D397,140 S * 8/1998 Oshida D18/40
5,794,102 A * 8/1998 Coffey et al. 399/114
6,144,398 A * 11/2000 Yokoyama et al. 399/111

D478,615 S 8/2003 Karakama et al. D18/40
D492,958 S * 7/2004 Karakama et al. D18/40
2003/0161657 A1 * 8/2003 Yokoi et al. 399/119

FOREIGN PATENT DOCUMENTS

JP 1166768 1/2003

* cited by examiner

Primary Examiner—Caron D. Veynar

(74) *Attorney, Agent, or Firm*—Fitzpatrick, Cella, Harper & Scinto

(57) **CLAIM**

The ornamental design for an image forming apparatus, as shown and described.

DESCRIPTION

FIG. 1 is a front view of an image forming apparatus showing our new design;
FIG. 2 is a rear view thereof;
FIG. 3 is a top plan view thereof;
FIG. 4 is a bottom plan view thereof;
FIG. 5 is a left side view thereof;
FIG. 6 is a right side view thereof; and,
FIG. 7 is a perspective view thereof.

1 Claim, 6 Drawing Sheets

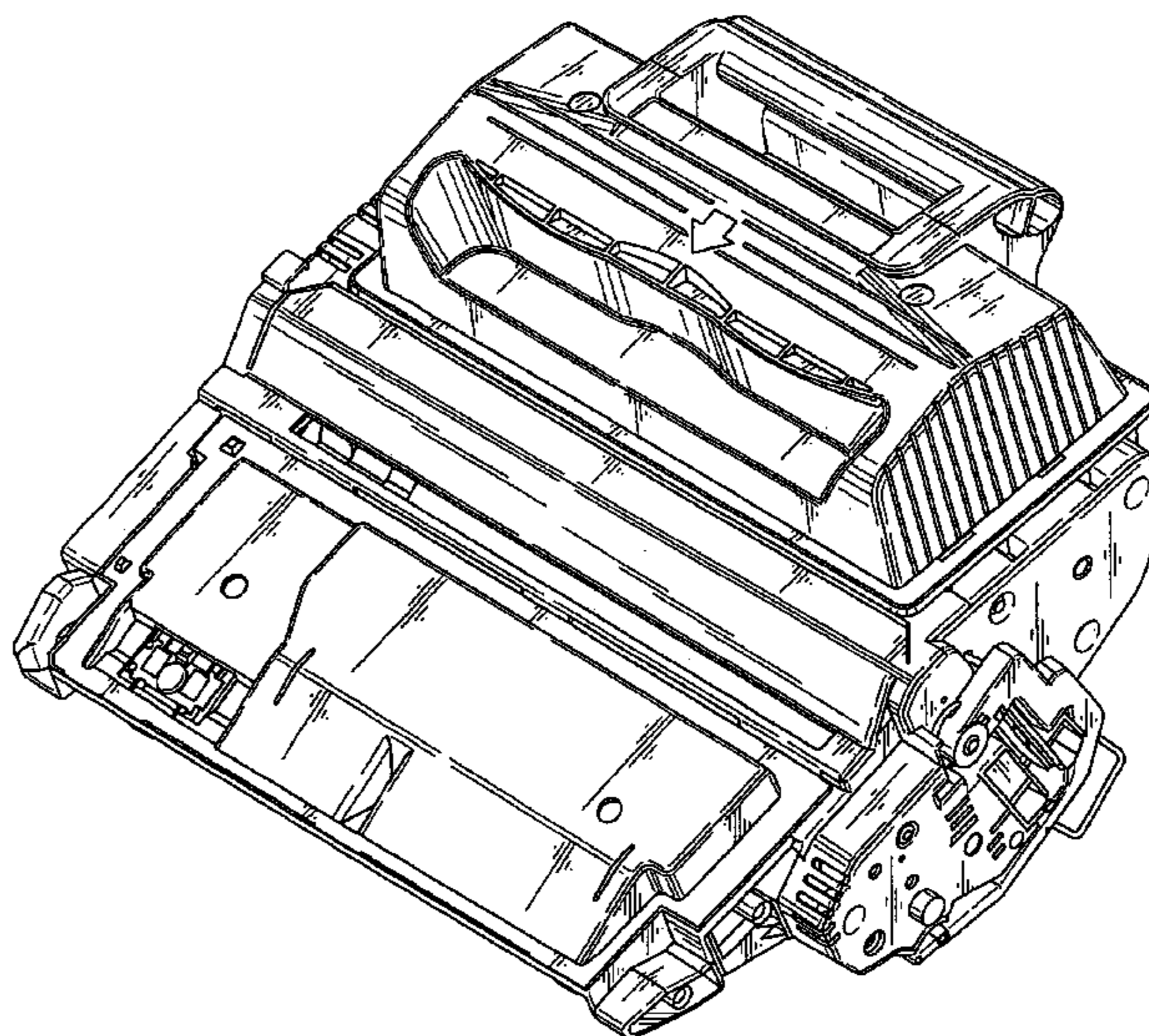
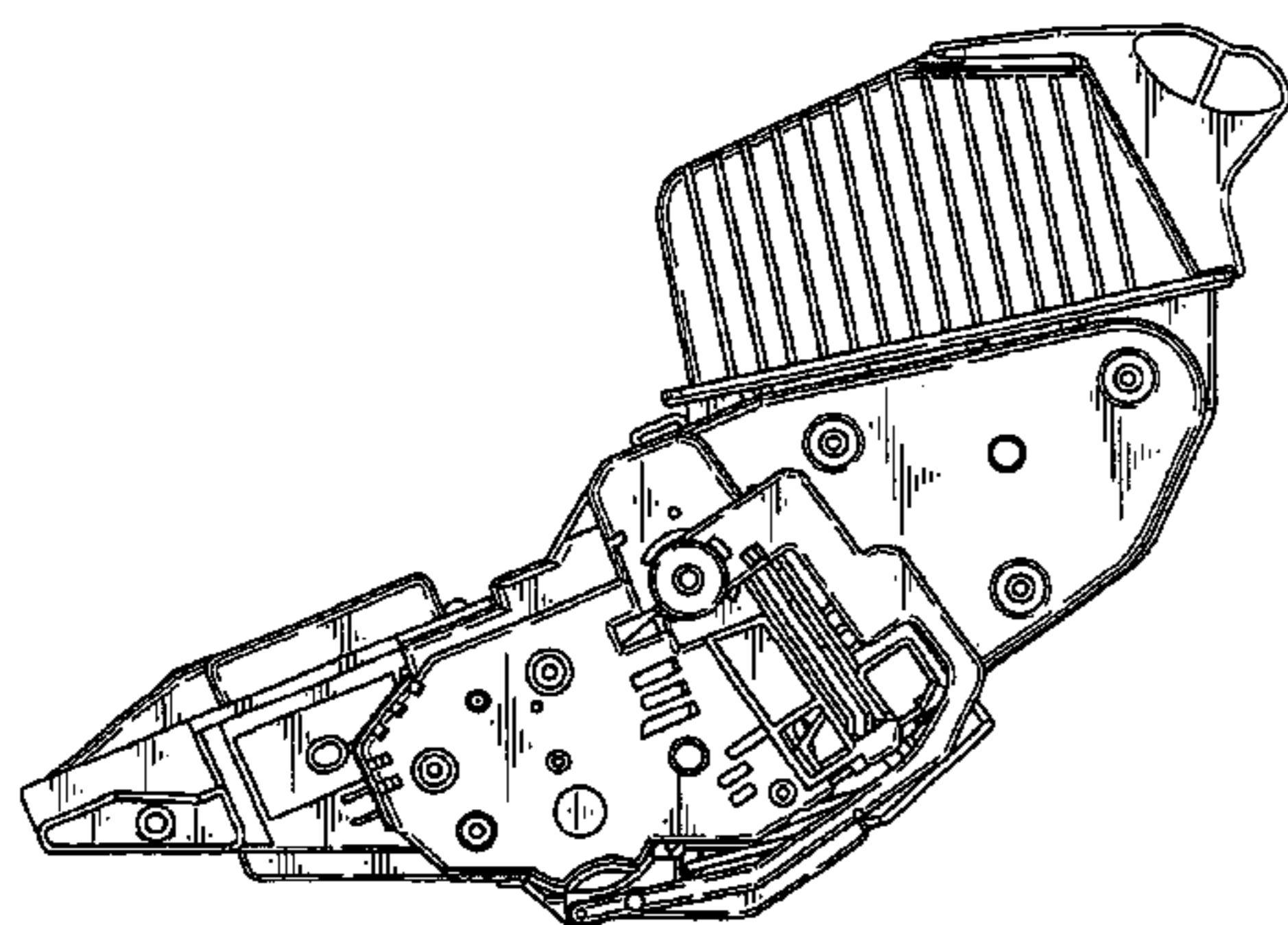


FIG. 1

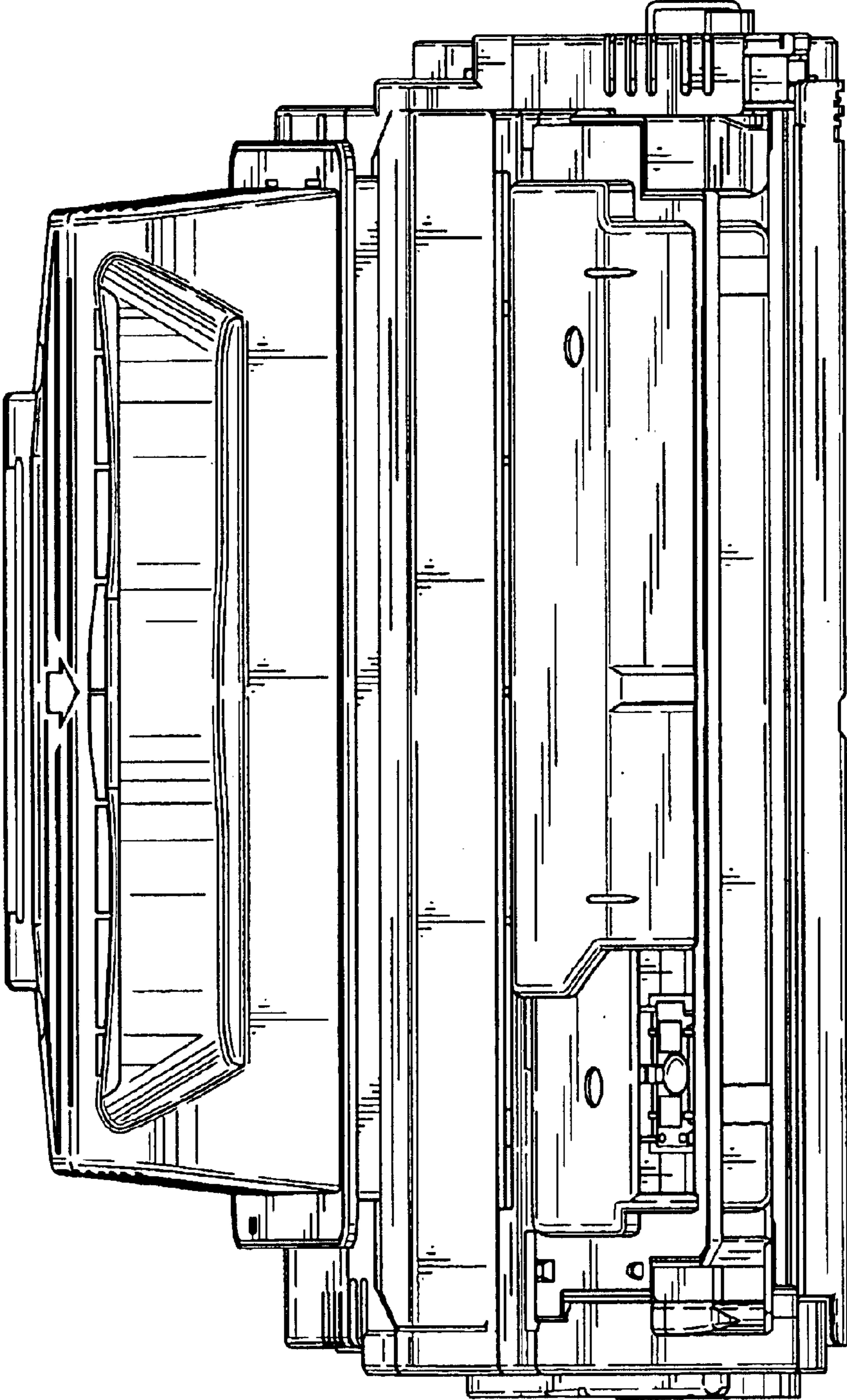


FIG. 2

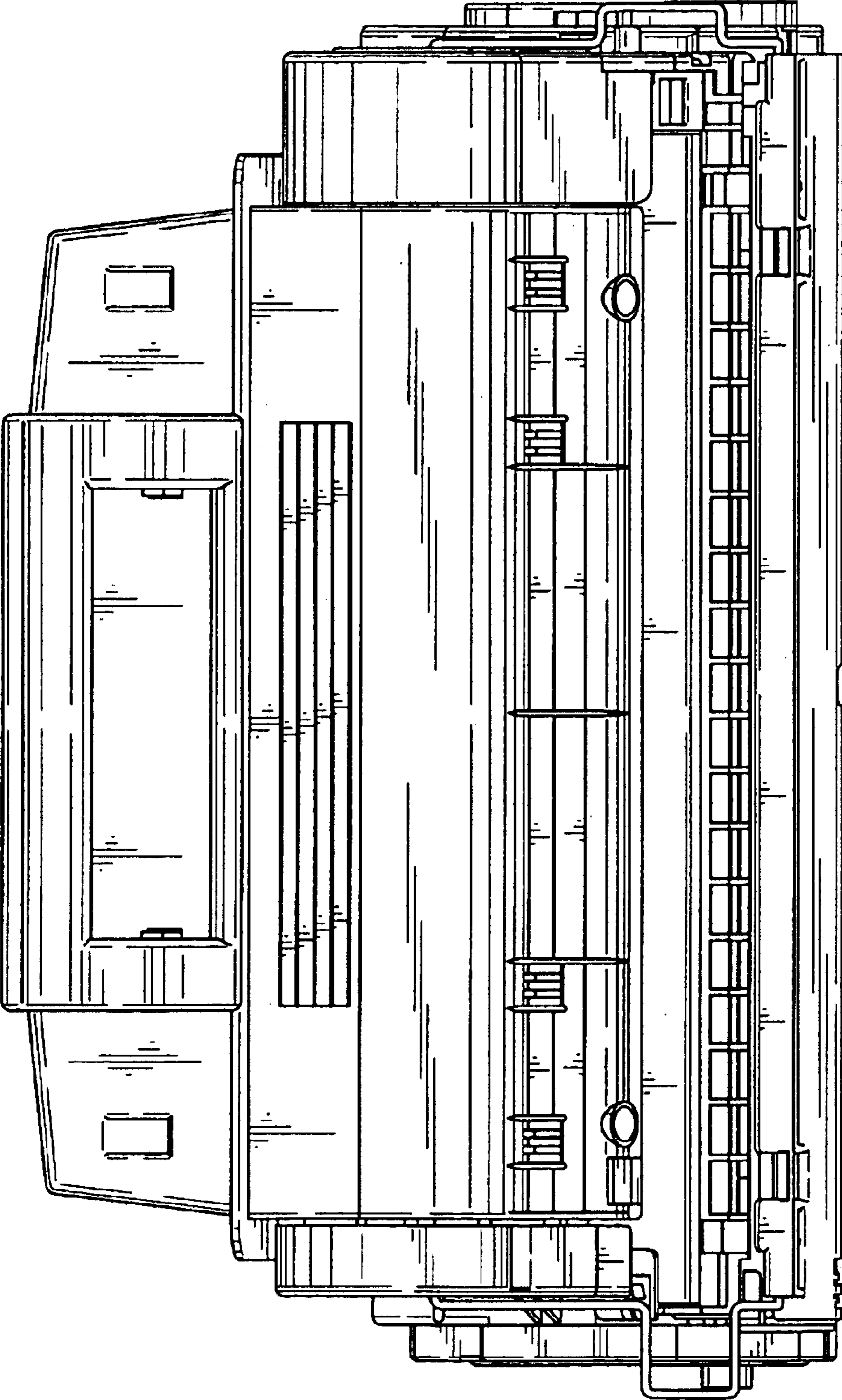


FIG. 3

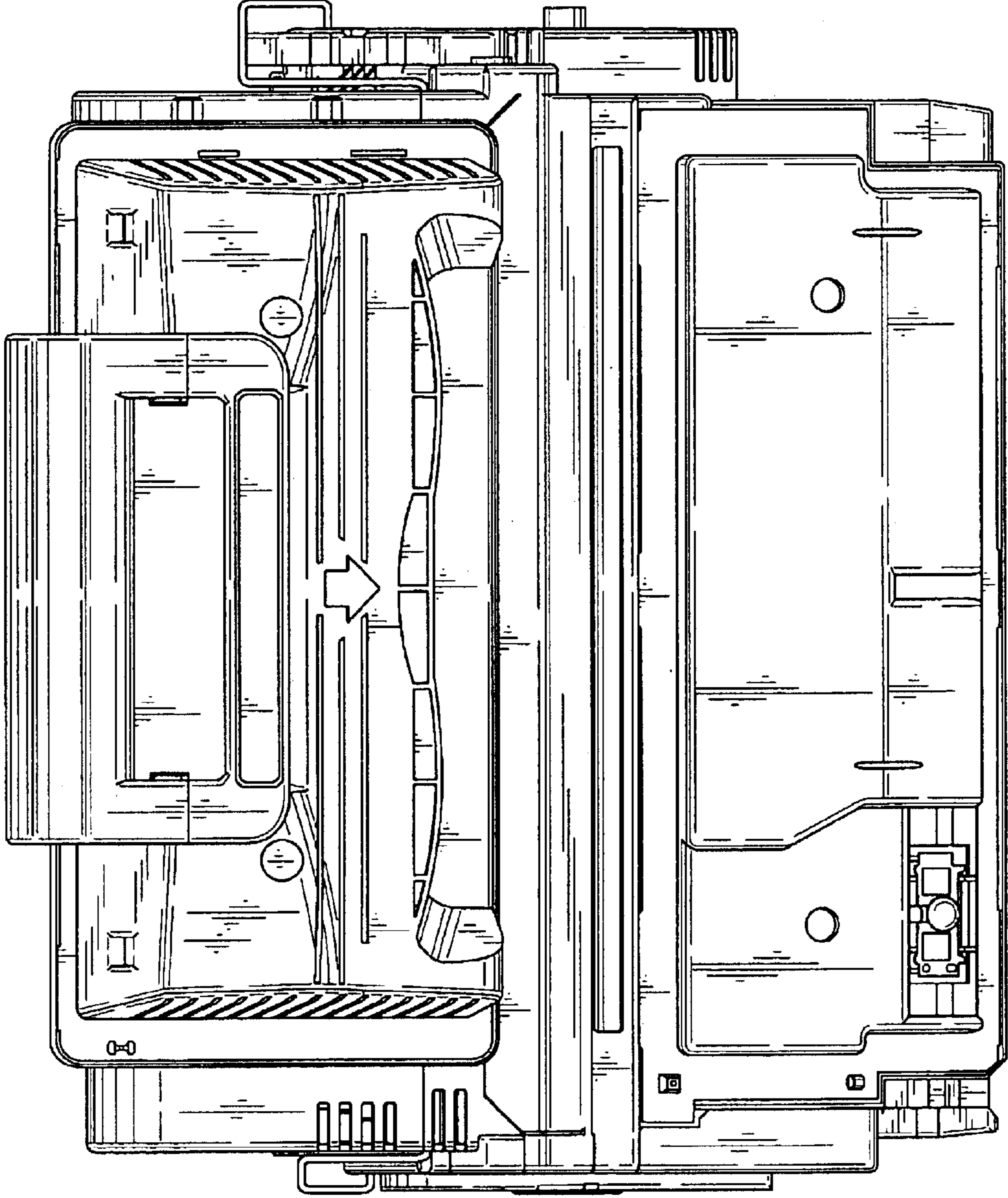


FIG. 4

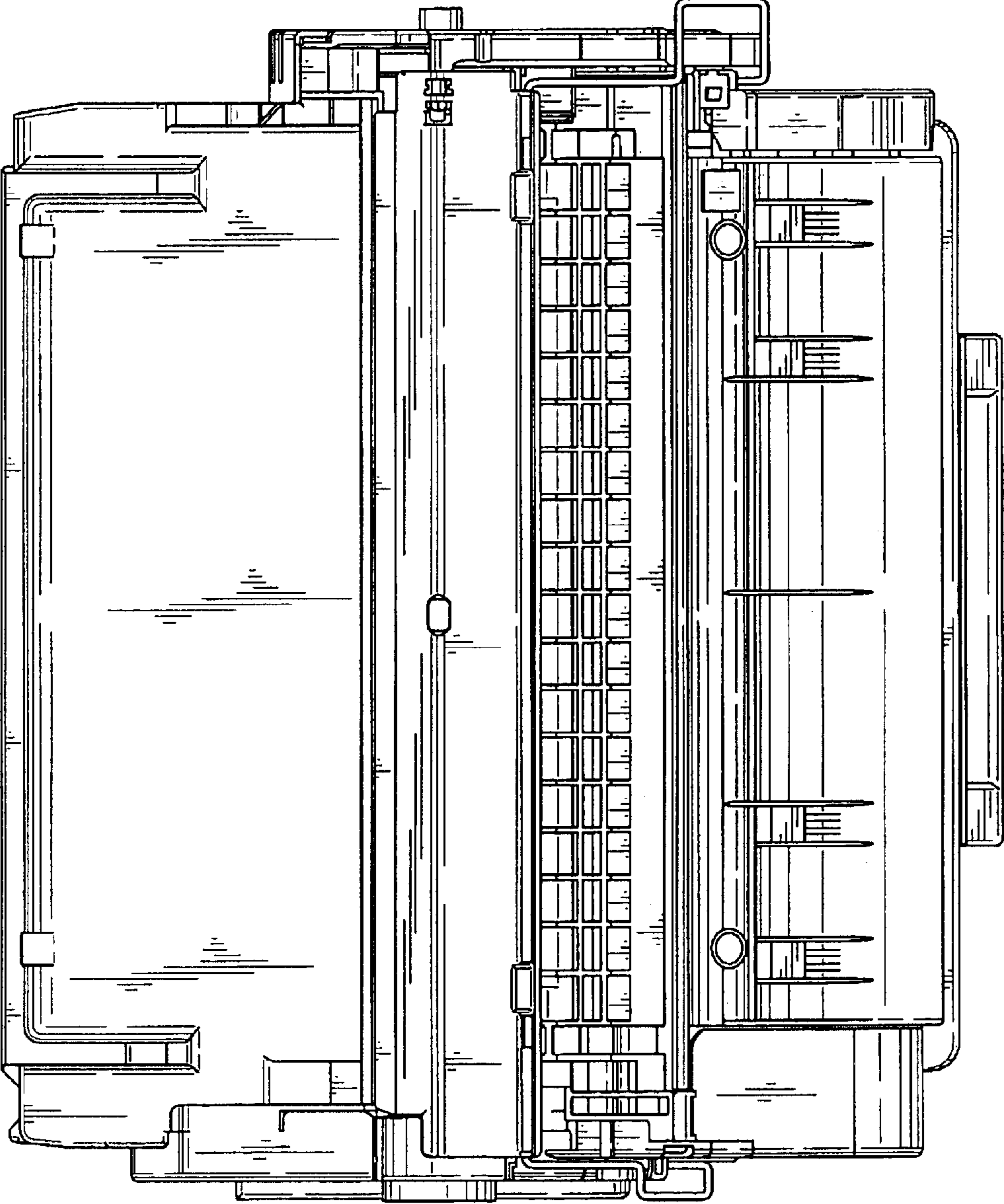


FIG. 5

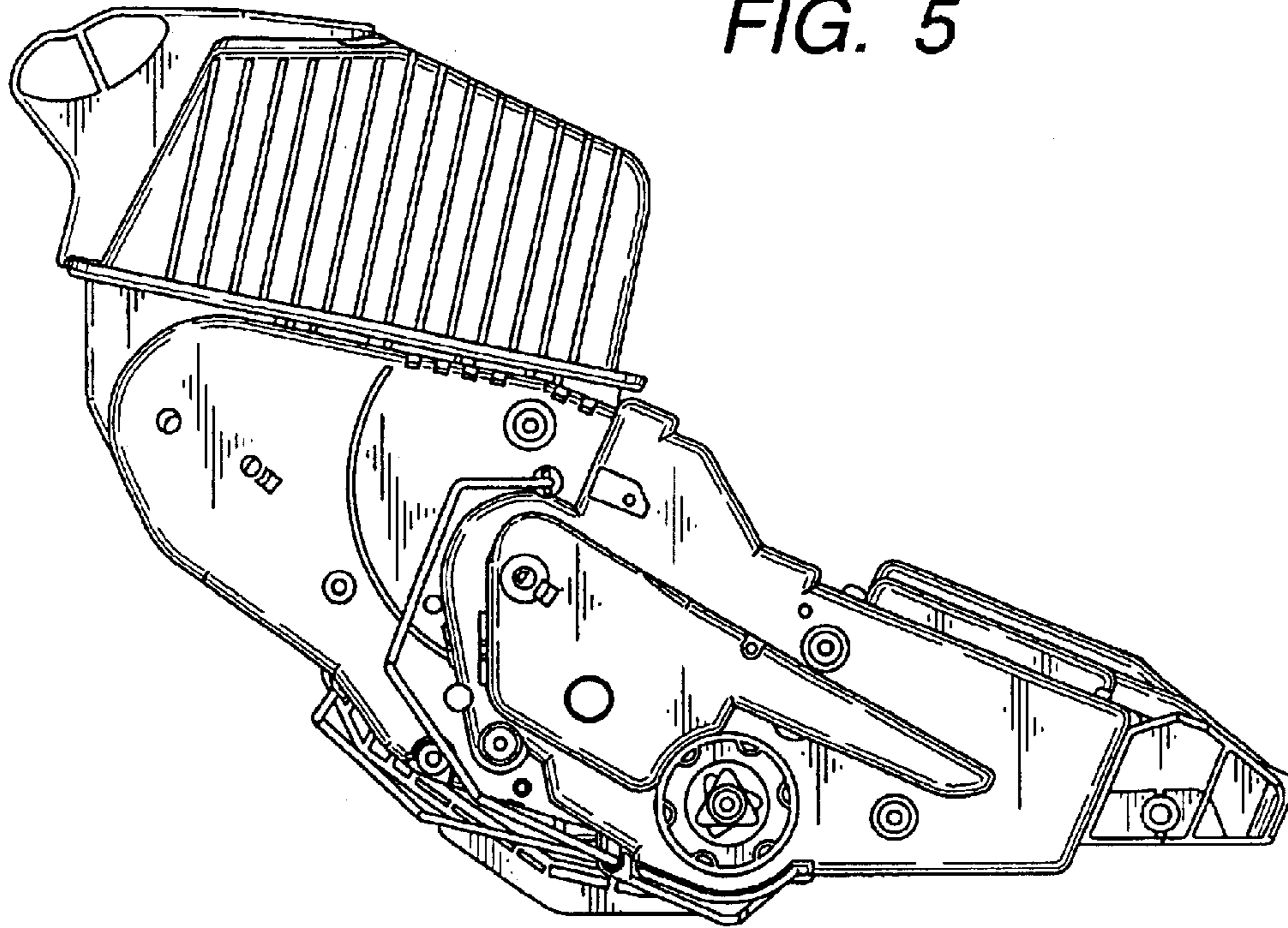
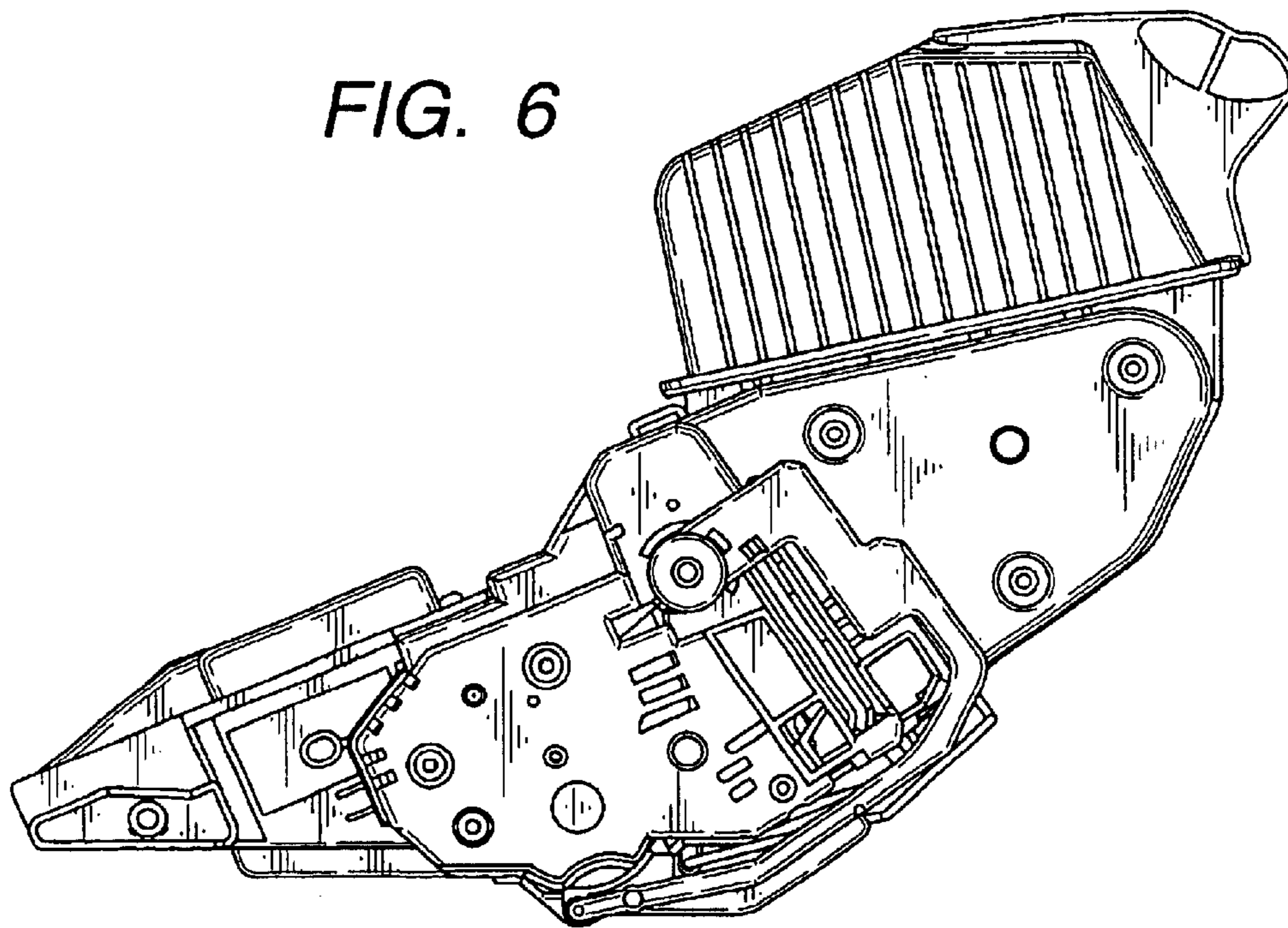


FIG. 6



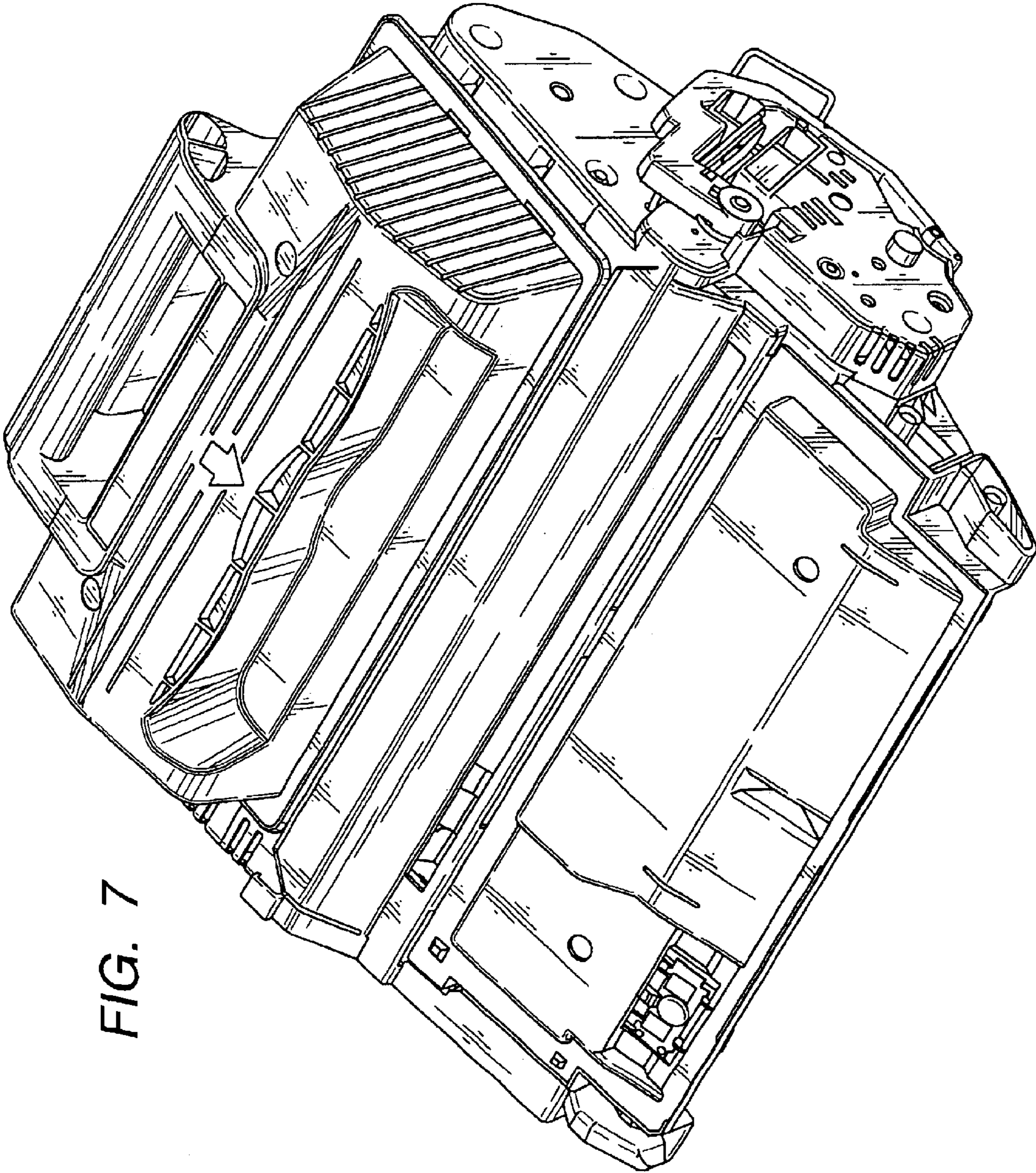


FIG. 7