

US00D500332S

(12) **United States Design Patent**
Crisler, III et al.

(10) **Patent No.: US D500,332 S**

(45) **Date of Patent: ** Dec. 28, 2004**

(54) **WELDER**

(75) Inventors: **Howard E. Crisler, III**, Antioch, TN
(US); **Roger L. DeYoung**, Franklin, TN
(US); **David J. Moore**, Mt. Juliet, TN
(US)

(73) Assignee: **Campbell Hausfeld/Scott Fetzer**
Company, Harrison, OH (US)

(**) Term: **14 Years**

(21) Appl. No.: **29/195,594**

(22) Filed: **Dec. 15, 2003**

Related U.S. Application Data

(62) Division of application No. 10/394,691, filed on Mar. 21, 2003.

(51) **LOC (7) Cl.** **15-09**

(52) **U.S. Cl.** **D15/144**

(58) **Field of Search** D15/144, 144.2,
D15/144.3; 219/130

(56) **References Cited**

U.S. PATENT DOCUMENTS

3,237,051 A * 2/1966 Schober 315/137

D280,329 S * 8/1985 Bouman D15/144
5,208,436 A * 5/1993 Blankenship 219/121.54
5,747,773 A * 5/1998 Griffin et al. 219/130.1
D475,726 S * 6/2003 Suga et al. D15/144
2003/0213789 A1 * 11/2003 Andersen et al. 219/130.1

* cited by examiner

Primary Examiner—Antoine D. Davis

(74) *Attorney, Agent, or Firm*—Jones Day

(57) **CLAIM**

The ornamental design for a welder, as shown and described.

DESCRIPTION

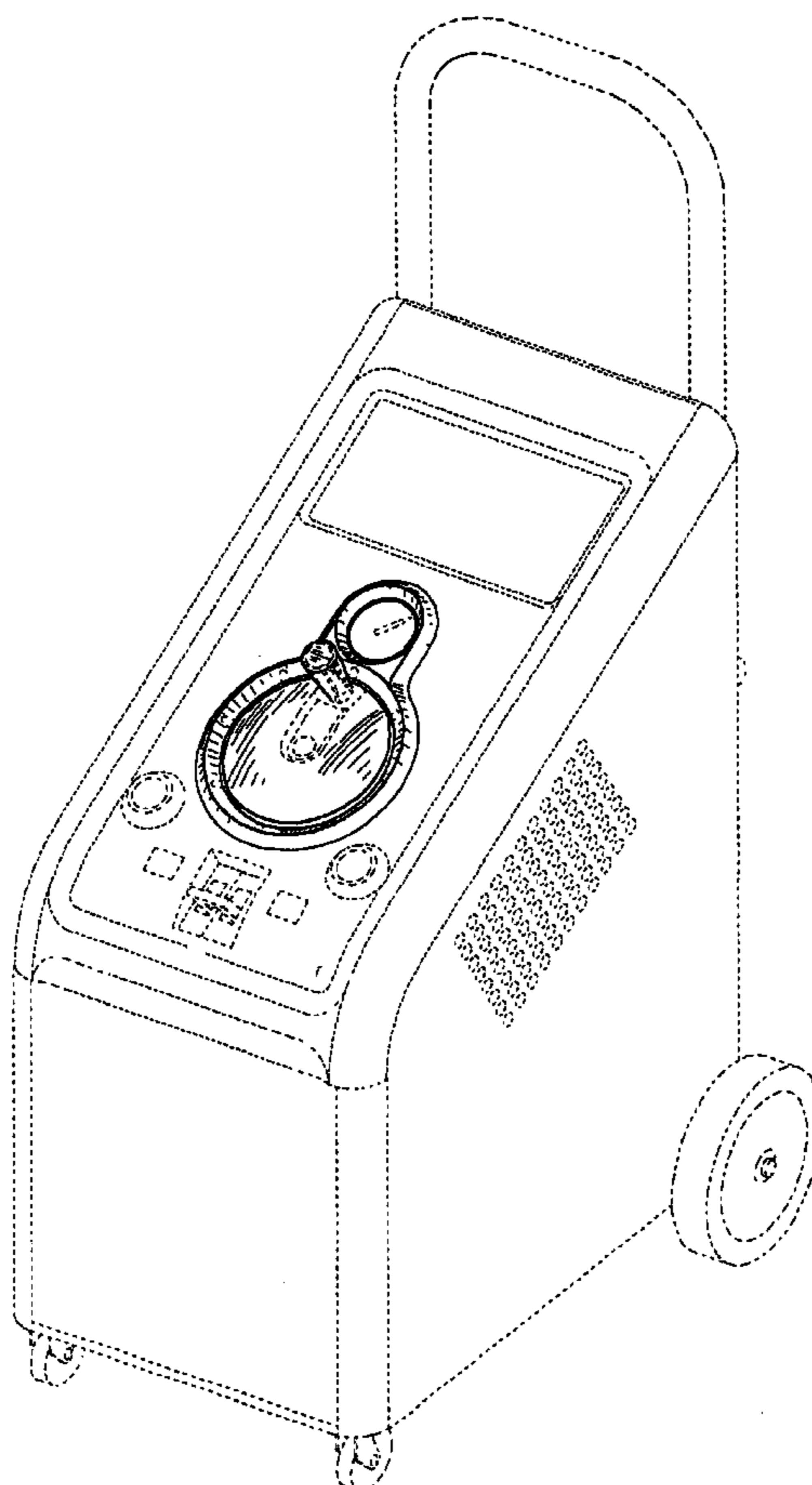
FIG. 1 is a perspective view of a welder embodying the ornamental design of the present invention;

FIG. 2 is front view of the welder; and,

FIG. 3 is a head-on view of a control panel of the welder.

The broken lines in FIGS. 1–3 are for illustrative purposes only and form no part of the claimed design.

1 Claim, 3 Drawing Sheets



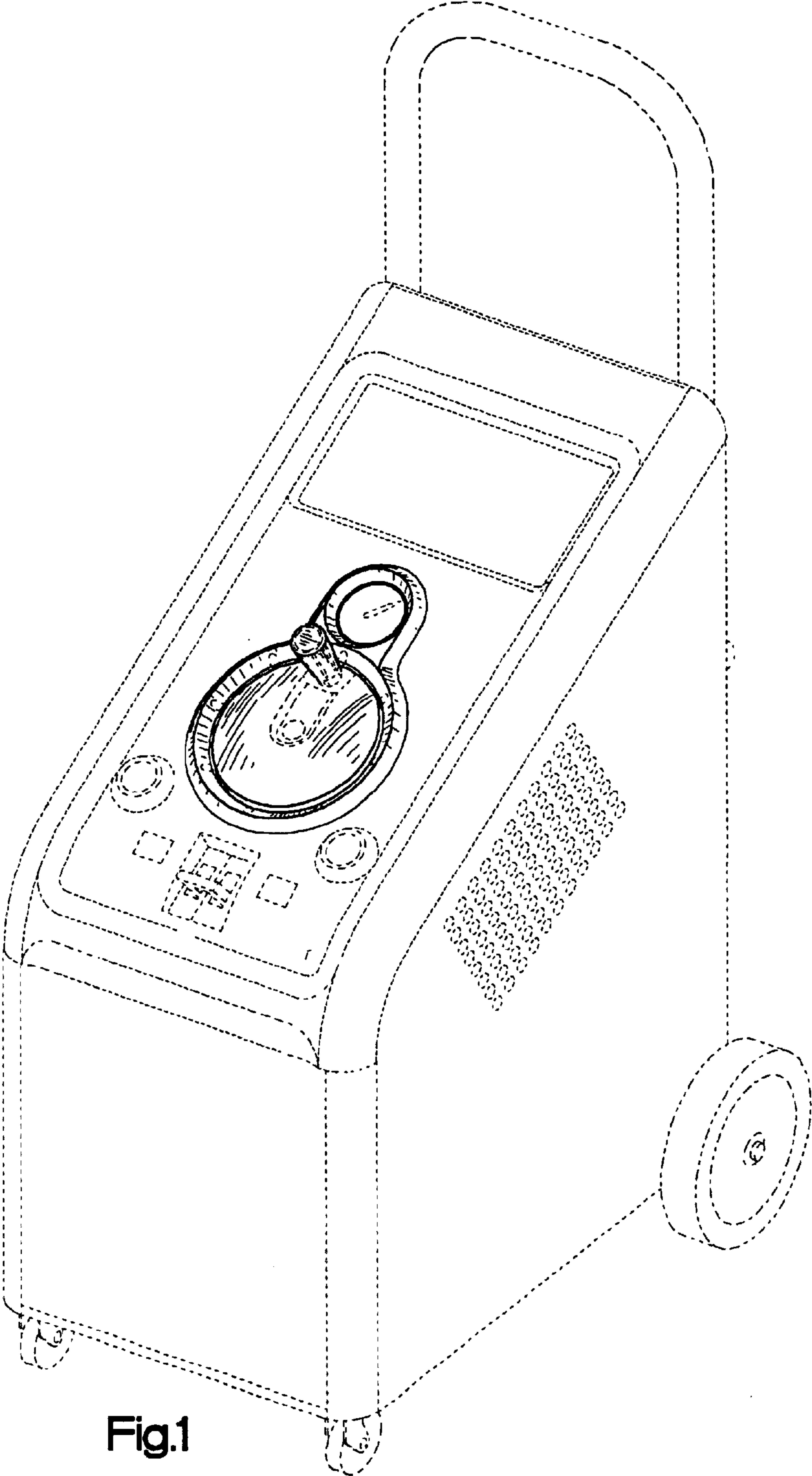


Fig.1

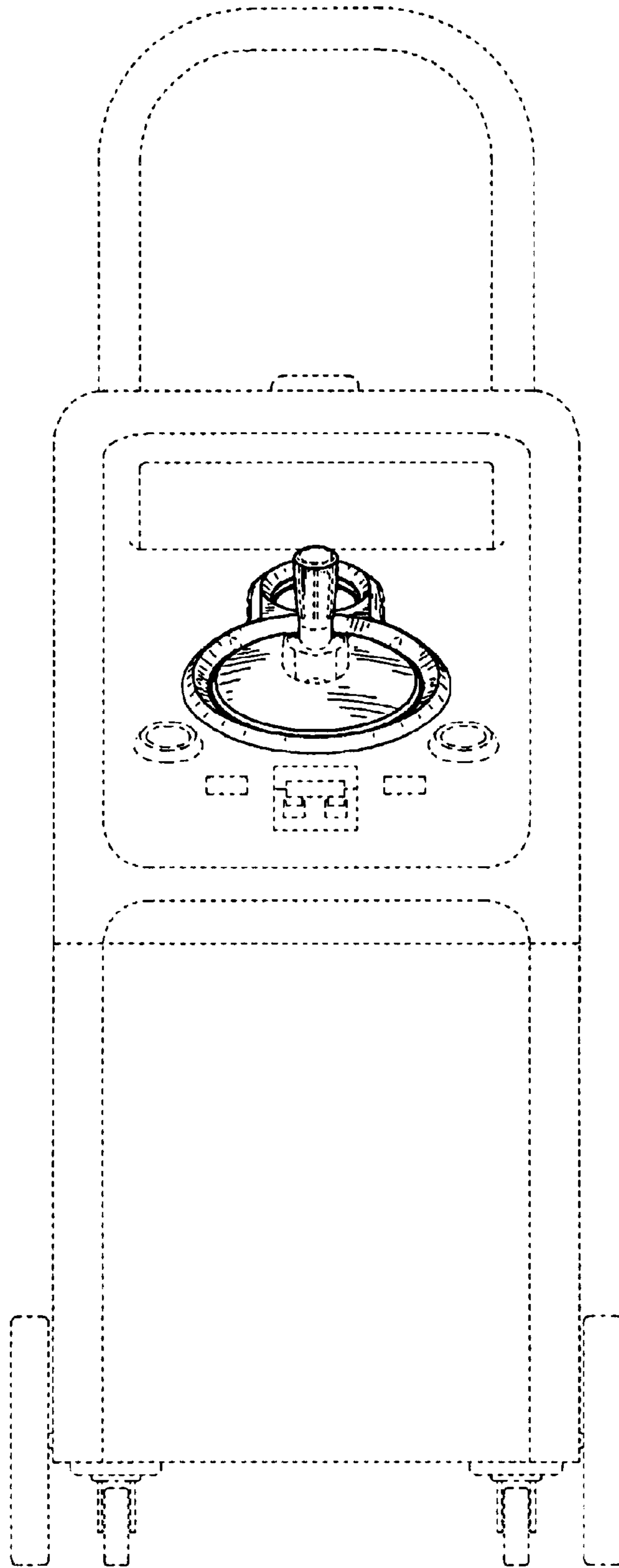


Fig.2

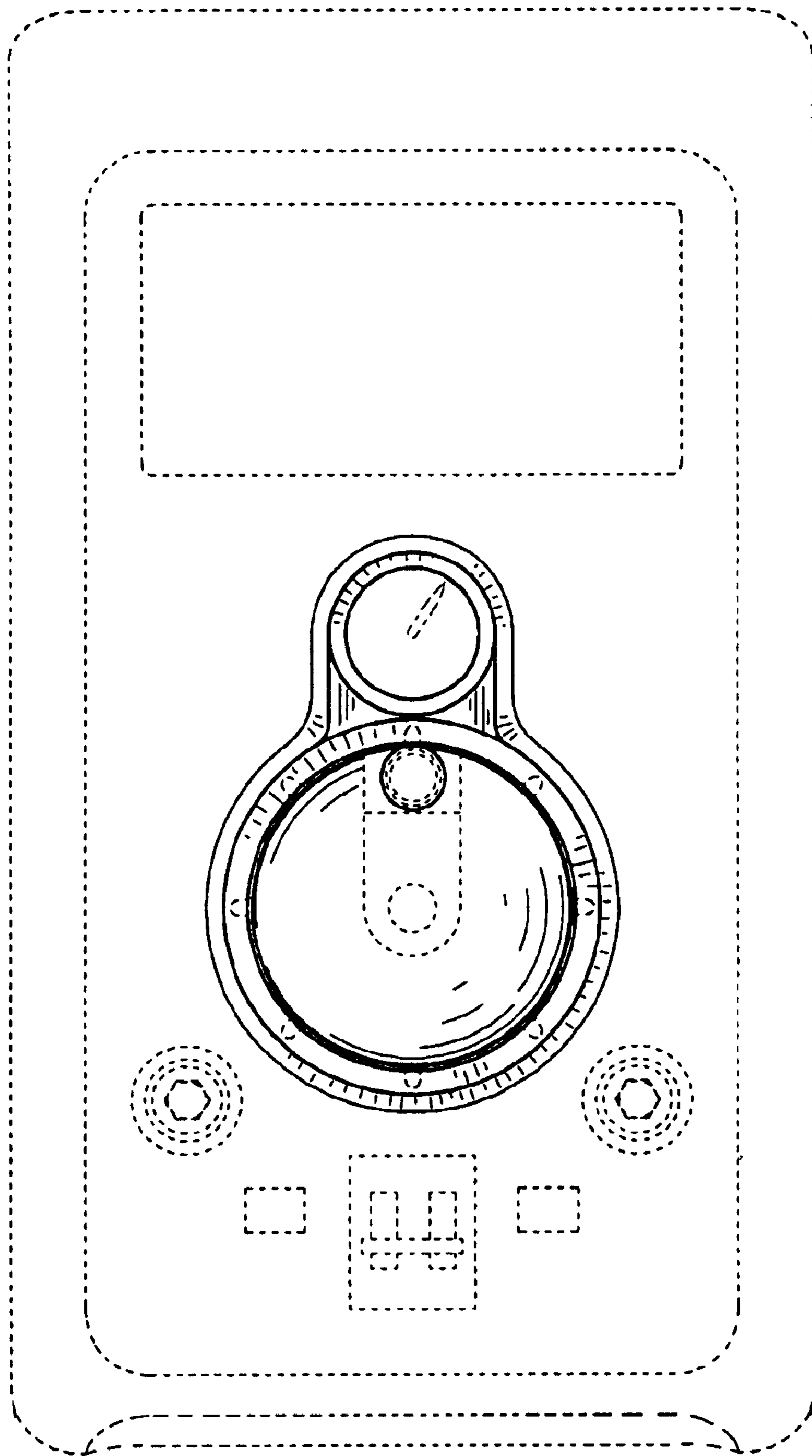


Fig.3